



US00D985543S

(12) **United States Design Patent** (10) **Patent No.:** **US D985,543 S**
Wei et al. (45) **Date of Patent:** **** May 9, 2023**

(54) **BRACKET**
(71) Applicant: **Anker Innovations Technology Co. Ltd., Changsha (CN)**

D645,152 S * 9/2011 Roggenkamp D8/366
D648,031 S * 11/2011 Roggenkamp D8/366
D650,082 S * 12/2011 Roggenkamp D8/366

(Continued)

(72) Inventors: **Jingxuan Wei, Shenzhen (CN); Zheng Wei, Shenzhen (CN)**

FOREIGN PATENT DOCUMENTS

KR 3020110020306 * 5/2011
KR 3020150024221 * 5/2015

(73) Assignee: **Anker Innovations Technology Co., Ltd., Changsha (CN)**

OTHER PUBLICATIONS

(**) Term: **15 Years**

Anker PowerConf H500 with Charging Stand, Date Visited: Jul. 22, 2022, Amazon, Date Available: Aug. 4, 2021, <https://www.amazon.com/Anker-Microphone-Transcription-AI-Enhanced-Compatible/dp/B09BVPT67Y/?th=1> (Year: 2021).*

(Continued)

(21) Appl. No.: **29/785,648**

(22) Filed: **May 26, 2021**

(51) **LOC (14) Cl.** **14-01**

(52) **U.S. Cl.**

USPC **D14/224; D8/354**

(58) **Field of Classification Search**

USPC D8/354, 358, 363, 366, 373, 375, 379, D8/382, 400-402, 404, 499, 46, 300, D8/321-322, 383-384, 387, 397, 399, D8/356, 364-365, 374, 376-377, D8/380-381; D11/89, 132, 93, 79, 80; D12/223, 414, 400, 406; D25/61, 102, D25/119-122, 133, 138, 140, 164, 199; D14/223-224.1

CPC H04R 1/026; H04R 1/02
See application file for complete search history.

Primary Examiner — Karen S Acker
Assistant Examiner — Elizabeth S Ko

(74) *Attorney, Agent, or Firm* — Banner & Witcoff, Ltd.

(57) **CLAIM**

The ornamental design for a bracket, as shown and described.

DESCRIPTION

FIG. 1 is a front top perspective view of a bracket showing our new design;
FIG. 2 is a rear bottom perspective view thereof;
FIG. 3 is a front view thereof;
FIG. 4 is a rear view thereof;
FIG. 5 is a left side view thereof;
FIG. 6 is a right side view thereof;
FIG. 7 is a top view thereof;
FIG. 8 is a bottom view thereof; and,
FIG. 9 is an enlarged view of the encircled portion 9 indicated in FIG. 7.

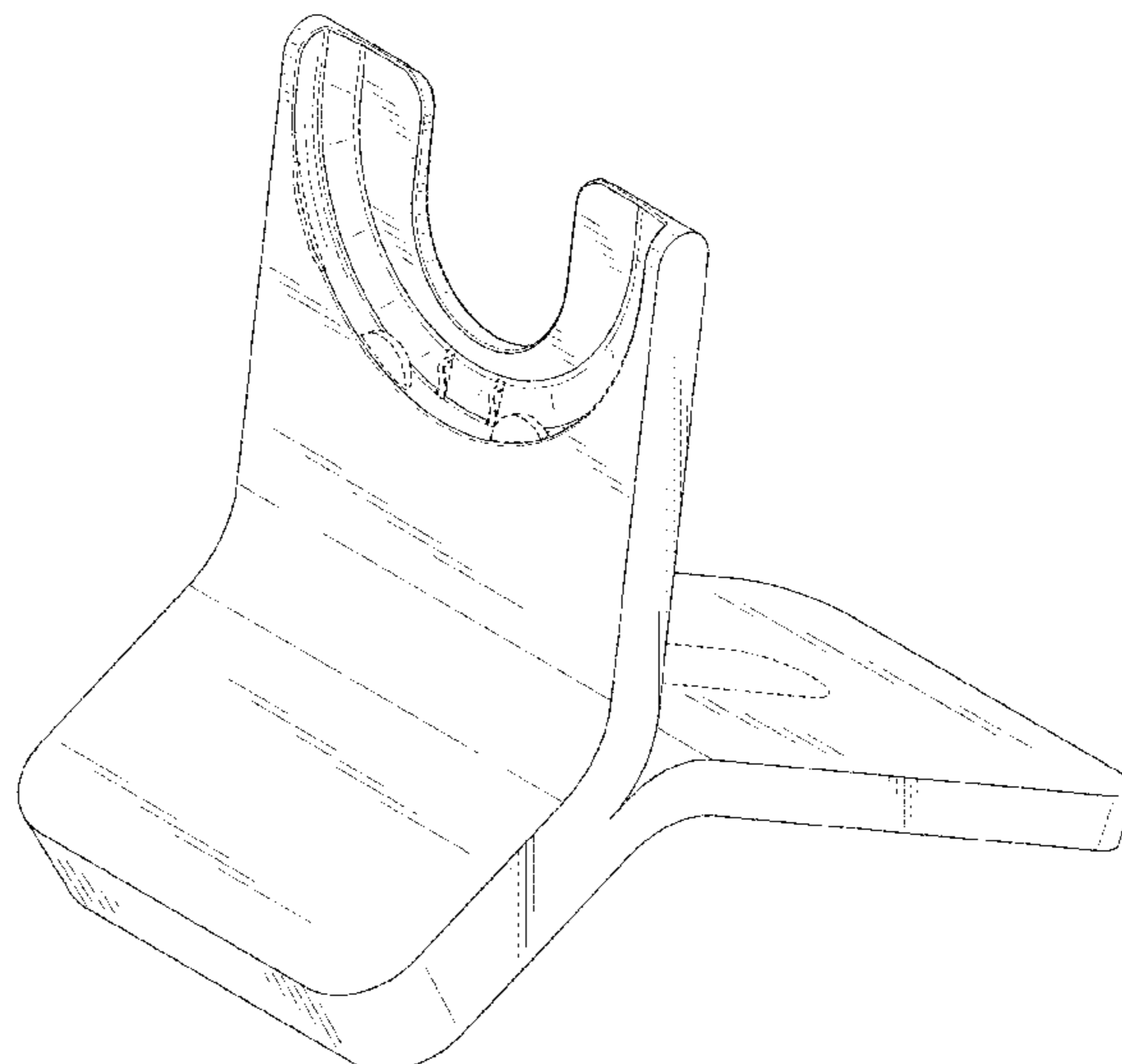
The broken lines depict portions of the bracket that form no part of the claimed design. The dot-dash broken lines depict the boundaries of the enlarged detail view and form no part of the claimed design.

1 Claim, 9 Drawing Sheets

(56) **References Cited**

U.S. PATENT DOCUMENTS

D387,784 S * 12/1997 Nakamura D14/224
D393,789 S * 4/1998 King, Jr. D8/71
D400,081 S * 10/1998 Ibaragi D8/354
D419,854 S * 2/2000 Brousseau D8/354
D627,624 S * 11/2010 Brassard D8/363
D645,149 S * 9/2011 Roggenkamp D8/366
D645,150 S * 9/2011 Roggenkamp D8/366
D645,151 S * 9/2011 Roggenkamp D8/366



(56)

References Cited

U.S. PATENT DOCUMENTS

D650,483 S * 12/2011 Roggenkamp D8/366
D765,623 S * 9/2016 Yang D14/224
D806,525 S * 1/2018 Honein D8/363
D818,994 S * 5/2018 Yun D14/224
D834,562 S * 11/2018 Davids D14/224
D835,078 S * 12/2018 Yun D14/224
D835,611 S * 12/2018 Yun D14/224
D868,753 S * 12/2019 Kolton D14/224
D898,000 S * 10/2020 Kelley D14/224
D931,712 S * 9/2021 Lagnese, Sr. D8/354
D934,056 S * 10/2021 Ainge D8/354
D937,073 S * 11/2021 Chapagain D8/354
D945,198 S * 3/2022 Hughes D6/716.5
D952,612 S * 5/2022 Malone D14/224
D956,022 S * 6/2022 Turksu D14/224

OTHER PUBLICATIONS

Anker PowerConf H700—AnkerWork, Date Visited: Jul. 22, 2022, AnkerWork, Date Available: Jul. 22, 2022, <https://us.ankerwork.com/products/a3510032> (Year: 2022).*

Anker PowerConf H500 Review—Tech on the Go, Date Visited: Jul. 22, 2022, Tech on the Go, Date Available: Mar. 22, 2022, <https://techonthego.co.uk/2022/03/anker-powerconf-h500-review-28105> (Year: 2022).*

AnkerWorks PowerConf H700 Review, Date Visited: Jul. 22, 2022, Gadget Explained, Date Available: Dec. 9, 2021, <https://www.gadgetexplained.com/2021/12/ankerworks-powerconf-h700-review.html> (Year: 2021).*

* cited by examiner

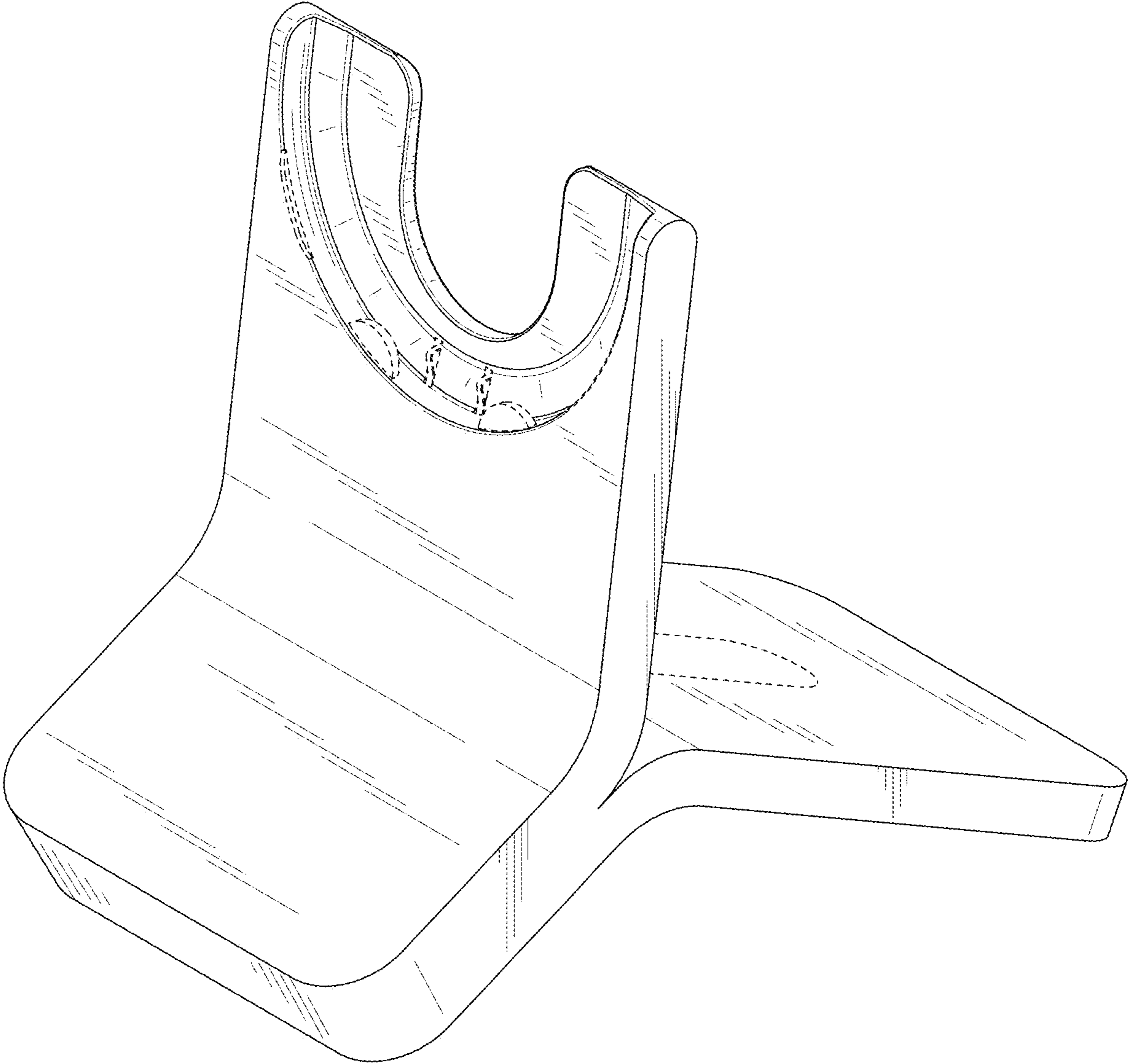


FIG. 1

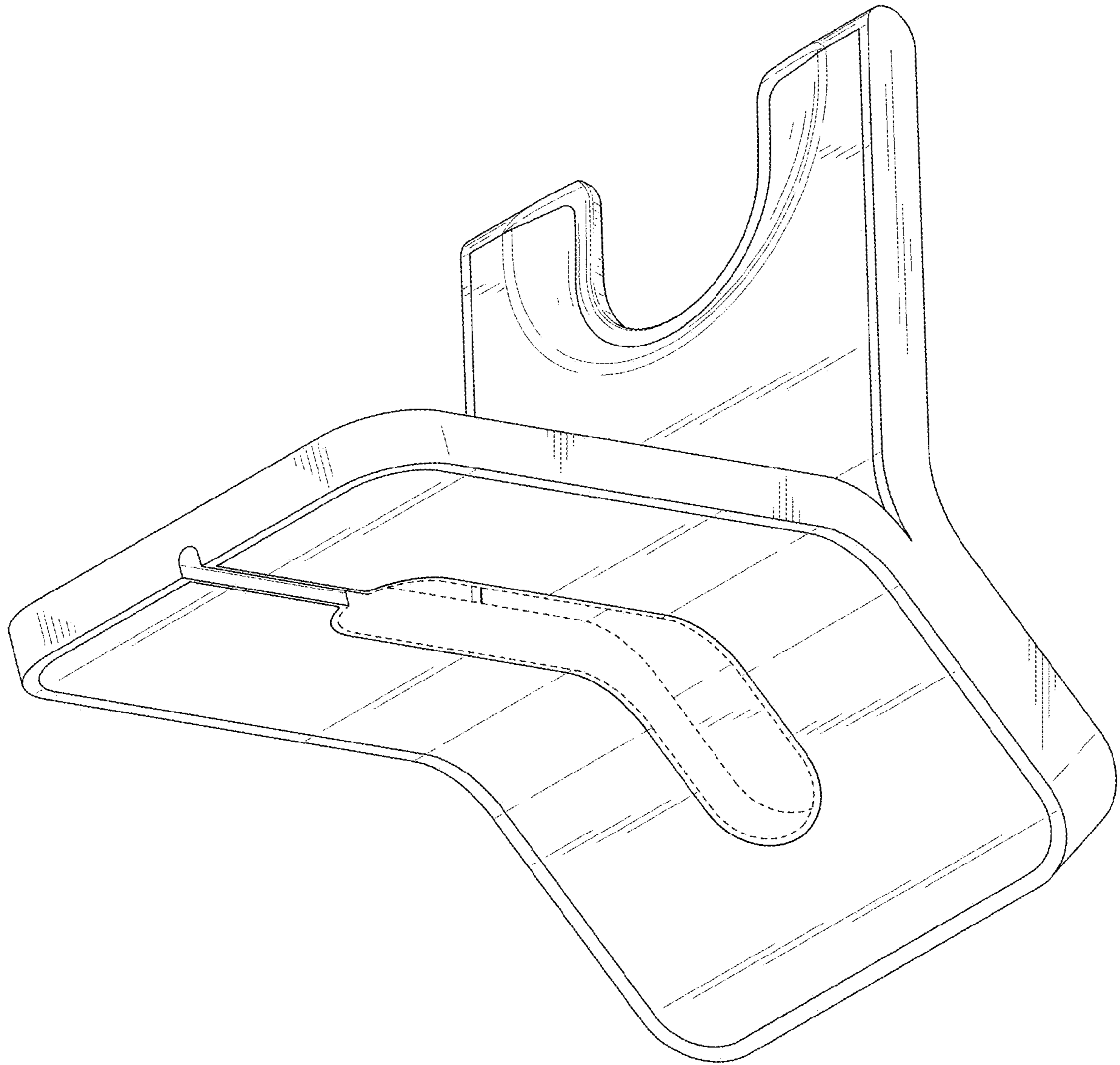


FIG. 2

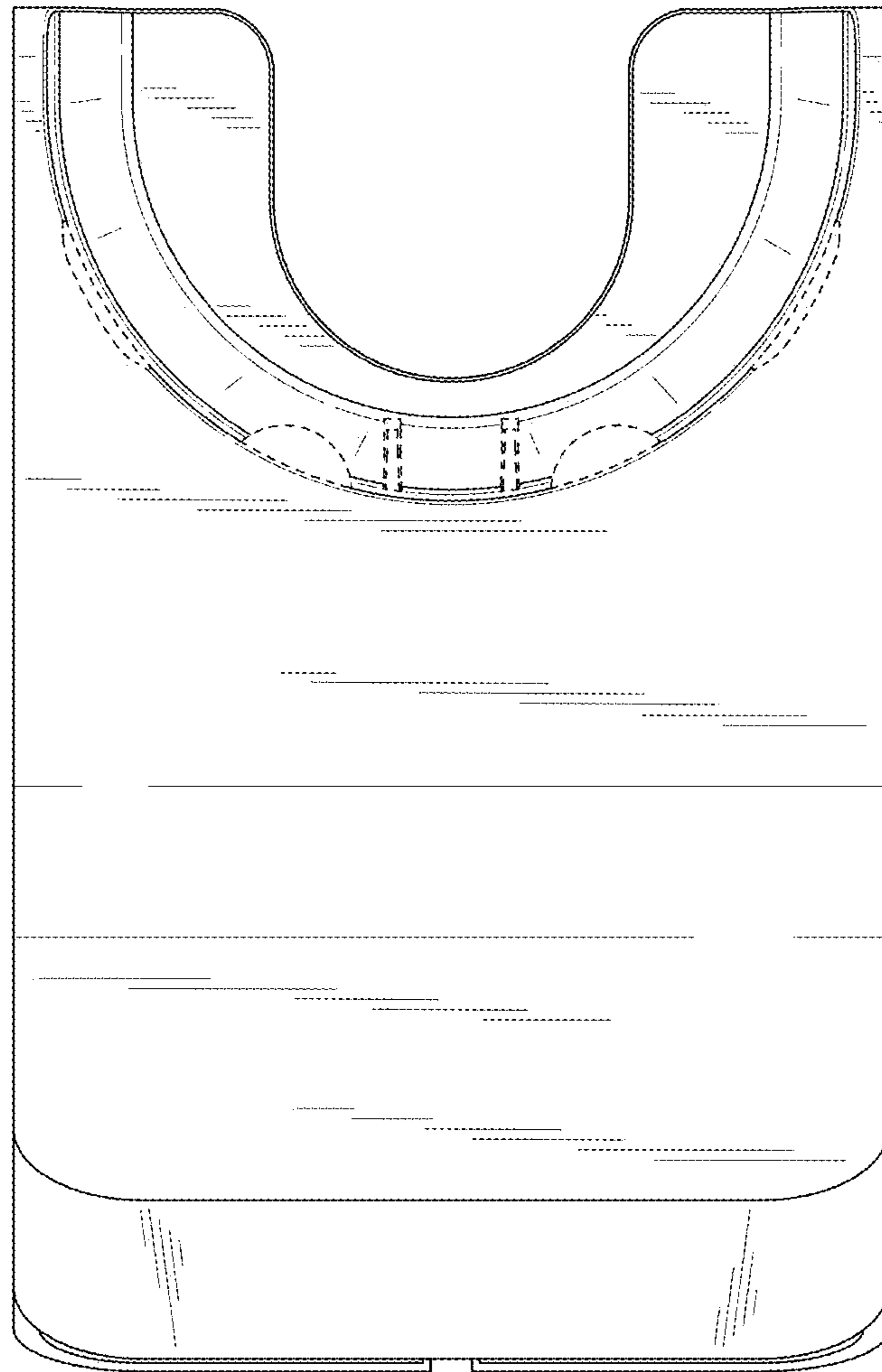


FIG. 3

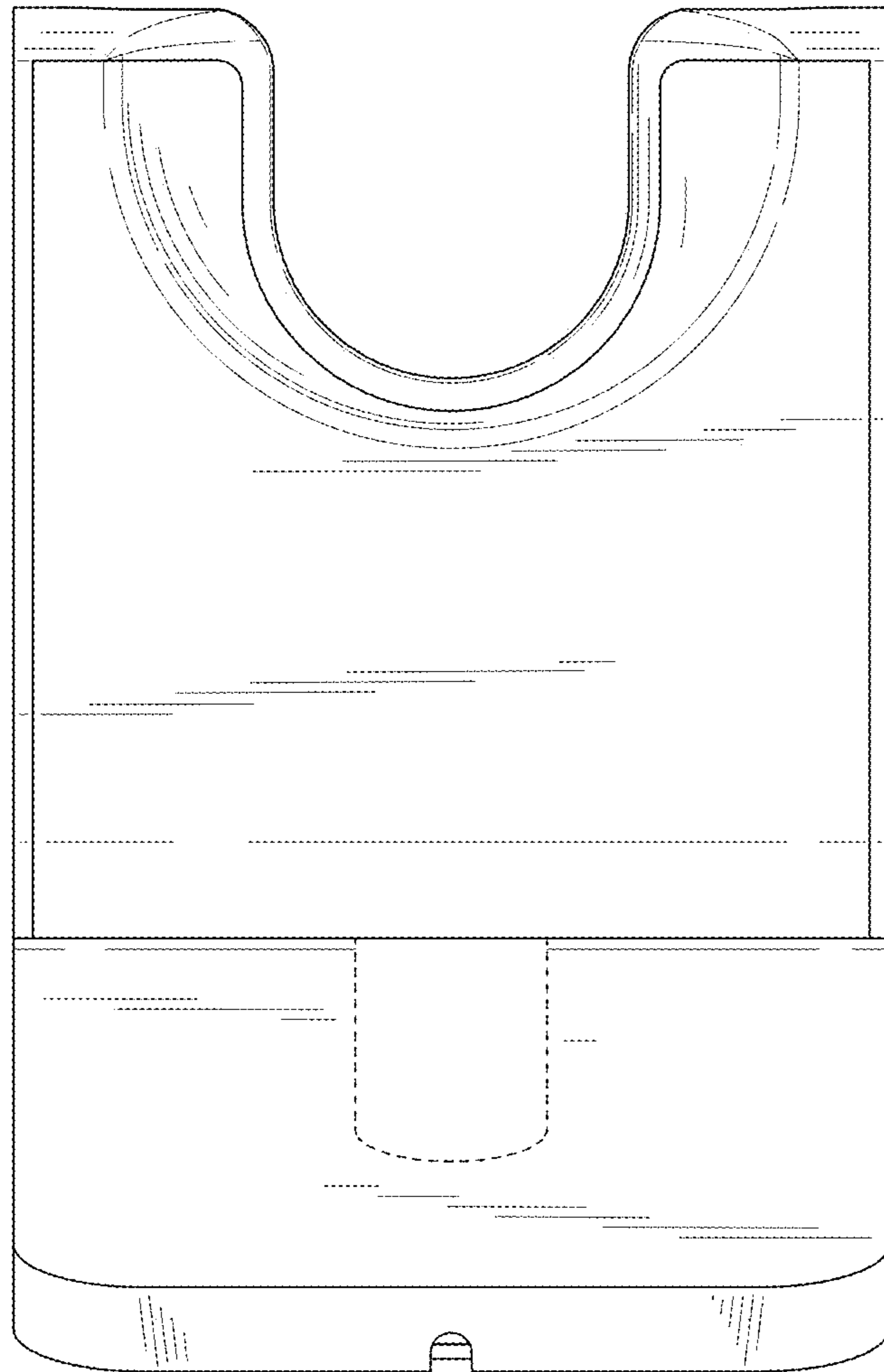


FIG. 4

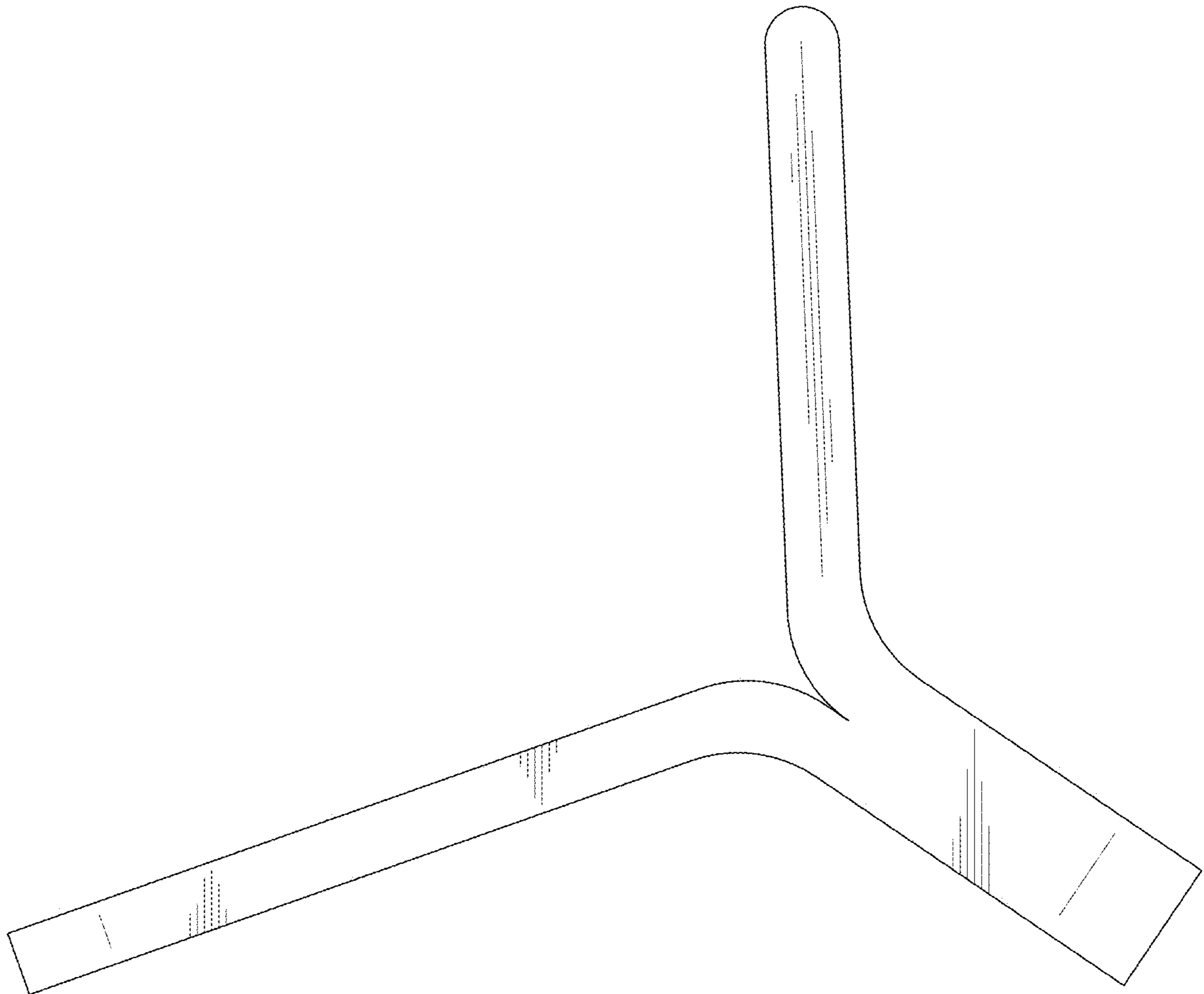


FIG. 5

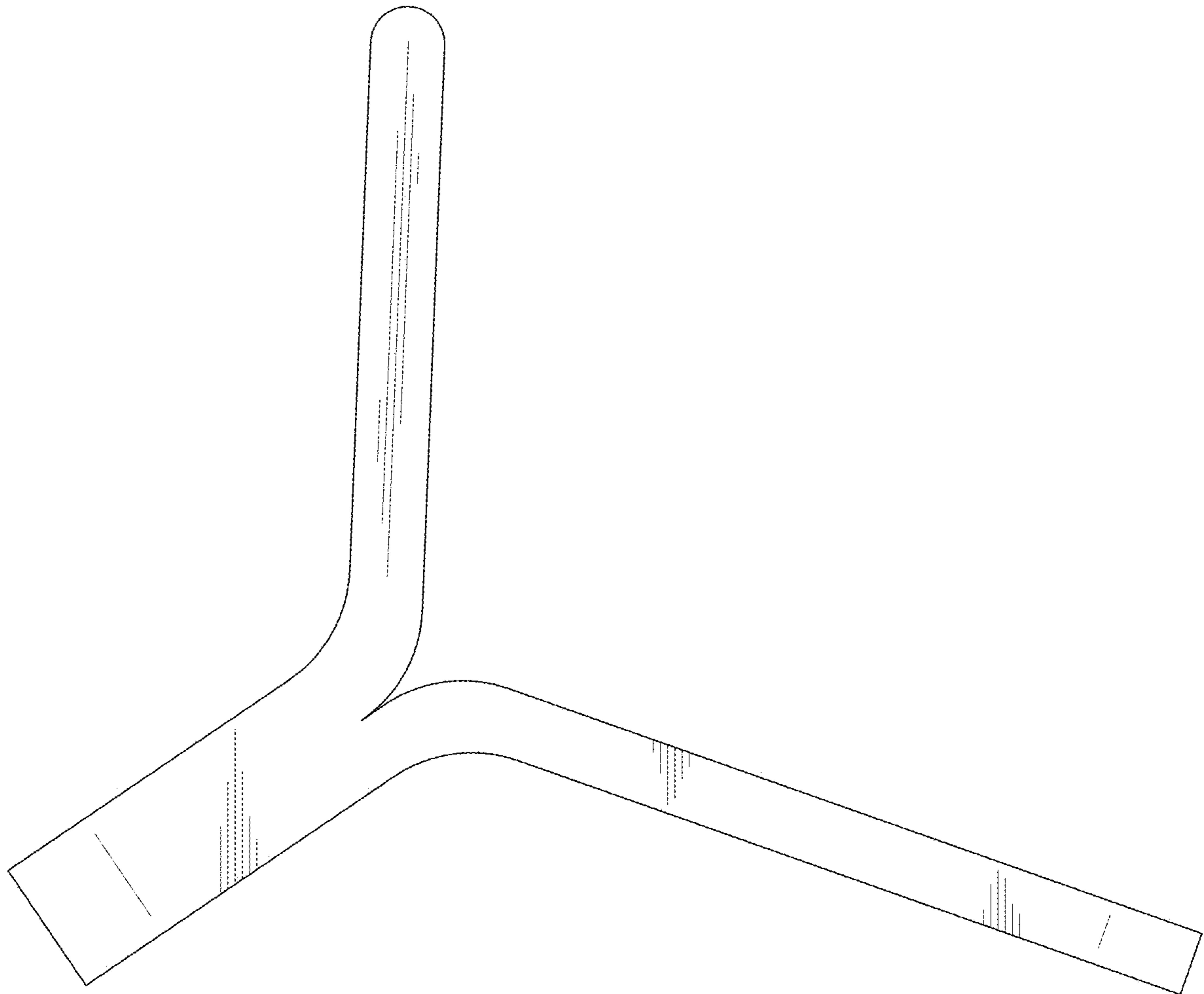


FIG. 6

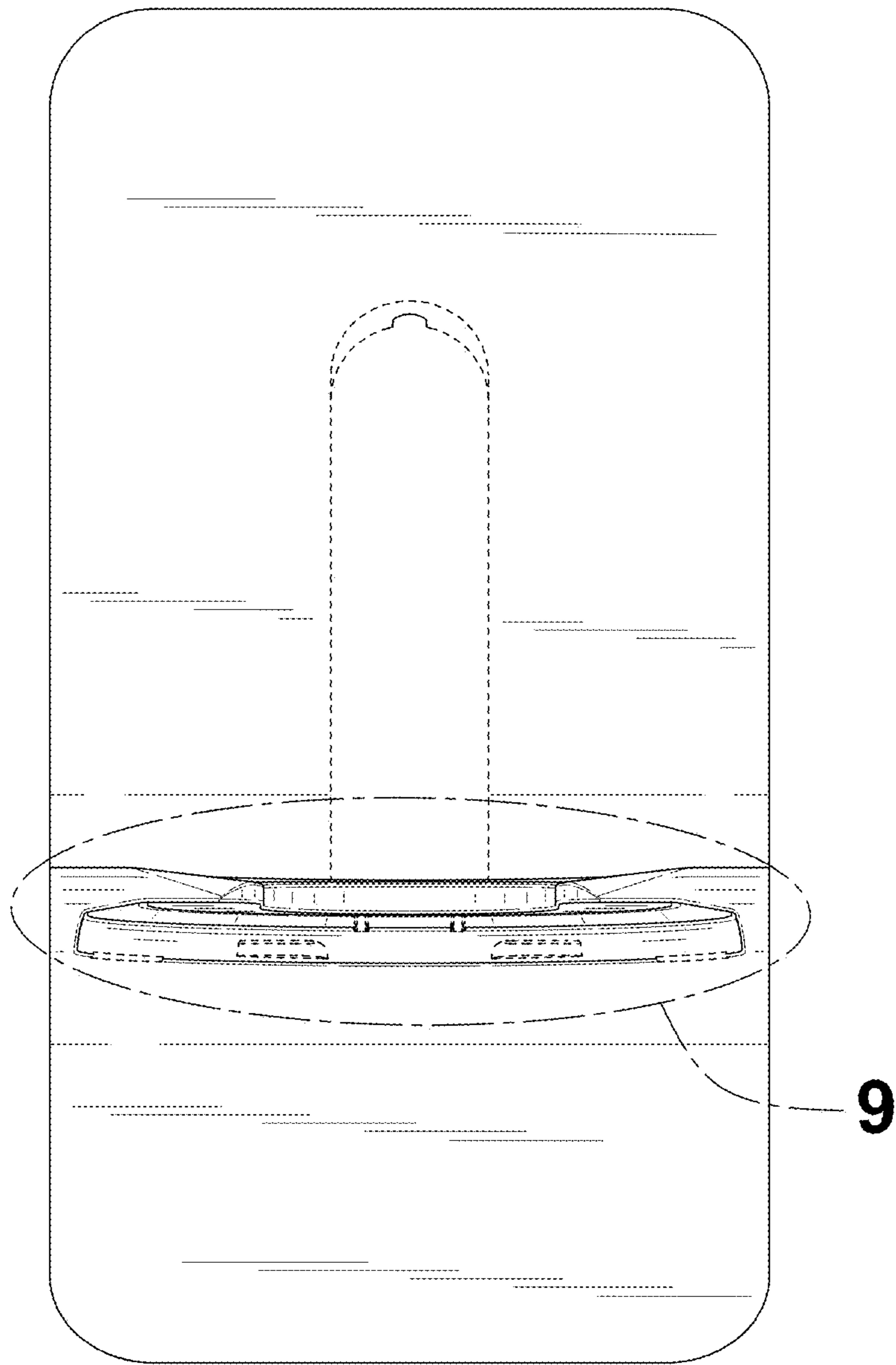


FIG. 7

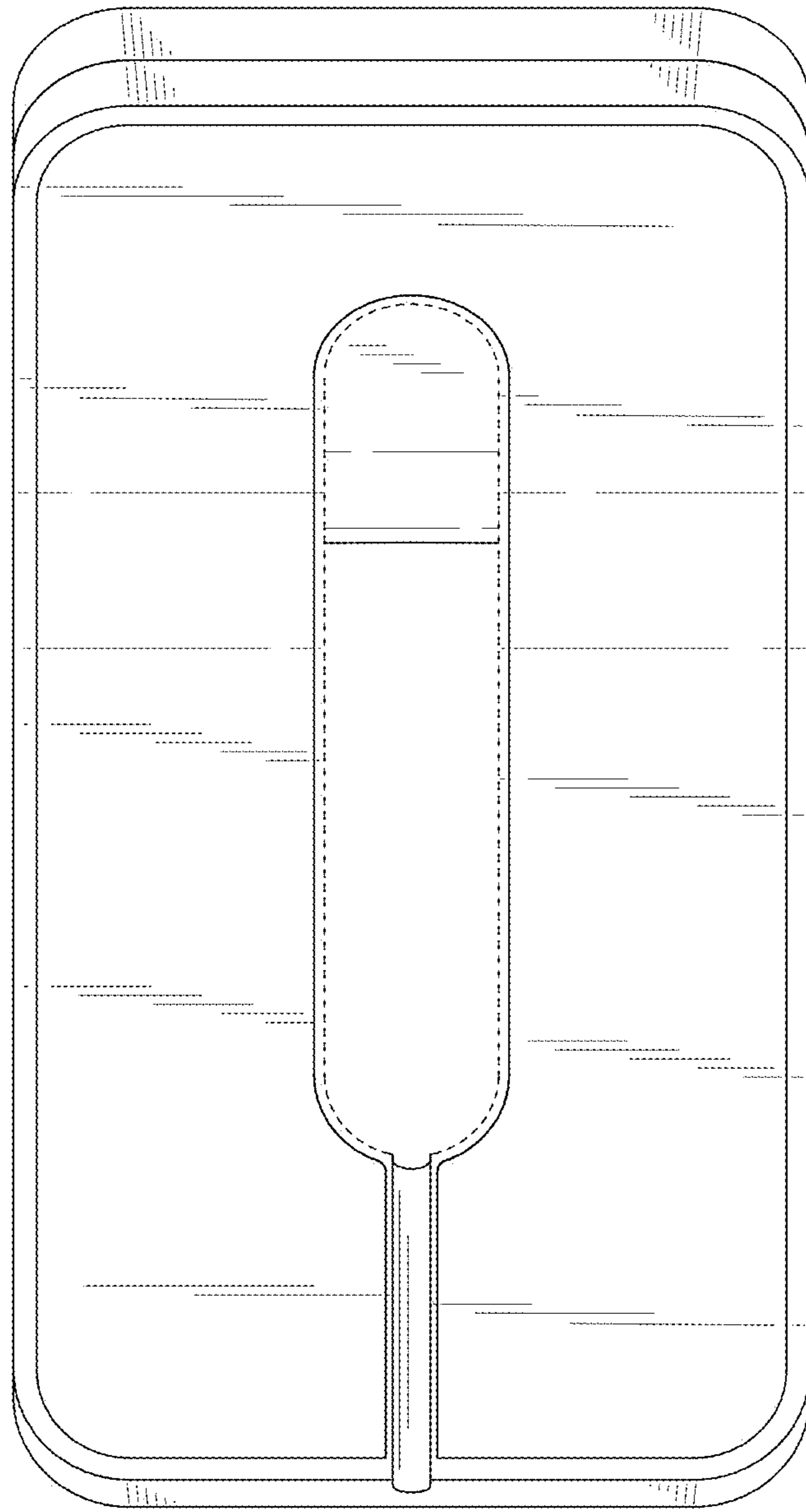


FIG. 8

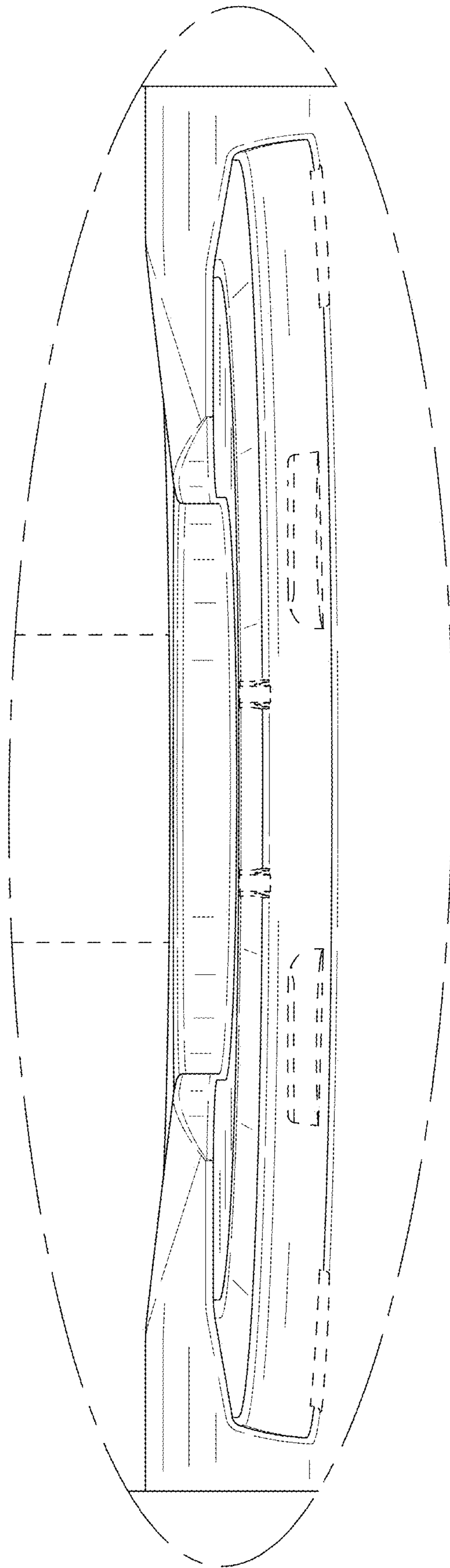


FIG. 9