



US00D985541S

(12) **United States Design Patent**
Sun et al.

(10) **Patent No.:** **US D985,541 S**

(45) **Date of Patent:** **** May 9, 2023**

(54) **EARPHONE**

FOREIGN PATENT DOCUMENTS

(71) Applicant: **1MORE INC.**, Shenzhen (CN)

CN 304236115 * 8/2017
CN 304788375 * 8/2018

(72) Inventors: **Xin Sun**, Guangdong (CN); **Shichen Xu**, Guangdong (CN)

(Continued)

(73) Assignee: **1MORE INC.**, Shenzhen (CN)

OTHER PUBLICATIONS

(**) Term: **15 Years**

(21) Appl. No.: **29/755,676**

Abramtek E8, first available Feb. 20, 2022 [online], [retrieved Apr. 6, 2022]. Available from the Internet, URL:<https://www.amazon.com/dp/B09SWNNWQH/ref=cm_sw_em_r_mt_dp_QBM6CKEQWP850WK3FTN1?_encoding=UTF8&psc=1>. (Year: 2022).*

(22) Filed: **Oct. 22, 2020**

(Continued)

(51) **LOC (14) Cl.** **14-01**

(52) **U.S. Cl.**

USPC **D14/223**

(58) **Field of Classification Search**

USPC D14/205, 207, 217, 221, 225, 216, 223,
D14/224.1; D24/106, 173, 174; D29/112

CPC H04R 1/10; H04R 1/1016; H04R 1/1066;
H04R 1/105; H04R 1/1033; H04R 1/08;
H04R 5/033; H04R 5/0335; H04R 25/00

See application file for complete search history.

Primary Examiner — Dana K Weiland

Assistant Examiner — Russell Carnell Smith, Jr.

(74) *Attorney, Agent, or Firm* — Andrew C. Cheng

(57)

CLAIM

We claim the ornamental design for an earphone, as shown and described.

(56) **References Cited**

U.S. PATENT DOCUMENTS

D774,490 S * 12/2016 Lin D14/205
D806,879 S * 1/2018 Horbinski D24/174
D841,627 S * 2/2019 Wen D14/223
D847,126 S * 4/2019 Loermann D14/223
D866,530 S * 11/2019 Birger D14/223
D871,376 S * 12/2019 Zhou D14/223
D875,714 S * 2/2020 Kim D14/205
D888,691 S * 6/2020 Liu D14/223
D889,441 S * 7/2020 Lin D14/223
D892,086 S * 8/2020 Bonahoom D14/223
D892,769 S * 8/2020 Cai D14/223
D897,319 S * 9/2020 Wang D14/223
D897,322 S * 9/2020 Wei D14/223
D902,182 S * 11/2020 Wang D14/223
10,827,249 B1 * 11/2020 Pine H04R 1/1041
D903,638 S * 12/2020 Li D14/223
D918,181 S * 5/2021 Bailey D14/223

(Continued)

DESCRIPTION

FIG. 1 is a first perspective view of an earphone showing our new design according to a first embodiment;

FIG. 2 is a second perspective view of FIG. 1, viewed in another aspect;

FIG. 3 is a front view thereof;

FIG. 4 is a rear view thereof;

FIG. 5 is a left side view thereof;

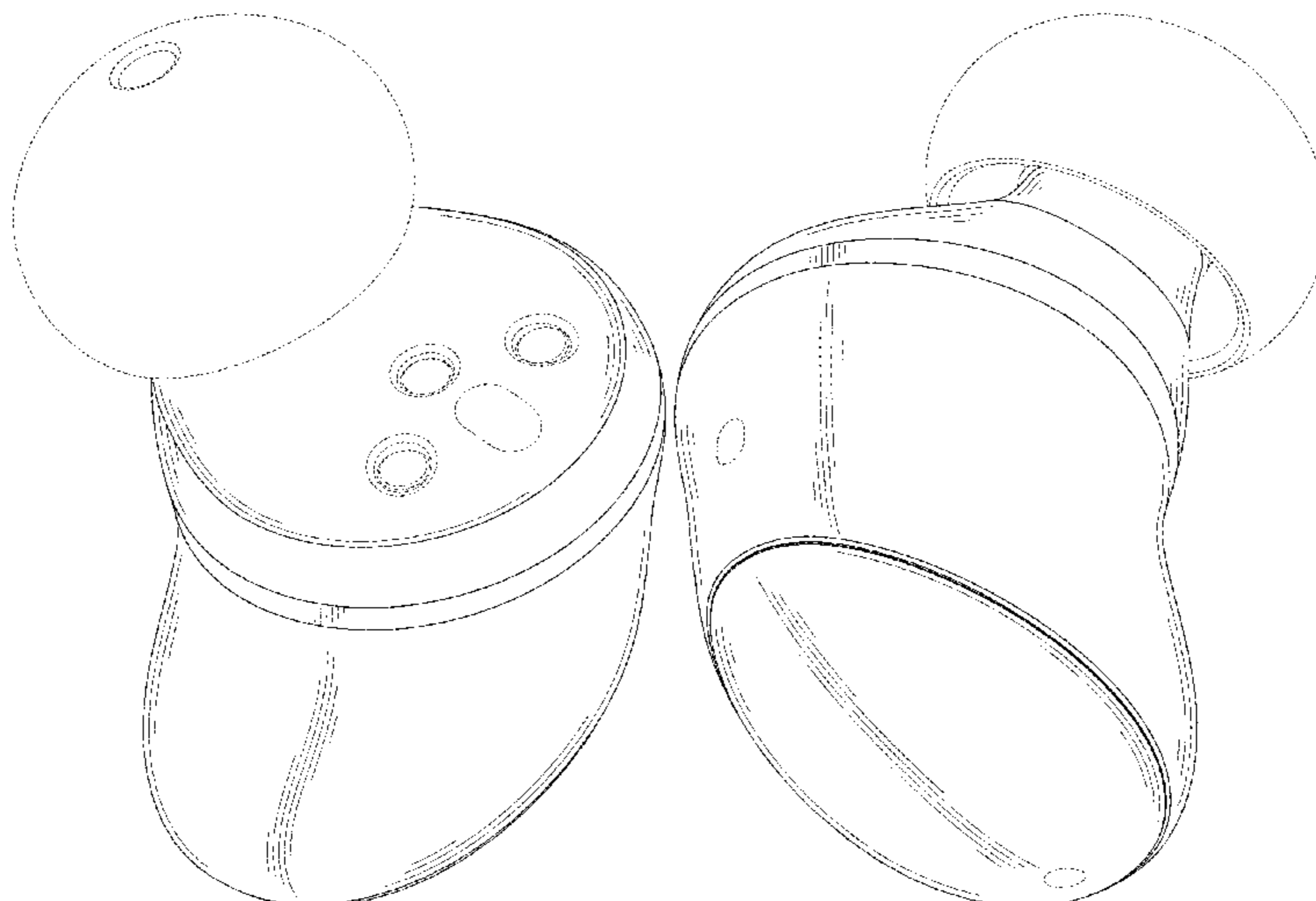
FIG. 6 is a right side view thereof;

FIG. 7 is a top view thereof; and,

FIG. 8 is a bottom view thereof.

The broken lines depict portions of the earphone in which the design is embodied that form no part of the claimed design.

1 Claim, 8 Drawing Sheets



(56)

References Cited

U.S. PATENT DOCUMENTS

D918,873 S * 5/2021 Deng D14/223
 D922,358 S * 6/2021 Li D14/223
 D928,124 S * 8/2021 Liu D14/223
 D929,378 S * 8/2021 Li D14/223
 D930,617 S * 9/2021 Tanaka D14/223
 D938,941 S * 12/2021 Iwahori D14/223
 D940,108 S * 1/2022 Wu D14/223
 D941,275 S * 1/2022 Liu D14/223
 D951,236 S * 5/2022 Laffon de Mazieres D14/223
 D954,027 S * 6/2022 Chen D14/223
 D961,556 S * 8/2022 Hong D14/223
 D964,322 S * 9/2022 Miyata D14/223
 D968,368 S * 11/2022 Li D14/223
 D971,185 S * 11/2022 Li D14/223
 D971,888 S * 12/2022 Li D14/223
 D973,637 S * 12/2022 Rose D14/223

FOREIGN PATENT DOCUMENTS

CN 305743727 S 4/2020
 CN 306391080 * 3/2021

OTHER PUBLICATIONS

1More ColorBuds, first available Jun. 24, 2020 [online], [retrieved Jun. 3, 2022]. Available from the Internet, URL:<https://www.amazon.com/dp/B08BRNPYFJ?ref_=cm_sw_r_cp_ud_dp_DVC954SNF4F3MWA4PXQ8>. (Year: 2020).*
 Koseton E9, first available Sep. 9, 2020 [online], [retrieved Jun. 3, 2022]. Available from the Internet, URL:<https://www.amazon.com/dp/B08HQ6XN6D?ref_=cm_sw_r_cp_ud_dp_Q6DDAC0AKEH87K5D1VYS>. (Year: 2020).*

* cited by examiner

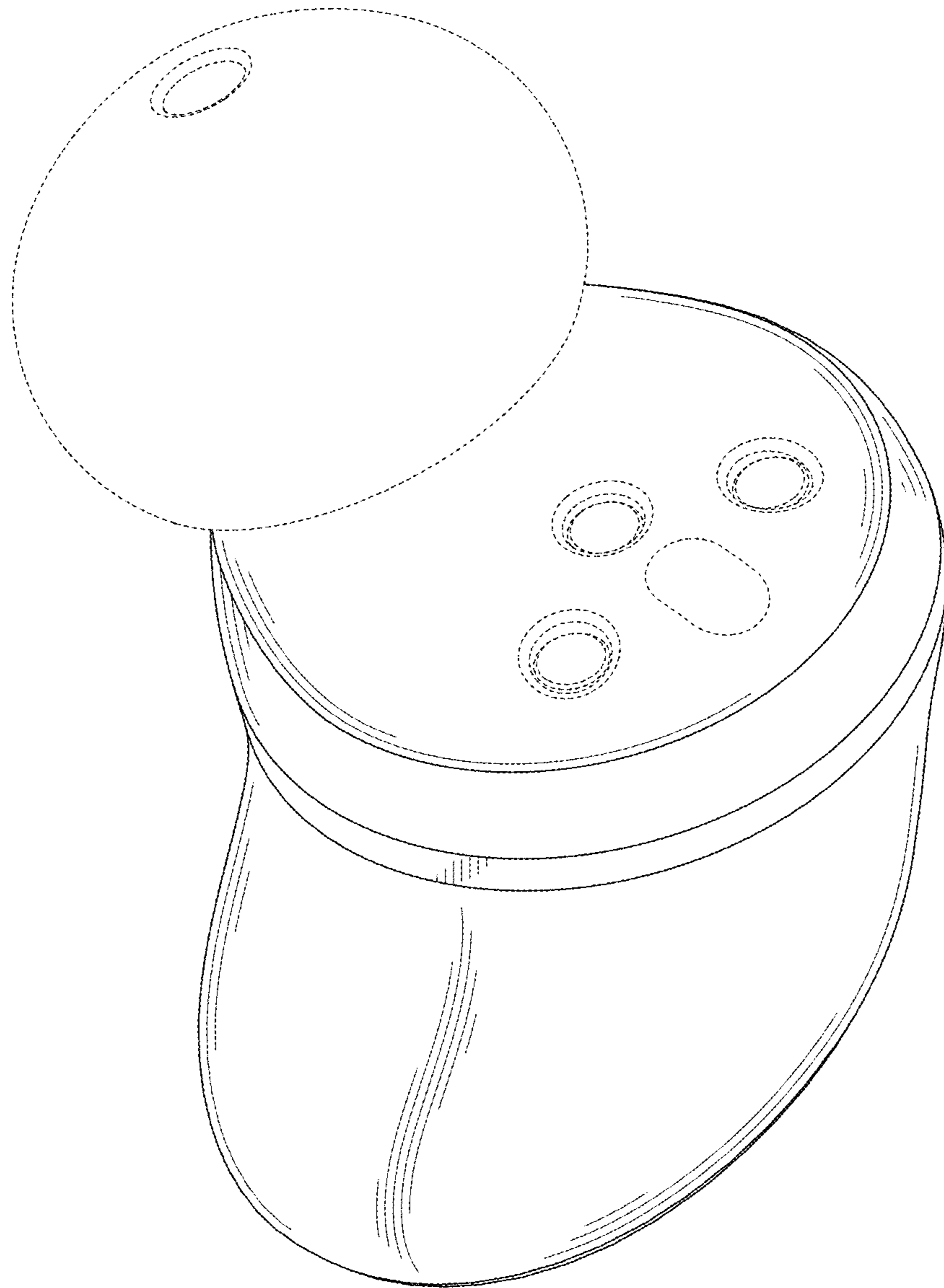


FIG. 1

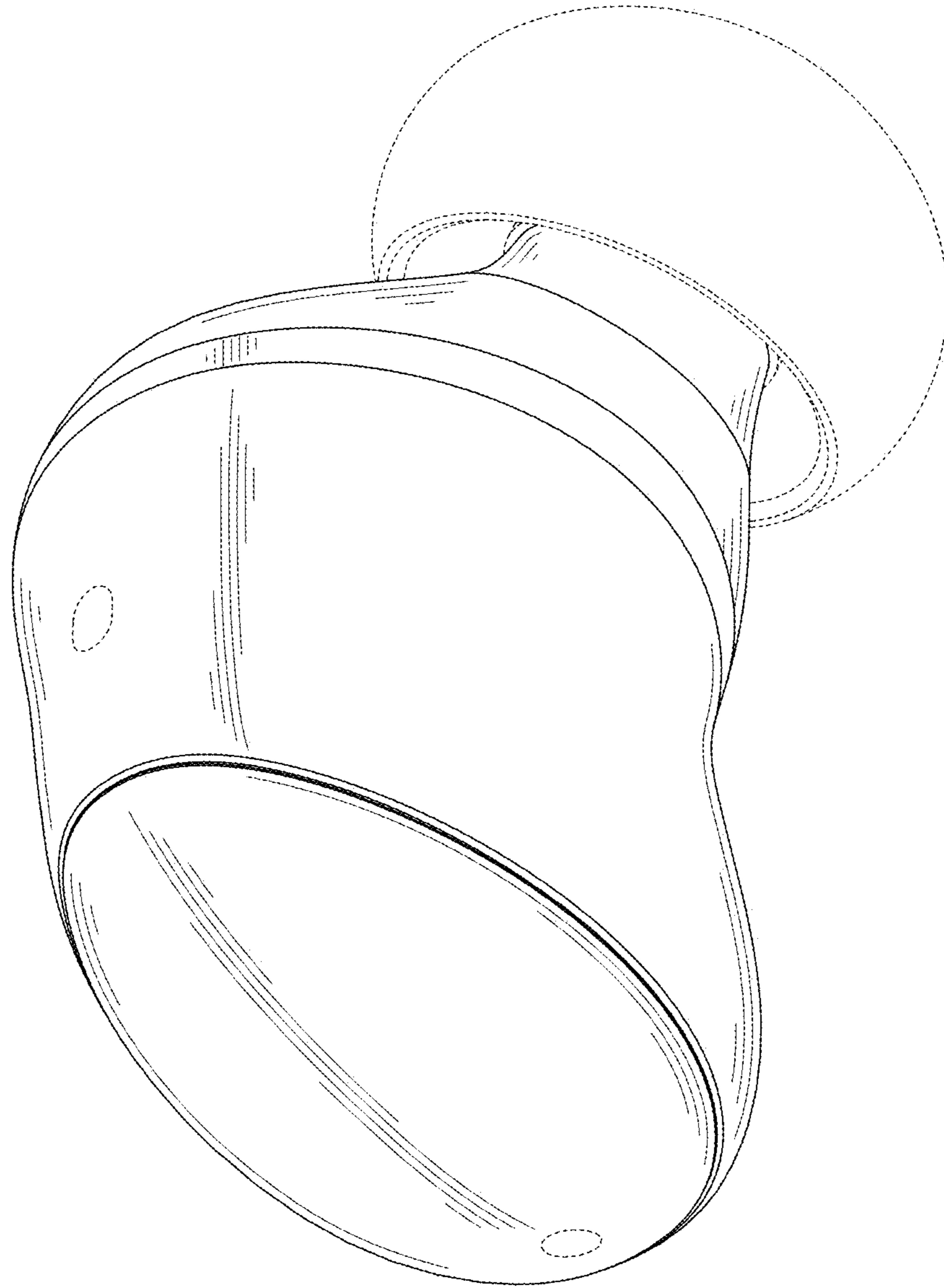


FIG. 2

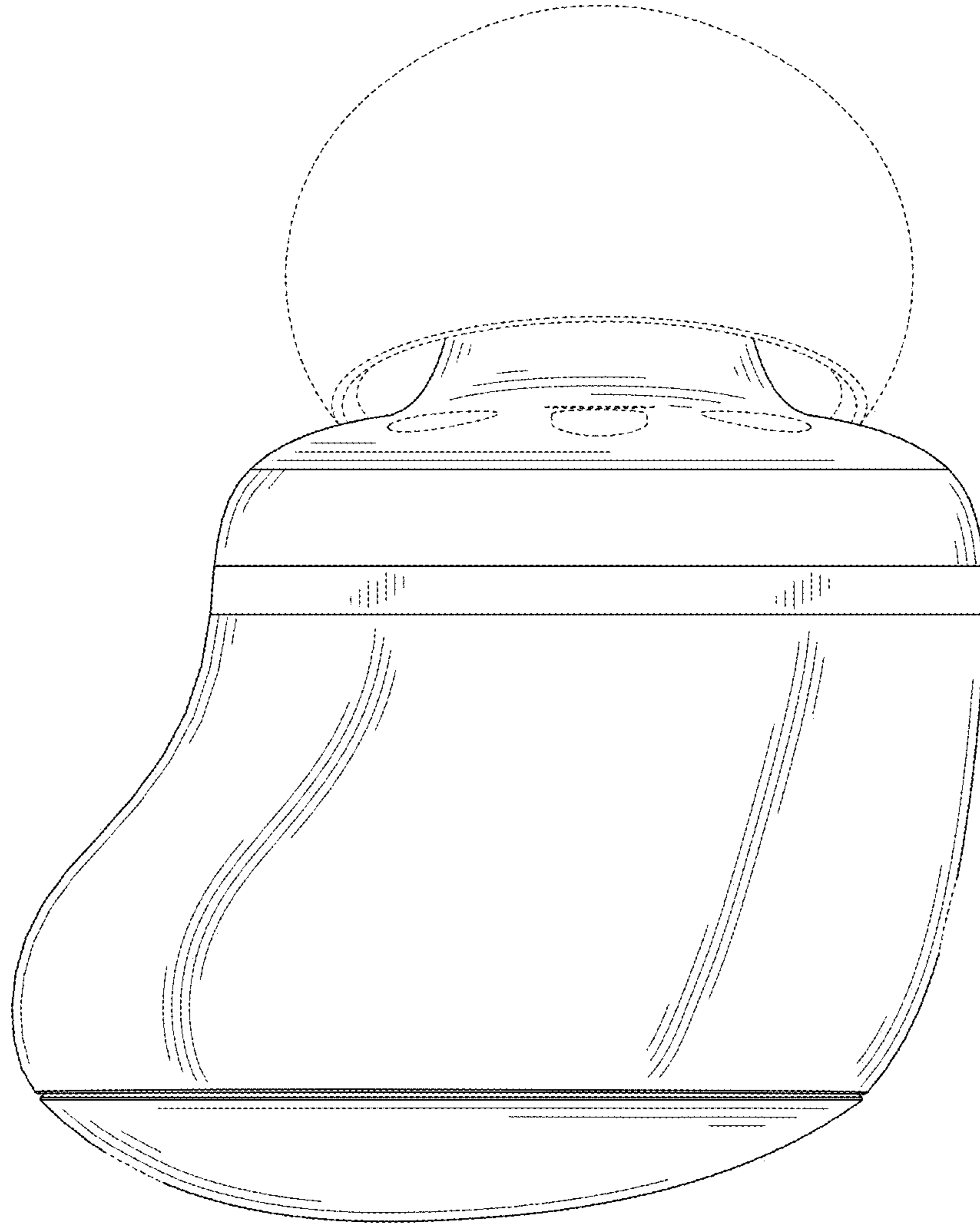


FIG. 3

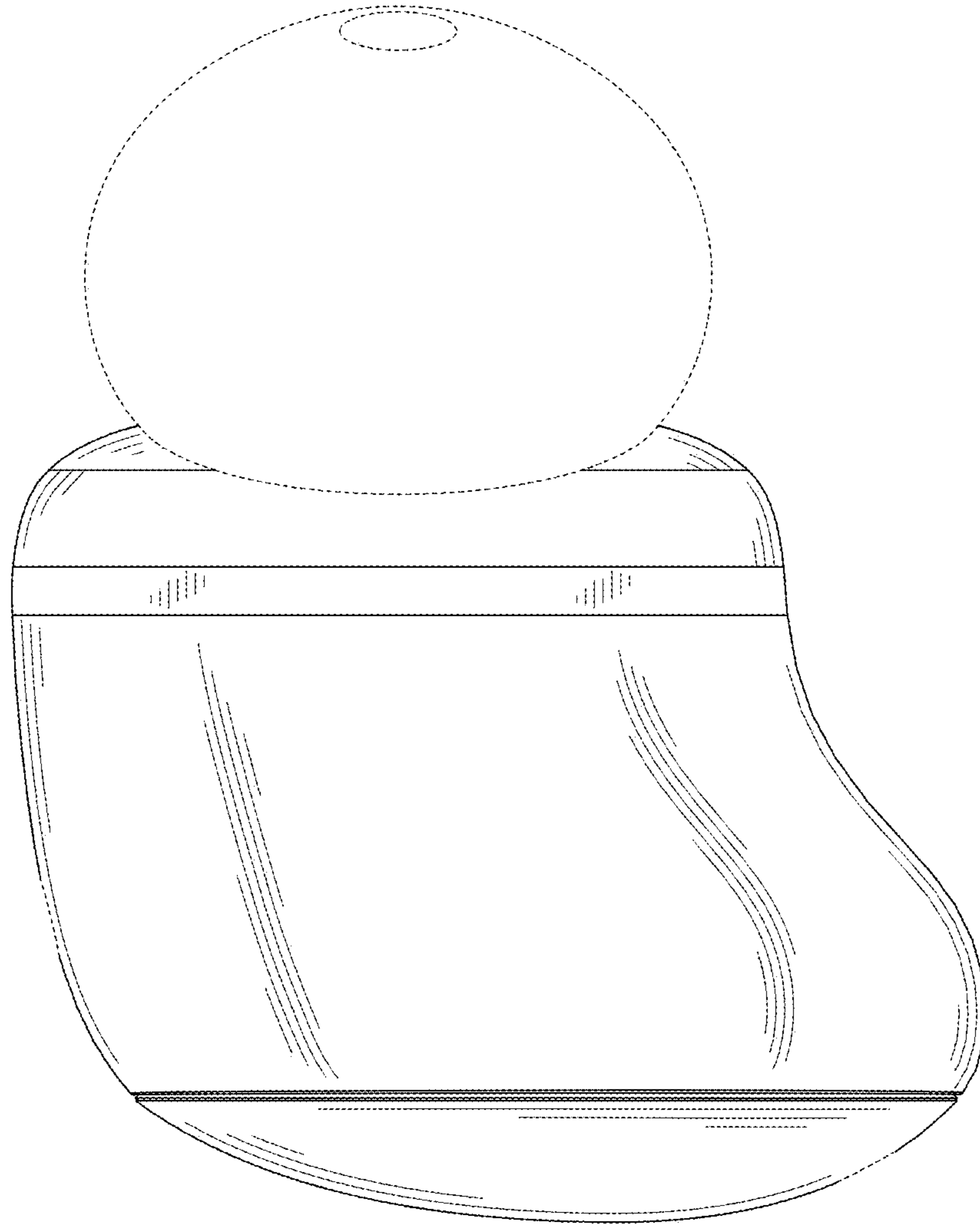


FIG. 4

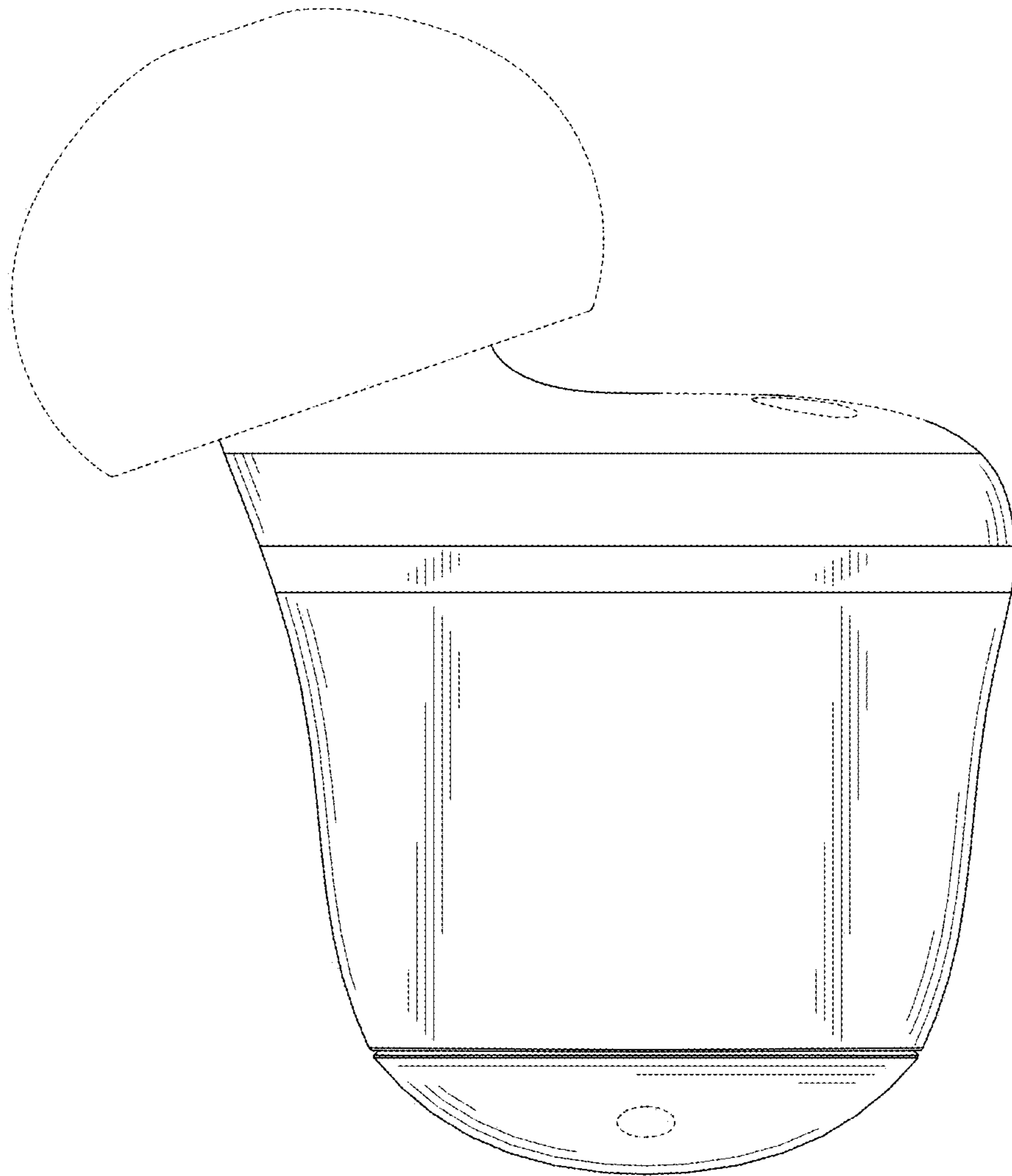


FIG. 5

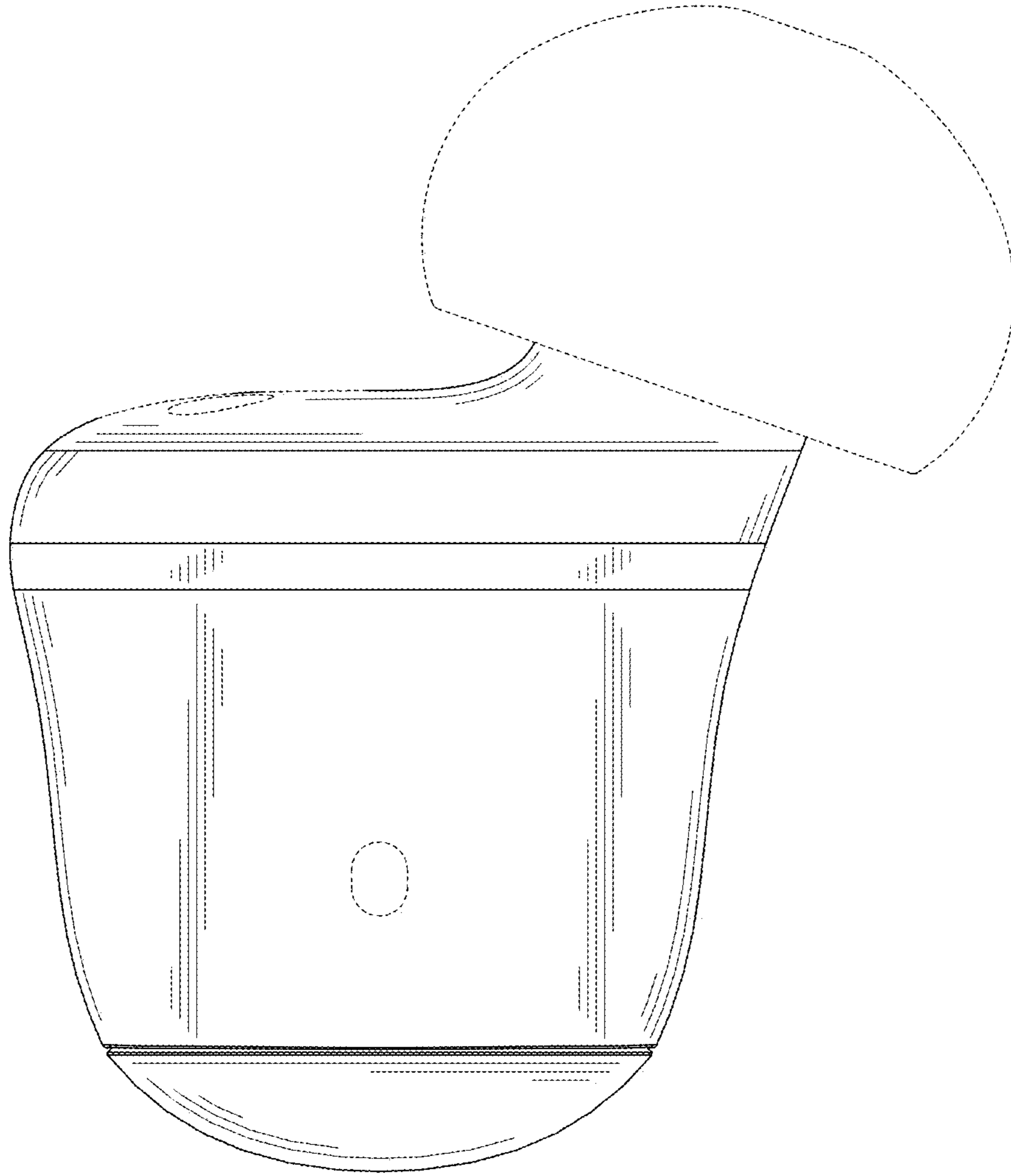


FIG. 6

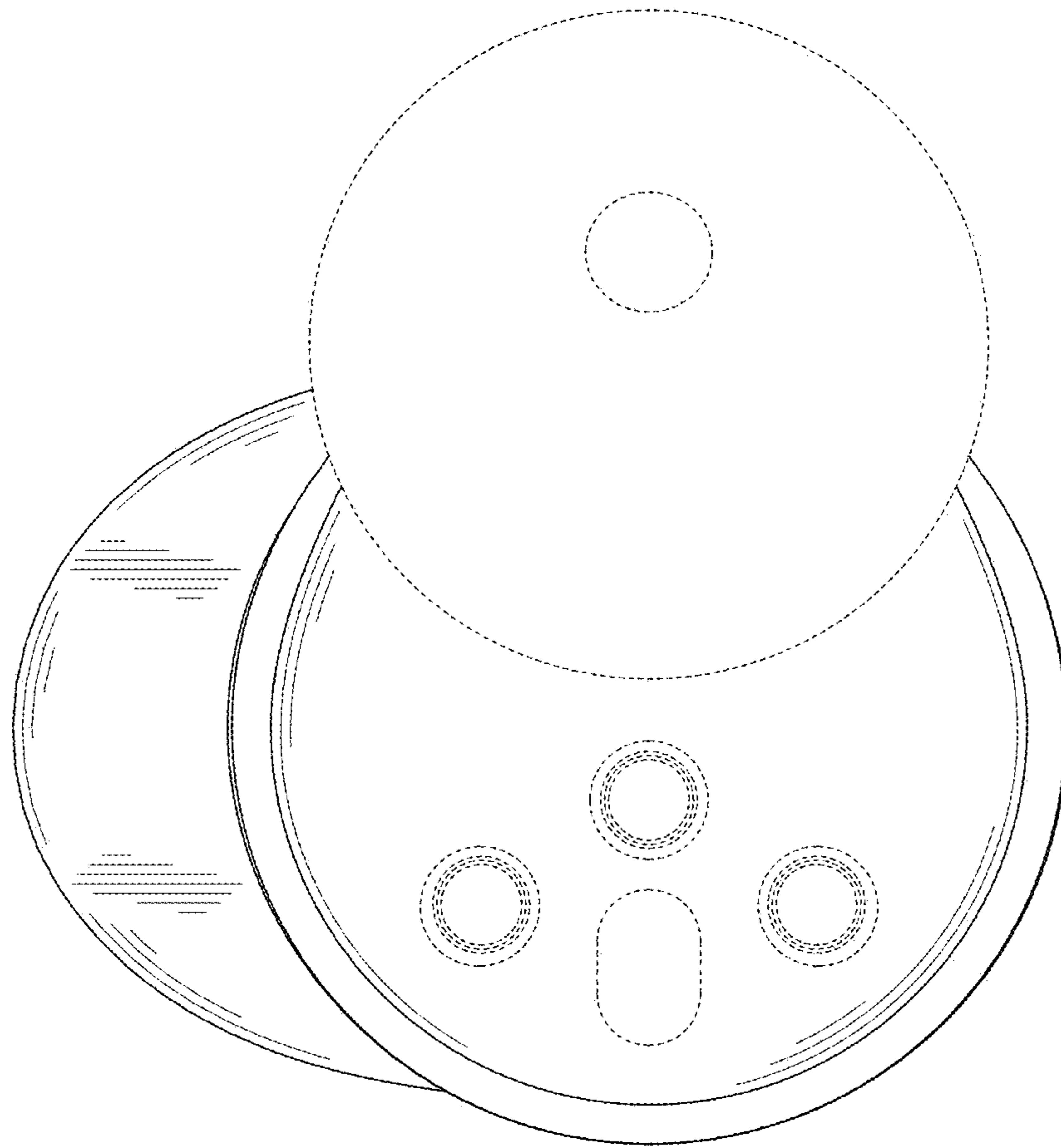


FIG. 7

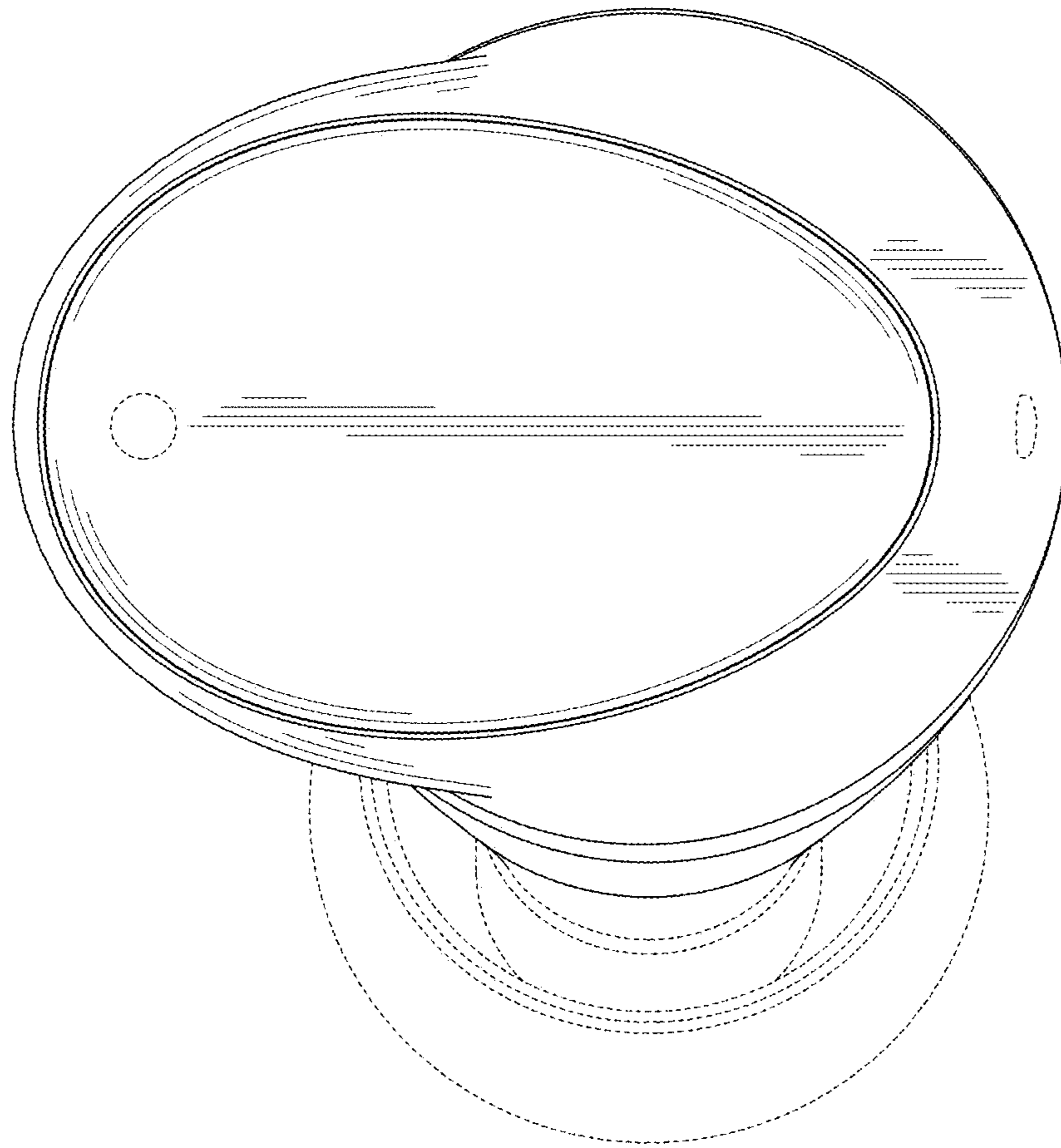


FIG. 8