



US00D985539S

(12) **United States Design Patent** (10) **Patent No.:** **US D985,539 S**  
**Yang** (45) **Date of Patent:** **\*\* May 9, 2023**

(54) **WIRELESS PRESENTER**

FOREIGN PATENT DOCUMENTS

(71) Applicant: **Renping Yang**, Huizhou (CN)

CN 305286373 \* 8/2019  
EM 000683206-0006 \* 4/2007

(72) Inventor: **Renping Yang**, Huizhou (CN)

(Continued)

(\*\*) Term: **15 Years**

OTHER PUBLICATIONS

(21) Appl. No.: **29/848,644**

Ubuyone Store, "Wireless Presenter Remote . . .", available at amazon.com, date first available Sep. 23, 2021, site visited Jan. 26, 2023, available at URL: <https://a.co/d/9z6pJvL> (Year: 2021).\*

(22) Filed: **Aug. 4, 2022**

(Continued)

(51) **LOC (14) Cl.** ..... **14-03**

(52) **U.S. Cl.**

USPC ..... **D14/218**

(58) **Field of Classification Search**

USPC ..... D14/218, 454, 499, 496, 400, 401, 432,  
D14/455, 456, 511, 217, 238.1, 399;  
D21/333; D13/168, 171, 173-184

CPC ..... A63F 13/24; A63F 13/213; A63F 13/214;  
A63F 13/00; A63F 13/212; A63F 13/20;  
G06F 3/014; G06F 3/017; G06F 3/0308;  
G06F 3/0338; G06F 3/038; G06F 3/14

See application file for complete search history.

*Primary Examiner* — Daniel J Domino

*Assistant Examiner* — Samina Vieth

(74) *Attorney, Agent, or Firm* — Georgi Korobanov

(57)

**CLAIM**

The ornamental design for a wireless presenter, as shown and described.

**DESCRIPTION**

FIG. 1 is a perspective view of a first embodiment of a wireless presenter, showing my new design;  
FIG. 2 is another perspective view thereof;  
FIG. 3 is a front view thereof;  
FIG. 4 is a rear view thereof;  
FIG. 5 is a left side view thereof;  
FIG. 6 is a right side view thereof;  
FIG. 7 is a top plan view thereof;  
FIG. 8 is a bottom plan view thereof;  
FIG. 9 is a perspective view of a second embodiment of a wireless presenter;  
FIG. 10 is another perspective view thereof;  
FIG. 11 is a front view thereof;  
FIG. 12 is a rear view thereof;  
FIG. 13 is a left side view thereof;  
FIG. 14 is a right side view thereof;  
FIG. 15 is a top plan view thereof; and,  
FIG. 16 is a bottom plan view thereof.

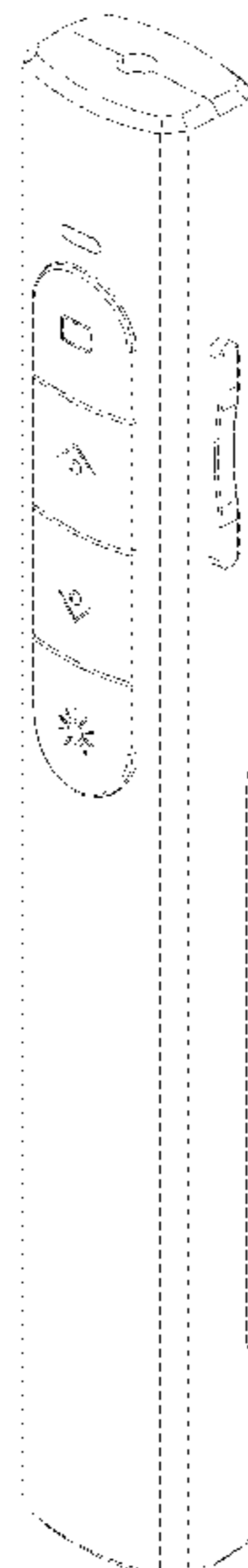
(56) **References Cited**

U.S. PATENT DOCUMENTS

D451,076 S \* 11/2001 Sommer ..... D13/168  
D546,782 S \* 7/2007 Poulet ..... D13/168  
D556,154 S \* 11/2007 Poulet ..... D13/168  
D568,313 S \* 5/2008 Leung ..... D26/38  
D582,915 S \* 12/2008 Leung ..... D26/38  
D589,941 S \* 4/2009 Maier ..... D14/218  
D605,178 S \* 12/2009 Maier ..... D14/218  
D627,091 S \* 11/2010 Zhang ..... D26/37  
D647,510 S \* 10/2011 Maier ..... D14/218  
D647,511 S \* 10/2011 Maier ..... D14/218  
D671,918 S \* 12/2012 Maier ..... D14/218  
D703,188 S \* 4/2014 Maier ..... D14/218  
D770,194 S \* 11/2016 Langhammer ..... D6/512

(Continued)

**1 Claim, 16 Drawing Sheets**



(56)

**References Cited**

## U.S. PATENT DOCUMENTS

D779,460	S	*	2/2017	Turksu	.....	D14/218
D795,870	S	*	8/2017	Jentz	.....	D26/37
D823,834	S	*	7/2018	Wang	.....	D14/218
D852,170	S	*	6/2019	Zhang	.....	D14/218
D856,332	S	*	8/2019	Rüegg	.....	D14/218
D873,270	S	*	1/2020	Rüegg	.....	D14/218
D875,731	S	*	2/2020	Rüegg	.....	D14/218
D891,659	S	*	7/2020	Tu	.....	D26/37
D901,444	S	*	11/2020	Huang	.....	D14/218
D901,445	S	*	11/2020	Huang	.....	D14/218
D913,992	S	*	3/2021	Huang	.....	D14/218
D917,753	S	*	4/2021	Guo	.....	D26/37
D942,958	S	*	2/2022	Maier	.....	D14/218

## FOREIGN PATENT DOCUMENTS

KR	300999693.0000	*	3/2019
RU	00110148	*	8/2018

## OTHER PUBLICATIONS

Ubuyone Store, "Presentation Clicker Wireless . . .", available at amazon.com, date first available Dec. 14, 2021, site visited Jan. 26, 2023, available at URL: <https://a.co/d/5V10MP4> (Year: 2021).\*

PPTSLID Store, "Powerpoint Clicker Presentation Clickers . . .", available at amazon.com, date first available May 12, 2022, site visited Jan. 26, 2023, available at URL: <https://a.co/d/4svoaTE> (Year: 222).\*

Dududa, "Wireless Presenter Presentation Clicker . . .", available at amazon.com, date first available May 4, 2022, site visited Jan. 26, 2023, available at URL: <https://a.co/d/9eANe1R> (Year: 222).\*

\* cited by examiner

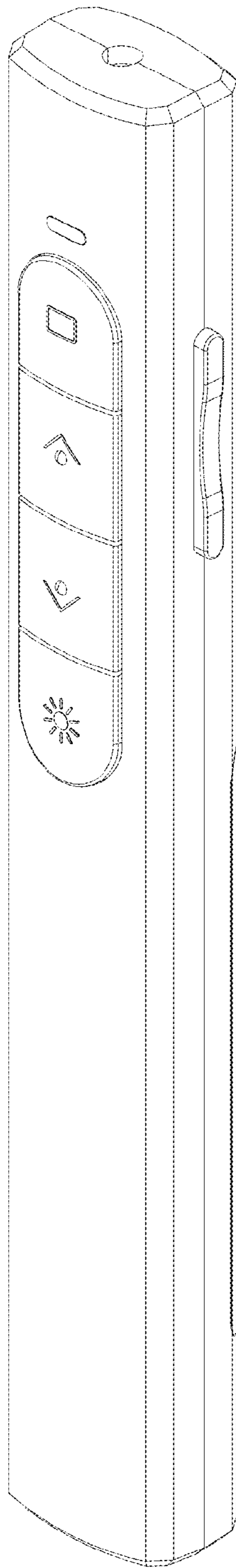


FIG. 1

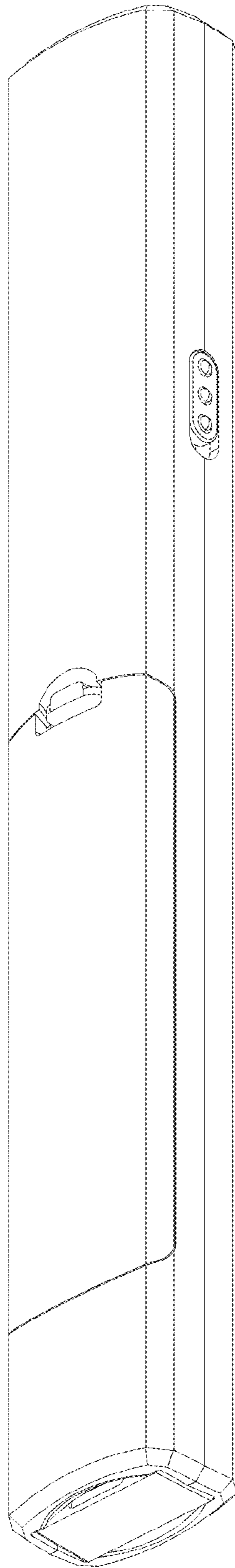


FIG. 2

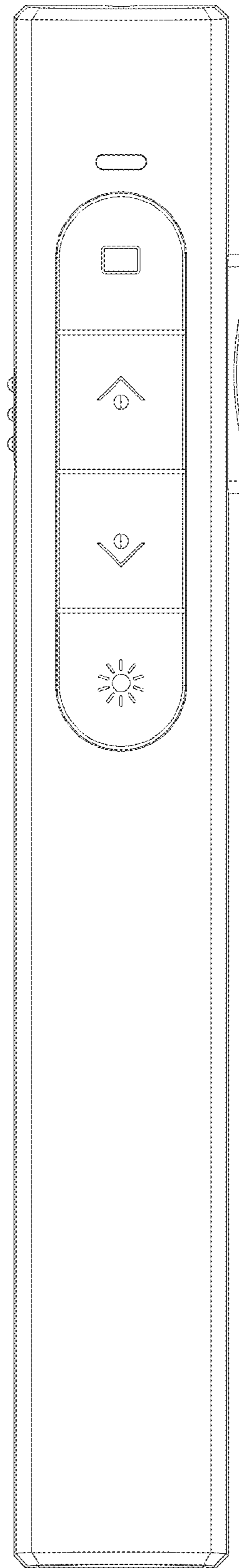


FIG. 3

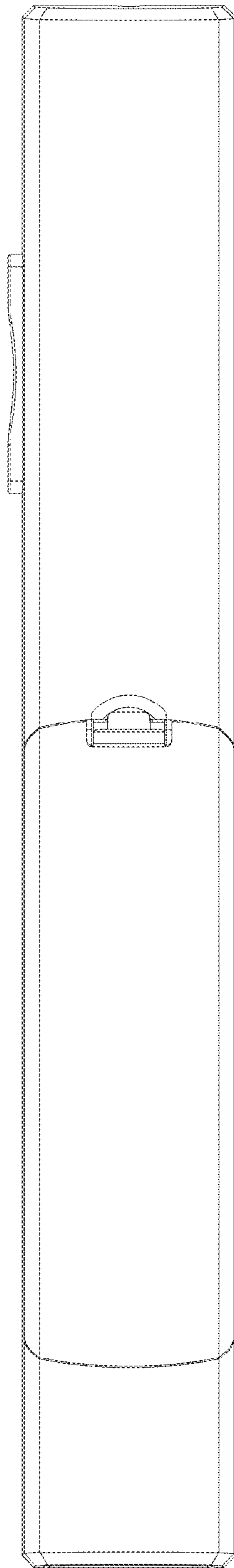


FIG. 4

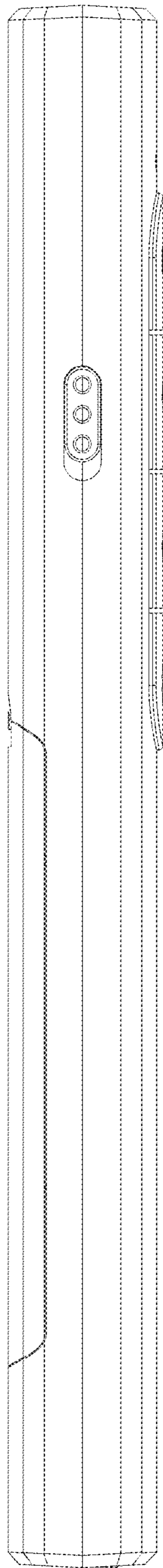


FIG. 5

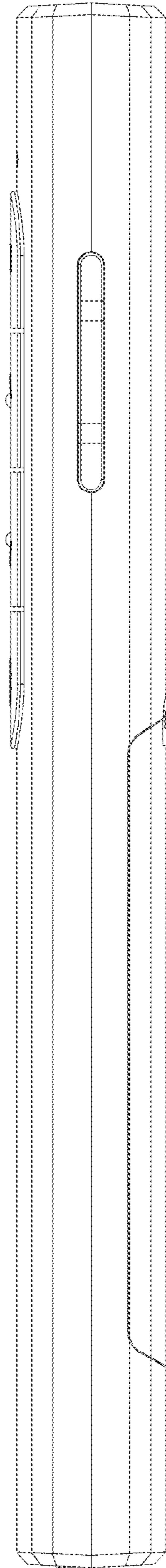


FIG. 6



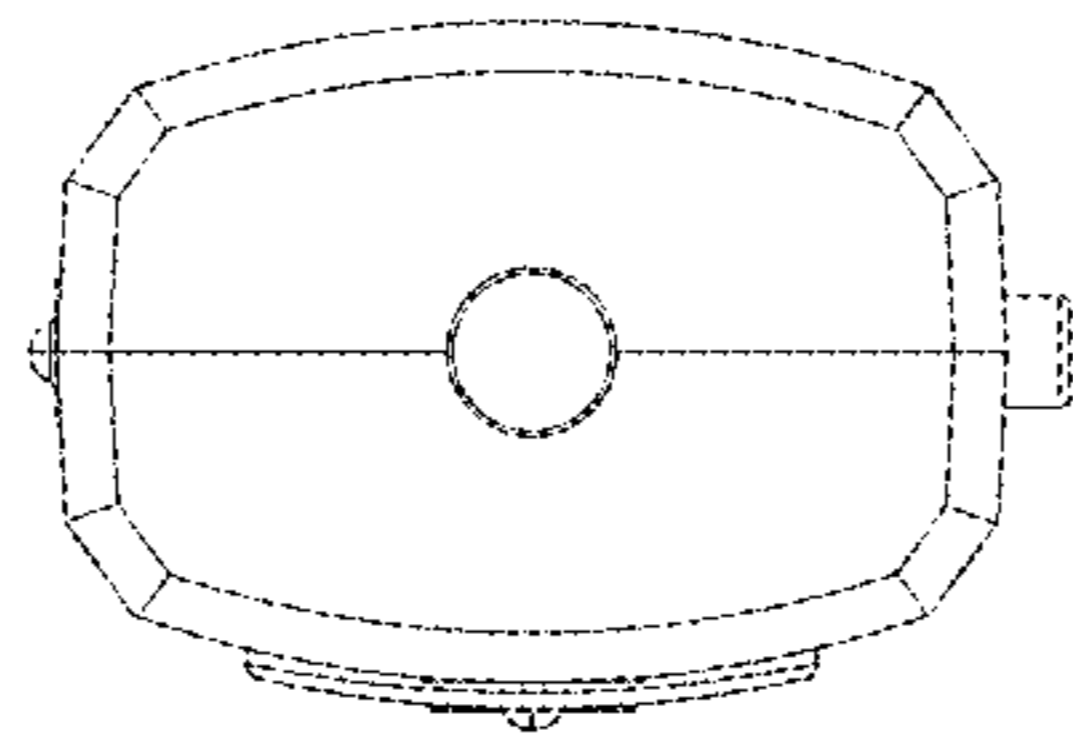


FIG. 7

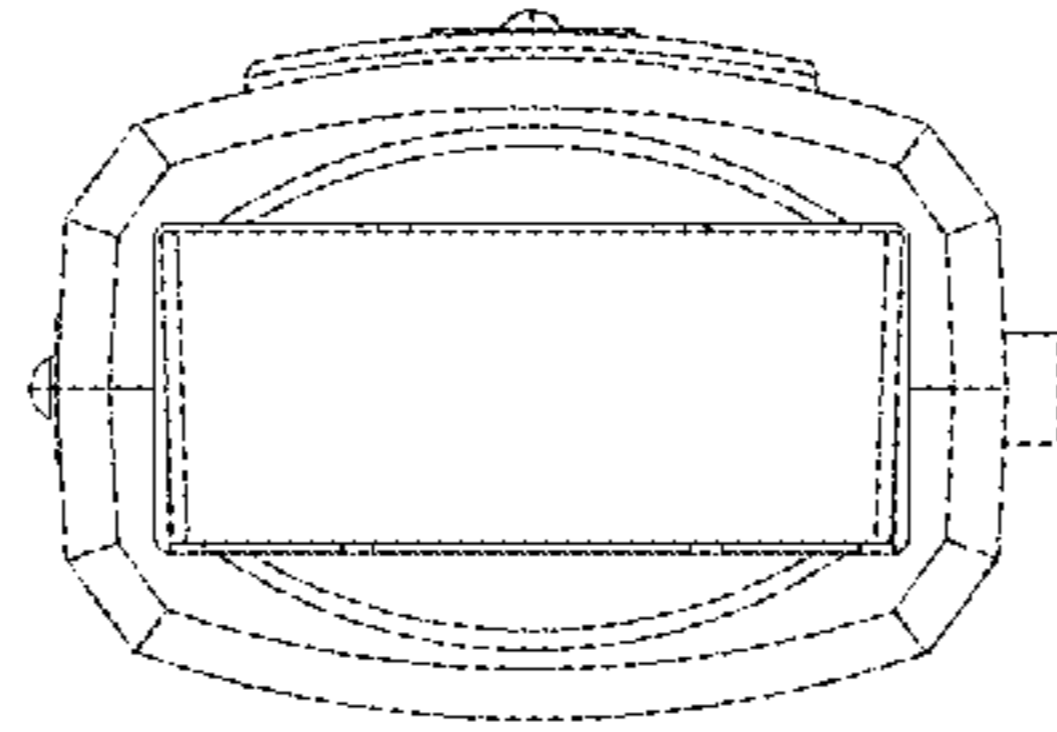


FIG. 8

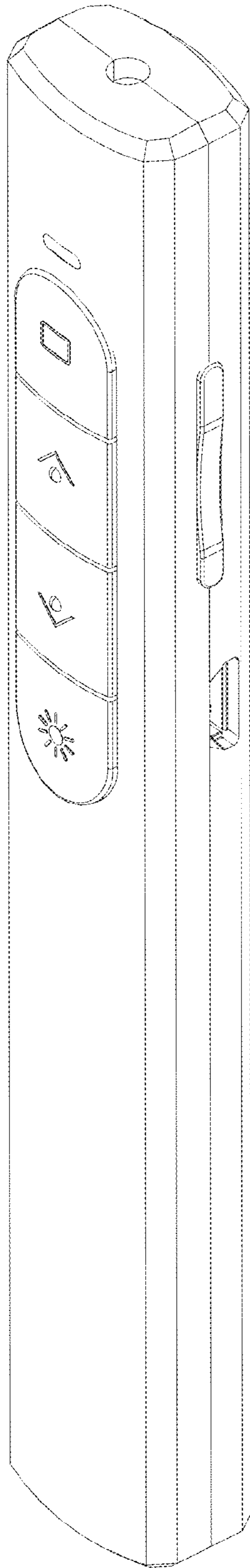


FIG. 9

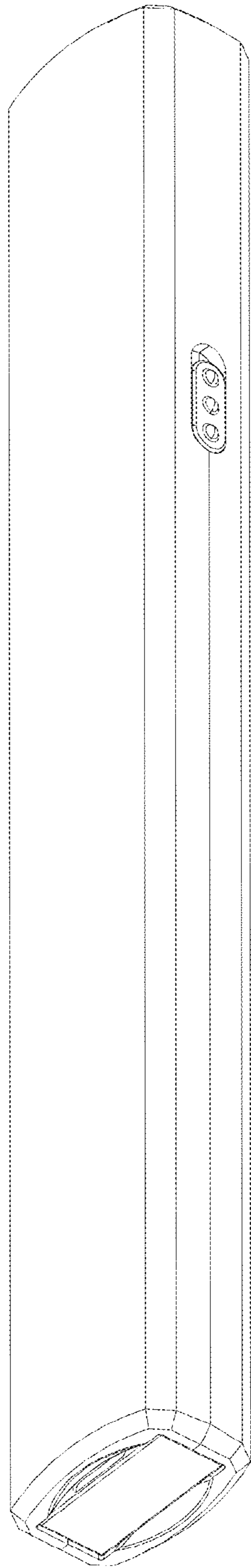


FIG. 10

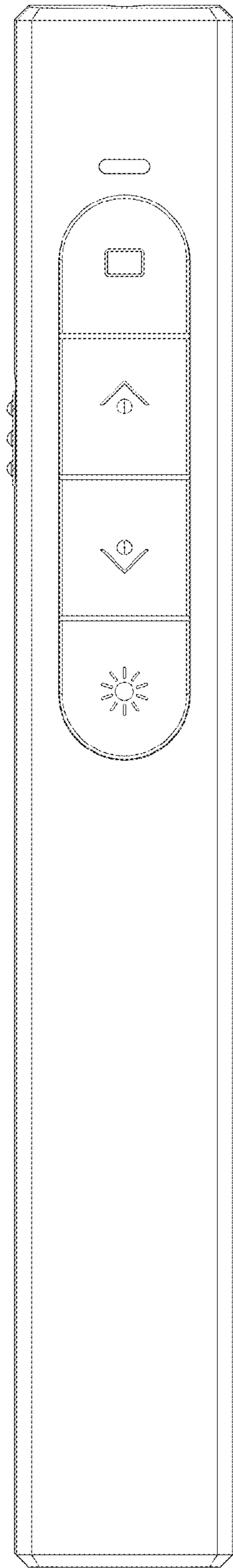


FIG. 11

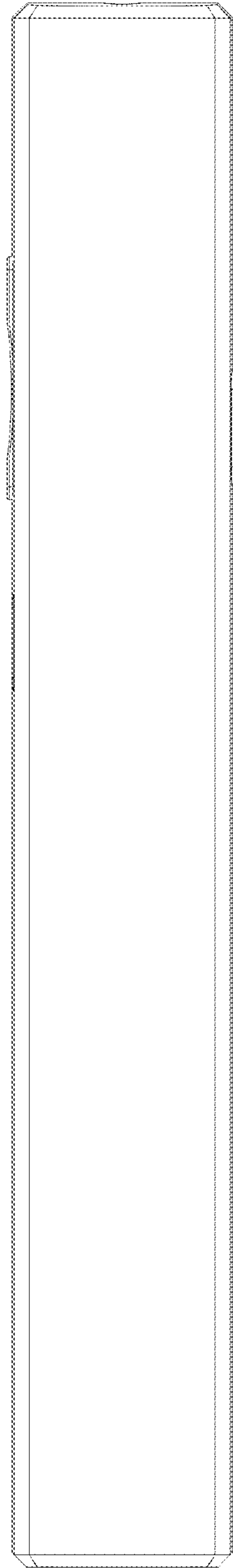


FIG. 12

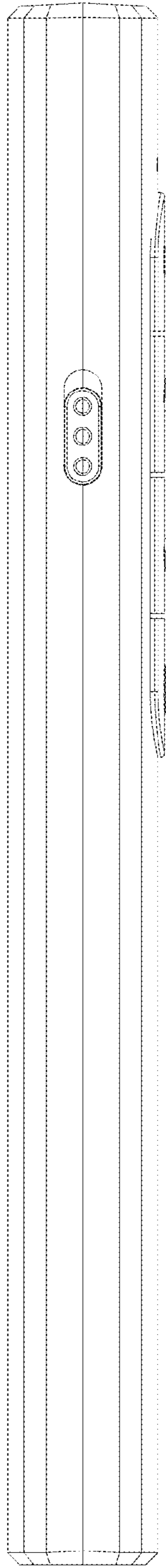


FIG. 13

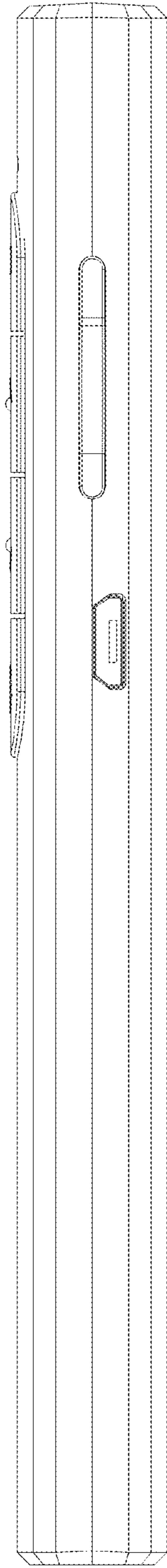


FIG. 14



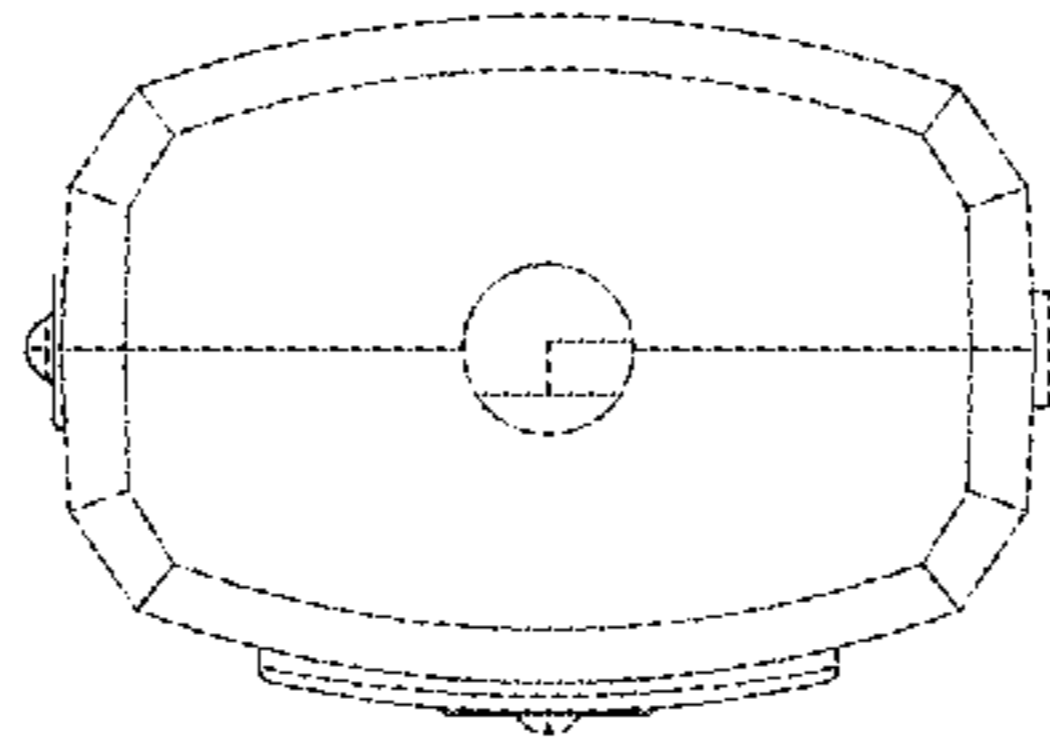


FIG. 15

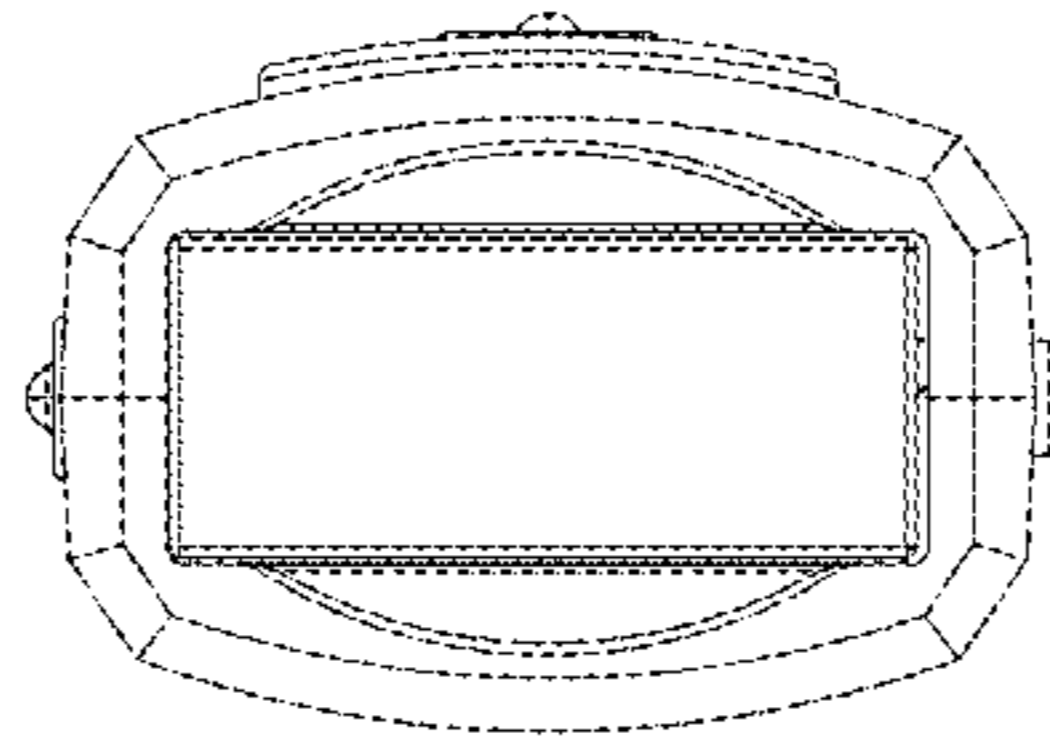


FIG. 16