



US00D985538S

(12) **United States Design Patent** (10) **Patent No.:** **US D985,538 S**  
**Li** (45) **Date of Patent:** **\*\* May 9, 2023**

(54) **REMOTE CONTROL**  
(71) Applicant: **SHANTOU FENGMA TOY INDUSTRY CO., LTD.**, Shantou (CN)  
(72) Inventor: **Haibo Li**, Shantou (CN)  
(73) Assignee: **SHANTOU FENGMA TOY INDUSTRY CO., LTD.**, Shantou (CN)  
(\*\*) Term: **15 Years**

D963,639 S \* 9/2022 Zhang ..... D14/344  
D966,114 S \* 10/2022 Qu ..... D14/344  
D966,132 S \* 10/2022 Wu ..... D10/70  
D967,801 S \* 10/2022 Chen ..... D14/218  
D970,500 S \* 11/2022 Tang ..... D14/344  
2009/0081966 A1\* 3/2009 Neu ..... H04B 1/202  
455/100  
2013/0147722 A1\* 6/2013 Lin ..... G06F 3/014  
345/173  
2015/0169075 A1\* 6/2015 Peixoto ..... G06F 1/1684  
345/173  
2016/0018948 A1\* 1/2016 Parvarandeh ..... G06F 1/163  
345/175

(Continued)

(21) Appl. No.: **29/777,364**  
(22) Filed: **Apr. 6, 2021**  
(51) **LOC (14) Cl.** ..... **14-03**  
(52) **U.S. Cl.**  
USPC ..... **D14/218**  
(58) **Field of Classification Search**  
USPC ..... D10/30, 31, 32, 38, 65, 70, 128;  
D13/168; D14/218, 137, 344, 155, 388,  
D14/496; D21/566, 333, 531; D24/186  
CPC ..... H04B 1/02; H04B 1/03; H04B 1/0343;  
H04B 1/0346; H04B 1/202; H04B 10/00;  
H04B 10/502; H01H 2231/032; H01H  
2231/028; A63H 30/00; A63H 30/02;  
A63H 30/04; G06F 3/014; G06F 3/017  
See application file for complete search history.

**FOREIGN PATENT DOCUMENTS**

CN 101808483 A \* 8/2010 ..... B29C 45/14065  
CN 209560295 U \* 10/2019  
CN 305420326 \* 11/2019

(Continued)

*Primary Examiner* — Marie D. Fast Horse  
*Assistant Examiner* — Josiah D. Parsons

(57) **CLAIM**

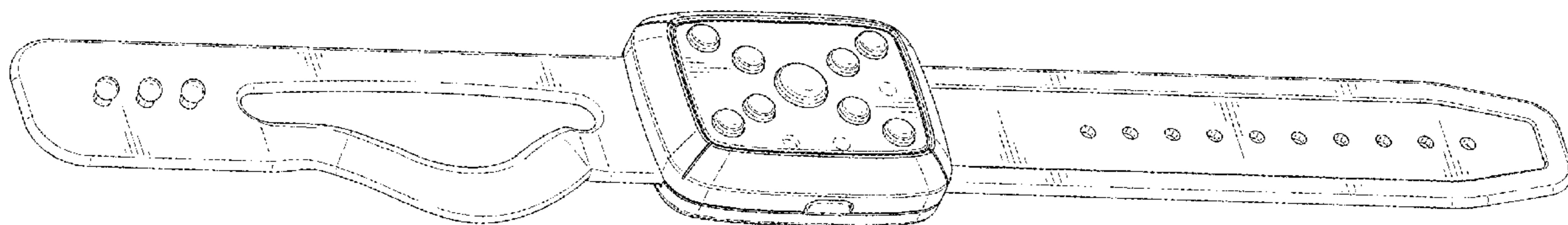
The ornamental design for a remote control, as shown and described.

**DESCRIPTION**

FIG. 1 is a perspective view of a remote control showing my new design;  
FIG. 2 is another perspective view thereof;  
FIG. 3 is a front elevational view thereof;  
FIG. 4 is a rear elevational view thereof;  
FIG. 5 is a left side elevational view thereof;  
FIG. 6 is a right side elevational view thereof;  
FIG. 7 is a top plan view thereof; and,  
FIG. 8 is a bottom plan view thereof.  
The broken lines in the drawings depict portions of the remote control that form no part of the claimed design.

**1 Claim, 8 Drawing Sheets**

(56) **References Cited**  
U.S. PATENT DOCUMENTS  
D417,236 S \* 11/1999 Burrus ..... D19/28  
D617,746 S \* 6/2010 Choi ..... D13/164  
D756,332 S \* 5/2016 Wai ..... D14/218  
D758,996 S \* 5/2016 Wai ..... D14/218  
D760,395 S \* 6/2016 Barbaric ..... D24/186  
D787,343 S \* 5/2017 Gabrel ..... D10/10  
D841,009 S \* 2/2019 Yu ..... D14/433  
D891,425 S \* 7/2020 Lin ..... D10/70  
D961,584 S \* 8/2022 Painter ..... D14/344  
D962,790 S \* 9/2022 Patel ..... D14/344



(56)

**References Cited**

U.S. PATENT DOCUMENTS

2020/0044468 A1\* 2/2020 Lin ..... H05B 47/00

FOREIGN PATENT DOCUMENTS

CN	305715992	*	4/2020
CN	305744297	*	4/2020
GB	9008317176-0	*	12/2020

\* cited by examiner

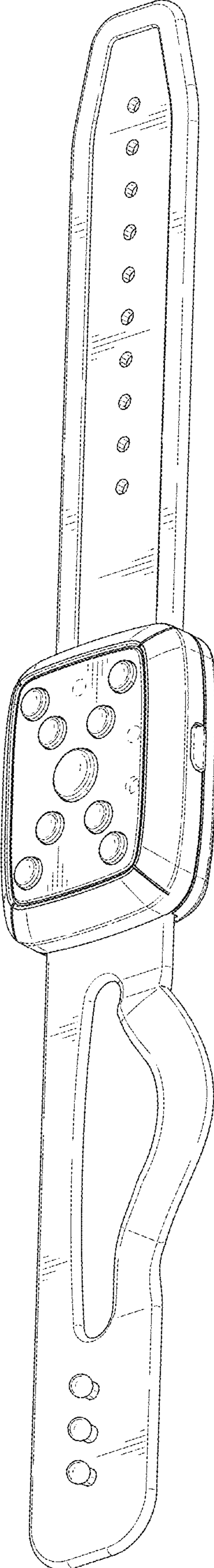


FIG. 1

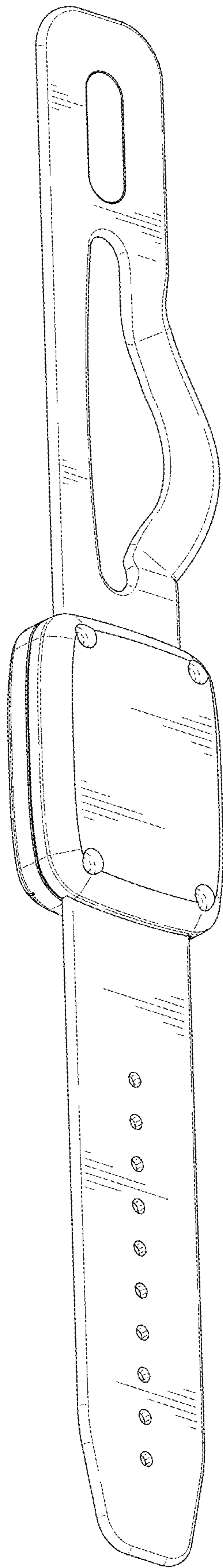


FIG. 2

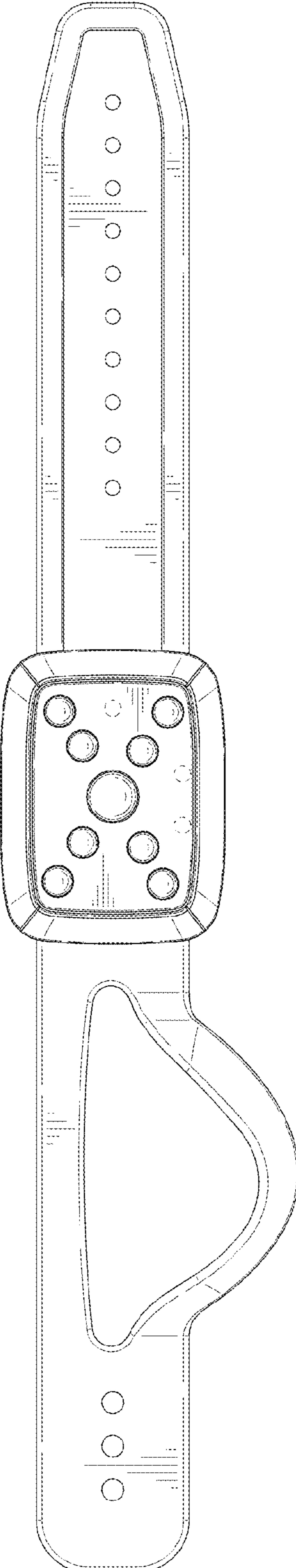


FIG. 3

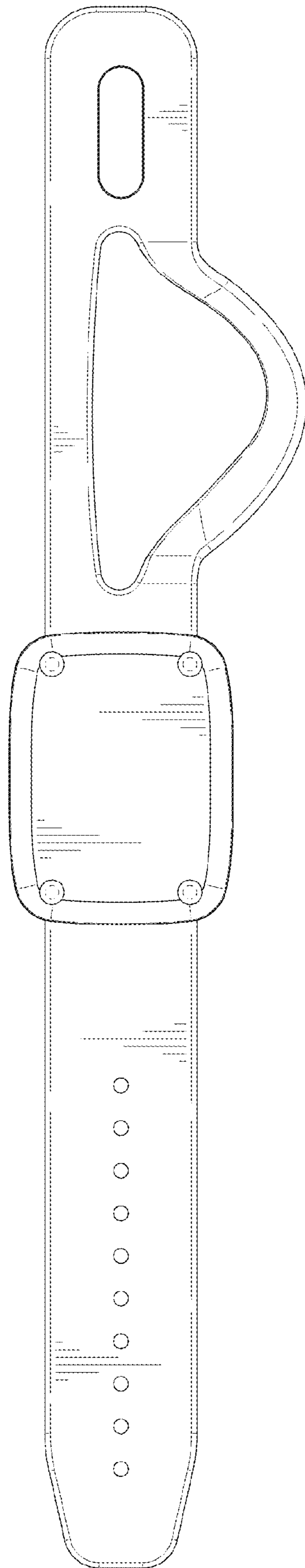


FIG. 4

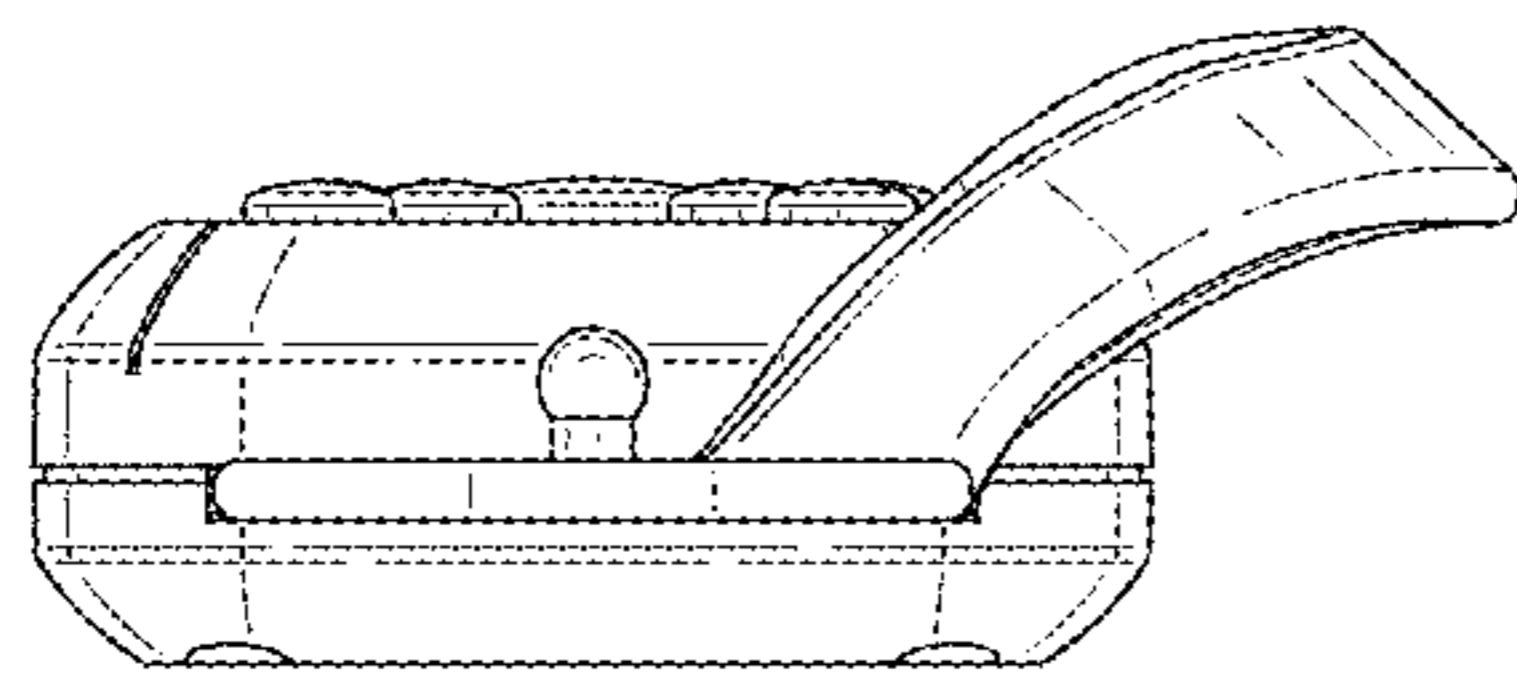


FIG. 5

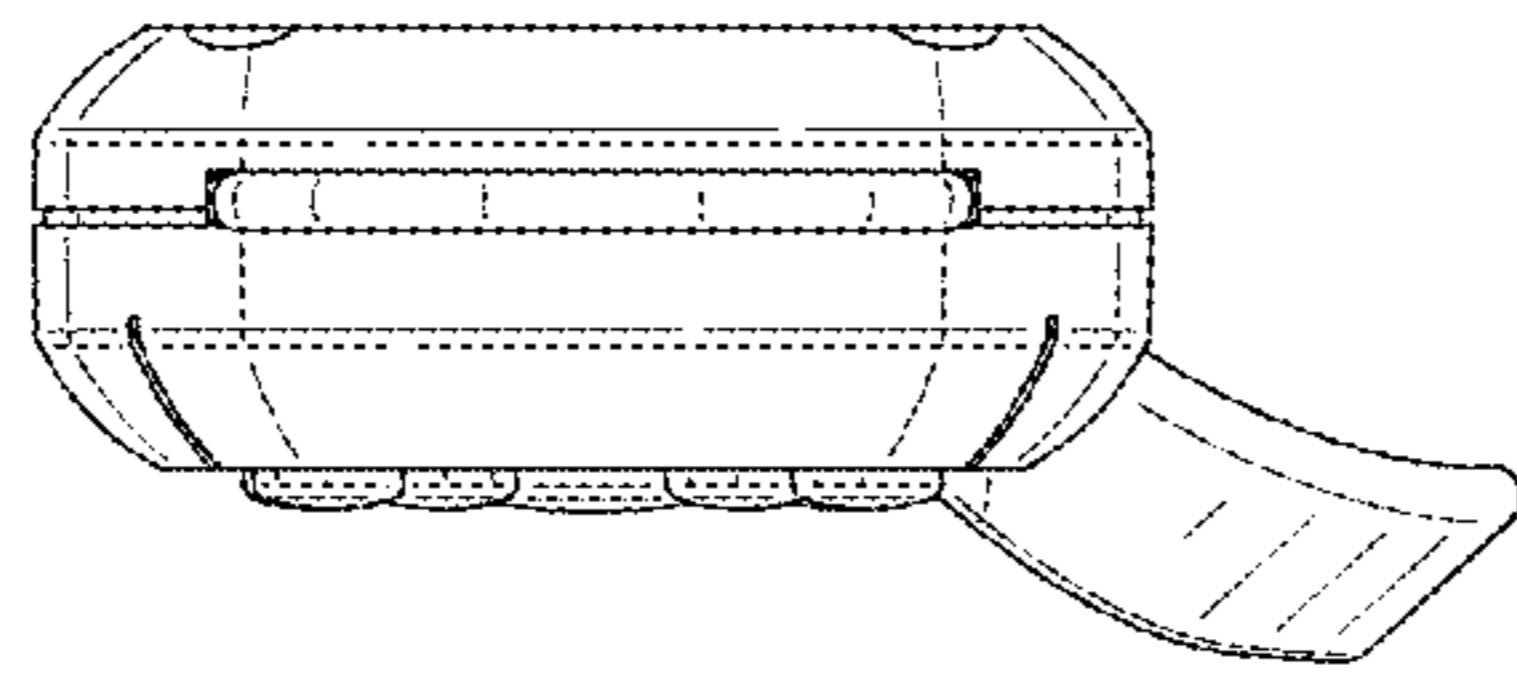


FIG. 6



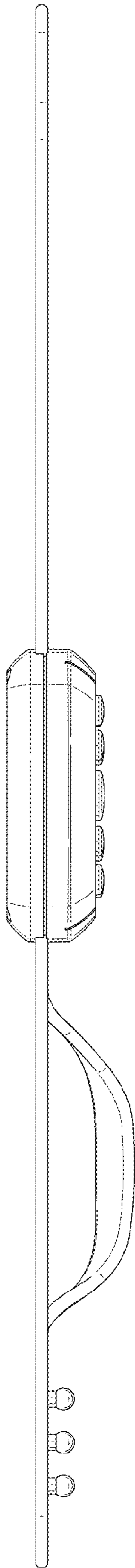


FIG. 7

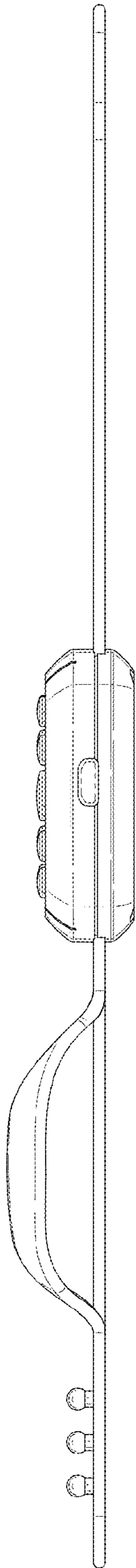


FIG. 8