



US00D985534S

(12) **United States Design Patent** (10) **Patent No.:** **US D985,534 S**
Lorenzen (45) **Date of Patent:** **** May 9, 2023**

(54) **SOUND BAR BRACKET**
(71) Applicant: **Grace Digital Inc.**, Poway, CA (US)
(72) Inventor: **Jonathan Lorenzen**, San Diego, CA (US)

D716,265 S 10/2014 Park et al.
D742,358 S 11/2015 Alves et al.
D758,336 S 6/2016 Kelly et al.
D765,618 S 9/2016 Alves et al.
D772,092 S 11/2016 Hageman et al.
D772,094 S 11/2016 Kruska et al.

(Continued)

(73) Assignee: **Grace Digital Inc.**, Poway, CA (US)

FOREIGN PATENT DOCUMENTS

(**) Term: **15 Years**

CN 306161818 11/2020

(21) Appl. No.: **29/748,613**

OTHER PUBLICATIONS

(22) Filed: **Aug. 31, 2020**

310Audio, Rechargeable Bazooka Speaker With Bluetooth and Sound Activated Lights.

(51) **LOC (14) Cl.** **14-01**

(Continued)

(52) **U.S. Cl.**
USPC **D14/216**

(58) **Field of Classification Search**
USPC D14/210, 219, 225, 226, 227, 229
CPC H04R 1/08; H04R 9/08
See application file for complete search history.

Primary Examiner — Khawaja Anwar
Assistant Examiner — Megan Tiana Rakos
(74) *Attorney, Agent, or Firm* — Genius Patent APC;
Bruce Angus Hare

(56) **References Cited**

(57) **CLAIM**

U.S. PATENT DOCUMENTS

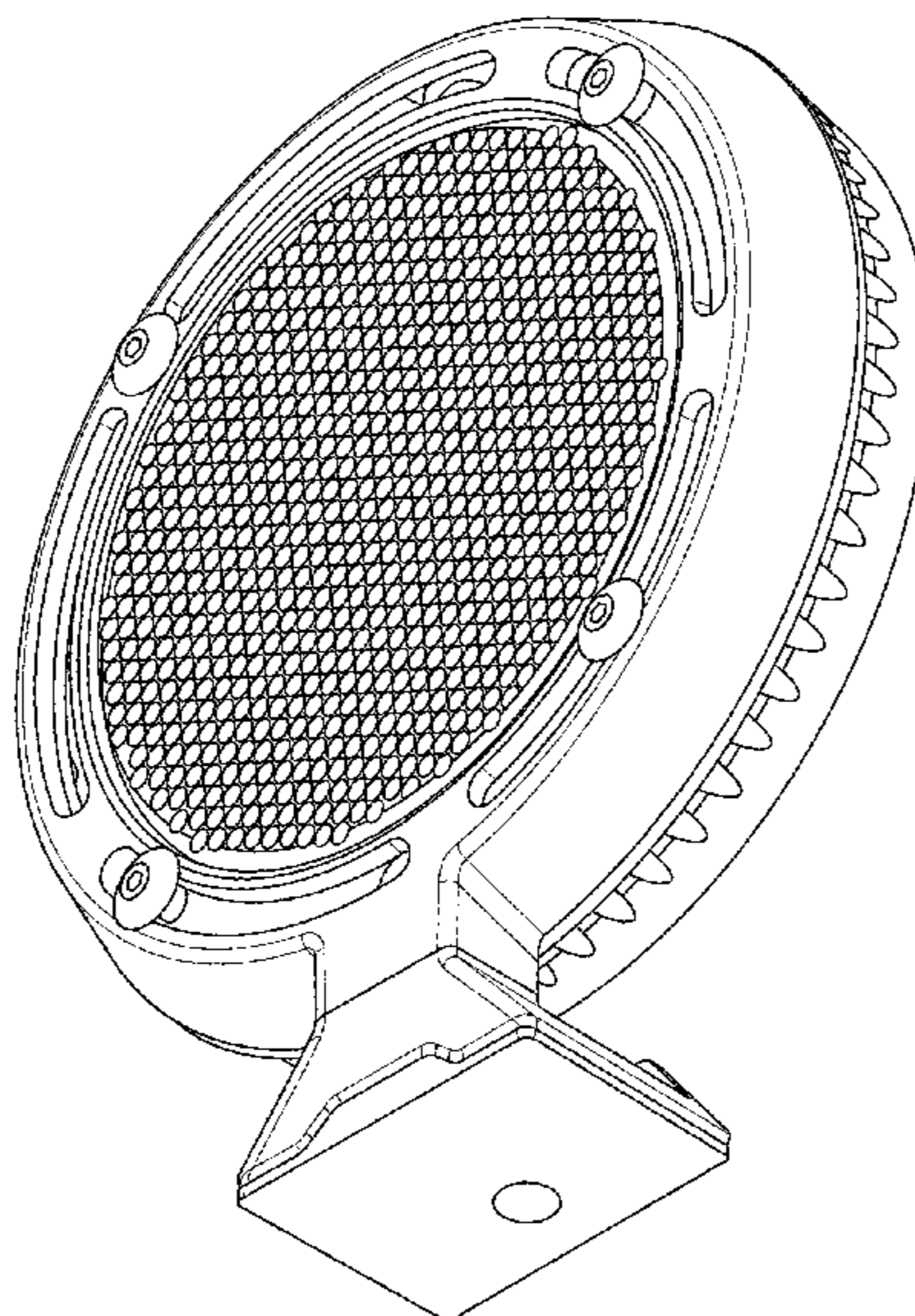
The ornamental design for a sound bar bracket, as shown and described.

4,168,762 A 9/1979 Griffin, Jr.
D302,818 S * 8/1989 Camens D14/219
D317,768 S * 6/1991 Davidson D14/219
D328,901 S 8/1992 Haruyama
5,191,177 A * 3/1993 Chi H04R 5/02
181/156
D384,350 S 9/1997 Nuevo et al.
D392,640 S 3/1998 Tully et al.
D415,162 S * 10/1999 Chen D14/227
D443,262 S * 6/2001 Caren D14/224
D525,238 S * 7/2006 Hannapel D14/226
D551,656 S 9/2007 Ritsher et al.
D553,121 S 10/2007 Gondo et al.
D555,636 S 11/2007 Chen et al.
D571,359 S 6/2008 Chang
D585,882 S * 2/2009 Lum D14/224
D676,418 S 2/2013 Suzuki
D677,244 S 3/2013 Funayama
D694,215 S 11/2013 Birger

DESCRIPTION

FIG. 1 illustrates a front elevation view of a sound bar bracket showing the new design;
FIG. 2 illustrates a rear elevation view thereof;
FIG. 3 illustrates a left side elevation view thereof;
FIG. 4 illustrates a right side elevation view thereof;
FIG. 5 illustrates a top plan view thereof;
FIG. 6 illustrates a bottom plan view thereof;
FIG. 7 illustrates a bottom, front, right perspective view thereof; and,
FIG. 8 illustrates an exploded view thereof.
The portions of the sound bar bracket depicted in broken line form no part of the claimed design.

1 Claim, 8 Drawing Sheets



(56)

References Cited

U.S. PATENT DOCUMENTS

D848,397	S	5/2019	Alves et al.	
D868,033	S	11/2019	Luo	
10,471,903	B1 *	11/2019	Jordan	H04R 1/026
D876,395	S	2/2020	Kung	
D879,738	S	3/2020	Guo	
D889,443	S *	7/2020	Renwick	D14/229
D892,762	S	8/2020	Yang	
D893,455	S	8/2020	Winton et al.	
D893,459	S *	8/2020	Lum	D14/219
D937,244	S *	11/2021	Lorenzen	D14/216
D941,271	S *	1/2022	Ray	D14/219
2017/0325010	A1	11/2017	Kung	

OTHER PUBLICATIONS

Bosbos, Cannon Wireless Speaker.
 Crutchfield, Bazooka BPB24-DS-G2 Party Bar.

Ecobouldermax Jan. 15, 2021 ecoxgear.com/collections/party-speakers/products/ecoboulder-max.
 Ecoxgear Bluetooth Speaker at Grace Digital Inc Jan. 15, 2021 www.groupon.com/deal/grace-digital-inc.
 Ecoxgear Ecobouldermax Jul. 4, 2020 www.amazon.com Ecoboulder Waterproof Floating Bluetooth.
 Ele Eleoption, 16W Portable Column Tooth Speaker Move KTV 3D Sound System Sound Bar Subwoofer Music Wireless Speaker FM Radio USB—United States—Black.
 ET, Wireless Bluetooth Speaker,Outdoor Stereo Speaker Bass Sound With Power Bank Bluetooth 4.2 Stereo Subwoofer Portable Speakers With FM Radio and TF Card Slot.
 EU002160093-0001, Energy Sistem Technology.
 EU004536399-0001, XU.
 EU00516745-0001, Altec Lansing.
 EU005328598-0003, RTB Media.
 EU006624086-0001, Jebara.
 EU007075163-0006, Elem6.
 EU008039853-0006, Elem6.

* cited by examiner

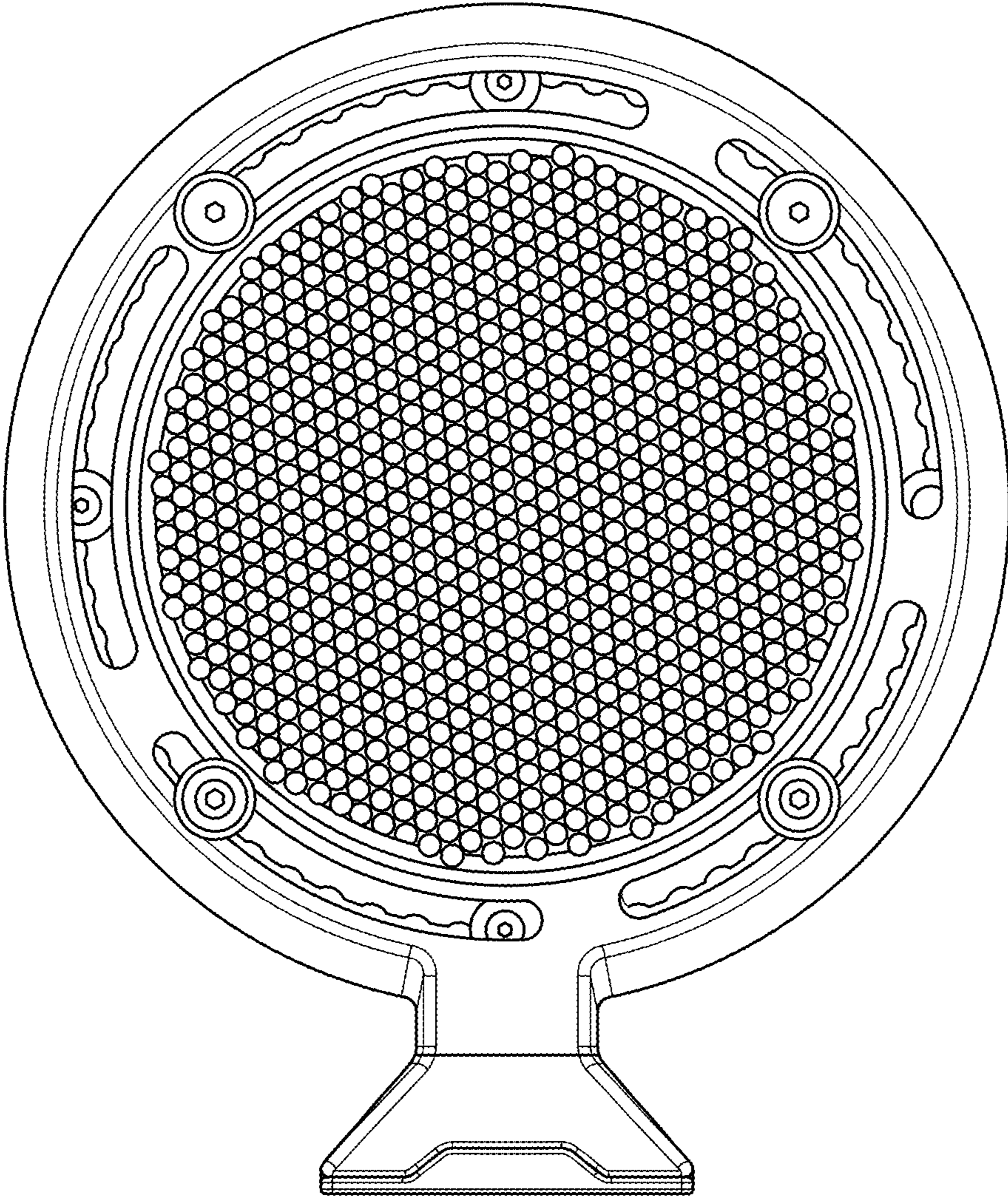


FIG. 1

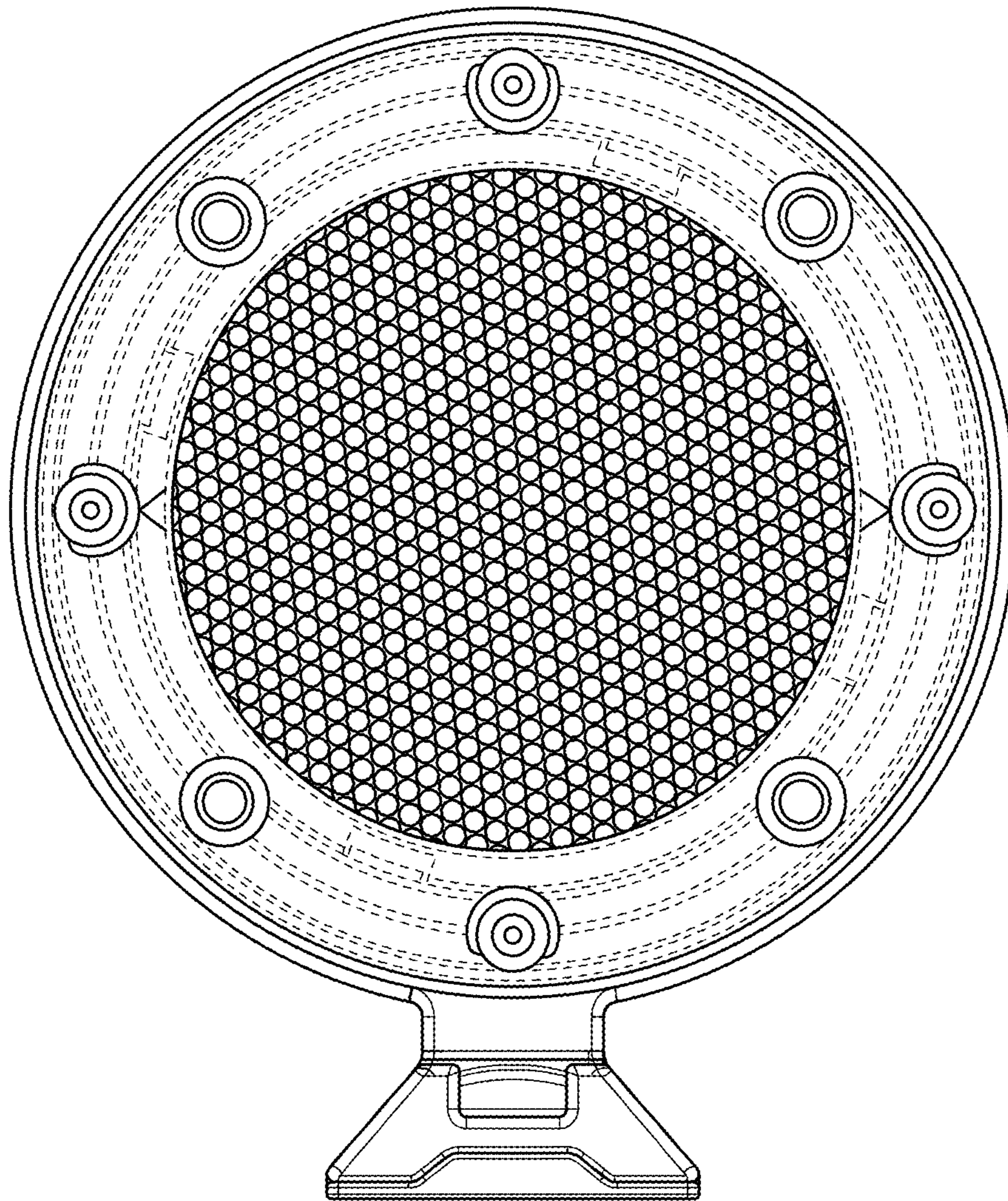


FIG. 2

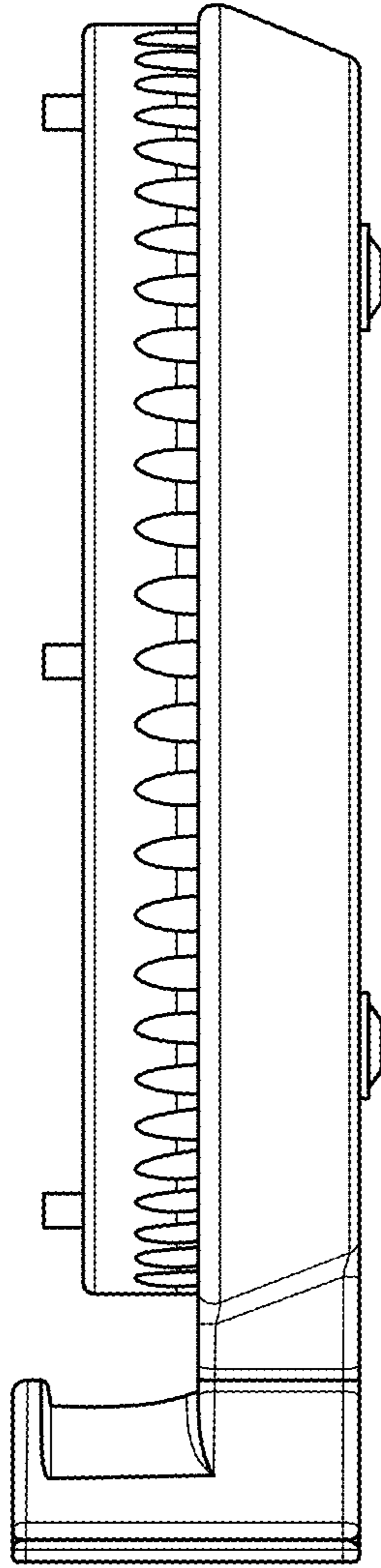


FIG. 3

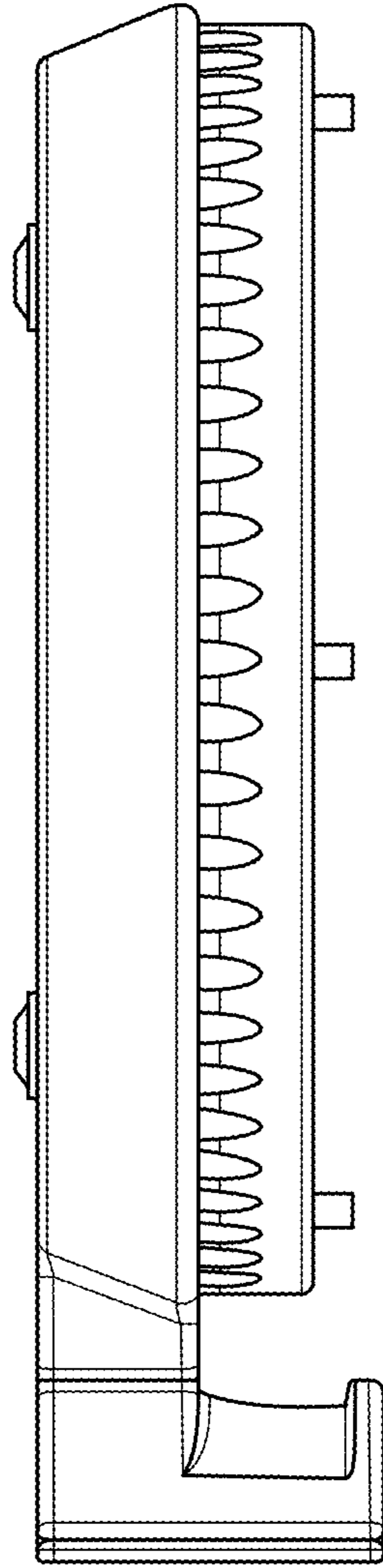


FIG. 4

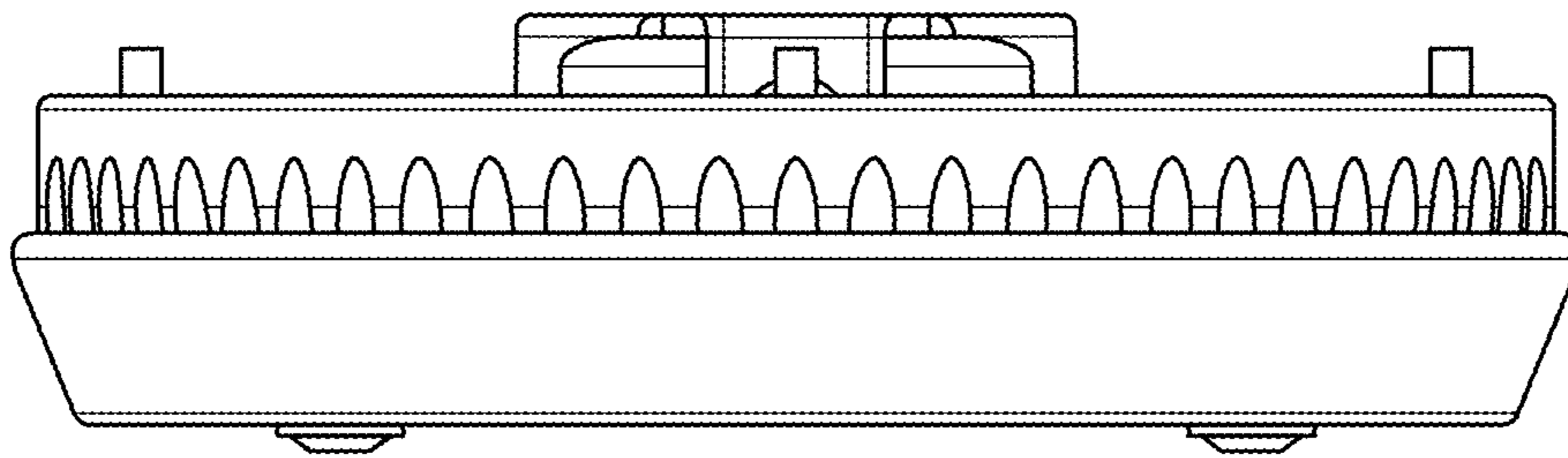


FIG. 5

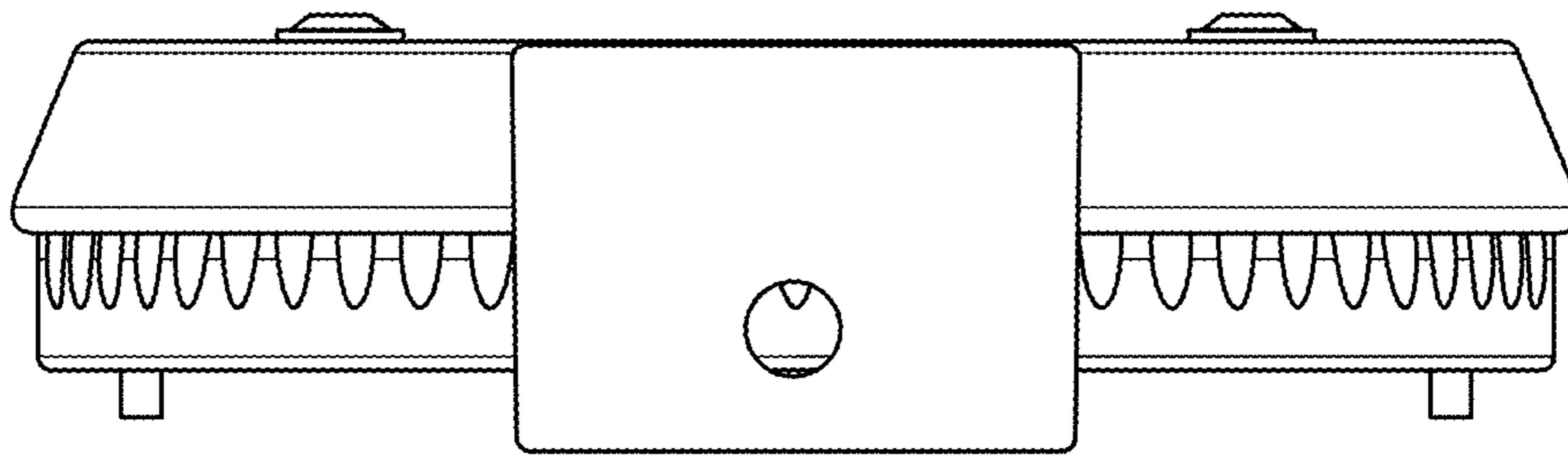


FIG. 6

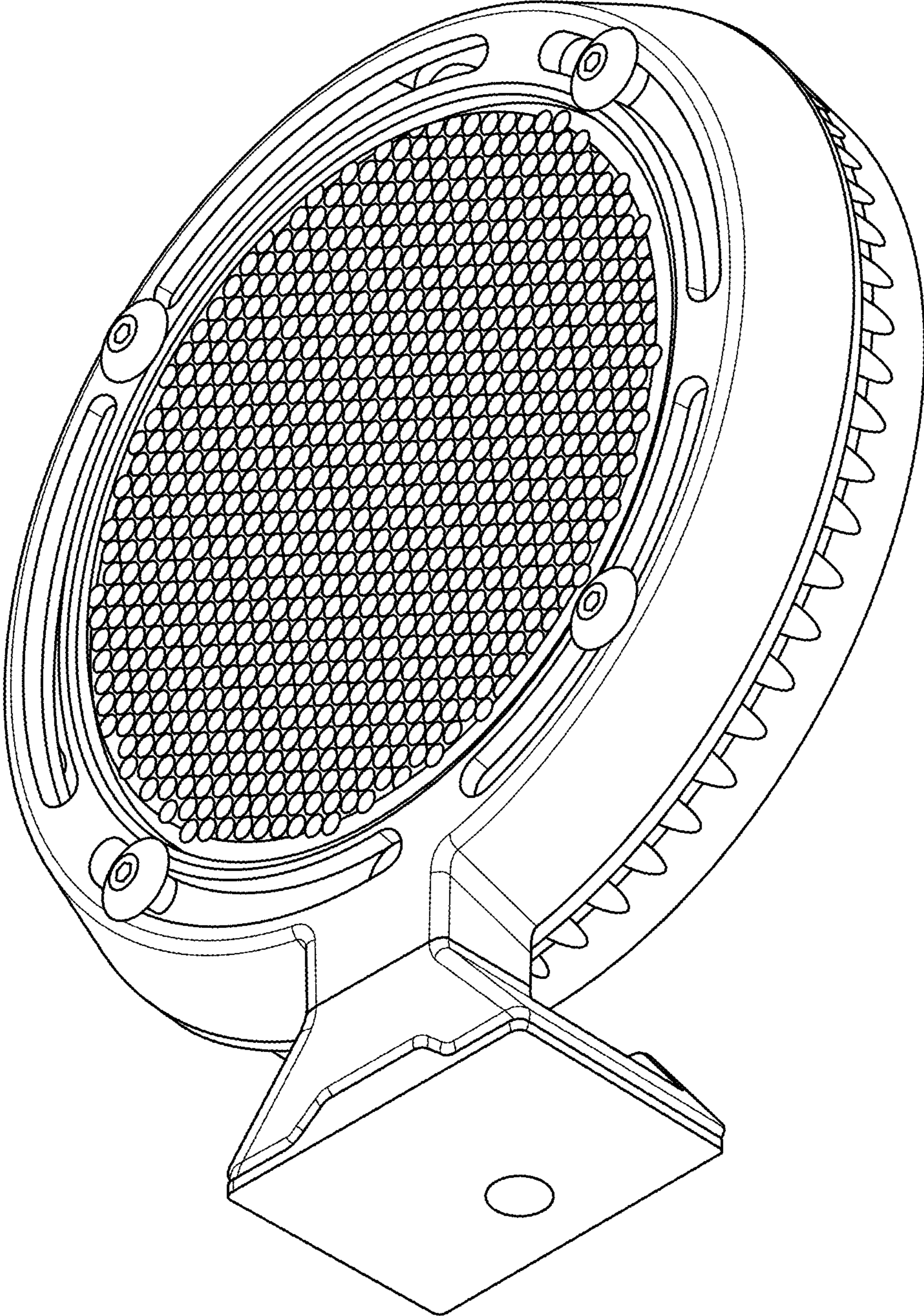


FIG. 7

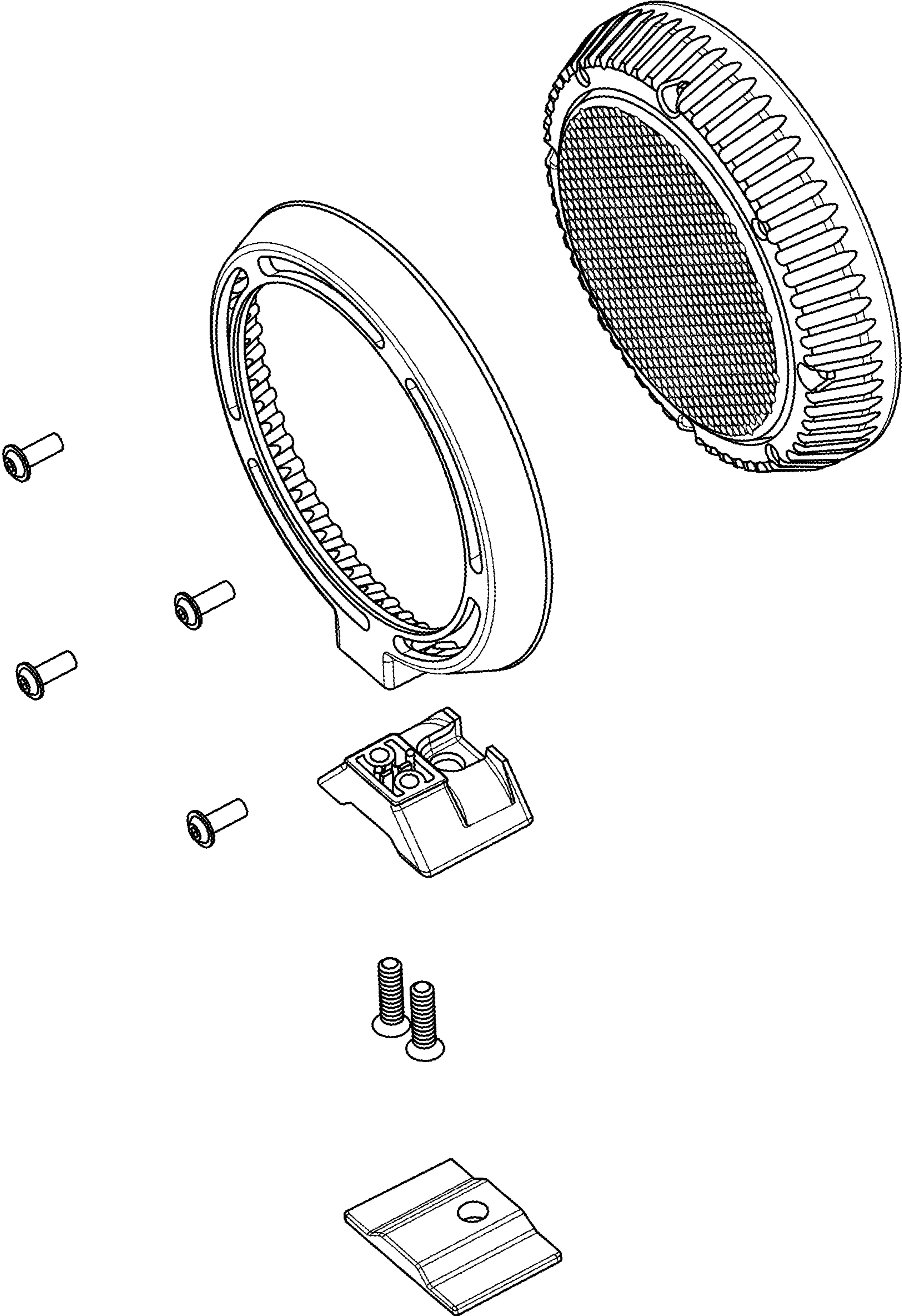


FIG. 8