



US00D985531S

(12) **United States Design Patent**
Lamb et al.

(10) **Patent No.:** **US D985,531 S**
(45) **Date of Patent:** **** May 9, 2023**

- (54) **HEADSET**
- (71) Applicant: **Point Source Audio, Inc.**, Petaluma, CA (US)
- (72) Inventors: **James Lamb**, Novato, CA (US);
Yvonne Ho, Novato, CA (US)
- (73) Assignee: **Point Source Audio, Inc.**, Petaluma, CA (US)
- (**) Term: **15 Years**
- (21) Appl. No.: **29/764,364**
- (22) Filed: **Dec. 30, 2020**
- (51) **LOC (14) Cl.** **14-01**
- (52) **U.S. Cl.**
USPC **D14/205**; D14/206
- (58) **Field of Classification Search**
USPC D14/206, 223, 205; D24/174; D13/153,
D13/155; 381/380–381
CPC H04R 25/00; H04R 1/1066; H04R 1/1016;
H04R 5/033; H04R 5/0335; H04R 1/105;
H04R 1/1033; H04R 1/1075
See application file for complete search history.

- 5,511,132 A * 4/1996 Yoshimi H04R 1/1091
381/151
- 5,608,808 A * 3/1997 da Silva G02C 11/10
351/123
- D394,669 S * 5/1998 Becker D8/395
- D403,681 S * 1/1999 Lam D14/206
- D407,089 S * 3/1999 Norin D14/206
- D421,755 S * 3/2000 Pitel D14/240
- D441,739 S * 5/2001 Hayes D14/223

(Continued)

FOREIGN PATENT DOCUMENTS

- CN 305041504 * 2/2019
- CN 306168260 * 11/2020
- TW 181758-0001 * 7/2016

Primary Examiner — Paula Allen Greene

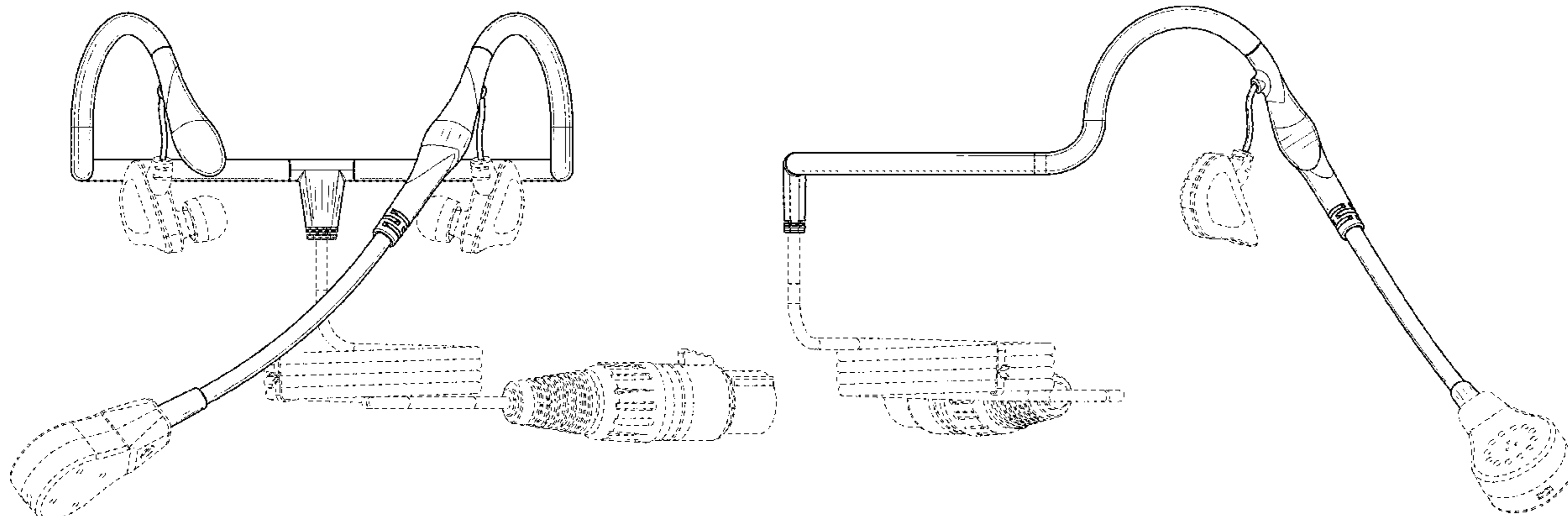
(57) **CLAIM**

We claim the ornamental design for a headset, as shown and described.

DESCRIPTION

FIG. 1 is a top perspective view of a headset in accordance with the embodiment of the present design;
 FIG. 2 is a front view for the headset in accordance with the embodiment of the present design.
 FIG. 3 is a rear view for the headset in accordance with the embodiment of the present design.
 FIG. 4 is a right side view of the headset in accordance with the embodiment of the present design.
 FIG. 5 is a left side view for the headset in accordance with the embodiment of the present design.
 FIG. 6 is a top view for the headset in accordance with the embodiment of the present design; and,
 FIG. 7 is a bottom view for the headset in accordance with the embodiment of the present design.
 The broken lines in the Figures show portions of the headset that form no part of the presently claimed design.

1 Claim, 7 Drawing Sheets



(56)

References Cited

U.S. PATENT DOCUMENTS

D449,038 S *	10/2001	Andreini	D14/223	8,009,853 B2 *	8/2011	Ito	H04R 1/1066
D451,902 S *	12/2001	Gustafson	D14/206					381/381
D463,399 S *	9/2002	Konomi	D14/206	8,411,893 B2 *	4/2013	Ito	H04R 1/105
6,456,721 B1 *	9/2002	Fukuda	H04R 1/1066					381/381
				D14/206	D693,773 S *	11/2013	Chen	D13/155
6,490,362 B1 *	12/2002	Clegg	H04R 1/083	D713,385 S *	9/2014	Burgett	D14/223
				381/381	9,271,065 B2 *	2/2016	Lamb	H04R 1/105
D478,579 S *	8/2003	Sade	D14/240	D776,637 S *	1/2017	Chen	D14/206
D479,226 S *	9/2003	Beauregard, Jr.	D14/223	D786,220 S *	5/2017	Lamb	D14/223
D484,875 S *	1/2004	Higgins	D14/253	D823,280 S *	7/2018	Guilfoyle	D14/206
D498,251 S *	11/2004	Invencio	D16/242	D847,779 S *	5/2019	Williamson	D14/205
D518,816 S *	4/2006	Naito	D14/205	D850,422 S *	6/2019	Lamb	D14/225
D519,990 S *	5/2006	Lazor	D14/229	D869,435 S *	12/2019	Sanhua	D14/205
D563,395 S *	3/2008	Pitcher	D14/227	D874,431 S *	2/2020	Williamson	D14/206
D566,104 S *	4/2008	Suzuki	D14/223	D924,841 S *	7/2021	Yuan	D14/205
D573,101 S *	7/2008	Ng	D13/153	2002/0166691 A1 *	11/2002	Yaworski	H02G 3/0481
D575,772 S *	8/2008	Schultz	D14/206					174/68.3
D582,902 S *	12/2008	Crous	D14/229	2009/0285434 A1 *	11/2009	Williams	H04R 1/1091
D585,881 S *	2/2009	Nam	D14/223					381/381
D593,075 S *	5/2009	Williams	D14/223	2010/0061581 A1 *	3/2010	Soetejo	H04R 1/105
7,613,292 B2 *	11/2009	te Riet	H04R 1/1066					381/380
				379/430	2012/0057739 A1 *	3/2012	Smith	H04R 1/105
D611,933 S *	3/2010	Burnham	D14/223					381/379
D619,124 S *	7/2010	Clay	D14/223	2017/0295419 A1 *	10/2017	Poulsen	H04R 29/007
					2021/0021939 A1 *	1/2021	Olah	H04R 1/1041

* cited by examiner

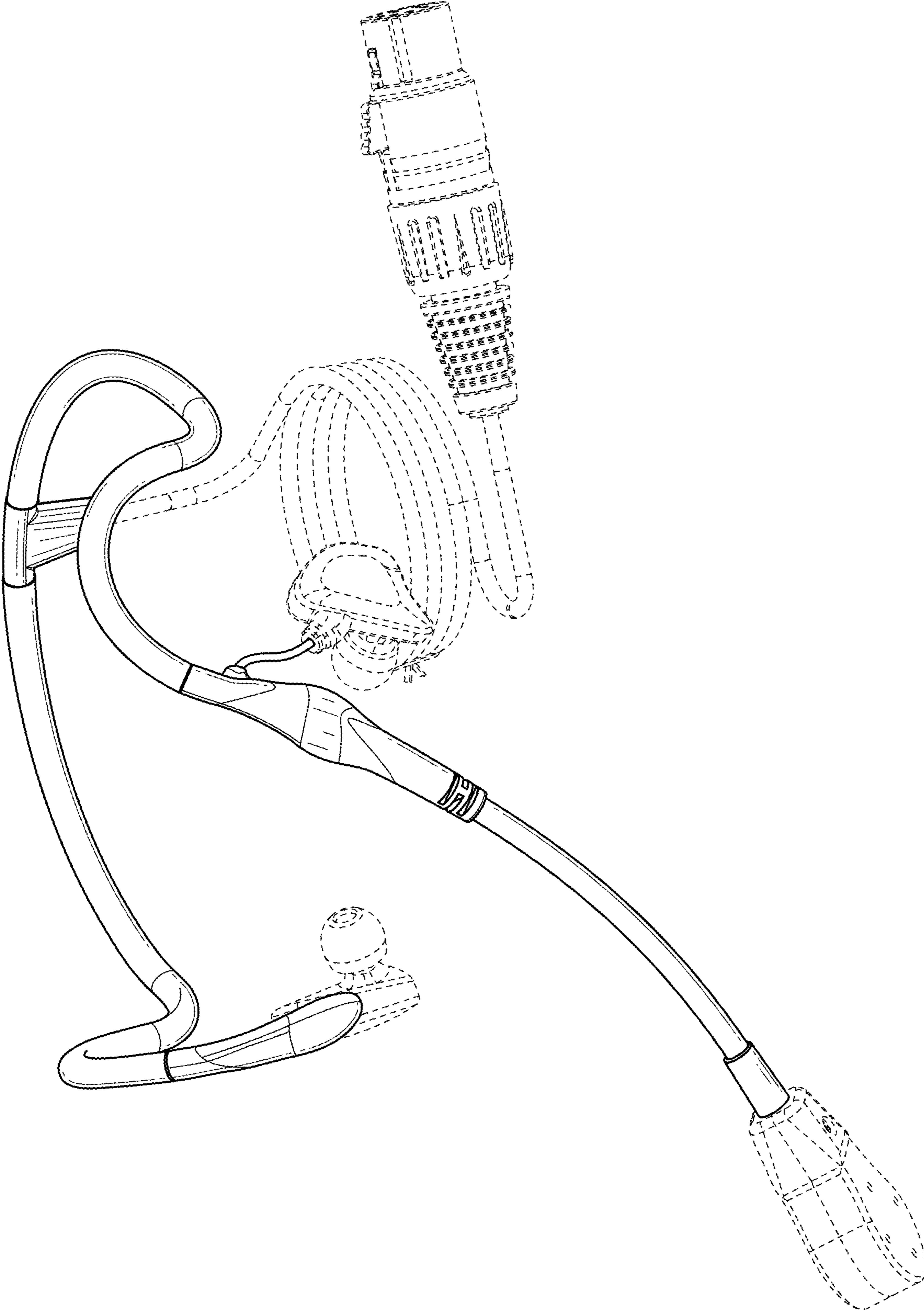


FIG. 1

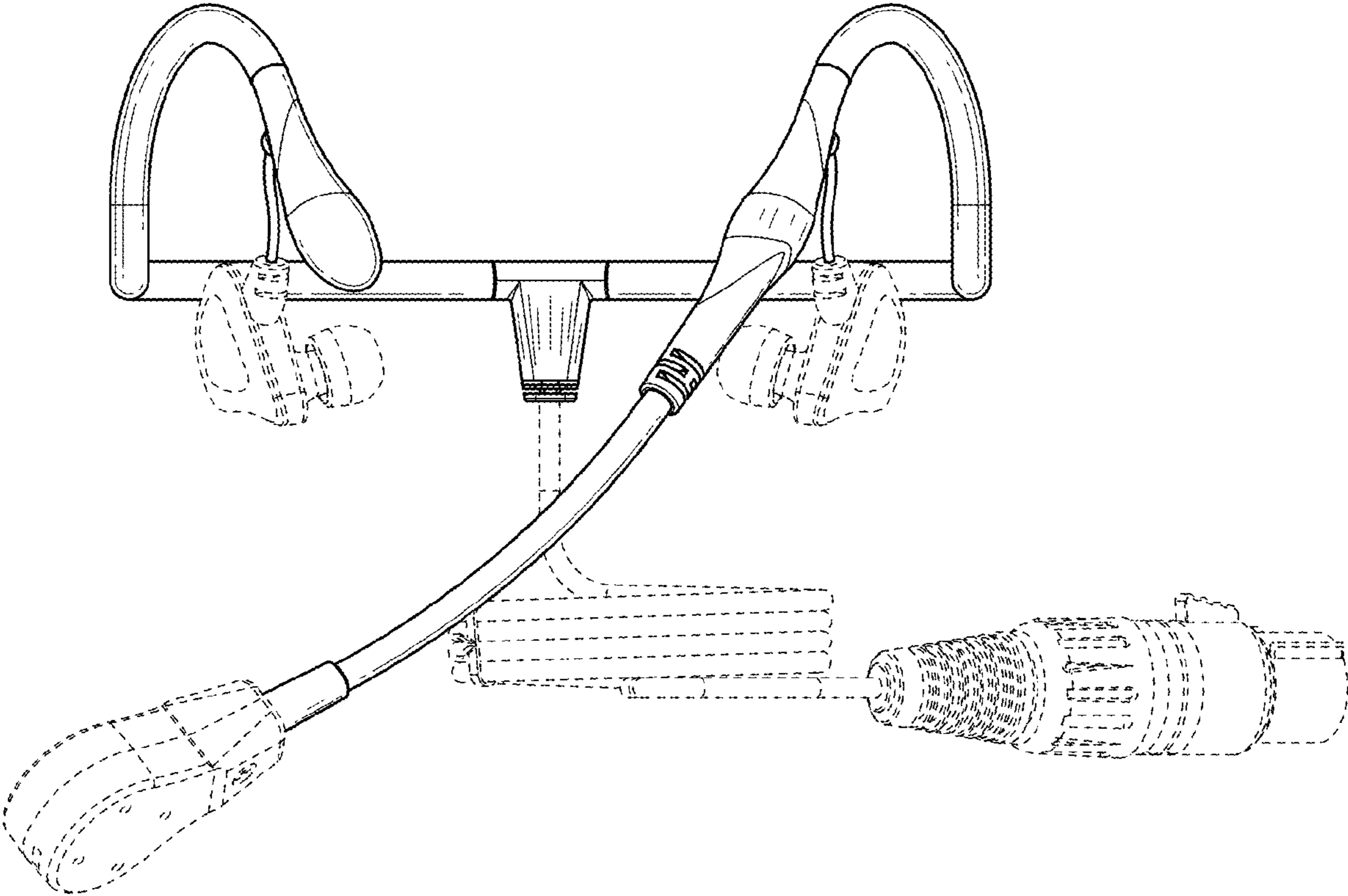


FIG. 2

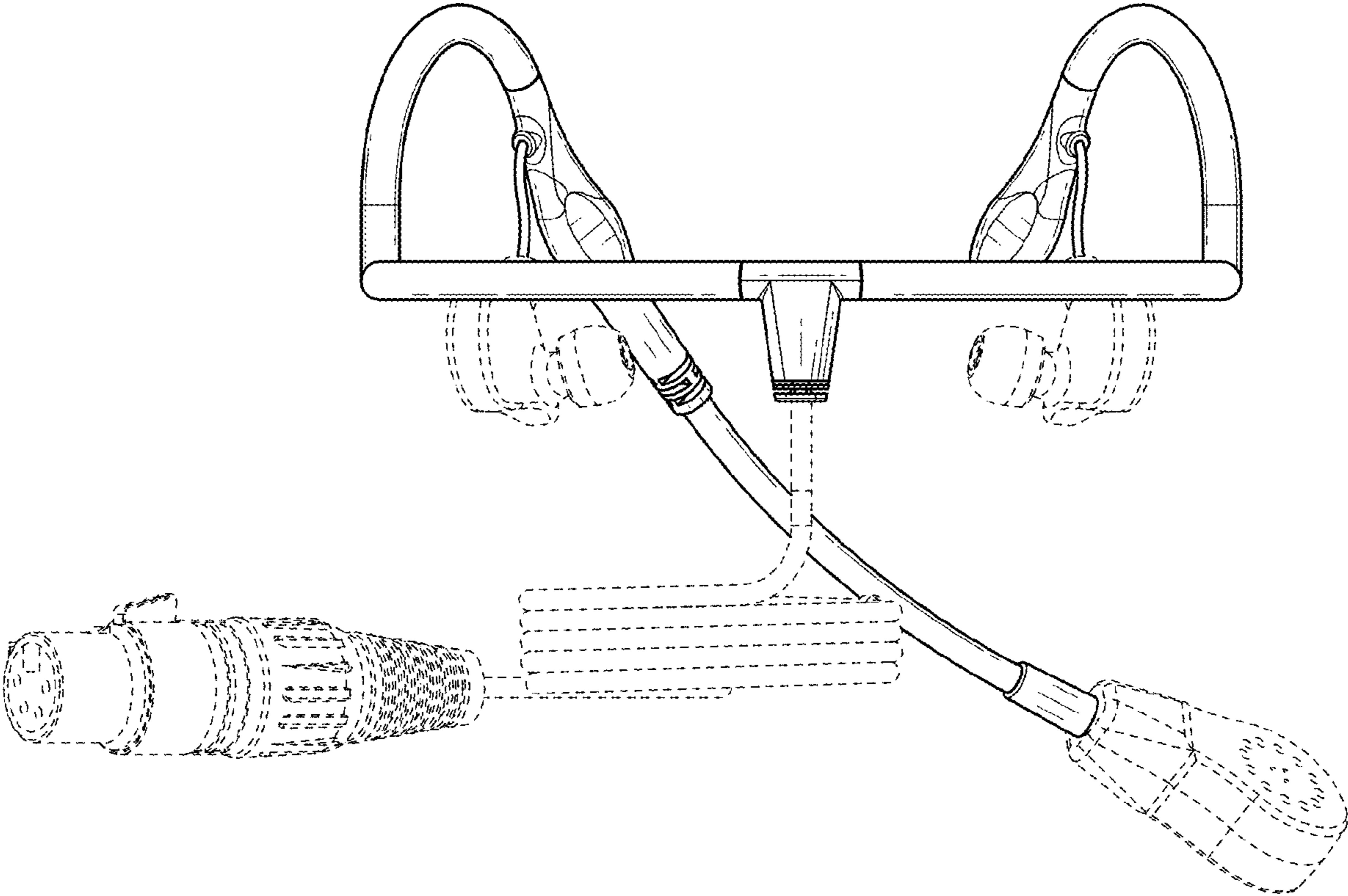


FIG. 3

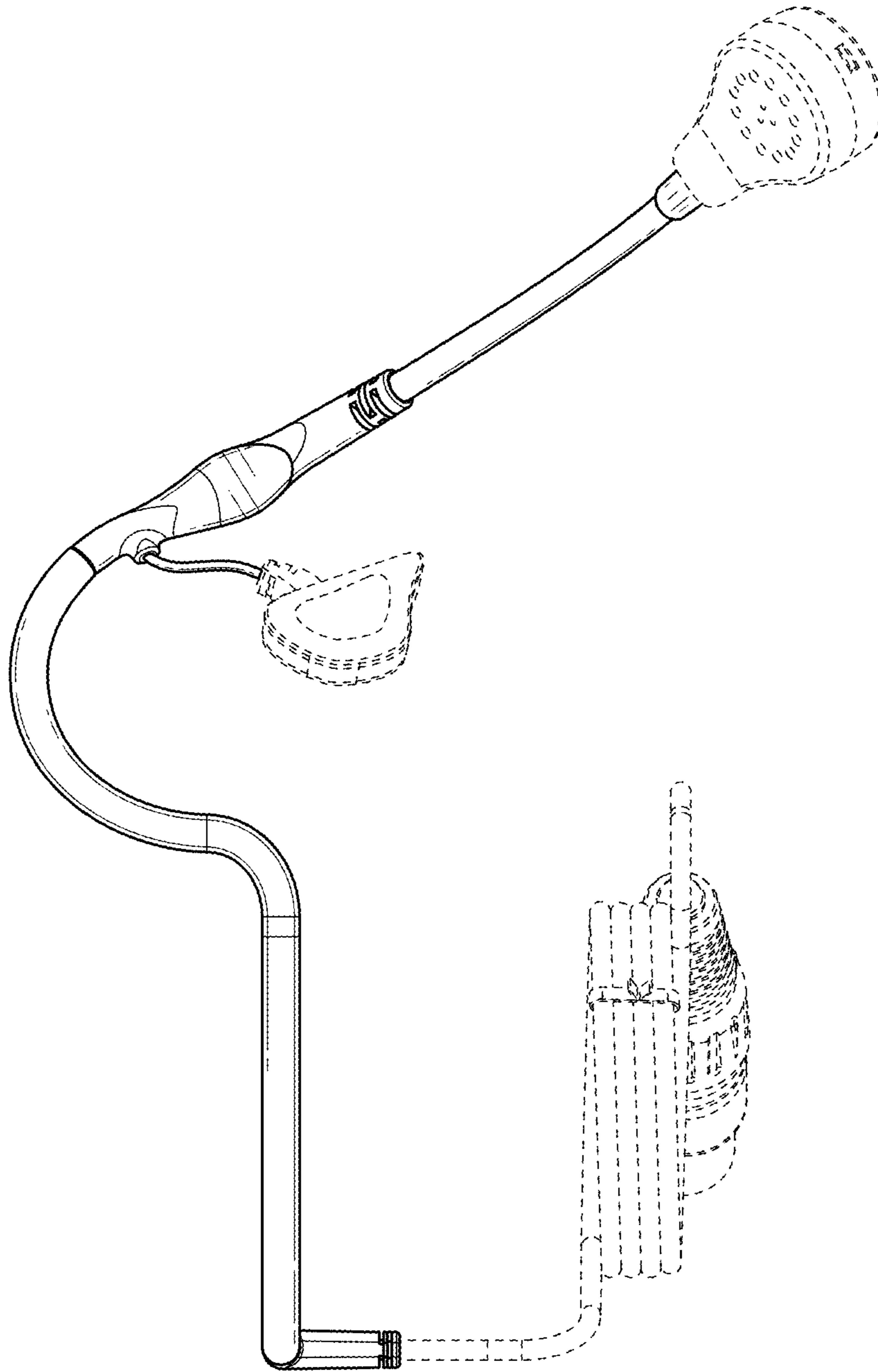


FIG. 4

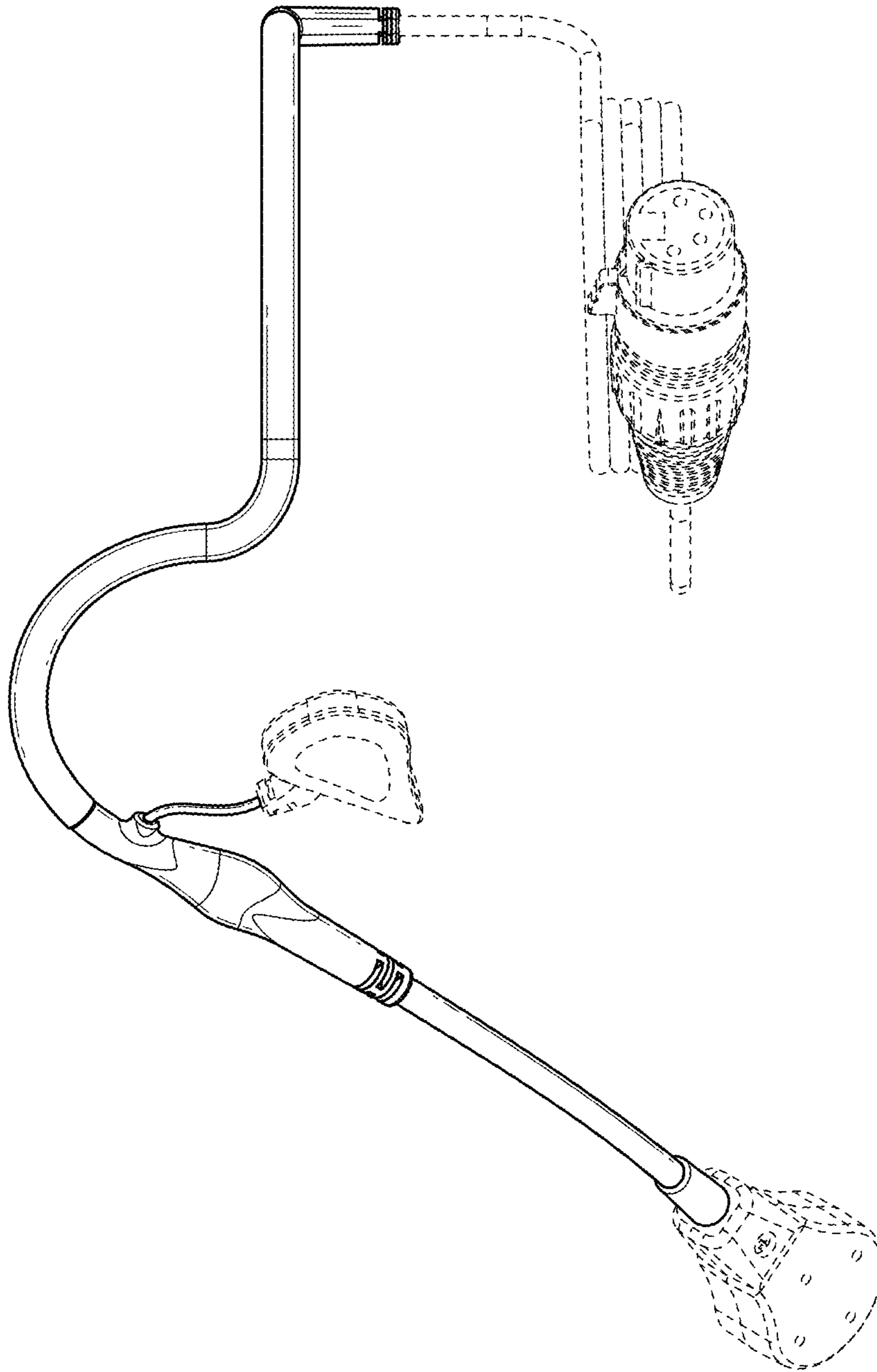


FIG. 5

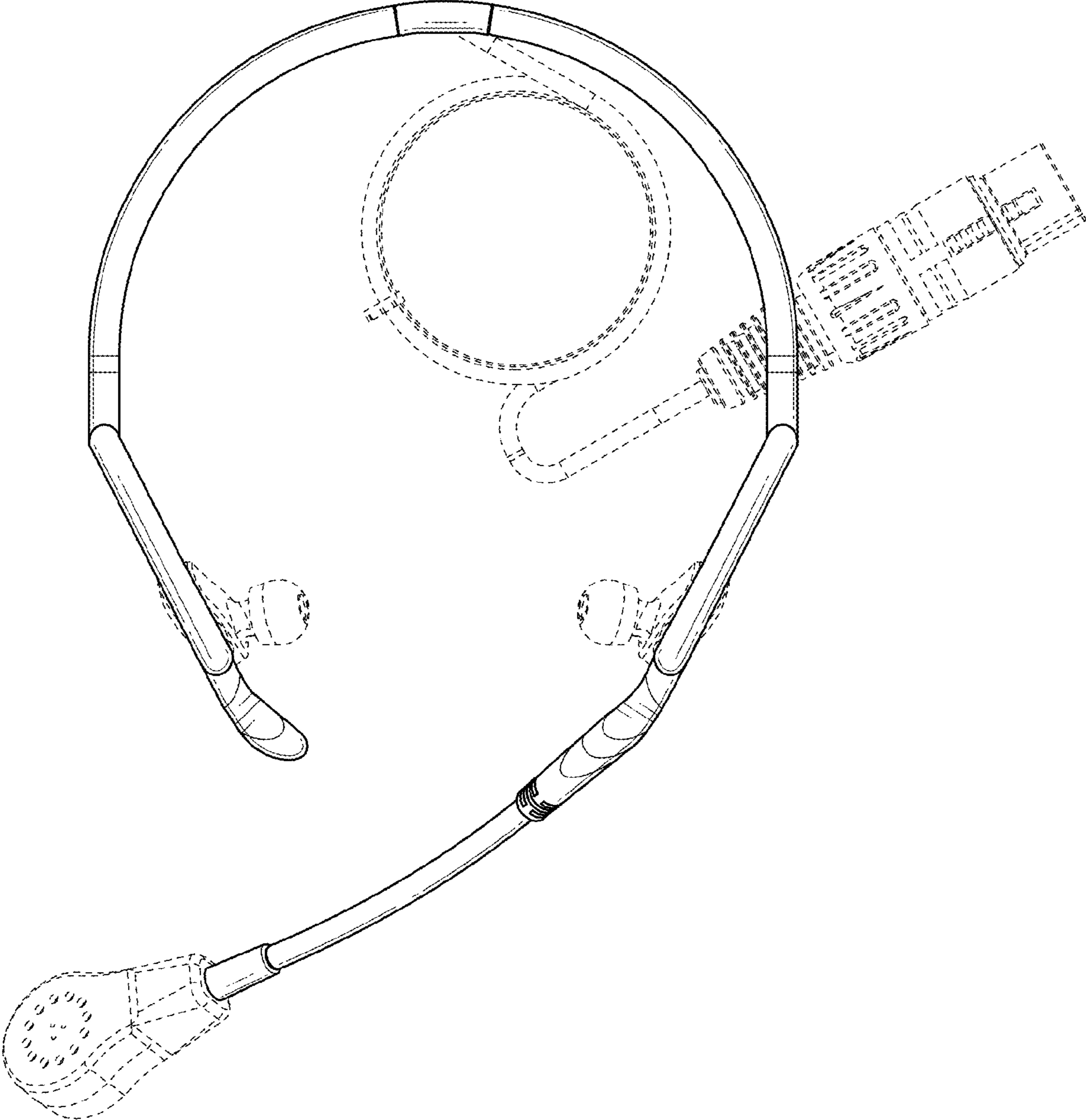


FIG. 6

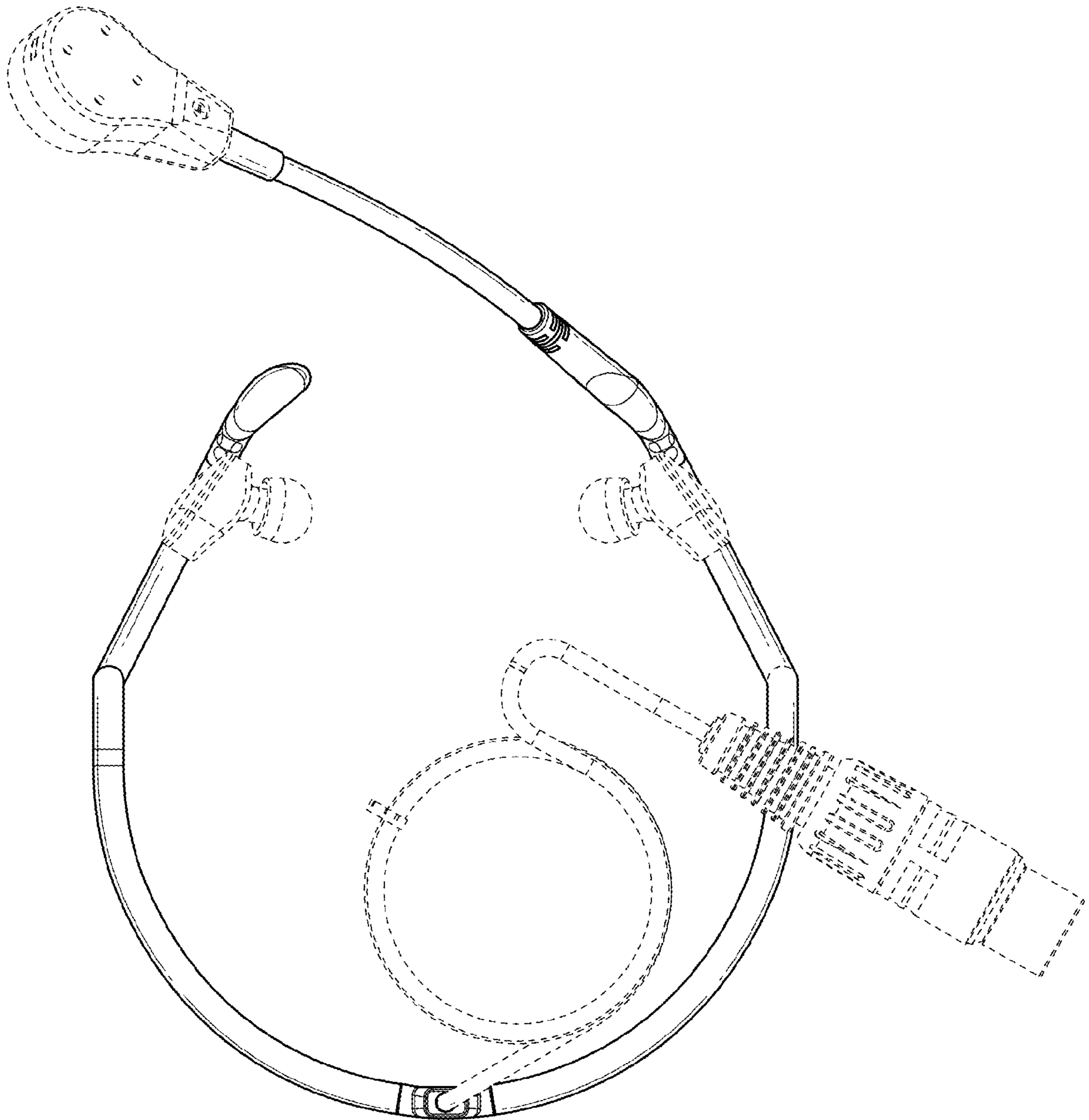


FIG. 7