



US00D985526S

(12) **United States Design Patent** (10) **Patent No.:** **US D985,526 S**
Choi et al. (45) **Date of Patent:** **** May 9, 2023**

(54) **PORTABLE DIGITAL MULTIMEDIA PLAYER**

FOREIGN PATENT DOCUMENTS

(71) Applicant: **LG ELECTRONICS INC.**, Seoul (KR)

KR 300467876.0001 * 11/2007
KR 300901347.0000 * 4/2017

(72) Inventors: **Sanghyun Choi**, Seoul (KR); **Seungil Lee**, Seoul (KR); **Hophil Lee**, Seoul (KR); **Jinwan Bae**, Seoul (KR)

OTHER PUBLICATIONS

(73) Assignee: **LG ELECTRONICS INC.**, Seoul (KR)

Evistr Hi-Fi Digital Audio Player, date first available: May 30, 2022, [retrieved Oct. 19, 2022], Retrieved from Internet, URL: <https://www.amazon.com/dp/B09WMW24M7/ref=sspa_dk_detail_7?psc=1&pd_rd_i=B09WMW24M7&pd_rd_w=rSgqB&content-id=amzn1.sym.46bad%E2%80%A6> (Year: 2022).*

(**) Term: **15 Years**

(Continued)

(21) Appl. No.: **29/796,280**

Primary Examiner — Messina L Smith

(22) Filed: **Jun. 23, 2021**

Assistant Examiner — Aram Kwon

(30) **Foreign Application Priority Data**

(74) *Attorney, Agent, or Firm* — Birch, Stewart, Kolasch & Birch, LLP

Jan. 4, 2021 (KR) 30-2021-0000182

(51) **LOC (14) Cl.** **14-01**

(57) **CLAIM**

(52) **U.S. Cl.**
USPC **D14/203.7**

The ornamental design for a portable digital multimedia player, as shown and described.

(58) **Field of Classification Search**
USPC D14/155–159, 160–173, 187–188, D14/189–198, 203.1–203.8, 204–216, D14/217–222, 225–229, 492, 496, D14/498–506; D21/576, 578, 593, 787; D7/507–511
CPC H04R 1/02; H04R 1/021; H04R 1/025; H04R 1/026; H04R 1/028; H04R 1/06; H04R 1/105; H04R 1/323; H04R 1/403; H04R 1/2803; H04R 1/2834
See application file for complete search history.

DESCRIPTION

FIG. 1 is a front, right side, perspective view of a portable digital multimedia player showing our new design;
FIG. 2 is a front view thereof;
FIG. 3 is a rear view thereof;
FIG. 4 is a left side view thereof;
FIG. 5 is a right side view thereof;
FIG. 6 is a top view thereof;
FIG. 7 is a bottom view thereof;
FIG. 8 is another perspective view of the portable digital multimedia player shown in a state of use; and,
FIG. 9 is another perspective view of the portable digital multimedia player shown in another state of use.
The broken lines indicate portions of the portable digital multimedia player that form no part of the claimed design.

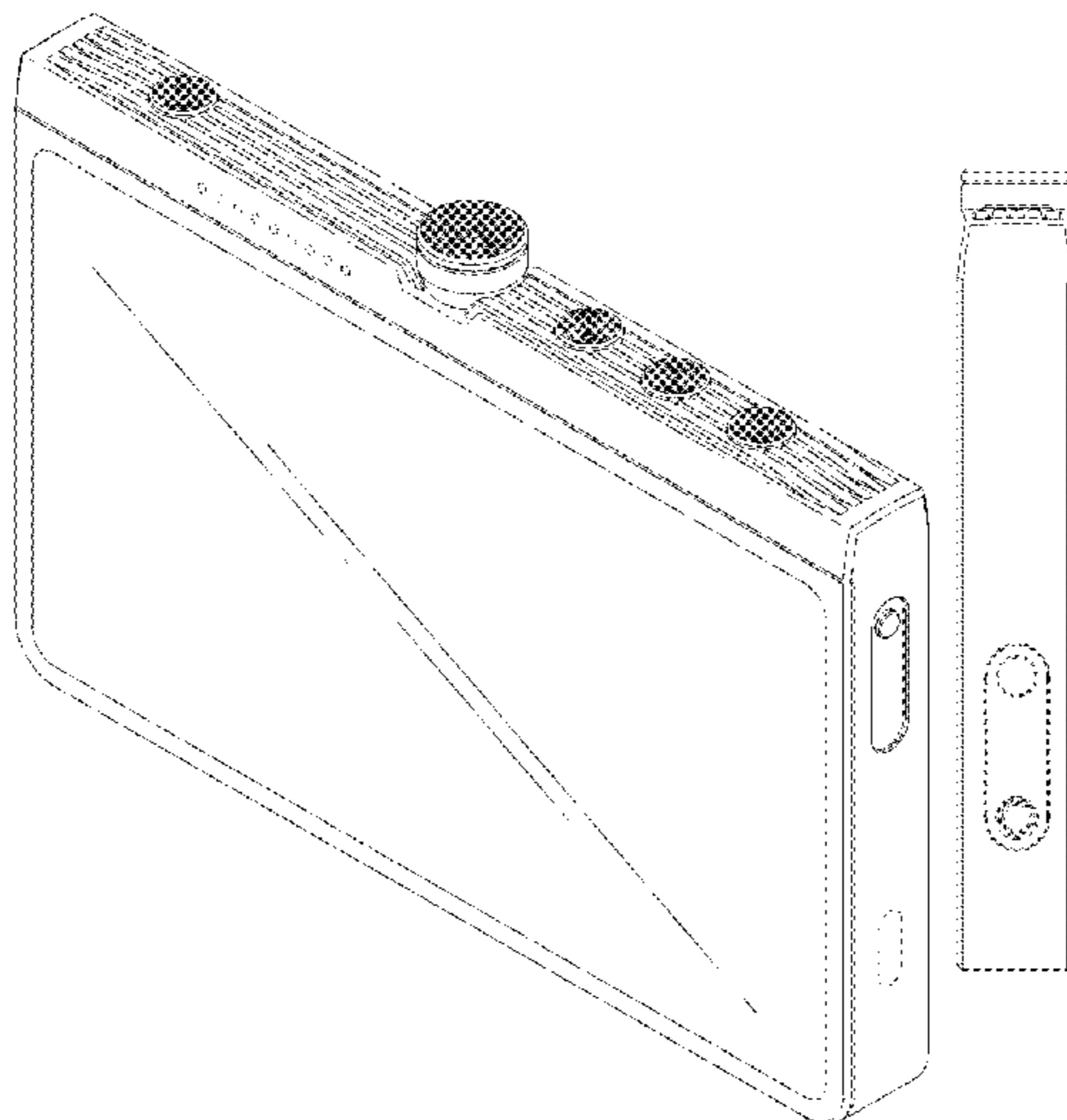
(56) **References Cited**

U.S. PATENT DOCUMENTS

D302,014 S * 7/1989 Ohzu D14/188
D372,242 S * 7/1996 Crane D14/197
D430,138 S * 8/2000 Ben-Moshe D14/196
D699,701 S * 2/2014 Kim D14/203.7

(Continued)

1 Claim, 9 Drawing Sheets



(56)

References Cited

U.S. PATENT DOCUMENTS

D712,870 S * 9/2014 Kim D14/203.7
D747,288 S * 1/2016 Han D14/203.3
D787,468 S * 5/2017 Lee D14/203.3
D792,371 S * 7/2017 Kim D14/203.7
D808,357 S * 1/2018 Kim D14/203.7
D828,324 S * 9/2018 Jeong D14/203.7
D871,358 S * 12/2019 Kim D14/126
D883,948 S * 5/2020 Kim D14/203.7
D901,432 S * 11/2020 Kim D14/203.7
D901,433 S * 11/2020 Jeong D14/203.7
D905,656 S * 12/2020 Chen D14/203.3
D962,191 S * 8/2022 Kim D14/203.7
D966,227 S * 10/2022 Hwang D14/203.7
D975,671 S * 1/2023 He D14/197
D976,226 S * 1/2023 He D14/197
D976,227 S * 1/2023 Jeong D14/203.7

OTHER PUBLICATIONS

Hidizs AP80 Pro-X, review date: Dec. 31, 2021, [retrieved Oct. 19, 2022], Retrieved from Internet, URL: <https://www.hidizs.net/products/ap80-pro-x-fully-balanced-lossless-music-player-ayfk?variant=7e028e56-620d-43c7-ac76-f6b304008bd5&utm_campaign=E2%80%A6> (Year: 2021).*

Colorfly U8 Review, Nov. 7, 2018, [retrieved Oct. 19, 2022], Retrieved from Internet, URL: <<https://headfonics.com/colorfly-u8-review/>> (Year: 2018).*

Questyle QP2R, date not available, [retrieved Oct. 19, 2022], Retrieved from Internet, URL: <https://www.audioadvice.com/qp2r+color-Gold?gclid=EAlaIQobChMI_7yYyMDt-glVC_nlCh0smg4FEAQYCiABEgKzAPD_BwE> (Year: 2022).*

* cited by examiner

FIG. 1

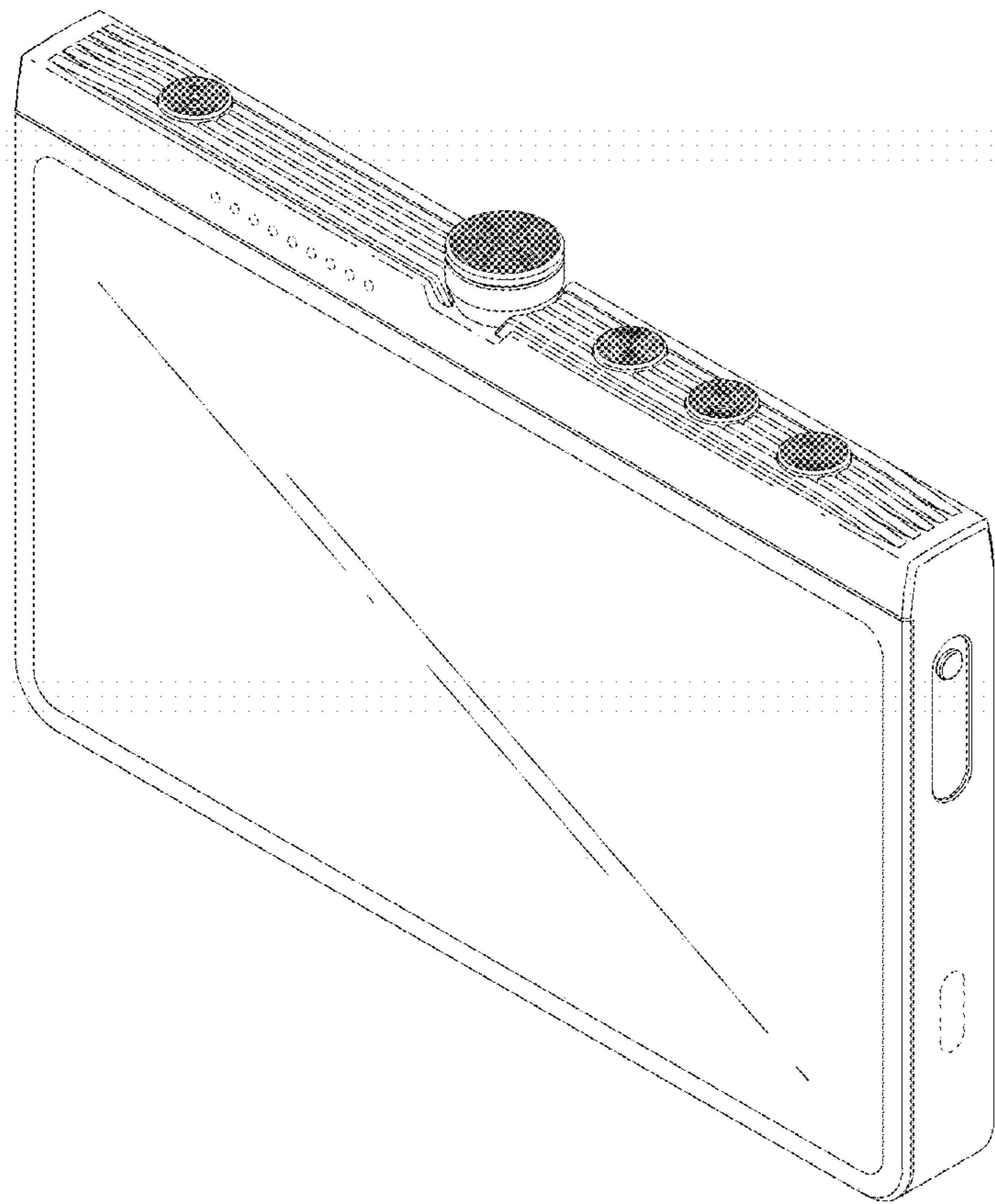


FIG. 2

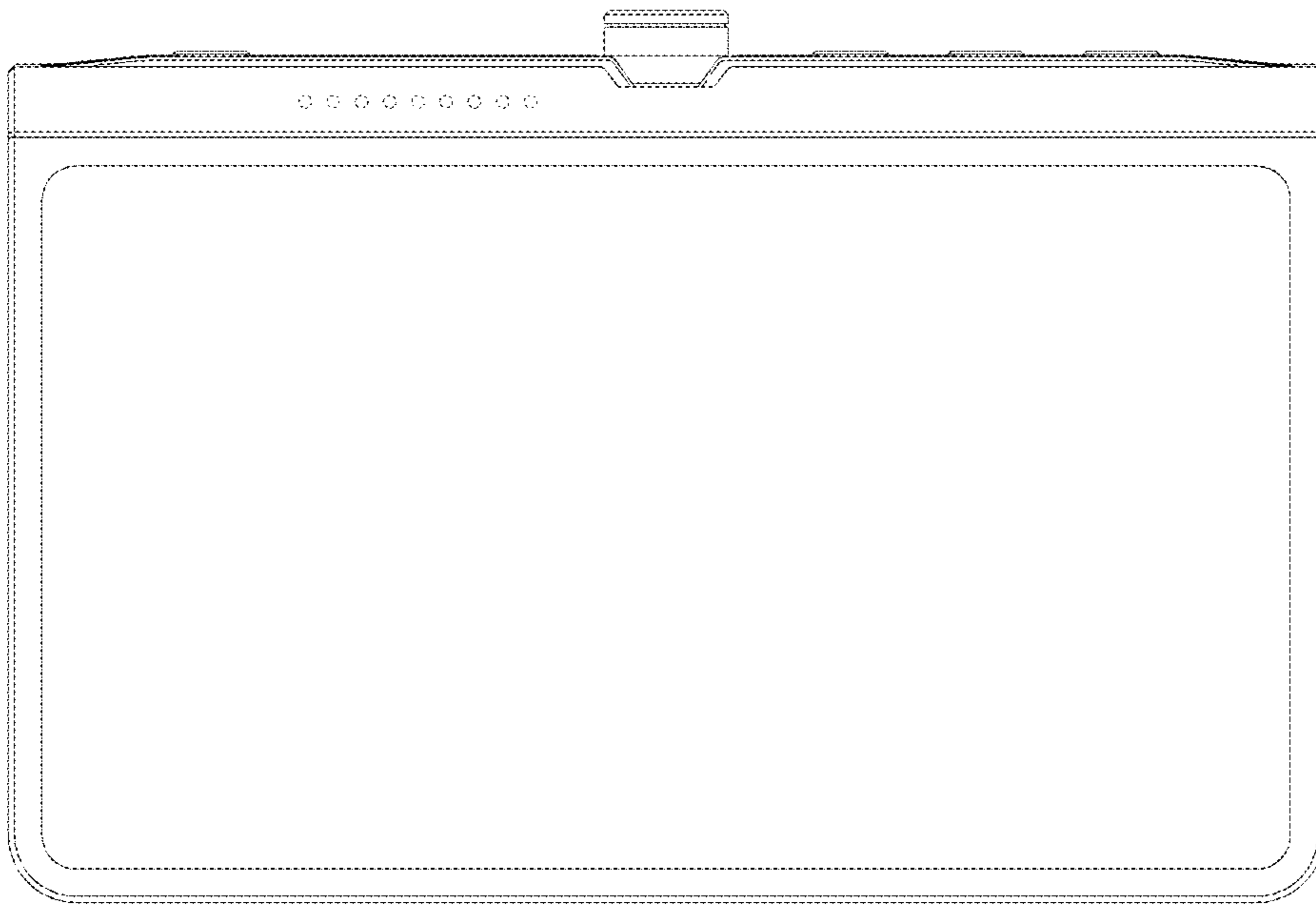


FIG. 3

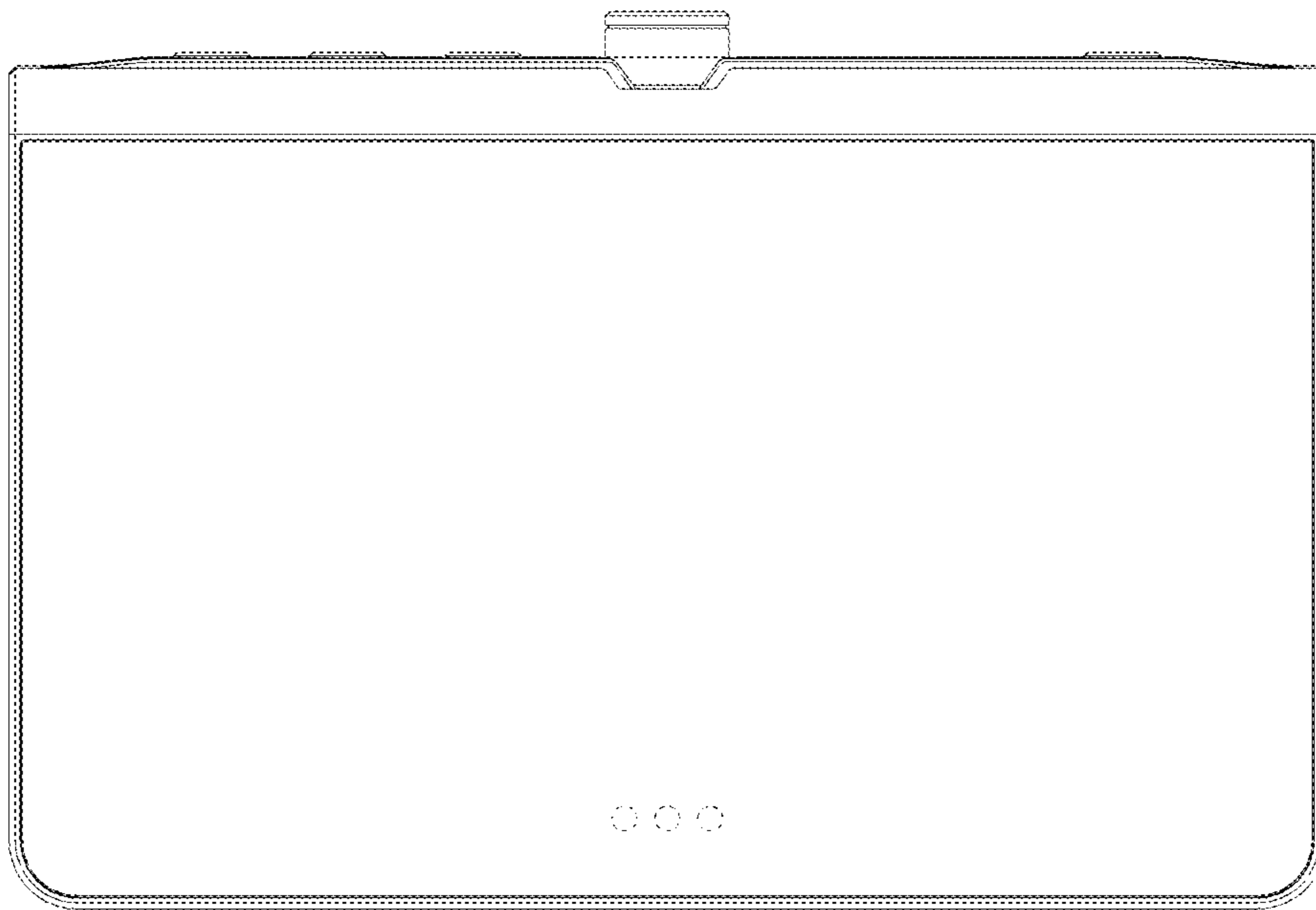


FIG. 4

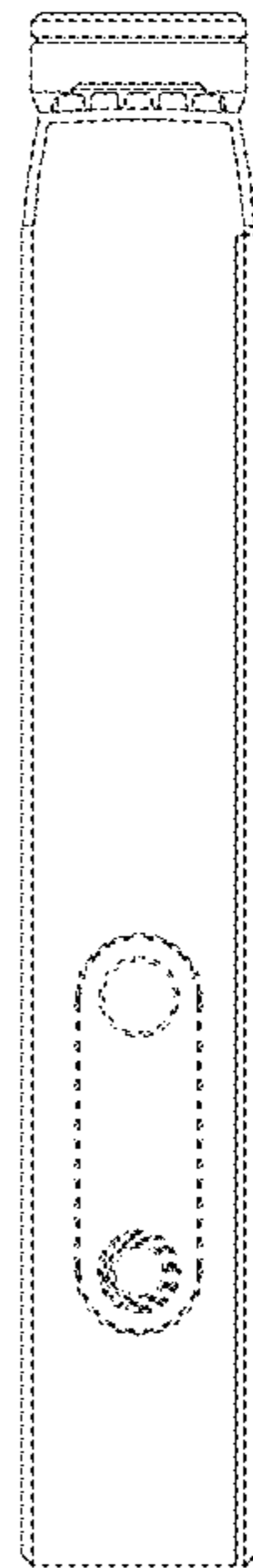


FIG. 5

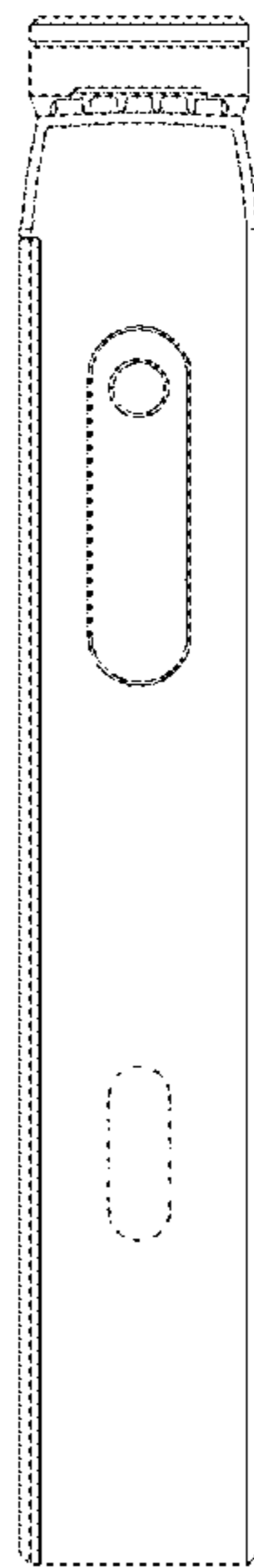


FIG. 6

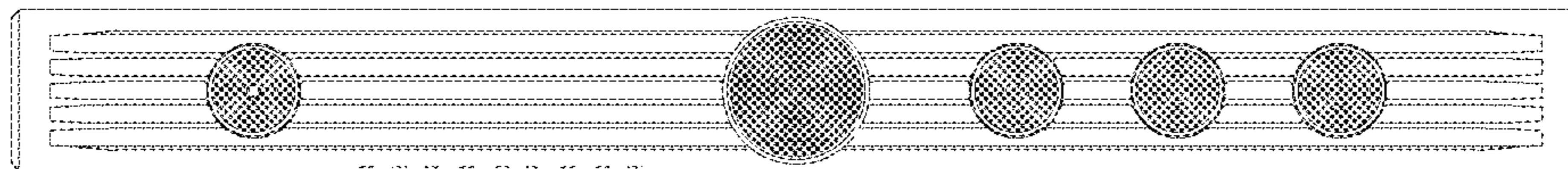


FIG. 7



FIG. 8

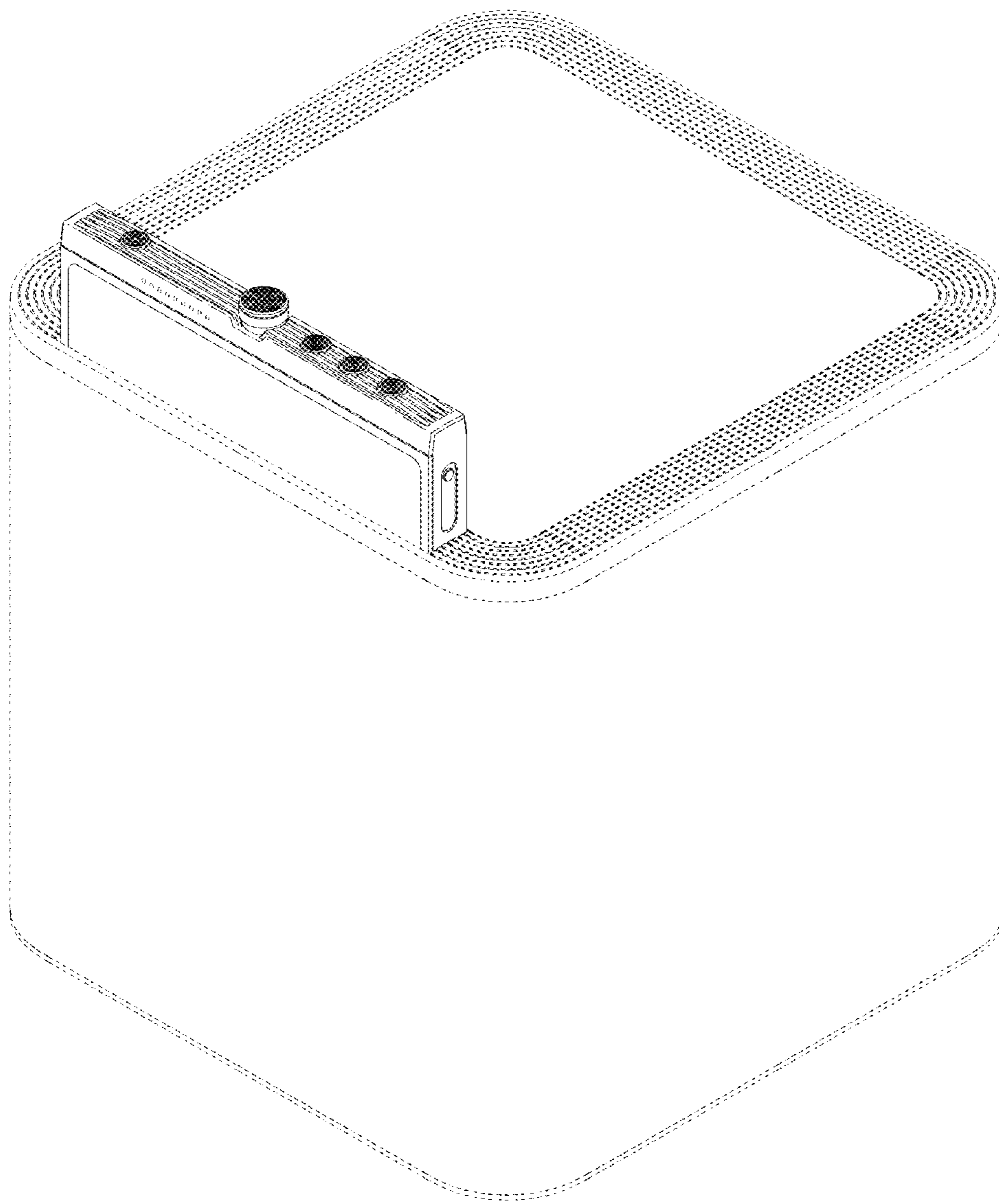


FIG. 9

