



US00D985523S

(12) **United States Design Patent**  
**Pang**

(10) **Patent No.:** **US D985,523 S**

(45) **Date of Patent:** **\*\* May 9, 2023**

(54) **FM TRANSMITTER**

(71) Applicant: **SHENZHEN QIANHAI PATUOXUN NETWORK AND TECHNOLOGY CO., LTD.**, Shenzhen (CN)

(72) Inventor: **Hao Pang**, Shenzhen (CN)

(73) Assignee: **SHENZHEN QIANHAI PATUOXUN NETWORK AND TECHNOLOGY CO., LTD.**, Shenzhen (CN)

(\*\*) Term: **15 Years**

(21) Appl. No.: **29/780,225**

(22) Filed: **Apr. 23, 2021**

(51) **LOC (14) Cl.** ..... **14-03**

(52) **U.S. Cl.**  
USPC ..... **D14/155**

(58) **Field of Classification Search**  
USPC ..... D14/167, 154, 168, 188, 496, 156, 160,  
D14/161, 162, 163, 164, 165, 158, 341,  
D14/346, 342, 345, 137, 155, 218, 225;  
D16/208; D26/38; 455/351, 350;  
D10/104.1, 106, 65  
CPC .... H04B 1/385; H04M 1/6091; H04M 1/6066  
See application file for complete search history.

(56) **References Cited**

**U.S. PATENT DOCUMENTS**

D873,233 S \* 1/2020 Du ..... D14/155  
D873,234 S \* 1/2020 Du ..... D14/155

D875,063 S \* 2/2020 Du ..... D14/155  
D897,982 S \* 10/2020 Du ..... D14/155  
D898,696 S \* 10/2020 Du ..... D14/155  
D898,697 S \* 10/2020 Du ..... D14/155  
D909,329 S \* 2/2021 Zhou ..... D14/155  
D929,957 S \* 9/2021 Ba ..... D14/155  
D932,455 S \* 10/2021 Zhou ..... D14/155  
D969,101 S \* 11/2022 Miao ..... D14/155

\* cited by examiner

*Primary Examiner* — Austin Murphy

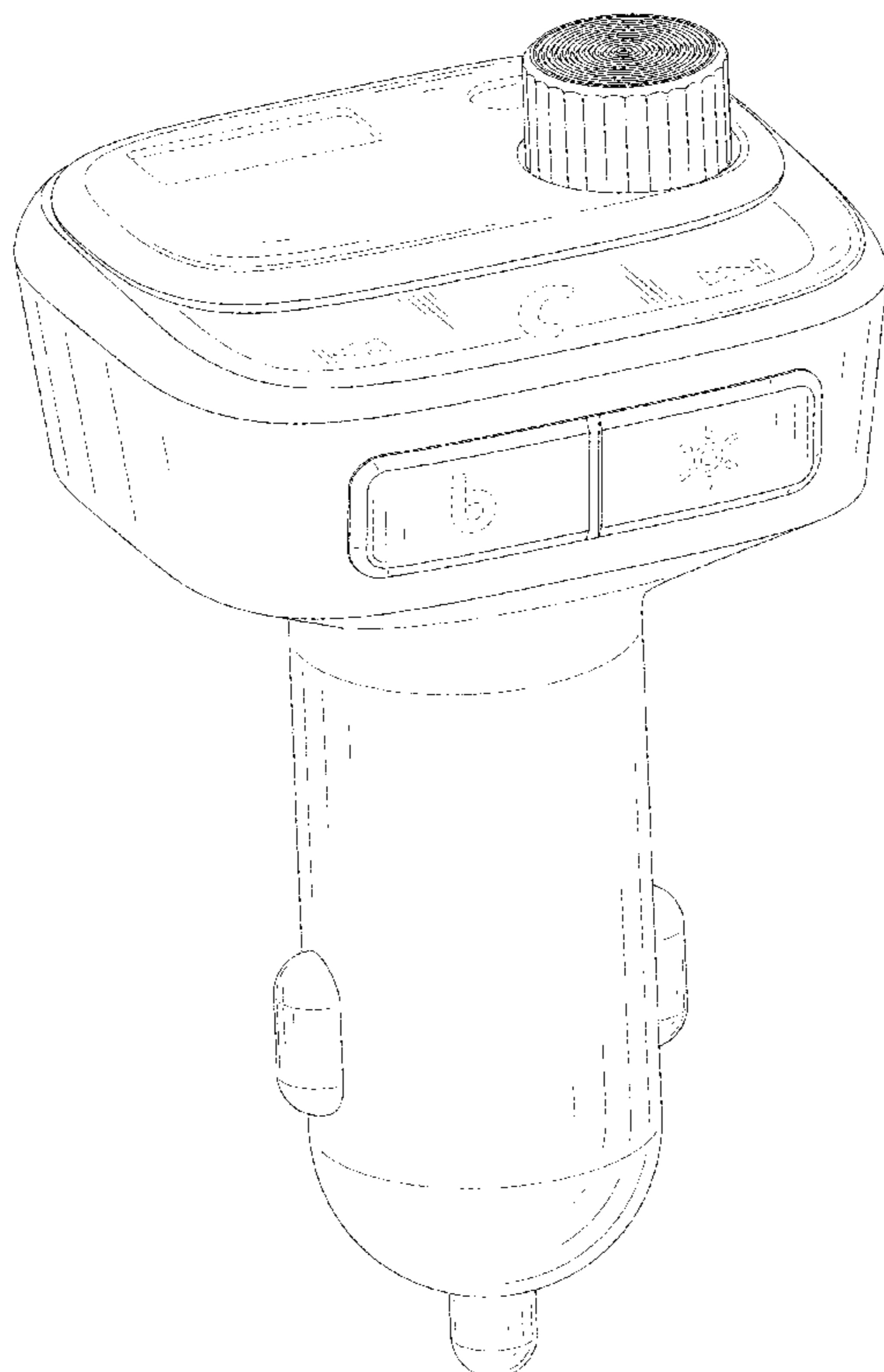
(57) **CLAIM**

The ornamental design for a FM transmitter, as shown and described.

**DESCRIPTION**

FIG. 1 is a perspective view of a FM transmitter showing my new design;  
FIG. 2 is another perspective view thereof;  
FIG. 3 is a front elevational view thereof;  
FIG. 4 is a rear elevational view thereof;  
FIG. 5 is a left side elevational view thereof;  
FIG. 6 is a right side elevational view thereof;  
FIG. 7 is a top plan view thereof; and,  
FIG. 8 is a bottom plan view thereof.  
The broken lines in the drawings depict portions of the FM transmitter that form no part of the claimed design.

**1 Claim, 8 Drawing Sheets**



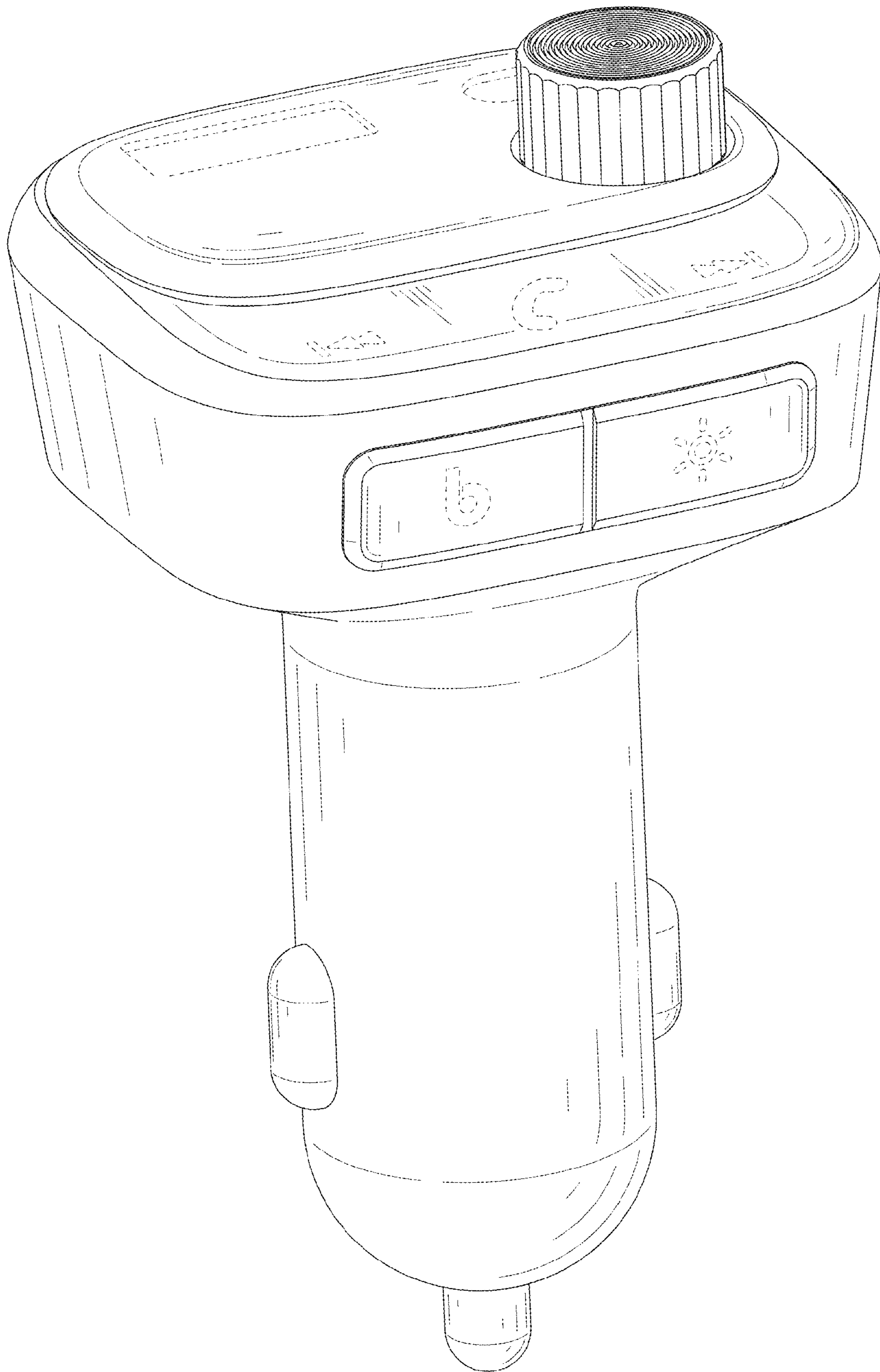


FIG. 1

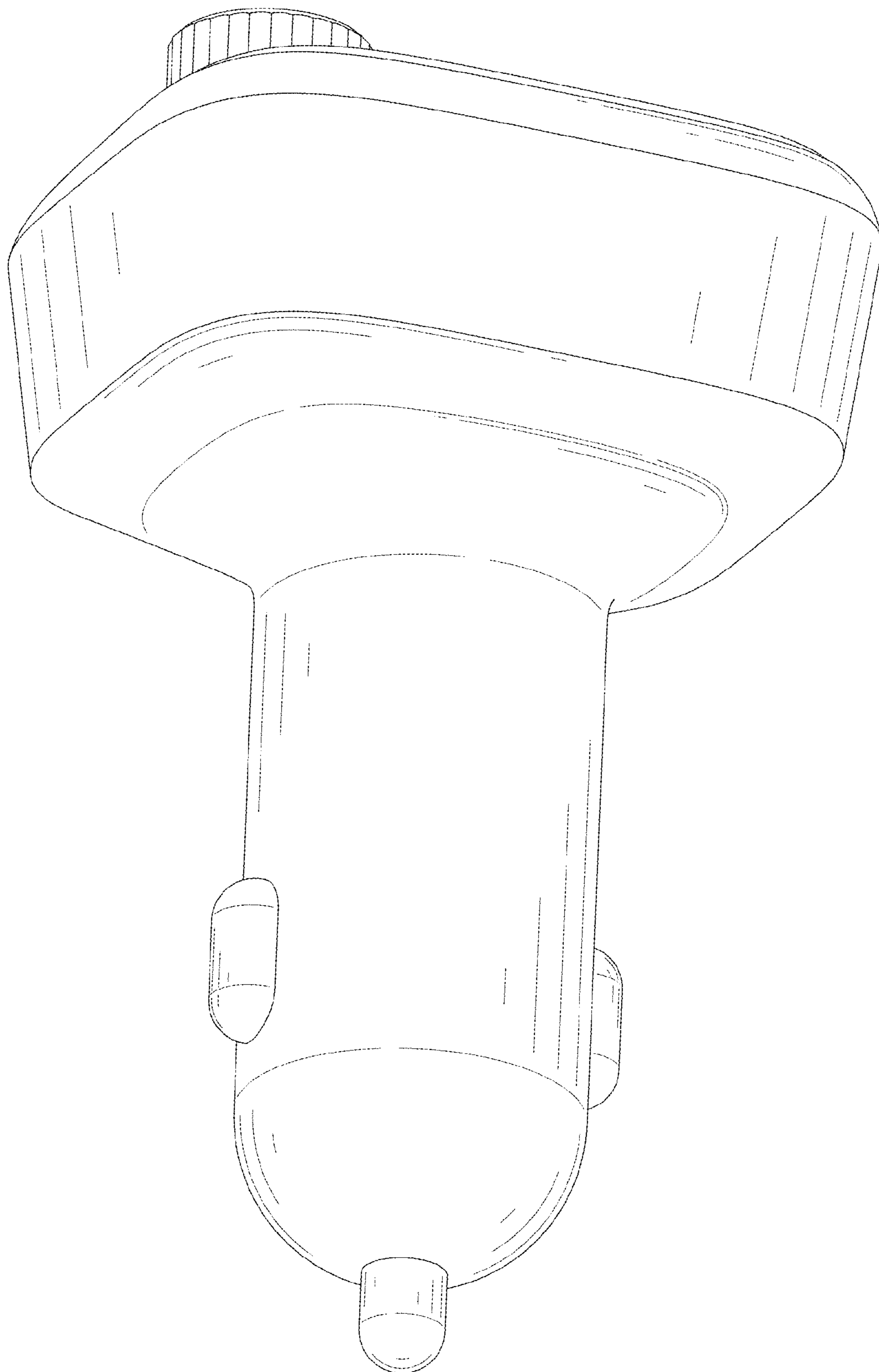


FIG. 2

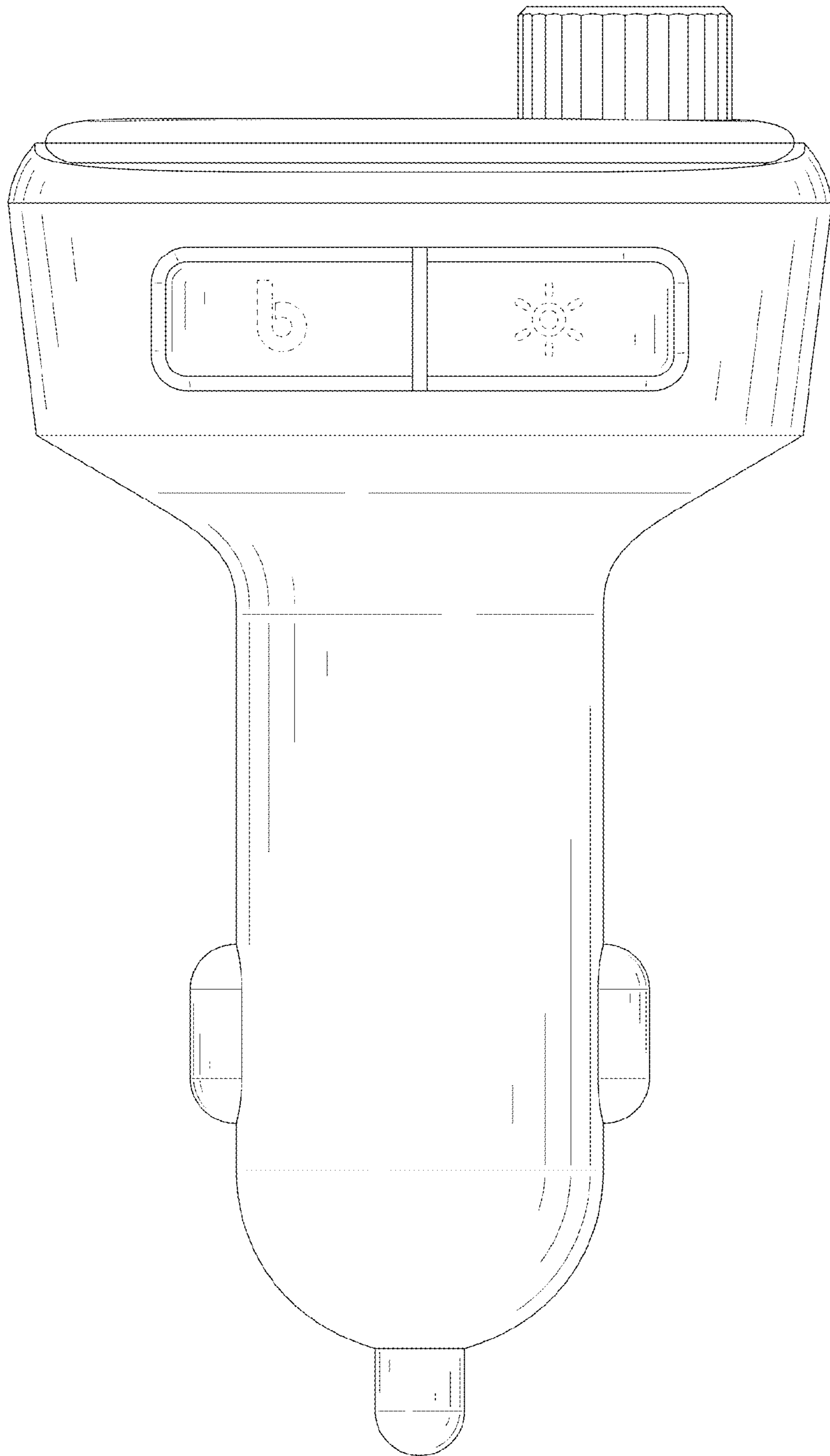


FIG. 3

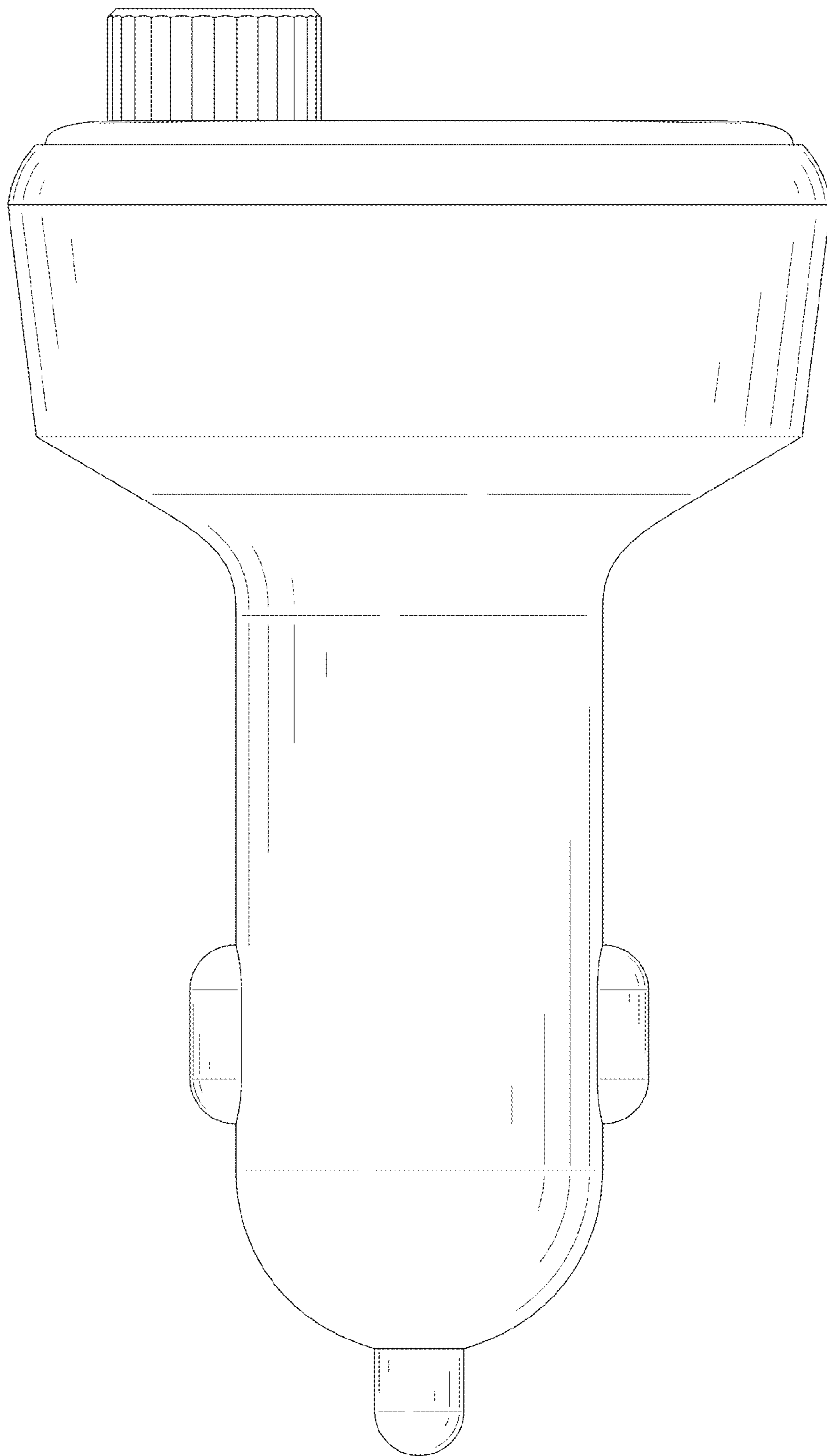


FIG. 4

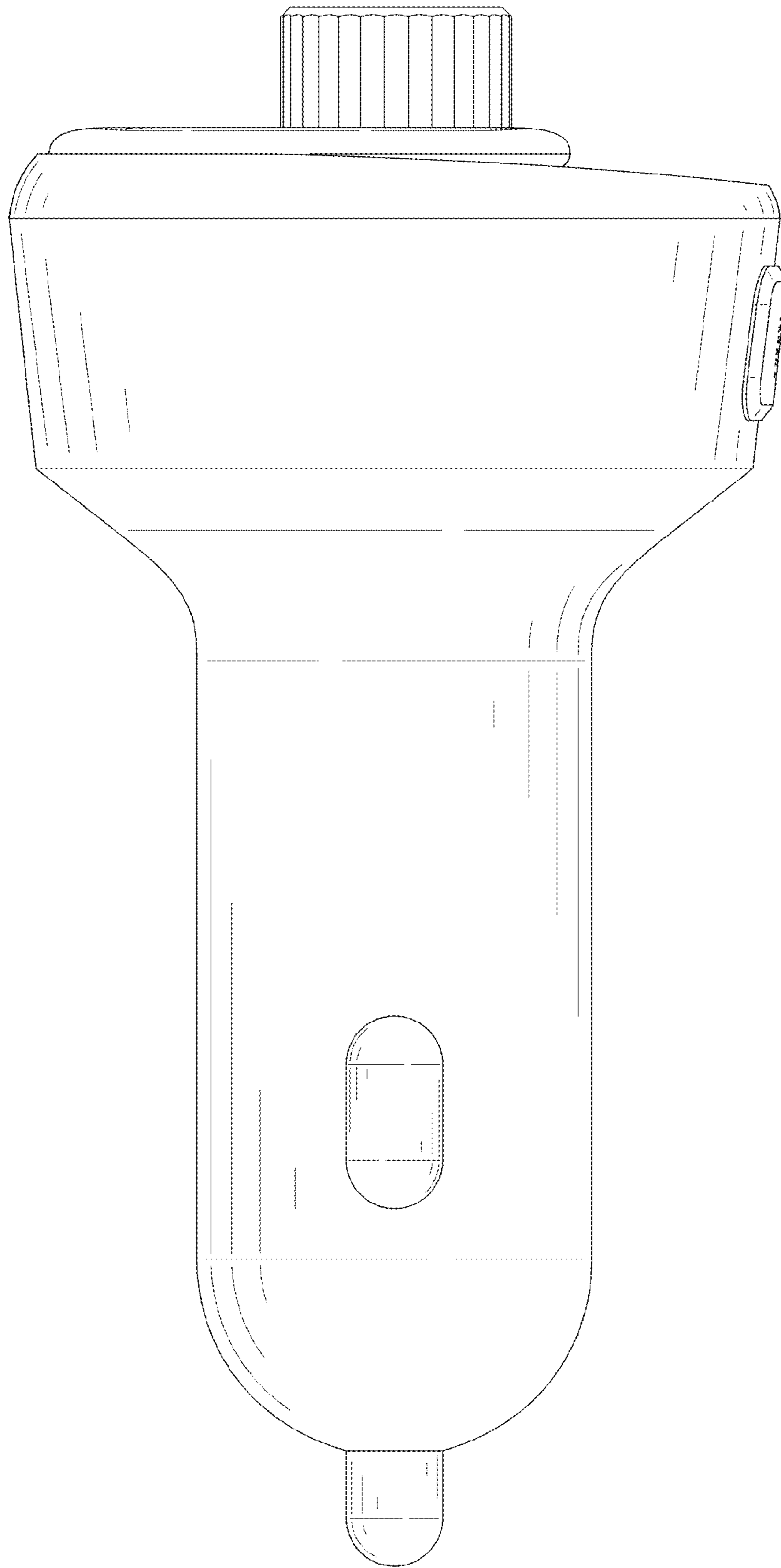


FIG. 5

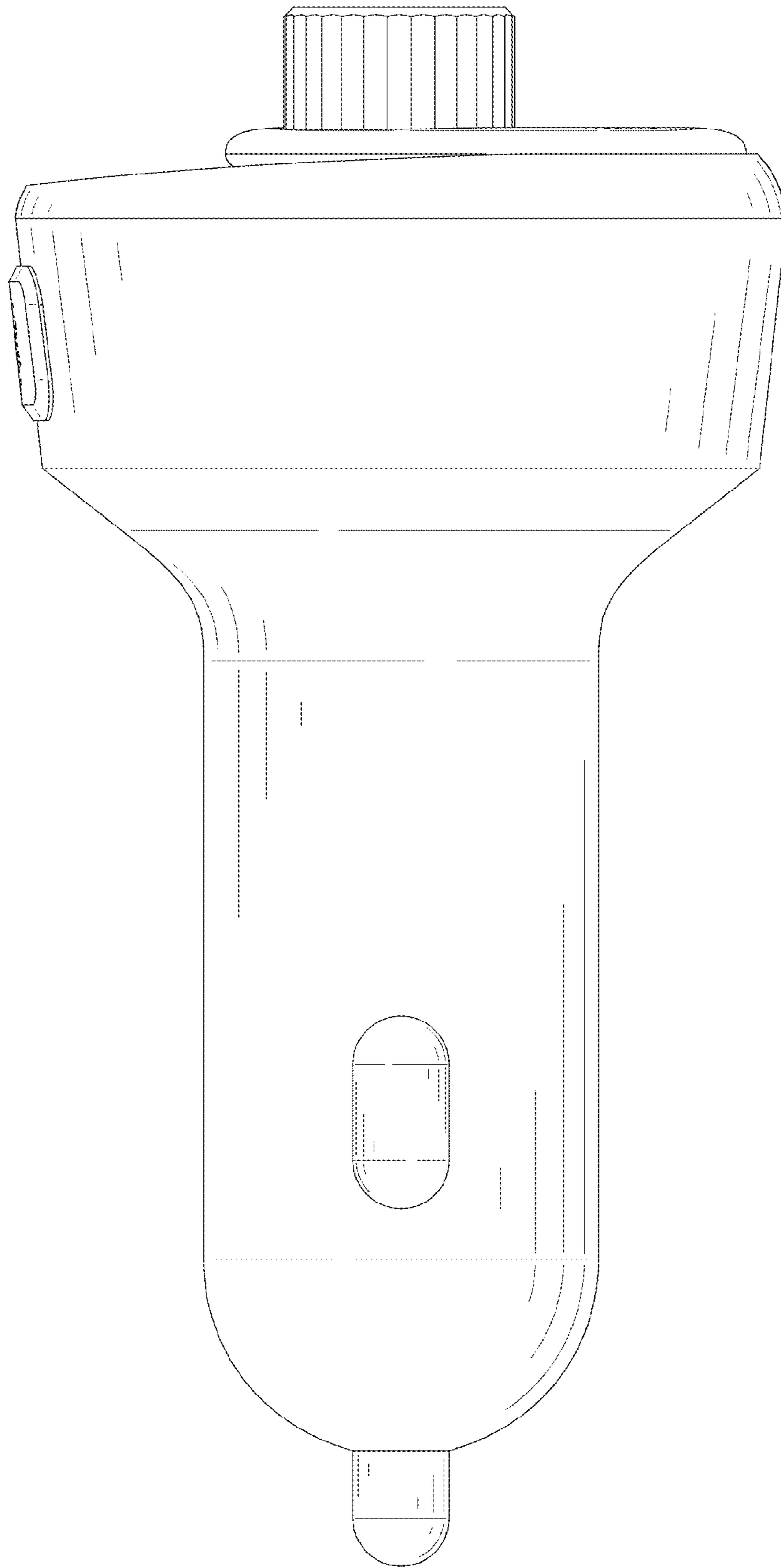


FIG. 6

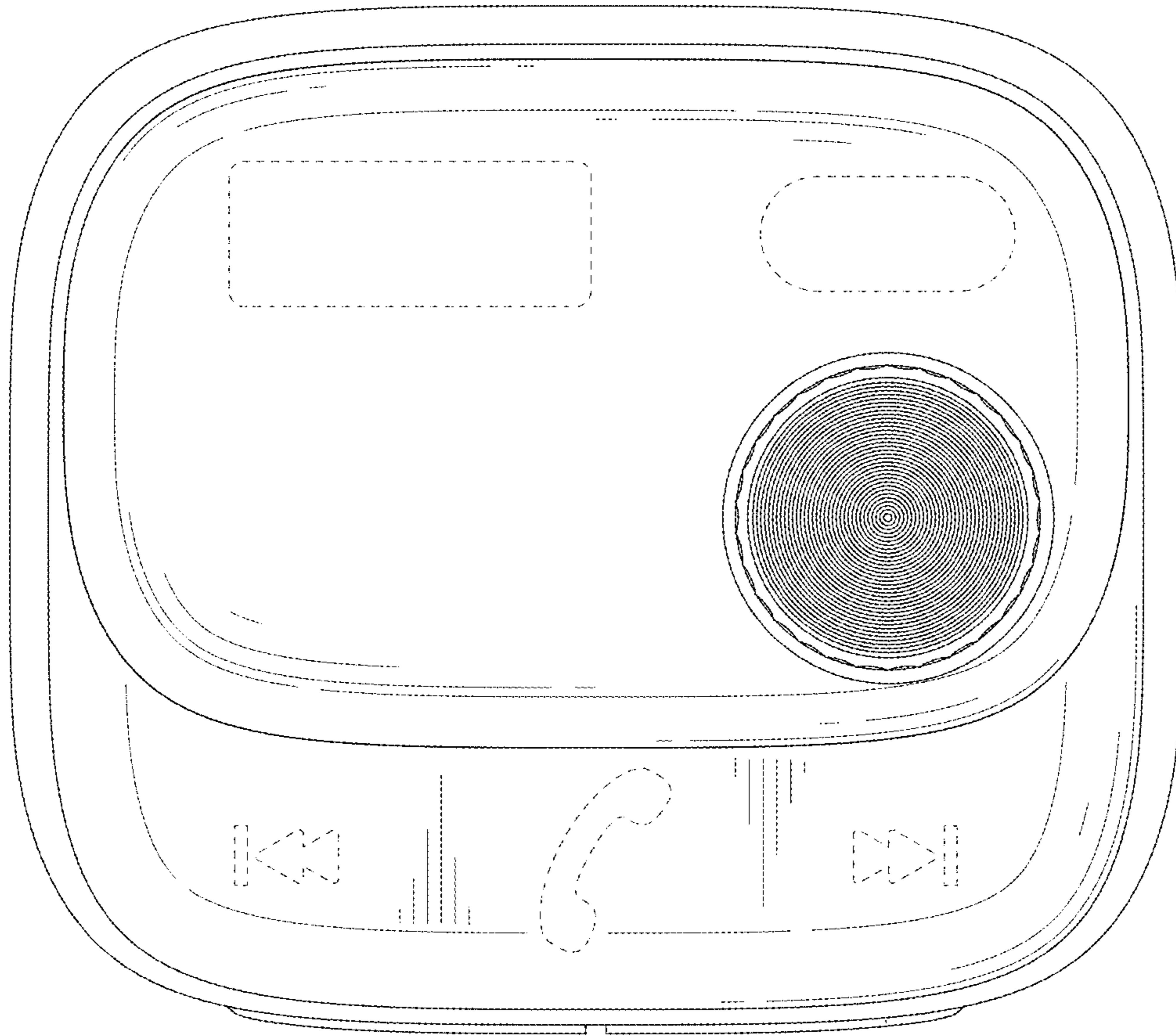


FIG. 7



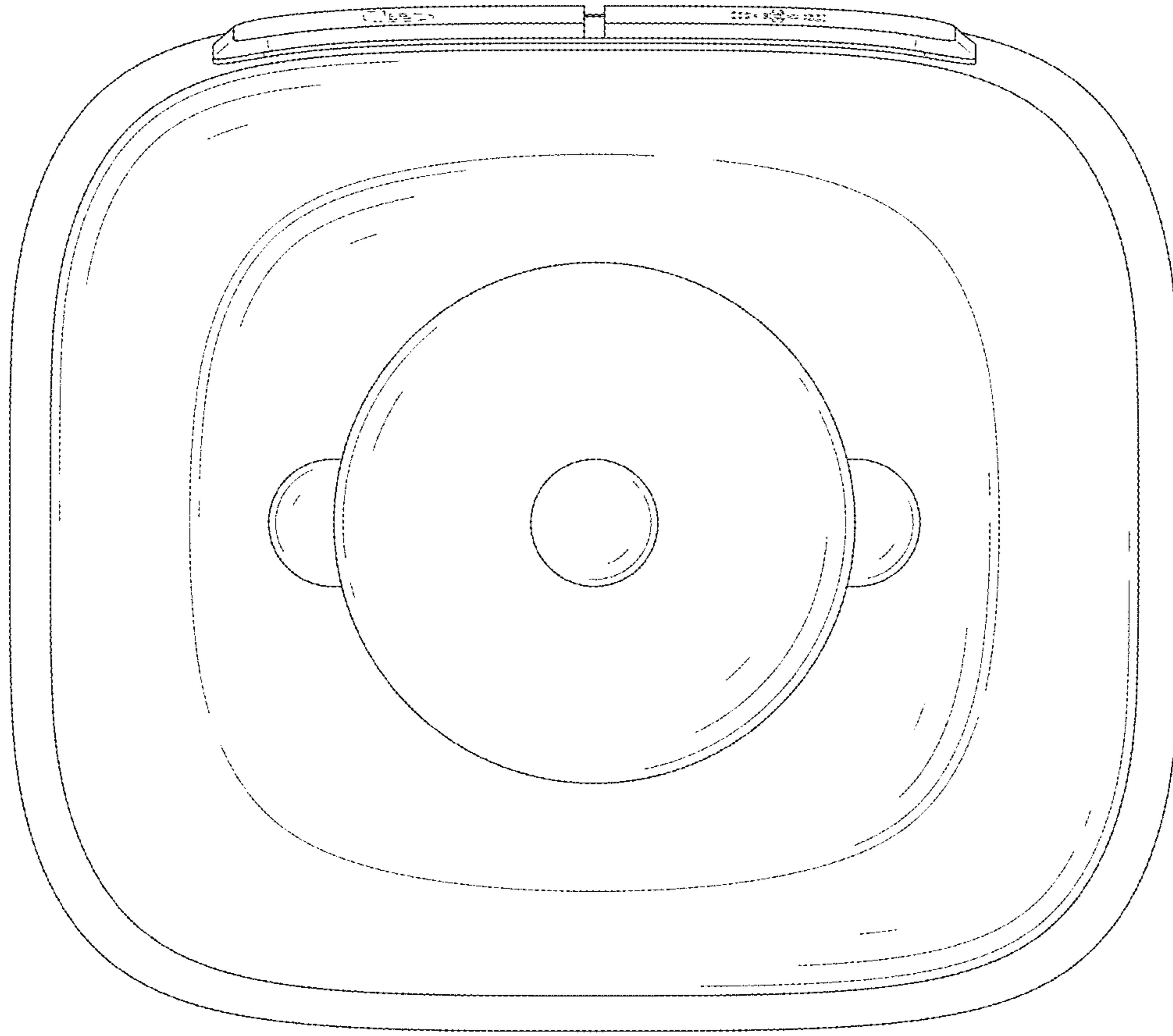


FIG. 8