



US00D985522S

(12) **United States Design Patent**  
**Chang et al.**

(10) **Patent No.:** **US D985,522 S**  
(45) **Date of Patent:** **\*\* May 9, 2023**

(54) **BLUETOOTH RECEIVER**

(71) Applicant: **Quanta Computer Inc.**, Taoyuan (TW)

(72) Inventors: **Chia-Yuan Chang**, Taoyuan (TW);  
**Jung-Wen Chang**, Taoyuan (TW);  
**Kao-Yu Hsu**, Taoyuan (TW);  
**Tung-Han Lee**, Taoyuan (TW)

(73) Assignee: **QUANTA COMPUTER INC.**,  
Taoyuan (TW)

(\*\*) Term: **15 Years**

(21) Appl. No.: **29/746,839**

(22) Filed: **Aug. 18, 2020**

(30) **Foreign Application Priority Data**

Jun. 22, 2020 (TW) ..... 109303354

(51) **LOC (14) Cl.** ..... **14-03**

(52) **U.S. Cl.**  
USPC ..... **D14/155**

(58) **Field of Classification Search**

USPC ..... D14/125, 129, 130, 137, 140, 142, 155,  
D14/168, 172, 188, 195, 203.1, 203.6,  
D14/203.8, 204, 209, 209.1, 216, 230,  
D14/231, 233, 235, 236, 237, 240, 242,  
D14/299, 300, 302, 348, 351, 356, 357,  
D14/358, 361, 362, 365, 367, 370, 388,  
D14/432, 434, 496; D13/103, 107, 108,  
D13/123, 152, 158, 162, 162.1, 163, 168,  
D13/184, 199; D10/104.1, 106.2, 106.3,  
D10/106.5, 106.6

CPC ... H04W 88/08; H04W 88/085; H04W 88/00;  
H04W 88/005; H04W 88/02; H04W  
88/12; H04W 88/14; H04W 88/16; H04W  
88/18; H04W 4/00; H04B 1/38

See application file for complete search history.

(56) **References Cited**

U.S. PATENT DOCUMENTS

D520,502 S *	5/2006	Xu .....	D14/356
D542,784 S *	5/2007	Franck .....	D14/240
D642,158 S *	7/2011	Skurdal .....	D14/214
D661,680 S *	6/2012	Wei .....	D14/155
D718,735 S *	12/2014	Lockenwitz .....	D14/155
D816,057 S *	4/2018	Jue .....	D14/155
D833,411 S *	11/2018	Castle .....	D14/155
D871,510 S *	12/2019	Martisauskas .....	D21/423
D881,153 S *	4/2020	Fang .....	D14/155
D896,802 S *	9/2020	Ramones .....	D14/240
D903,588 S *	12/2020	Shoemake .....	D13/103
D912,005 S *	3/2021	Zhang .....	D14/155
D917,388 S *	4/2021	Bonilla .....	D13/108
D918,883 S *	5/2021	Liao .....	D14/242
D935,429 S *	11/2021	Green .....	D14/155
D938,946 S *	12/2021	Harley .....	D14/242
D945,986 S *	3/2022	Scala .....	D14/242
D951,899 S *	5/2022	Cai .....	D14/433

\* cited by examiner

*Primary Examiner* — Austin Murphy

(74) *Attorney, Agent, or Firm* — McClure, Qualey & Rodack, LLP

(57) **CLAIM**

The ornamental design for a Bluetooth receiver, as shown and described.

**DESCRIPTION**

FIG. 1 is a front, right, bottom perspective view of a Bluetooth receiver, showing our new design;

FIG. 2 is a front view thereof;

FIG. 3 is a rear view thereof;

FIG. 4 is a left side view thereof;

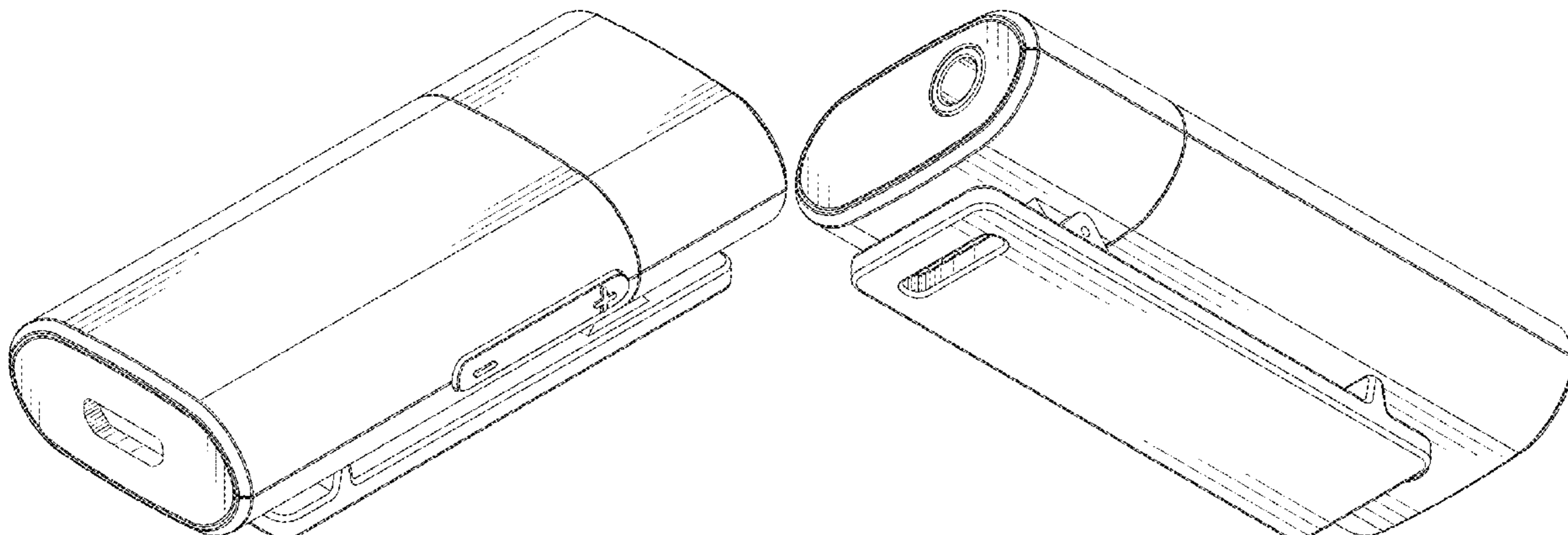
FIG. 5 is a right side view thereof;

FIG. 6 is a top plan view thereof;

FIG. 7 is a bottom plan view thereof; and,

FIG. 8 is a rear, left, top perspective view thereof.

**1 Claim, 8 Drawing Sheets**



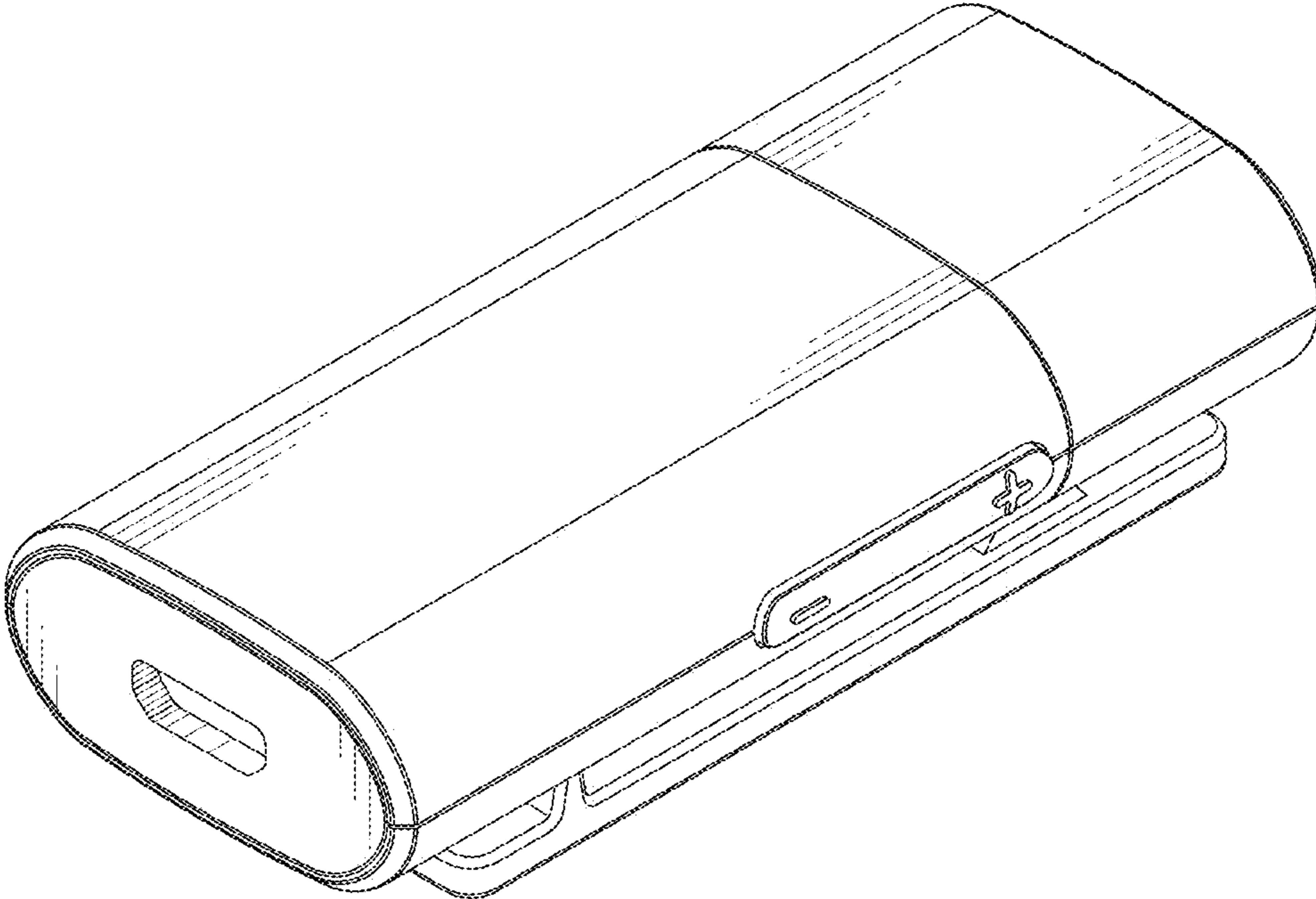


FIG. 1

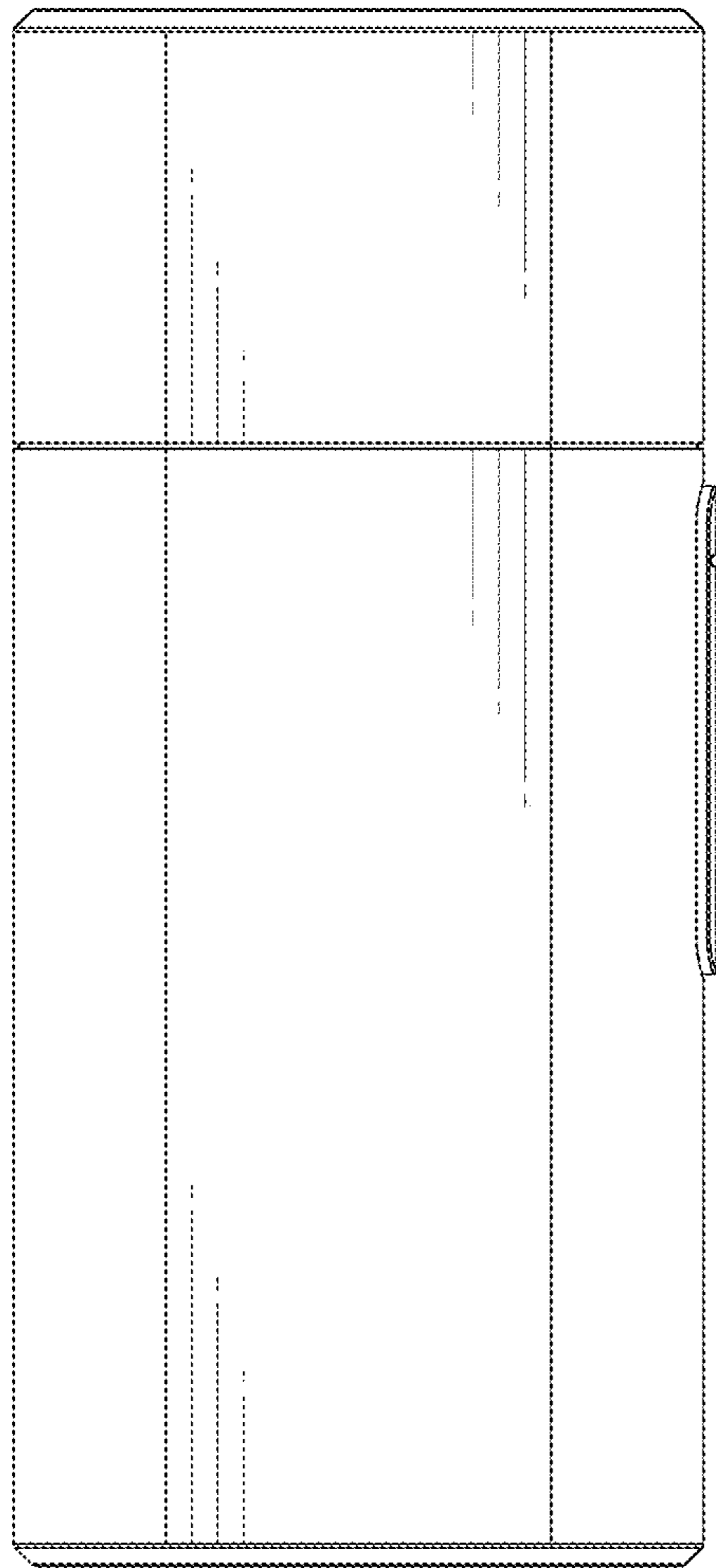


FIG. 2

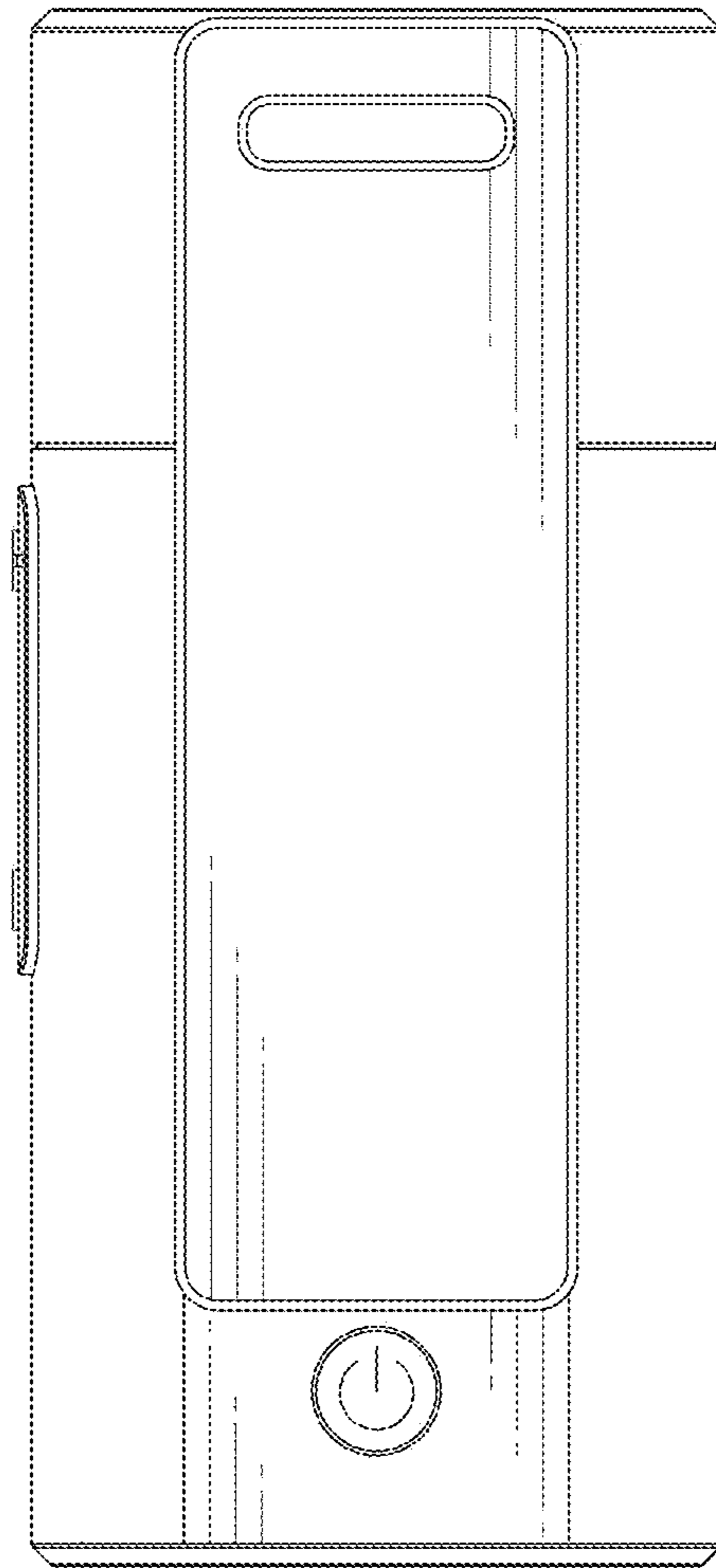


FIG. 3

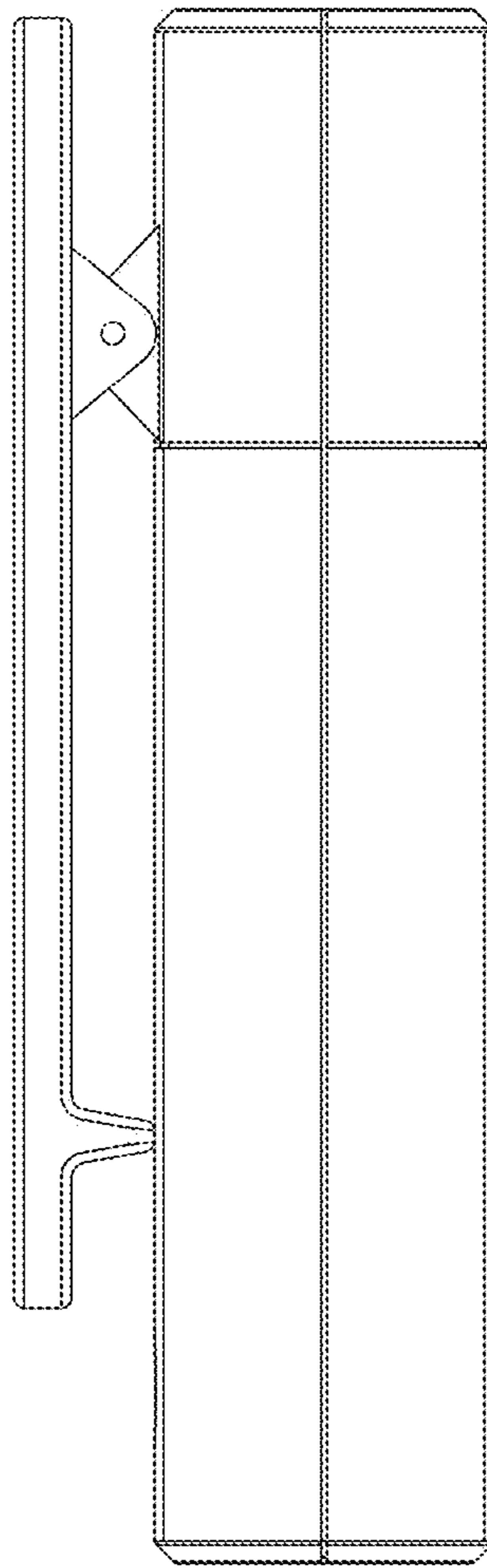


FIG. 4

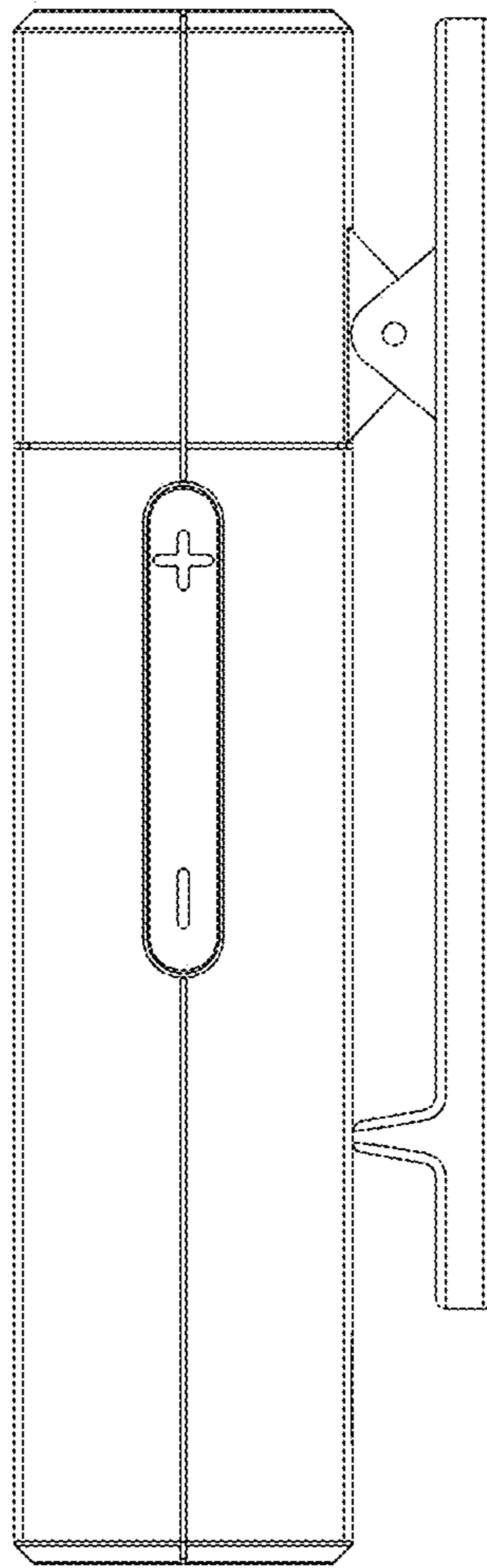


FIG. 5

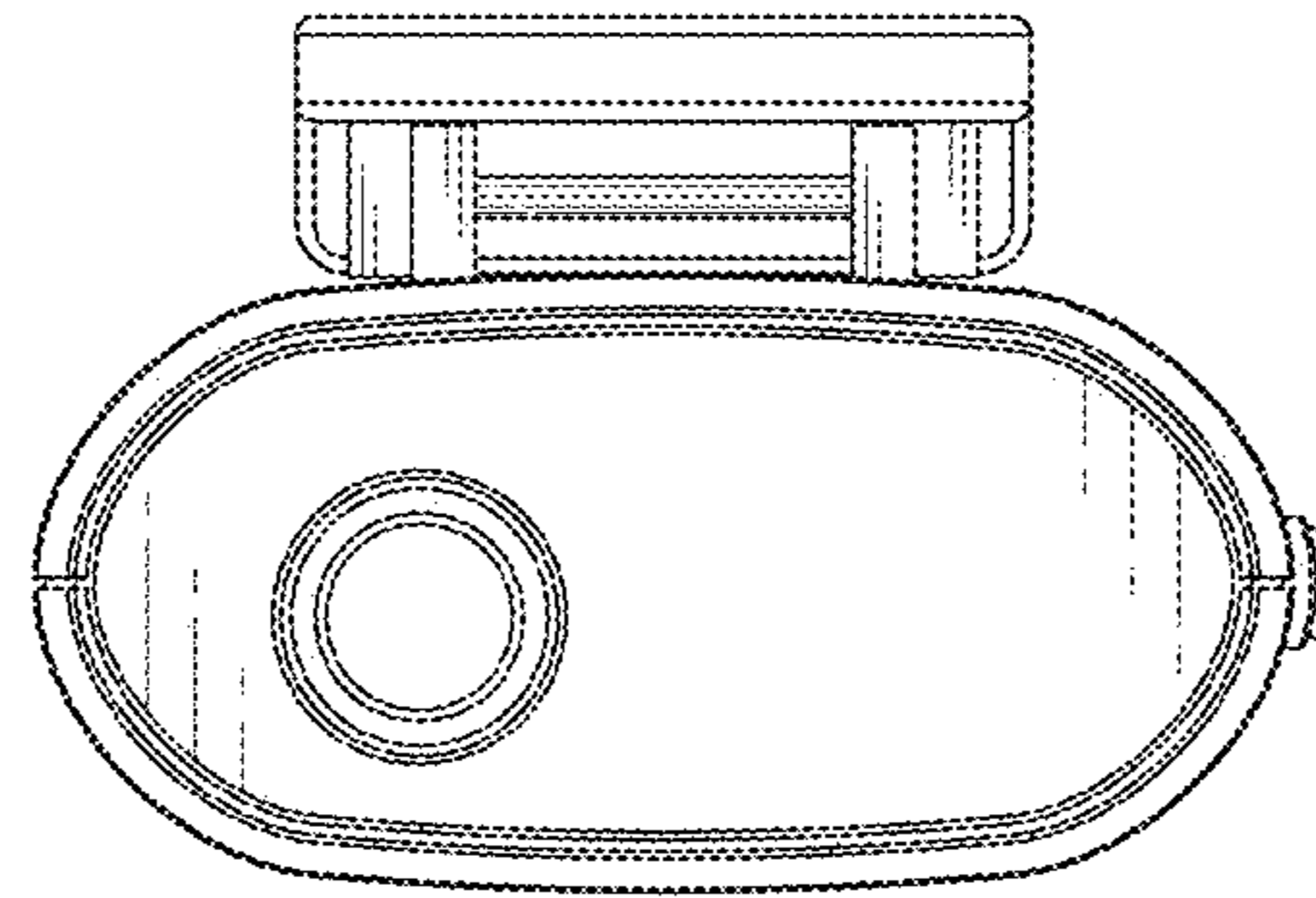


FIG. 6

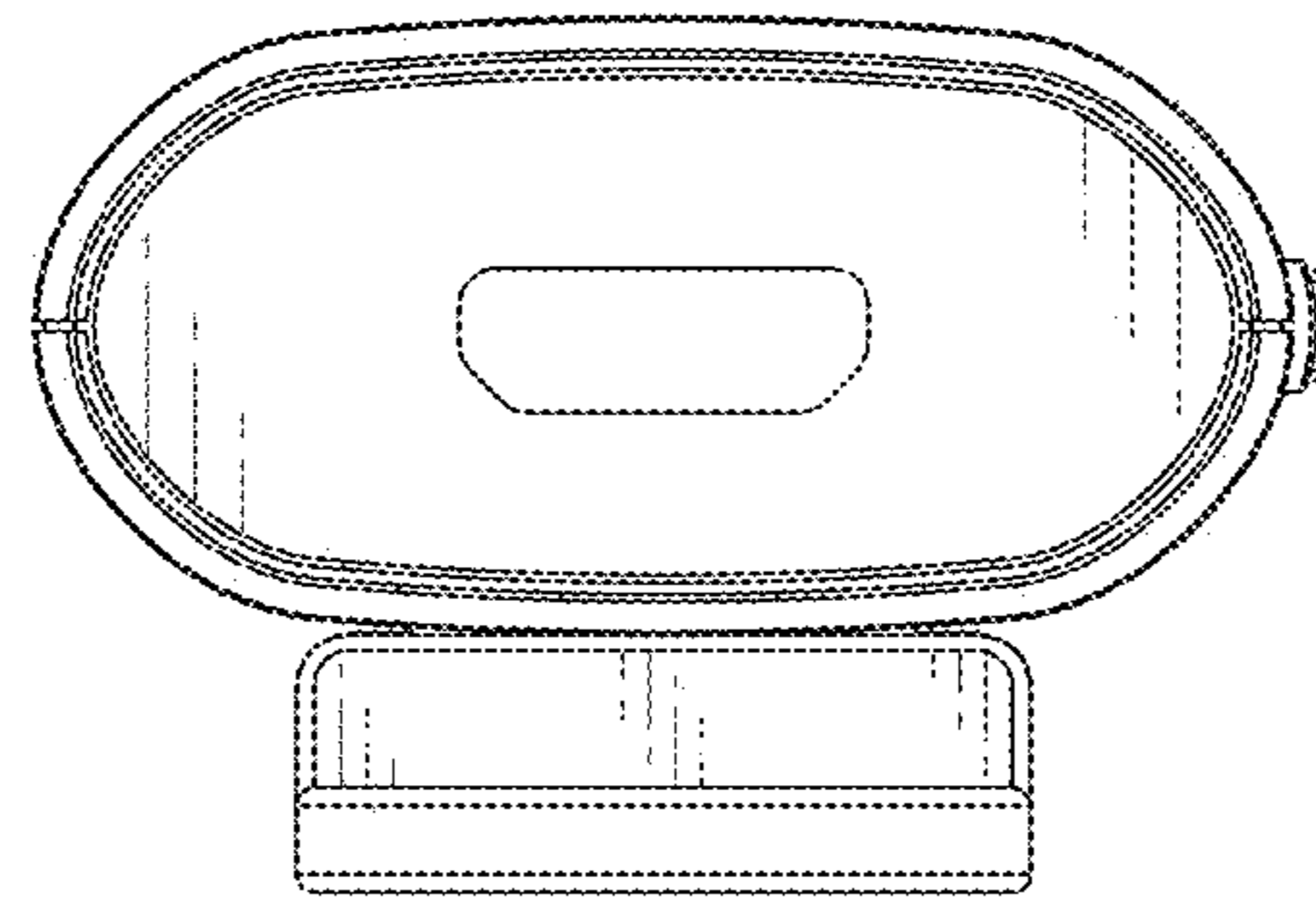


FIG. 7



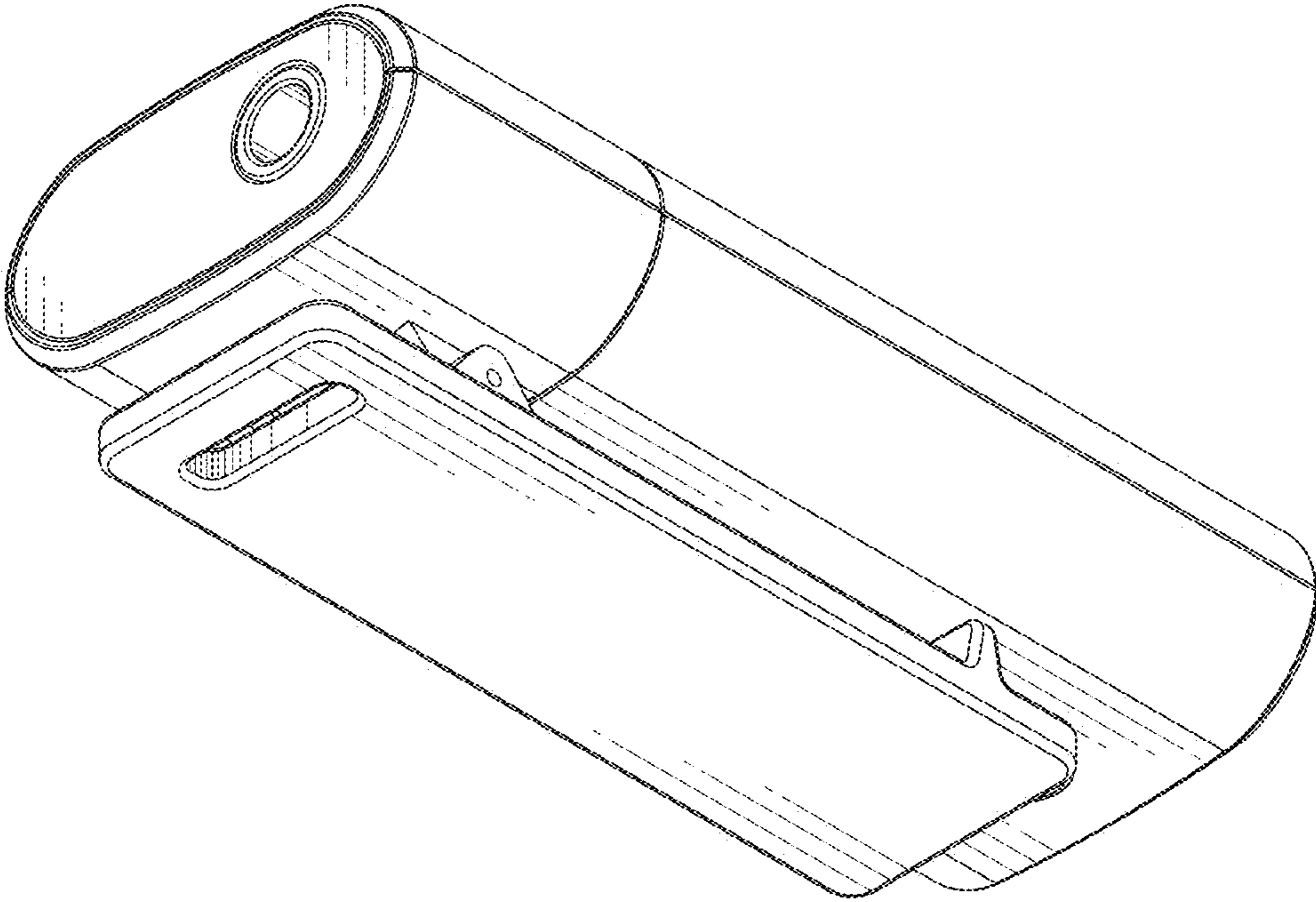


FIG. 8