



US00D985521S

(12) **United States Design Patent**
Wang et al.

(10) **Patent No.:** **US D985,521 S**
(45) **Date of Patent:** **** May 9, 2023**

(54) **DESK PHONE**

FOREIGN PATENT DOCUMENTS

(71) Applicant: **Plantronics, Inc.**, Santa Cruz, CA (US)

TW D176839 7/2016

(72) Inventors: **Bowman Wang**, Corralitos, CA (US);
George Janour, Santa Cruz, CA (US)

Primary Examiner — Marie D. Fast Horse

(74) *Attorney, Agent, or Firm* — Quarles & Brady LLP

(73) Assignee: **Plantronics, Inc.**, Santa Cruz, CA (US)

(57) **CLAIM**

The ornamental design for a desk phone, as shown and described.

(**) Term: **15 Years**

DESCRIPTION

(21) Appl. No.: **29/740,375**

This application is filed concurrently with the U.S. Design application Ser. No. 29/740,376 and entitled “Desk Phone and Portion(s) Thereof” by Bowman WANG et al., which is herein incorporated by reference in its entirety.

(22) Filed: **Jul. 2, 2020**

This application is filed concurrently with the U.S. Design application Ser. No. 29/740,377 and entitled “Desk Phone and Portion(s) Thereof” by Bowman WANG et al., which is herein incorporated by reference in its entirety.

(51) **LOC (14) Cl.** **14-03**

(52) **U.S. Cl.**
USPC **D14/151**

This application is filed concurrently with the U.S. Design application Ser. No. 29/740,381 and entitled “Desk Phone Expansion Module and Portion(s) Thereof” by Bowman WANG et al., which is herein incorporated by reference in its entirety.

(58) **Field of Classification Search**

USPC ... D14/140, 140.1, 140.7, 140.8, 141.2, 142,
D14/144, 147, 148, 149, 150, 151, 158,
D14/159, 188, 217, 240, 243, 247, 248,
D14/251, 299, 329, 330, 338, 130, 462,
D14/467, 471; D21/517

CPC H04M 1/00; H04M 1/003; H04M 1/02;
H04M 1/0289; H04M 1/0297; H04M
1/0214; H04M 1/03; H04M 1/23; H04M
1/253; H04M 1/2535; H04M 7/006

See application file for complete search history.

FIG. 1 is a front perspective view of a desk phone, showing our new design;

FIG. 2 is a top-left-back perspective view thereof;

FIG. 3 is a bottom view thereof;

FIG. 4 is a top view thereof;

FIG. 5 is a left-side view thereof;

FIG. 6 is a right-side view thereof;

FIG. 7 is a front view thereof; and,

FIG. 8 is a back view thereof.

The broken lines in FIG. 8 depict portions of the desk phone that form no part of the claimed Design.

The thin, black lines shown in long dashes with intermittent breaks are shading and/or tangent lines to show contour of the surfaces or curved edges of a desk phone, and do not actually appear on the surface of the device.

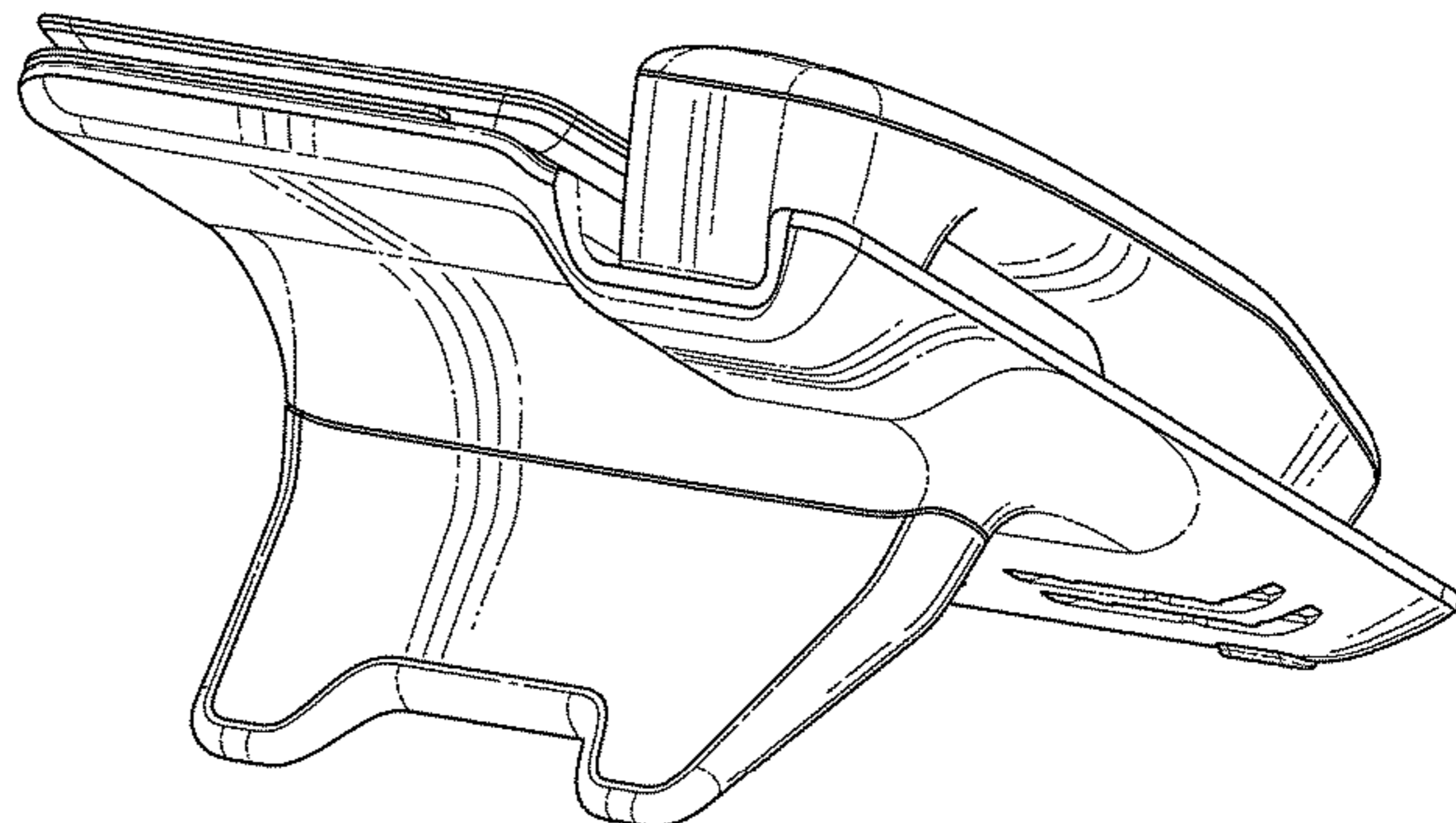
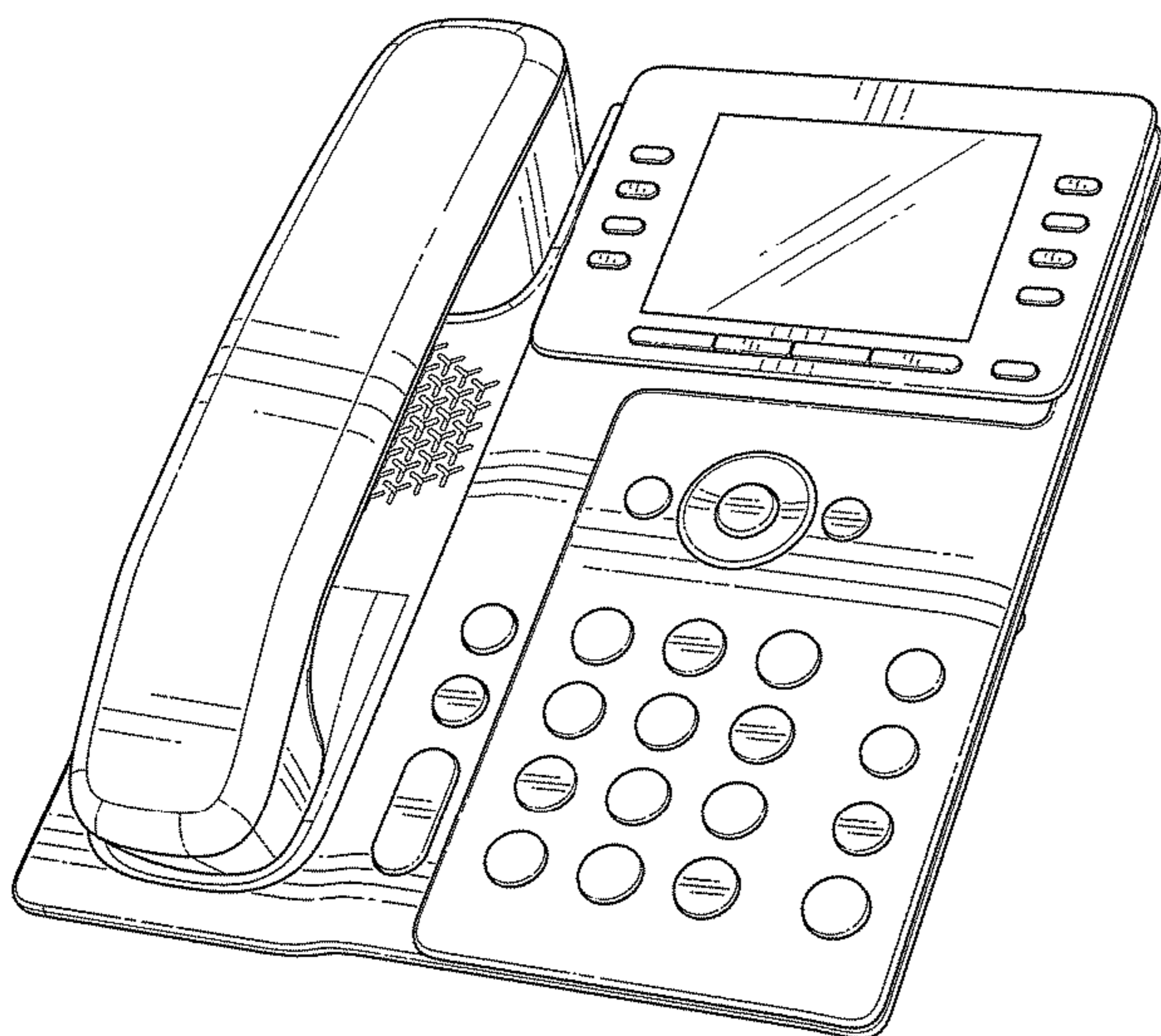
(56) **References Cited**

U.S. PATENT DOCUMENTS

D263,589 S	3/1982	Read
D282,066 S	1/1986	Menei et al.
D282,655 S	2/1986	Kaku
D291,567 S	8/1987	Read et al.
D292,090 S	9/1987	Shintomi
D293,783 S	1/1988	Martinez
D295,623 S	5/1988	Gilberton

(Continued)

1 Claim, 8 Drawing Sheets



(56)

References Cited

U.S. PATENT DOCUMENTS

D296,437 S 6/1988 Martinez
 D298,618 S 11/1988 Martinez
 D299,456 S * 1/1989 Kuo D14/151
 D300,025 S 2/1989 Honda
 D301,475 S * 6/1989 Nagele D14/142
 D303,114 S 8/1989 Danielson
 D304,326 S 10/1989 Perkins
 D307,009 S * 4/1990 Boykiw D14/149
 D311,398 S 10/1990 Sugano
 D314,374 S * 2/1991 Sasaki D14/151
 D318,469 S 7/1991 Joffe
 D319,829 S 9/1991 Wu
 D321,188 S 10/1991 Gordon
 D323,657 S 2/1992 Danielson et al.
 D324,036 S 2/1992 Wakasa
 D325,730 S 4/1992 van der Zon
 D330,028 S * 10/1992 Gagnon D14/151
 D330,201 S 10/1992 Preece et al.
 D335,667 S 5/1993 Kawakami et al.
 D346,785 S 5/1994 Lundell et al.
 D349,899 S 8/1994 Siddoway et al.
 D352,032 S 11/1994 Cowan
 D356,087 S * 3/1995 Jarrett D14/151
 5,432,836 A 7/1995 Jarrett
 D366,484 S * 1/1996 Levin D14/151
 D368,091 S * 3/1996 Yoshihiko D14/151
 D369,601 S 5/1996 Tomoike
 D395,304 S 6/1998 Mori et al.
 D401,235 S 11/1998 Fuke et al.
 5,862,214 A * 1/1999 Aggus H04M 1/02
 379/435
 D408,817 S * 4/1999 Ishibashi D14/149
 D410,229 S 5/1999 Chiocchi
 D411,987 S 7/1999 Mizusugi et al.
 D412,171 S * 7/1999 Girardi D14/151
 D423,001 S 4/2000 Shindo
 D432,497 S 4/2000 Nogas
 D425,856 S 5/2000 Shindo
 D426,536 S 6/2000 Shindo
 D427,985 S * 7/2000 Takayama D14/151
 D431,541 S 10/2000 Nagele et al.
 D432,107 S 10/2000 Isonaga
 D432,108 S 10/2000 Isonaga
 D433,677 S 11/2000 Tsuge
 D435,040 S 12/2000 Shen
 D442,158 S 5/2001 Isonaga
 D457,509 S 5/2002 Ohwada
 D471,171 S 3/2003 Yamanouchi et al.
 D471,527 S 3/2003 Yamanouchi et al.
 D472,227 S * 3/2003 Takayama D14/151
 D479,517 S 9/2003 Weidinger
 D481,698 S 11/2003 Yamada et al.
 D481,699 S 11/2003 Jauregui et al.
 D481,700 S 11/2003 Jauregui et al.
 D489,700 S 5/2004 Hillenmayer
 D490,795 S 6/2004 Watanabe
 D499,711 S 12/2004 Buswell
 D511,153 S 11/2005 dos Santos
 D512,703 S 12/2005 Ookawa
 D529,477 S * 10/2006 Hsu D14/151
 D529,894 S 10/2006 Yanagisawa et al.

D530,303 S 10/2006 Tang
 D531,613 S 11/2006 Lesniak et al.
 D535,277 S * 1/2007 Mamizuka D14/151
 D537,065 S * 2/2007 Chen D14/151
 D551,203 S * 9/2007 Abe D14/151
 D552,071 S * 10/2007 Park D14/151
 D555,143 S 11/2007 Chou
 D556,180 S 11/2007 Udagawa
 D556,181 S 11/2007 Liu
 D558,180 S * 12/2007 Daly D14/151
 D558,727 S * 1/2008 Daly D14/149
 D558,729 S * 1/2008 Daly D14/151
 D565,020 S * 3/2008 Daly D14/149
 D576,998 S * 9/2008 Furuno D14/151
 D581,897 S 12/2008 Katori
 D582,886 S * 12/2008 Woo D14/151
 D585,397 S 1/2009 Hwang
 D604,258 S 11/2009 Rinaldi et al.
 D608,759 S * 1/2010 Chun D14/151
 D611,031 S * 3/2010 Lesniak D14/151
 D613,724 S 4/2010 Kao et al.
 D615,066 S 5/2010 Huang et al.
 D620,464 S 7/2010 Quiros et al.
 D620,472 S 7/2010 Robinson et al.
 D629,381 S 12/2010 Verthein et al.
 D636,769 S 4/2011 Wood et al.
 D653,646 S 2/2012 Hovdal
 D654,074 S 2/2012 Wood et al.
 D657,772 S 4/2012 Shadovitz et al.
 D657,773 S 4/2012 Corsini et al.
 D658,616 S 5/2012 Van Der Flier et al.
 D658,627 S 5/2012 Katori
 D668,901 S 10/2012 Jones et al.
 D675,592 S 2/2013 Fuxen
 D686,184 S 7/2013 Takahata et al.
 D723,502 S * 3/2015 Chun D14/142
 D725,623 S 3/2015 Hartmann et al.
 D738,845 S 9/2015 Kwak
 D744,464 S 12/2015 Snyder et al.
 D753,624 S 4/2016 Ji
 D757,677 S 5/2016 Hutt et al.
 D763,219 S 8/2016 Engelke et al.
 D767,527 S 9/2016 Hillenmayer
 D776,655 S 1/2017 Chen
 D783,569 S 4/2017 Kwak
 D784,283 S 4/2017 Snyder et al.
 D788,737 S 6/2017 Takei
 D835,060 S 12/2018 Peng
 D835,599 S 12/2018 Peng
 D848,391 S 5/2019 Li
 D851,617 S 6/2019 Rodriguez et al.
 D853,981 S 7/2019 Nakano et al.
 D896,199 S 9/2020 Rodriguez et al.
 10,924,598 B1 * 2/2021 Rodriguez H04M 1/11
 D932,454 S * 10/2021 Darias D14/140
 D934,833 S * 11/2021 Su D14/151
 D934,834 S * 11/2021 Su D14/151
 D934,835 S * 11/2021 Su D14/151
 2008/0240416 A1 * 10/2008 Abramson H04M 1/2477
 379/428.03
 2011/0216898 A1 * 9/2011 Huang H04M 1/00
 379/428.02
 2022/0303378 A1 9/2022 Janour et al.

* cited by examiner

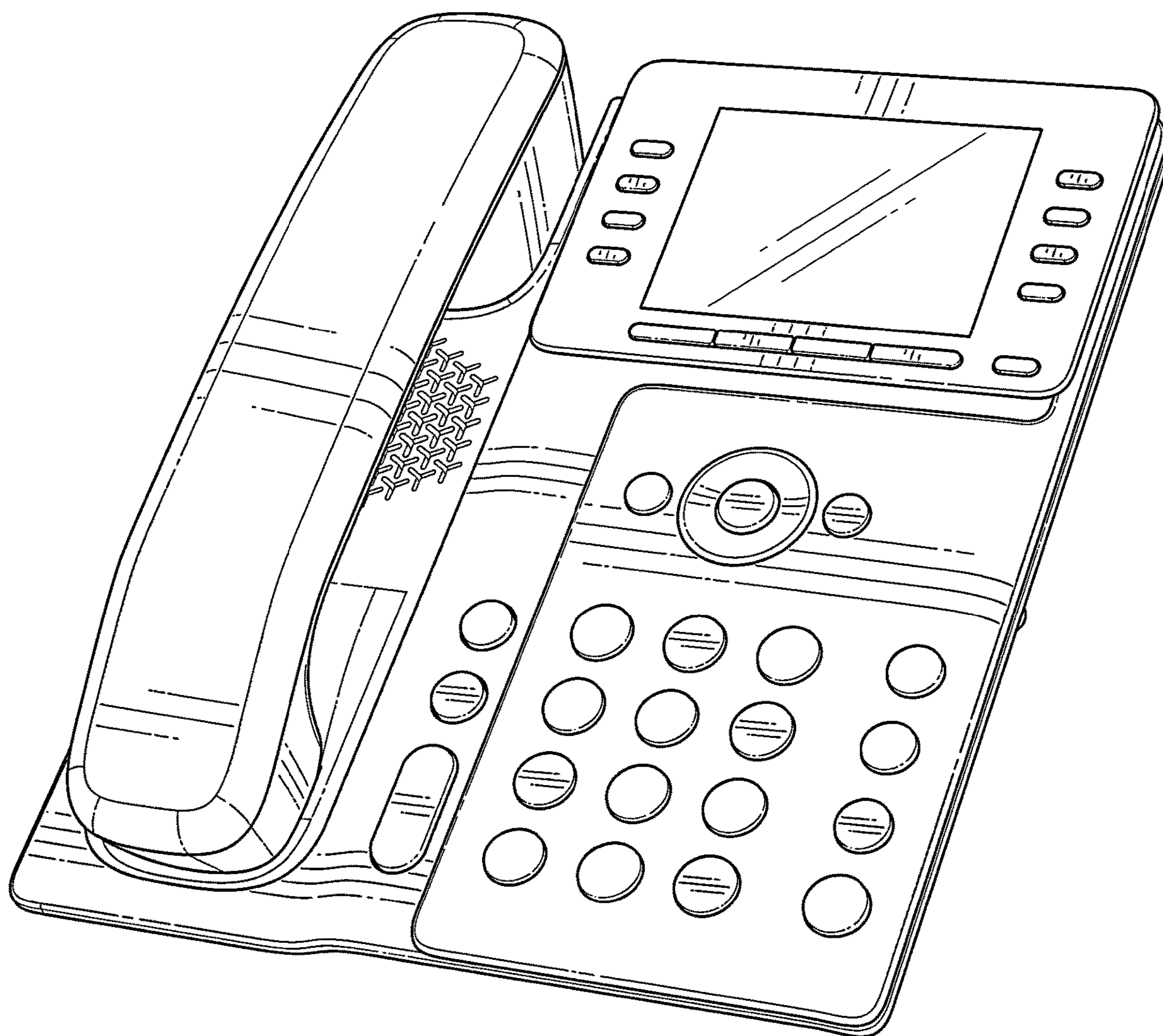


FIG. 1

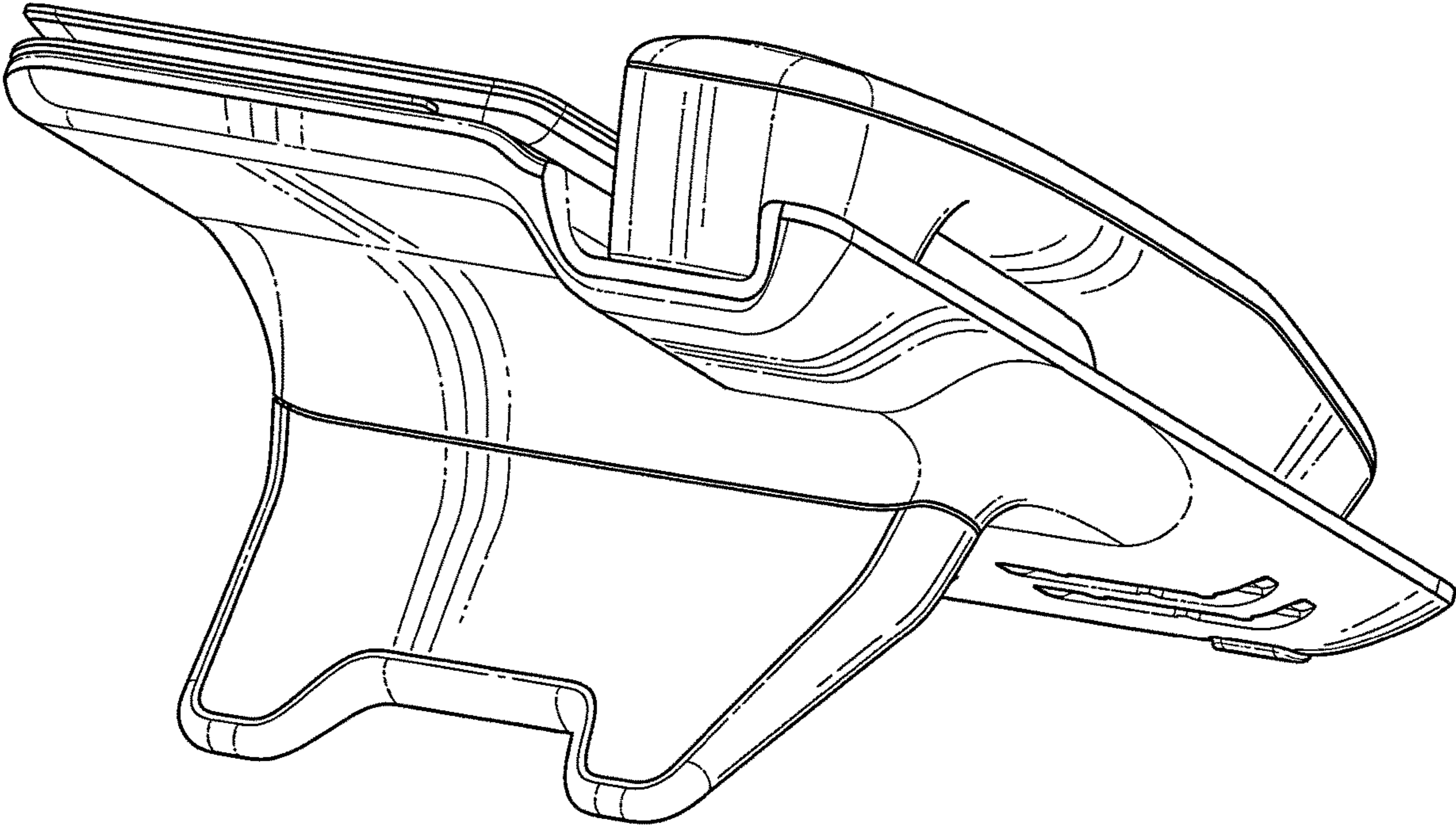


FIG. 2

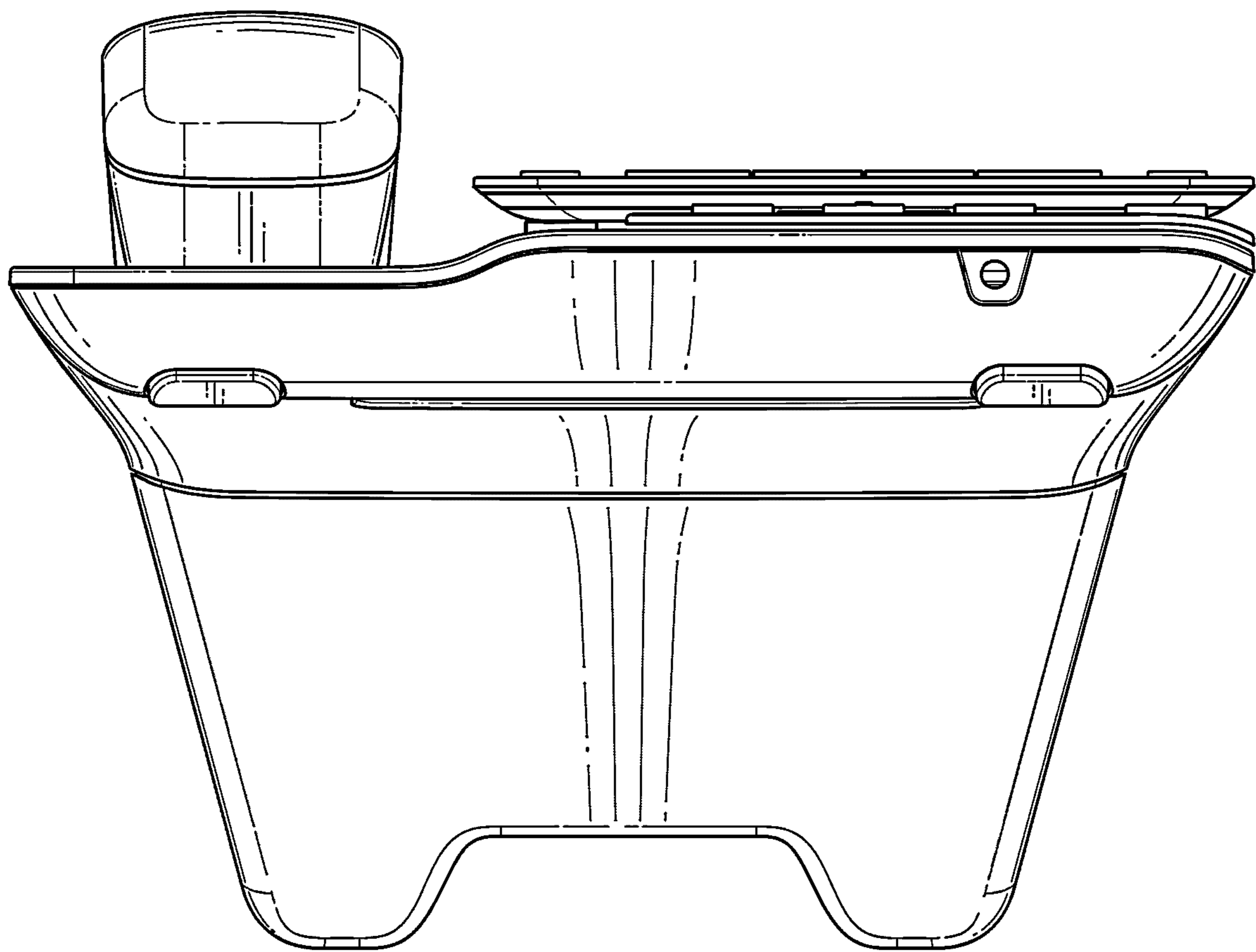


FIG. 3

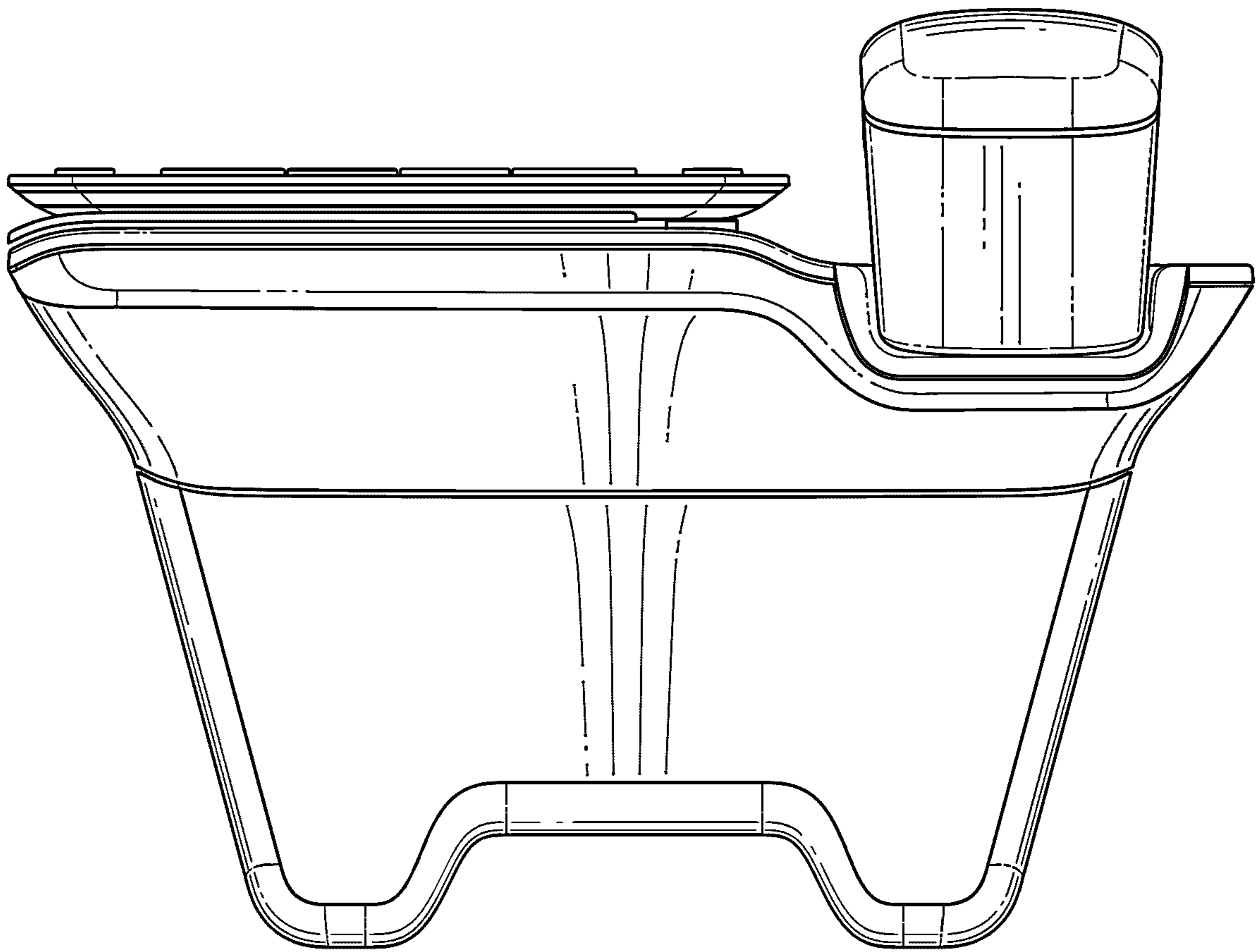


FIG. 4

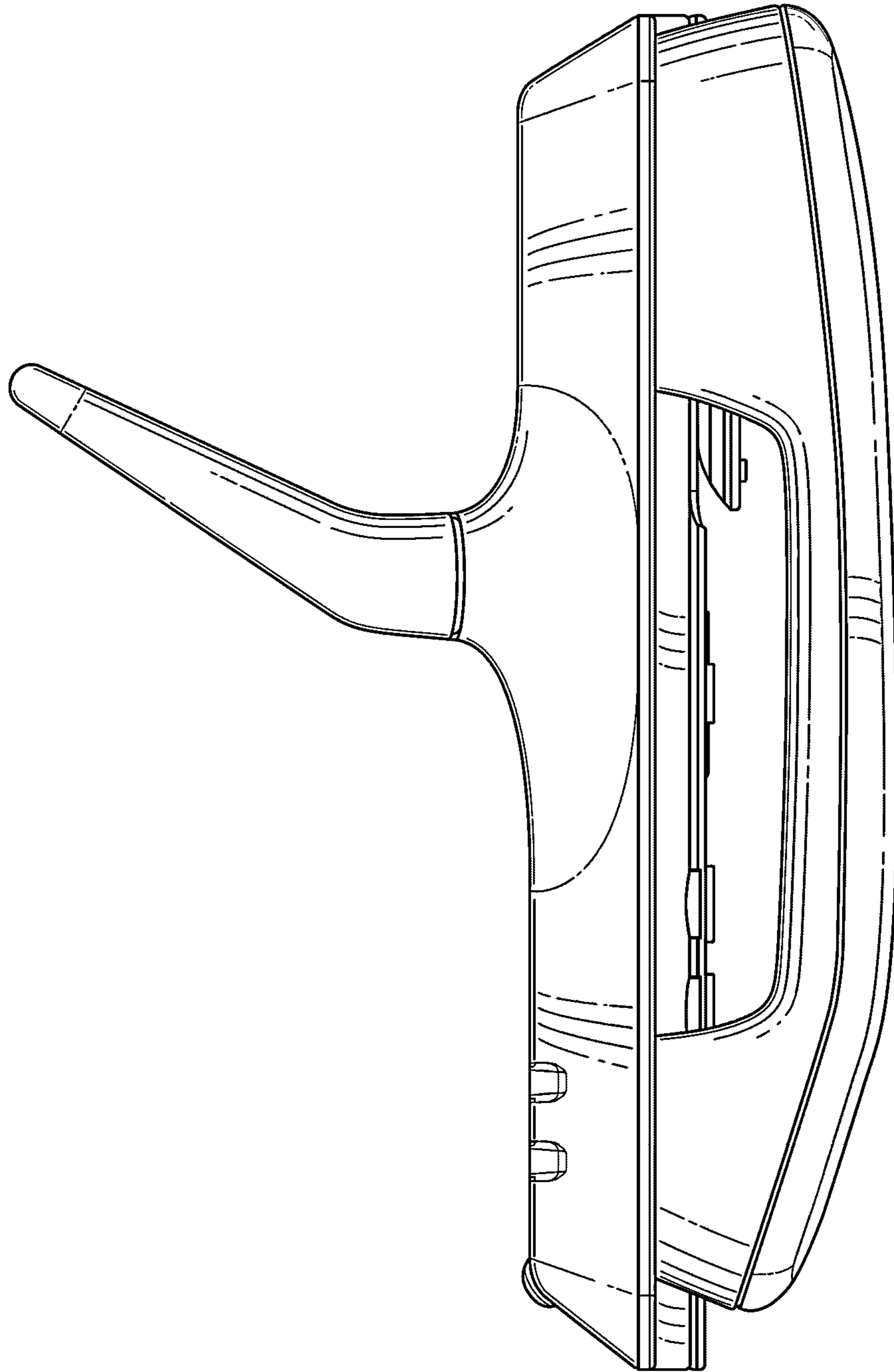


FIG. 5

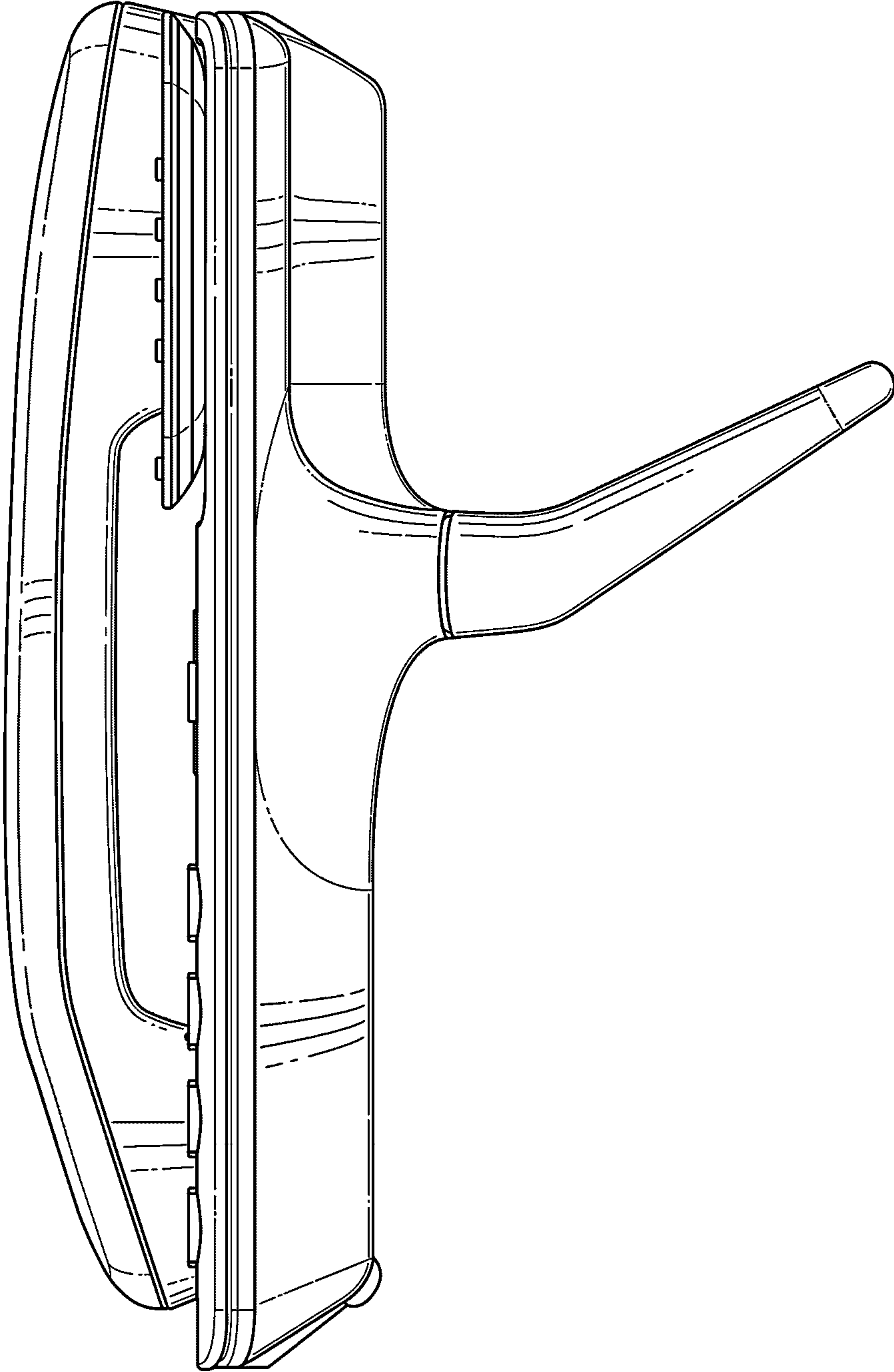


FIG. 6

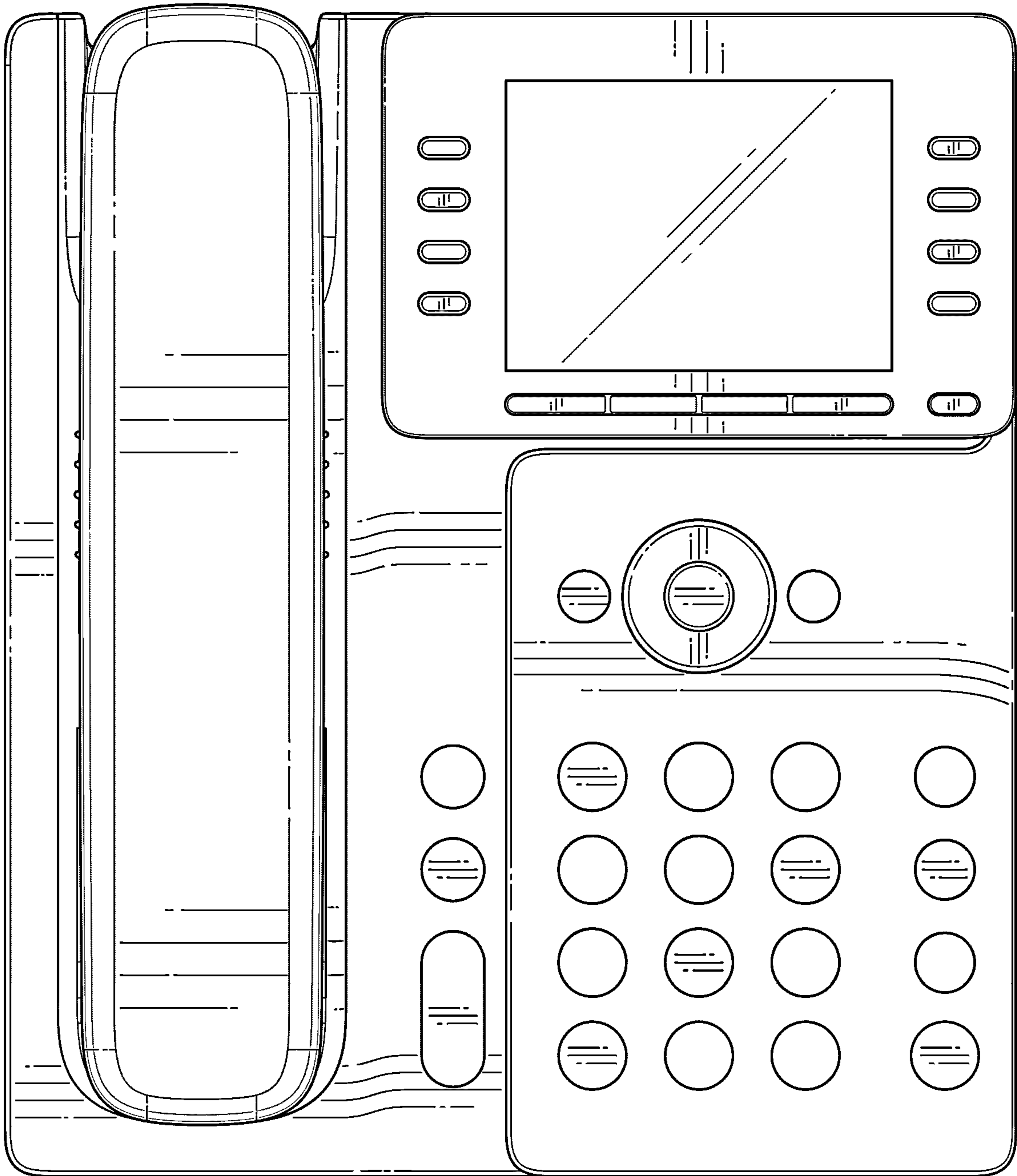


FIG. 7

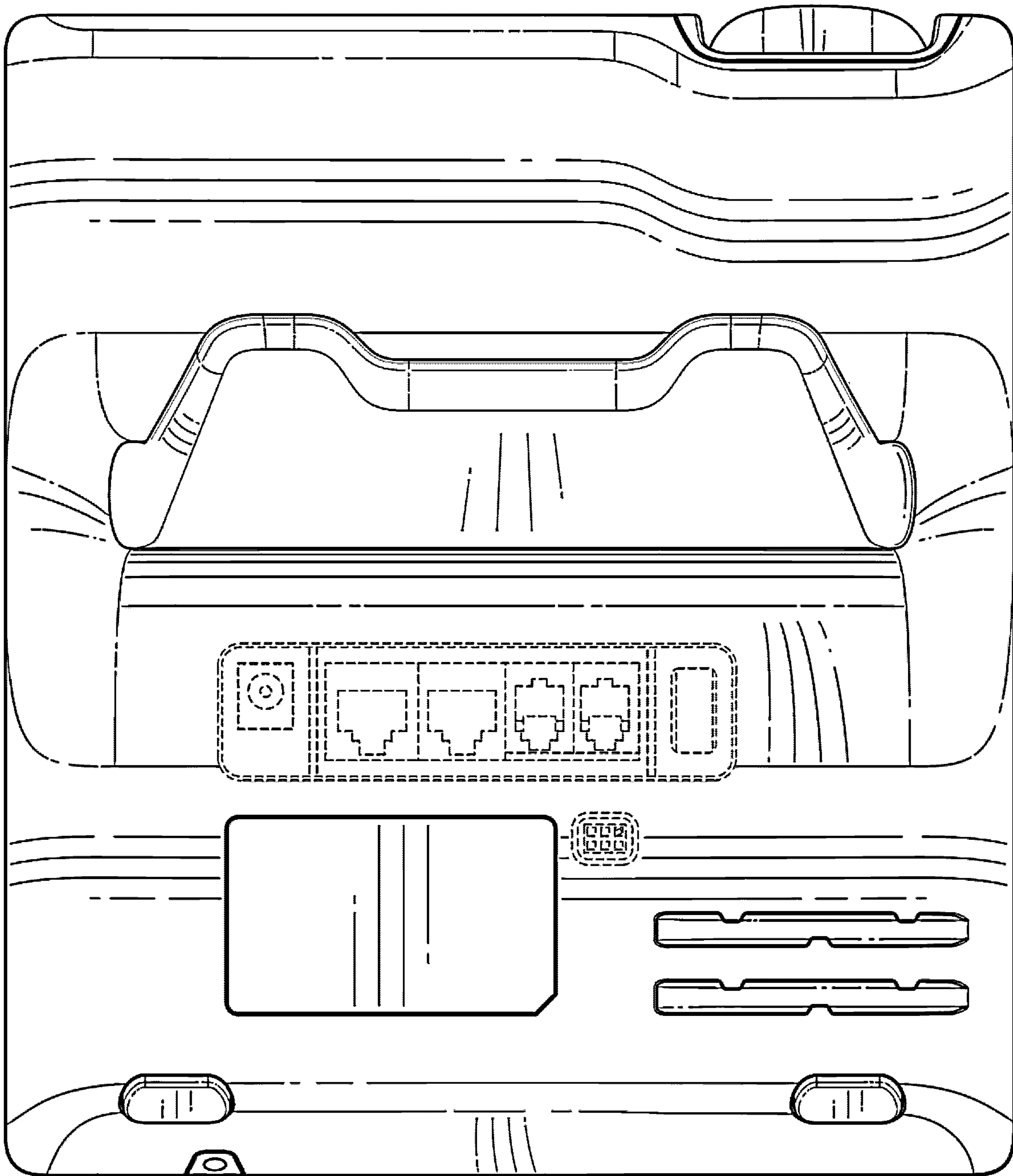


FIG. 8