



US00D985519S

(12) **United States Design Patent** (10) **Patent No.:** **US D985,519 S**  
**Mattoli** (45) **Date of Patent:** **\*\* \*May 9, 2023**

(54) **CONTROL HOUSING**  
(71) Applicant: **Prowinch, LLC**, Miami, FL (US)  
(72) Inventor: **Alessio Mattoli**, Miami, FL (US)  
(73) Assignee: **Prowinch, LLC**, Miami, FL (US)  
(\* ) Notice: This patent is subject to a terminal disclaimer.  
(\*\* ) Term: **15 Years**  
(21) Appl. No.: **29/805,633**  
(22) Filed: **Aug. 27, 2021**  
(51) **LOC (14) Cl.** ..... **13-03**  
(52) **U.S. Cl.**  
USPC ..... **D13/184; D34/35**  
(58) **Field of Classification Search**  
USPC ..... D13/162, 184; D34/33, 35  
CPC ... B66D 1/12; B66D 1/22; B66D 1/28; B66D 1/40; B66D 1/46; G08C 17/00; G08C 17/02  
See application file for complete search history.

(56) **References Cited**  
U.S. PATENT DOCUMENTS  
4,331,323 A \* 5/1982 Sekimori ..... B66D 1/40 242/390.8  
D308,854 S \* 6/1990 Fuhrmann ..... D13/184  
D330,962 S \* 11/1992 Cundy ..... D34/33  
D350,532 S \* 9/1994 Phelps ..... D13/184  
D593,962 S \* 6/2009 Ross ..... D13/162  
D599,524 S \* 9/2009 Averill ..... D34/33  
D627,743 S \* 11/2010 Homuth ..... D13/162  
D744,189 S \* 11/2015 Fretz ..... D34/33  
D771,897 S \* 11/2016 Aho ..... D34/33  
D793,977 S \* 8/2017 Chung ..... D13/184  
D796,460 S \* 9/2017 Skowranek ..... D13/184  
D811,684 S \* 2/2018 Fretz ..... D34/33

D819,294 S \* 5/2018 Frazier ..... D34/35  
D891,376 S \* 7/2020 Price ..... D13/184  
D898,682 S \* 10/2020 Hsieh ..... D13/162  
D924,815 S \* 7/2021 Yu ..... D13/184  
D951,190 S \* 5/2022 Huang ..... D13/112  
D954,002 S \* 6/2022 Thompson ..... D13/162  
D954,668 S \* 6/2022 Feurtado ..... D13/133  
D960,845 S \* 8/2022 Hanson ..... D13/184  
2014/0252286 A1 \* 9/2014 Averill ..... B66D 1/16 254/342  
2018/0118528 A1 \* 5/2018 August ..... G05B 11/32  
2018/0118529 A1 \* 5/2018 Vaughn ..... B66D 1/22  
2018/0170726 A1 \* 6/2018 August ..... G08C 17/02  
2019/0233262 A1 \* 8/2019 Huang ..... B66D 1/12  
2020/0131010 A1 \* 4/2020 Kukula ..... B66D 1/40  
2021/0139299 A1 \* 5/2021 Crain ..... B66D 1/00  
2022/0281725 A1 \* 9/2022 Huang ..... B66D 1/485

\* cited by examiner

*Primary Examiner* — Selina Sikder  
(74) *Attorney, Agent, or Firm* — Andrew S. Rapacke

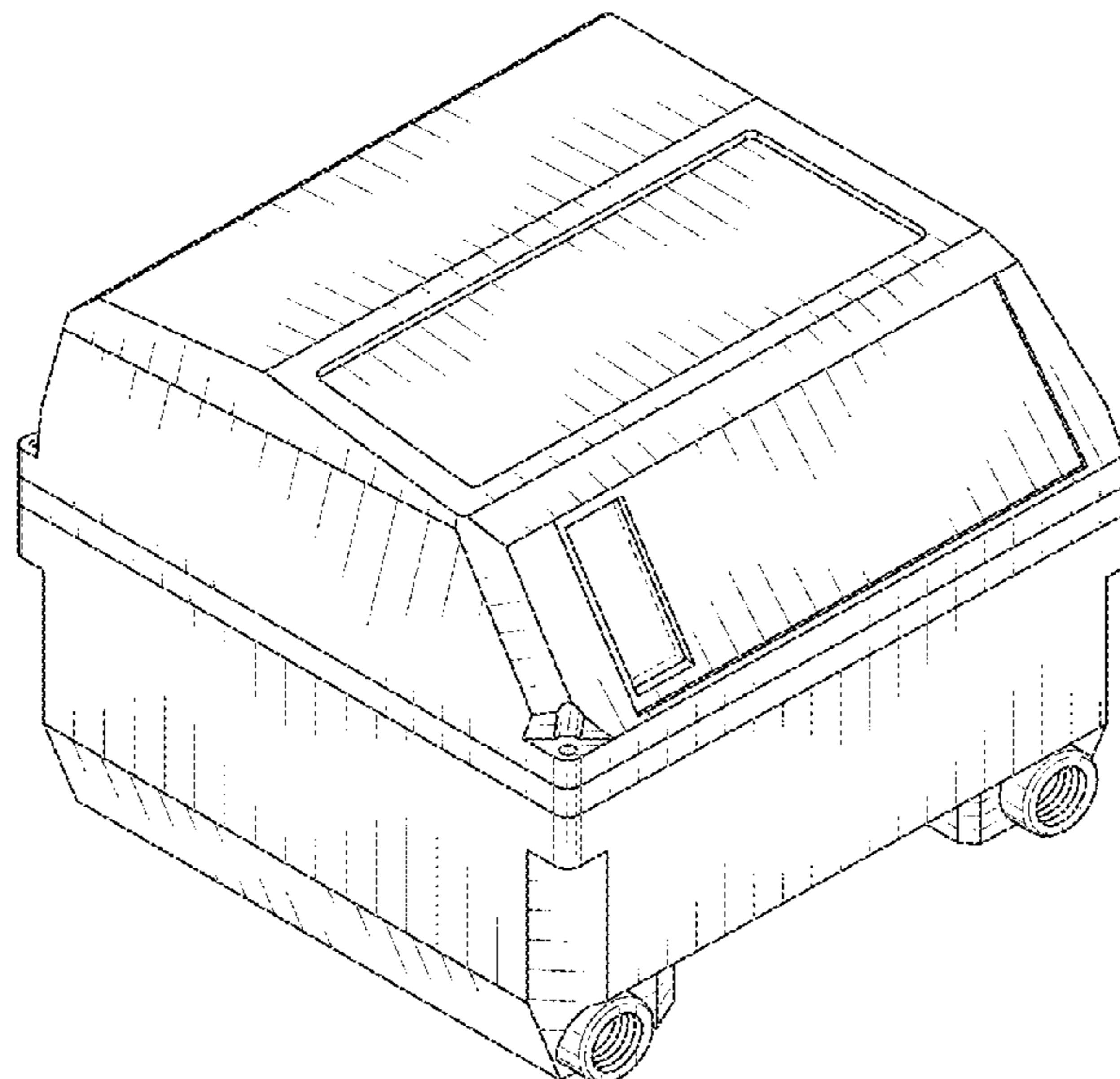
(57) **CLAIM**

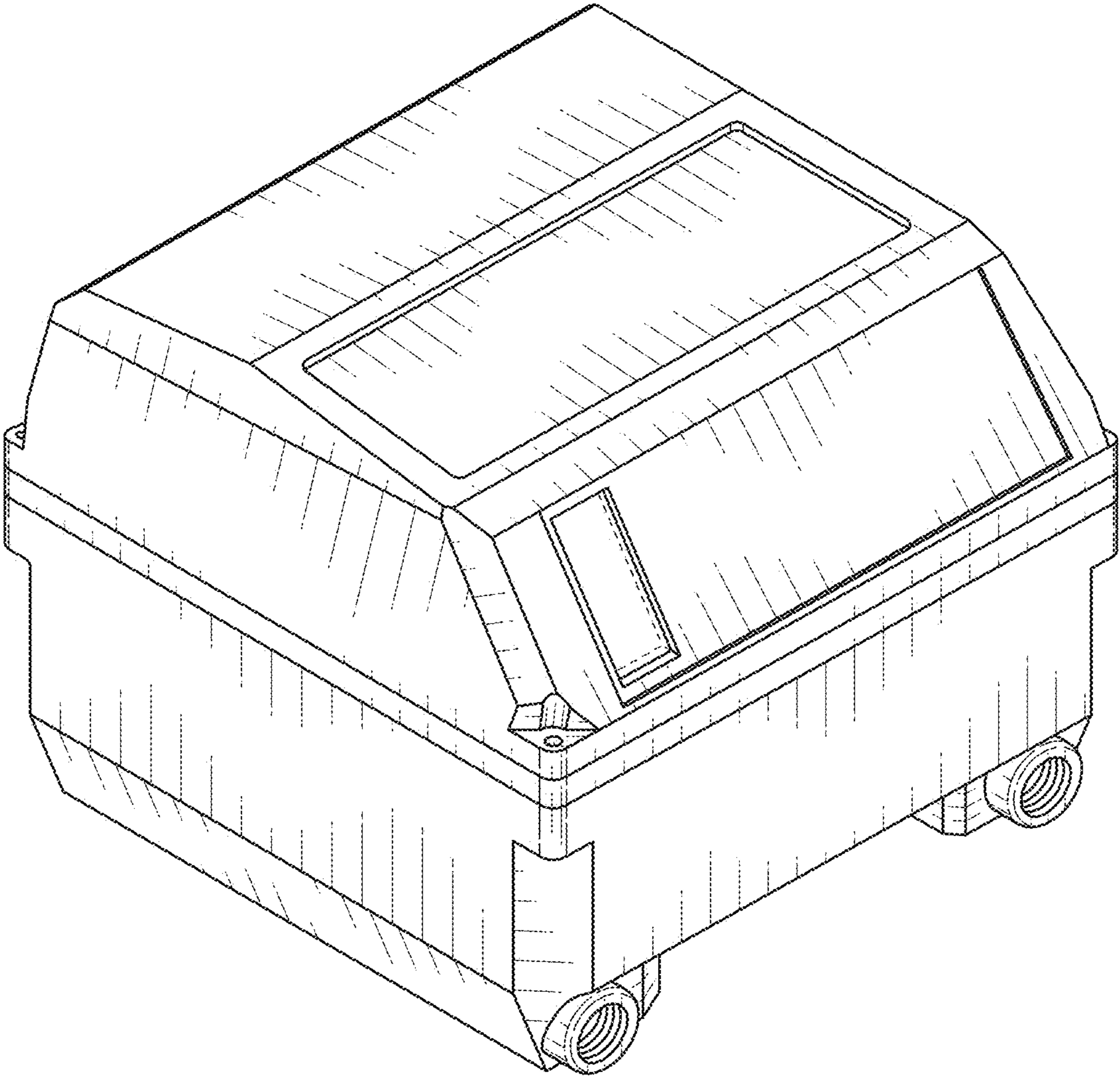
The ornamental design for a control housing, as shown and described.

**DESCRIPTION**

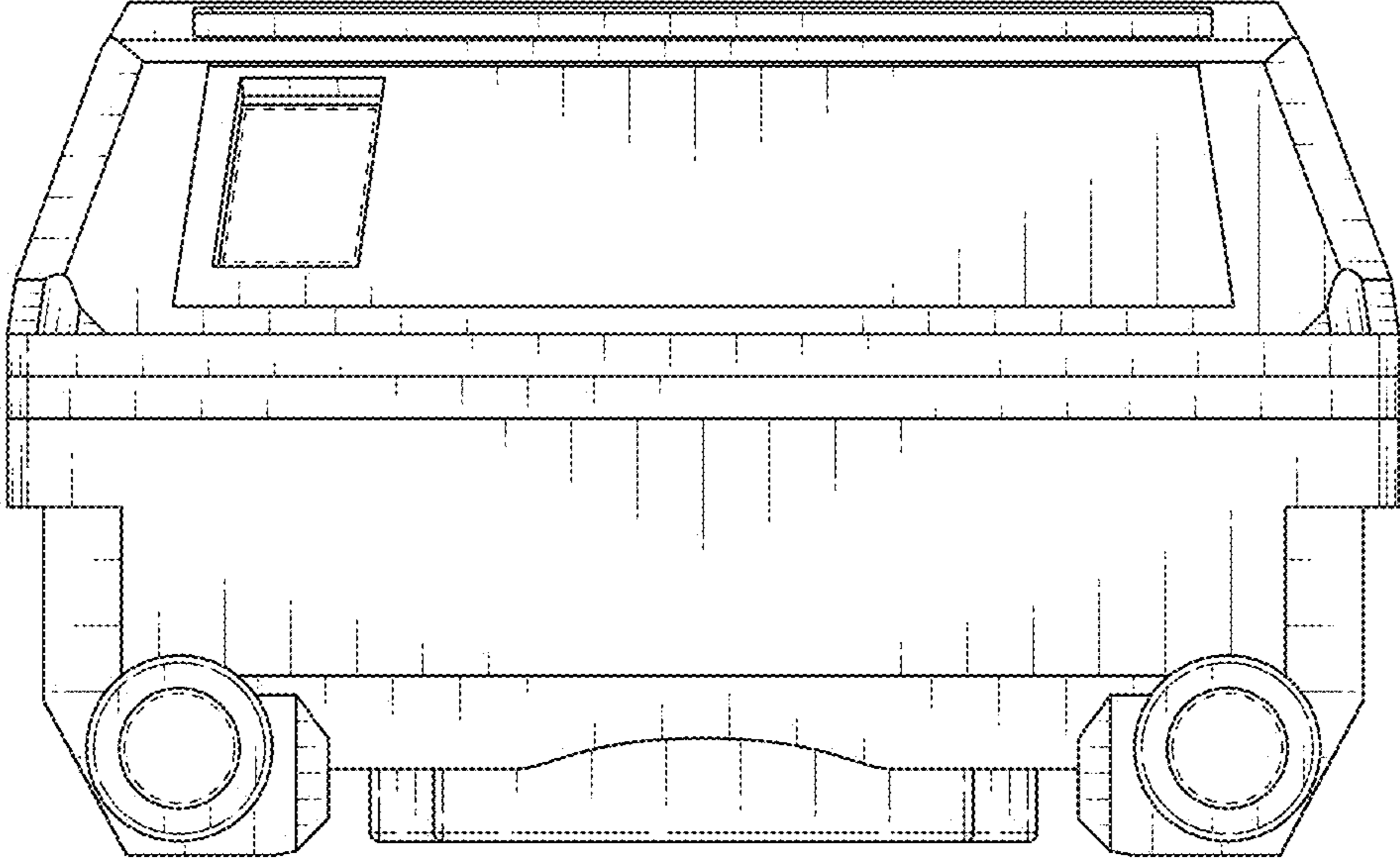
FIG. 1 is a perspective view of the control housing, showing the new design;  
FIG. 2 is a front elevational view of the control housing thereof;  
FIG. 3 is a rear elevational view of the control housing thereof;  
FIG. 4 is a left side elevational view of the control housing thereof;  
FIG. 5 is a right side elevational view of the control housing thereof;  
FIG. 6 is a bottom plan view of the control housing thereof; and,  
FIG. 7 is top plan view of the control housing thereof.

**1 Claim, 4 Drawing Sheets**

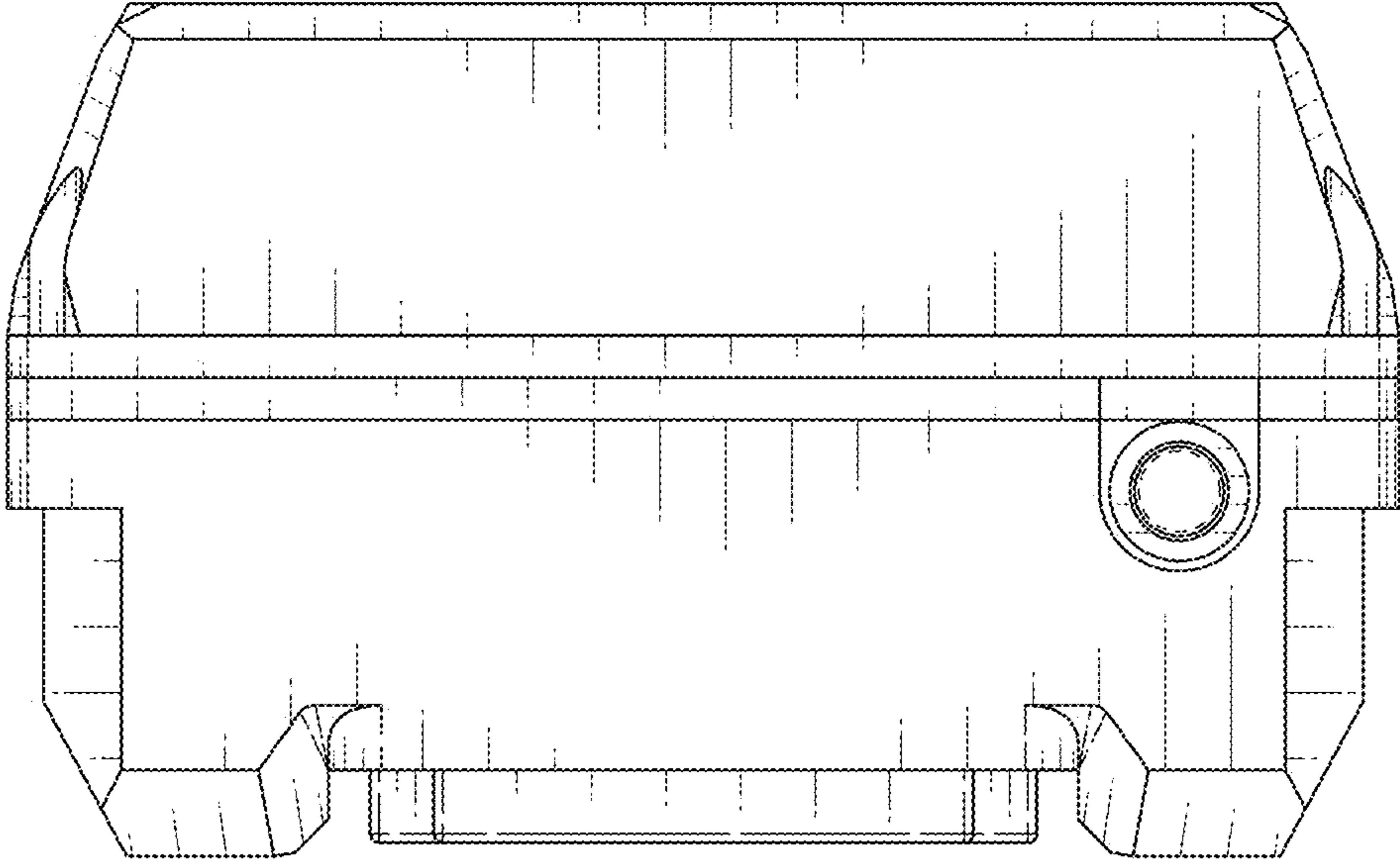




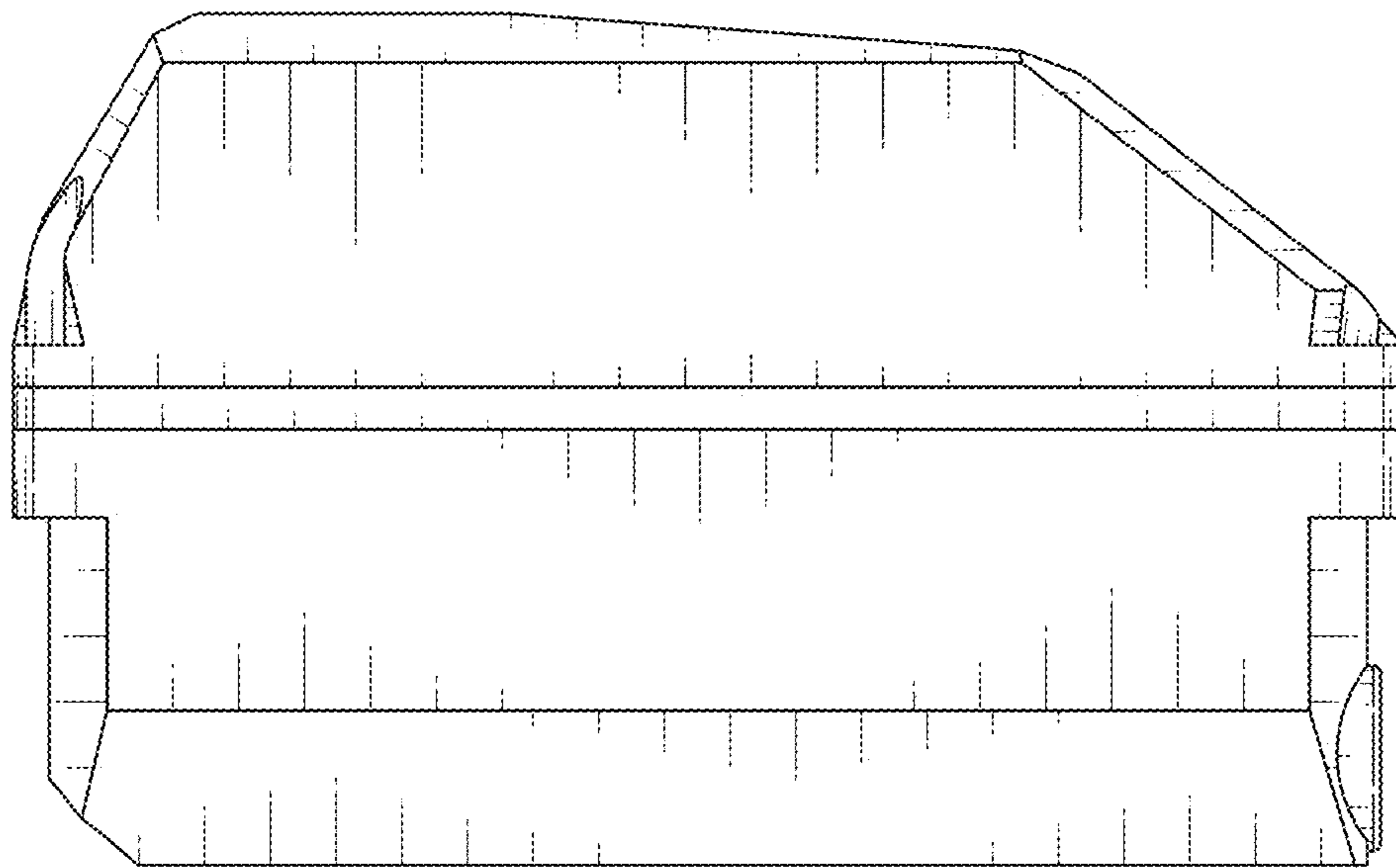
*FIG. 1*



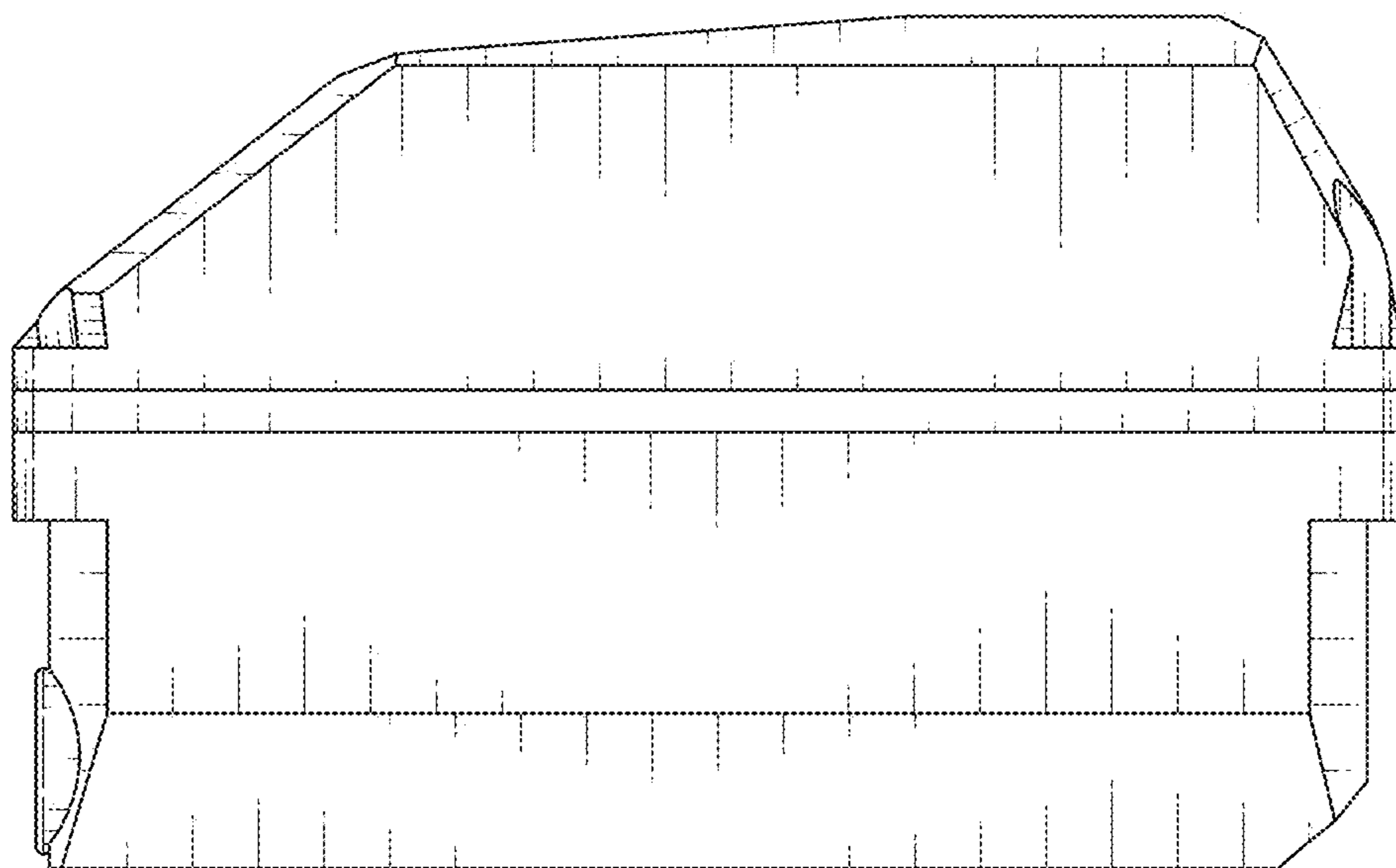
*FIG. 2*



*FIG. 3*



*FIG. 4*



*FIG. 5*

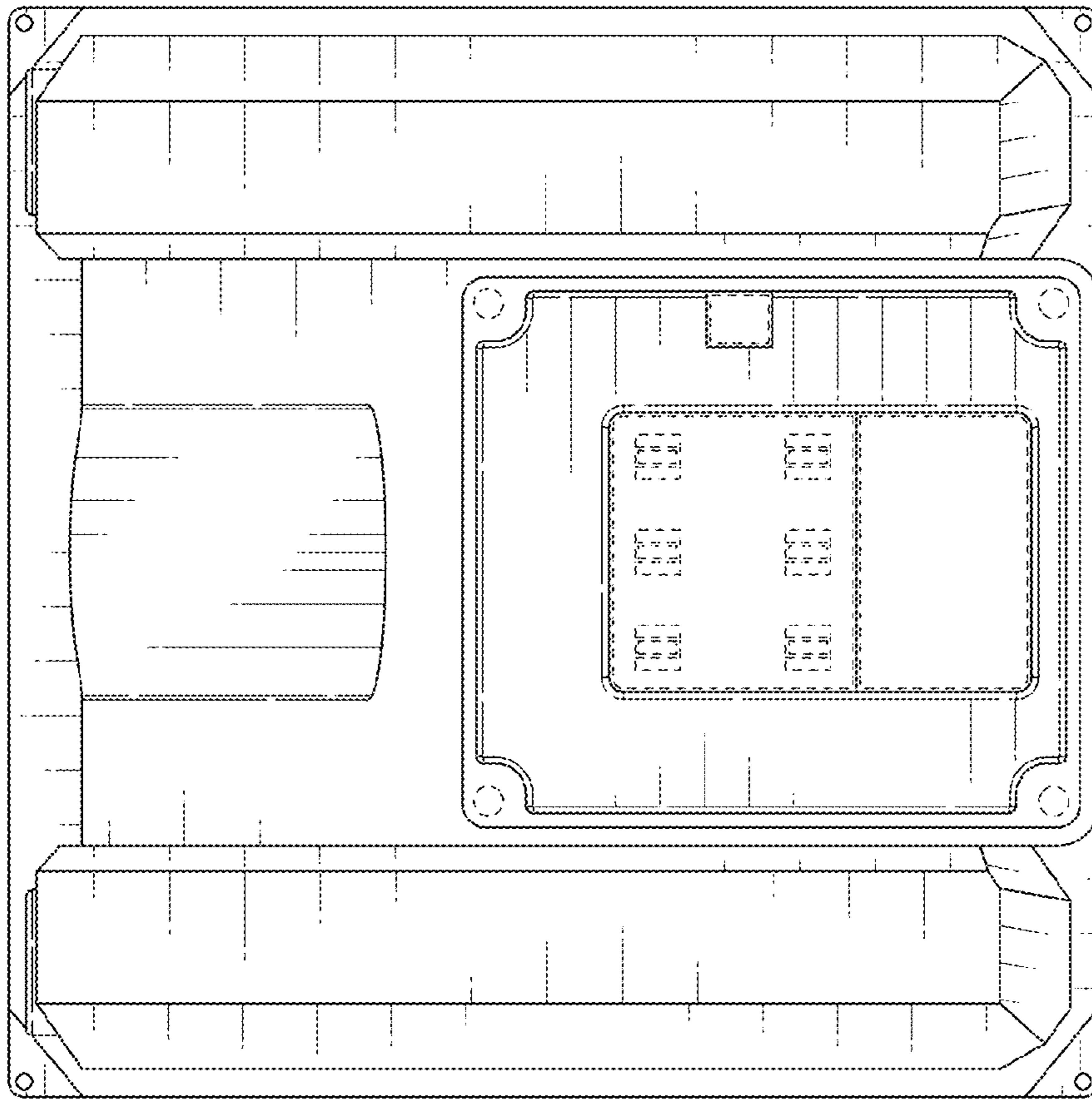


FIG. 7

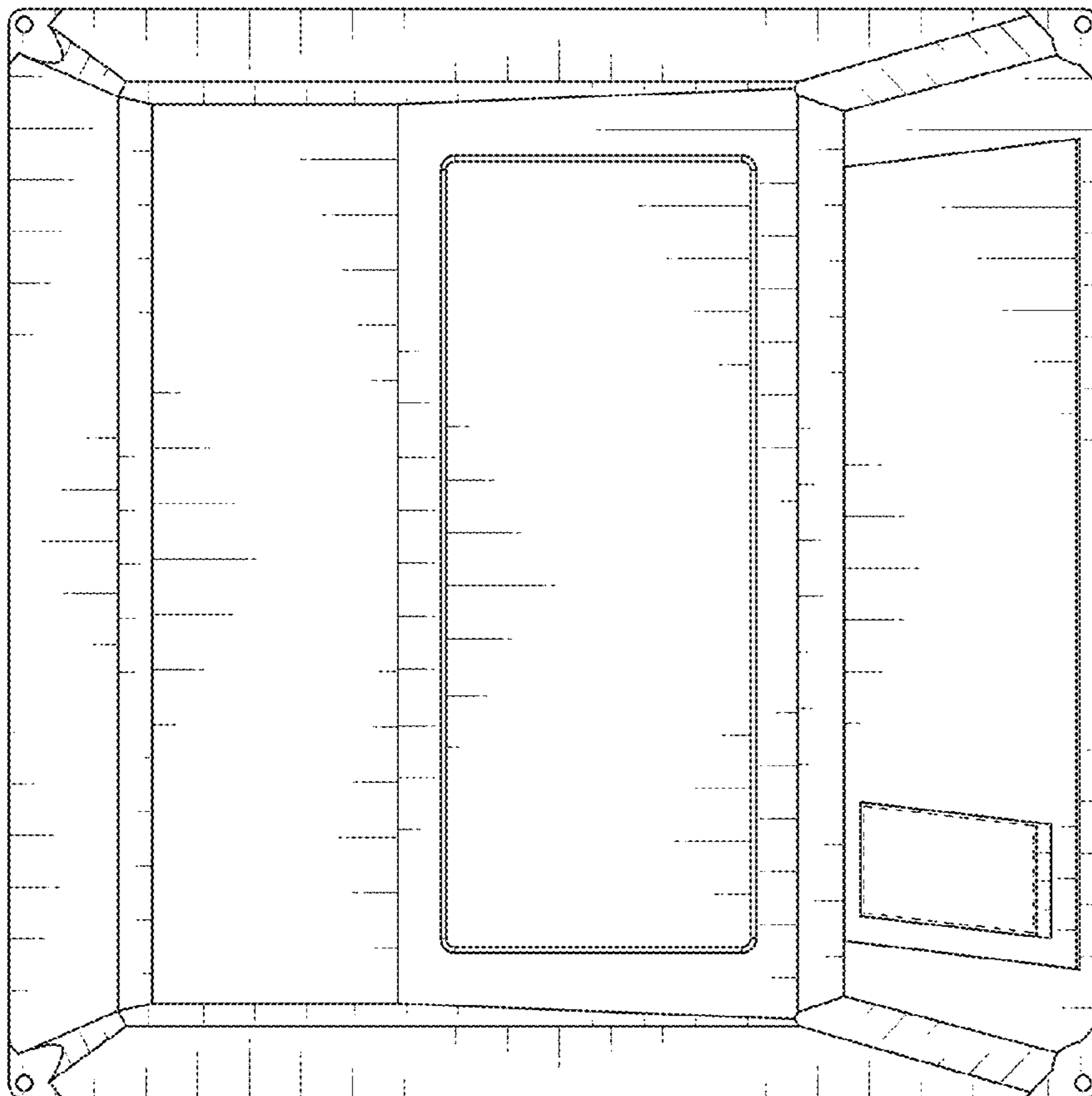


FIG. 6