



US00D985515S

(12) **United States Design Patent**
Laaksonen

(10) **Patent No.:** **US D985,515 S**

(45) **Date of Patent:** **** May 9, 2023**

(54) **CONTROL CONTAINER FOR A MACHINE**

(71) Applicant: **NOVATRON OY**, Pirkkala (FI)

(72) Inventor: **Iiro Laaksonen**, Tampere (FI)

(73) Assignee: **NOVATRON OY**, Pirkkala (FI)

(**) Term: **15 Years**

(21) Appl. No.: **29/804,475**

(22) Filed: **Aug. 20, 2021**

(30) **Foreign Application Priority Data**

Feb. 26, 2021 (EM) 008444921-0001

(51) **LOC (14) Cl.** **13-03**

(52) **U.S. Cl.**
USPC **D13/162**

(58) **Field of Classification Search**
USPC D13/162, 164, 168; D15/17, 28
CPC B60R 11/02; B60R 11/0264; B60R
2011/001; B60R 2011/004; E02F 9/26;
H05K 5/00; H05K 5/0004; H05K 5/0017;
H05K 5/0021; H05K 5/0026; H05K 5/03;
H05K 5/0406

See application file for complete search history.

(56) **References Cited**

U.S. PATENT DOCUMENTS

D513,497 S *	1/2006	Whitehouse	D13/162
D559,792 S *	1/2008	Gemme	D13/164
D610,096 S *	2/2010	Gemme	D13/164
D628,603 S *	12/2010	Berning	D15/28
D641,712 S *	7/2011	Berning	D13/164
D687,388 S *	8/2013	Baumgartner	D13/162
D689,443 S *	9/2013	Ewringmann	D13/164
D706,308 S *	6/2014	Takahashi	D15/28
D734,276 S *	7/2015	Wiesbaum	D13/164
D738,830 S *	9/2015	Suthmann	D13/162
D762,642 S *	8/2016	Johnson	D14/371
D773,405 S *	12/2016	Daubenmerkl	D13/164

D788,715 S *	6/2017	Ewringmann	D13/164
D790,481 S *	6/2017	Ewringmann	D13/164
D844,678 S *	4/2019	Jacobsthal	D15/28
D900,041 S *	10/2020	Sakamoto	D13/164
D935,423 S *	11/2021	Schemmel	D15/28
2013/0258567 A1 *	10/2013	Eul	B60R 11/0264 361/679.01
2018/0317332 A1 *	11/2018	Diehl	H05K 5/023

FOREIGN PATENT DOCUMENTS

CN 302882245 * 2/2014

OTHER PUBLICATIONS

Bud Industries ANS-3821-B ANS Die Cast Aluminum Box with EMI/RFI Shielding; retrieved on Oct. 28, 2022; 1 pg.*
Trimble Earthworks Grade Control Platform Transforms Machine Control; Mar. 9, 2017; 3 pgs.*

* cited by examiner

Primary Examiner — Selina Sikder

(74) *Attorney, Agent, or Firm* — Jacobson Holman PLLC

(57) **CLAIM**

I claim the ornamental design for a control container for a machine, as shown and described.

DESCRIPTION

FIG. 1 is a top perspective view of a control container for a machine;

FIG. 2 is a top plan view of FIG. 1;

FIG. 3 is a bottom plan view of FIG. 1;

FIG. 4 is a right end elevational view of FIG. 1;

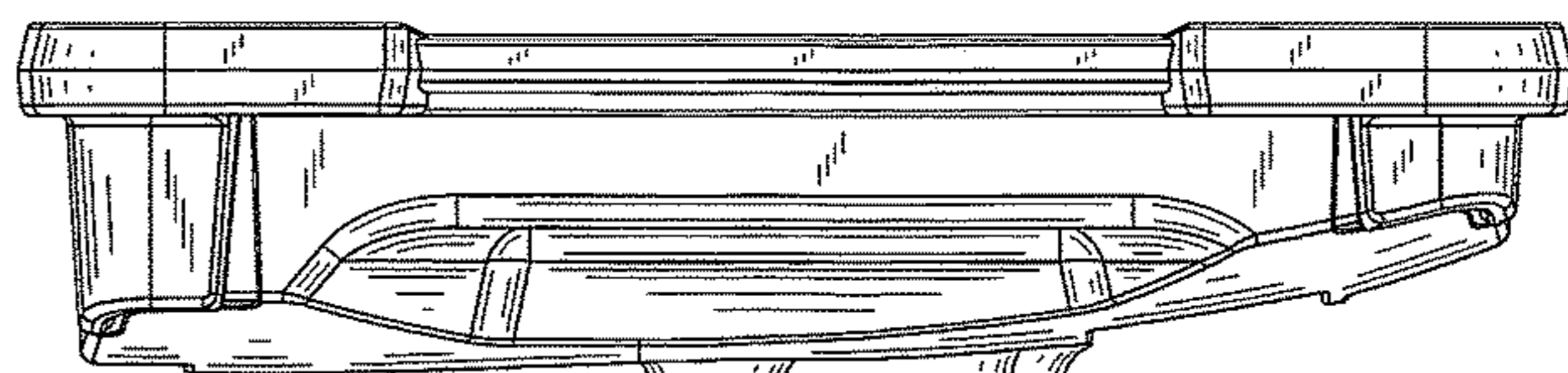
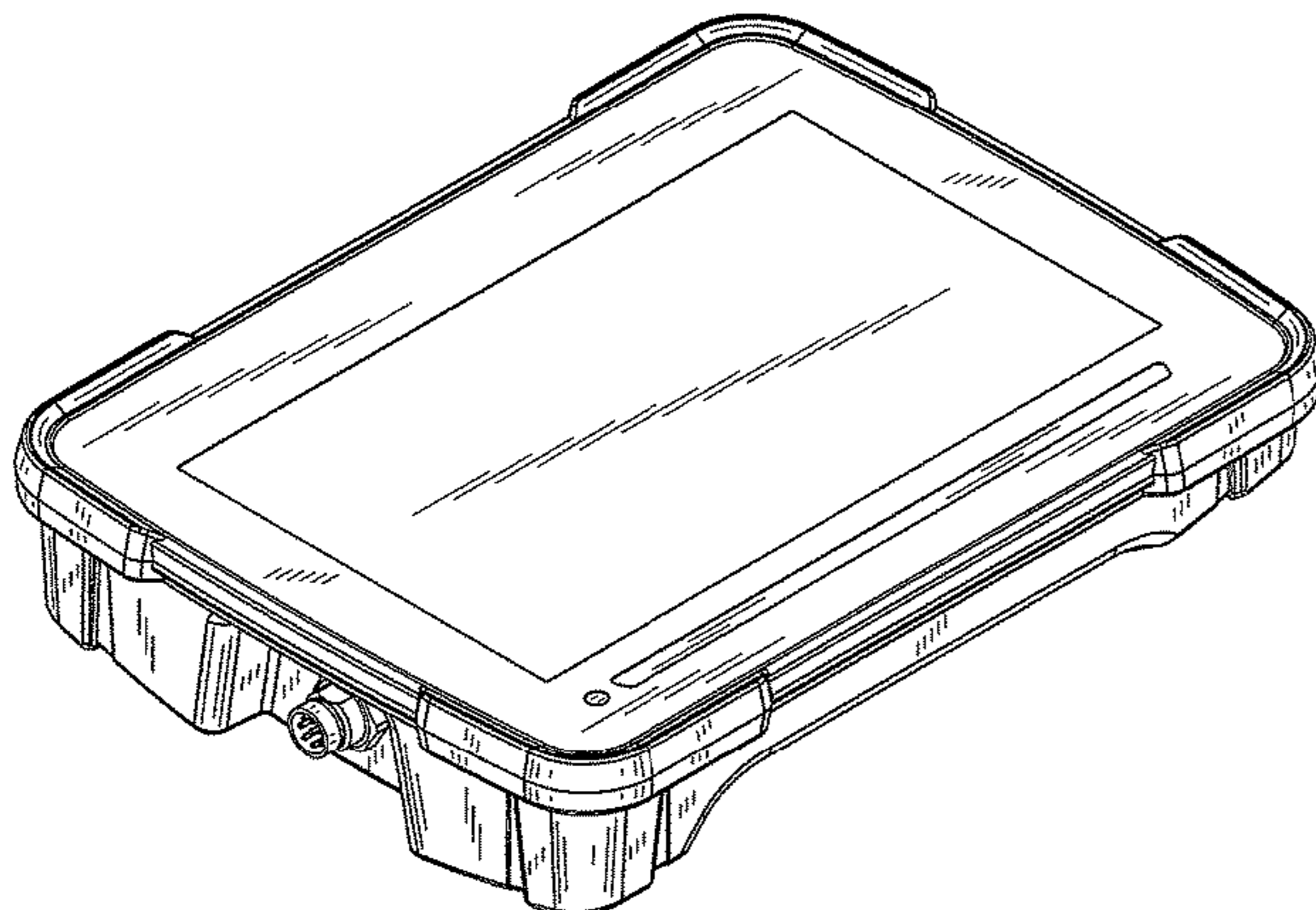
FIG. 5 is a left end elevational view of FIG. 1;

FIG. 6 is a right side elevational view of FIG. 1; and,

FIG. 7 is a left side elevational view of FIG. 1 rotated 180°.

In the drawing, the broken lines depict portions of the control container for a machine which form no part of the claim.

1 Claim, 7 Drawing Sheets



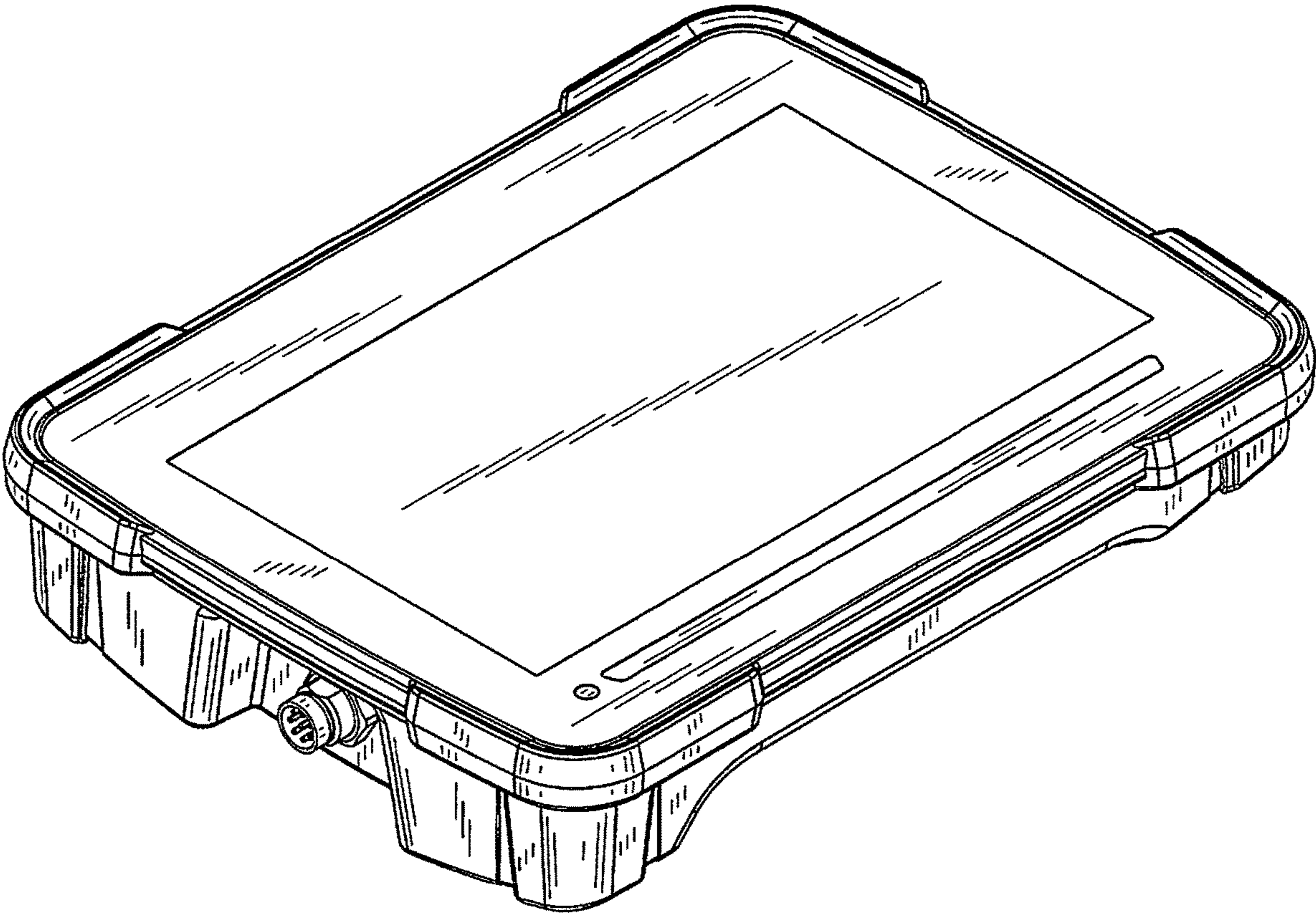


FIG. 1

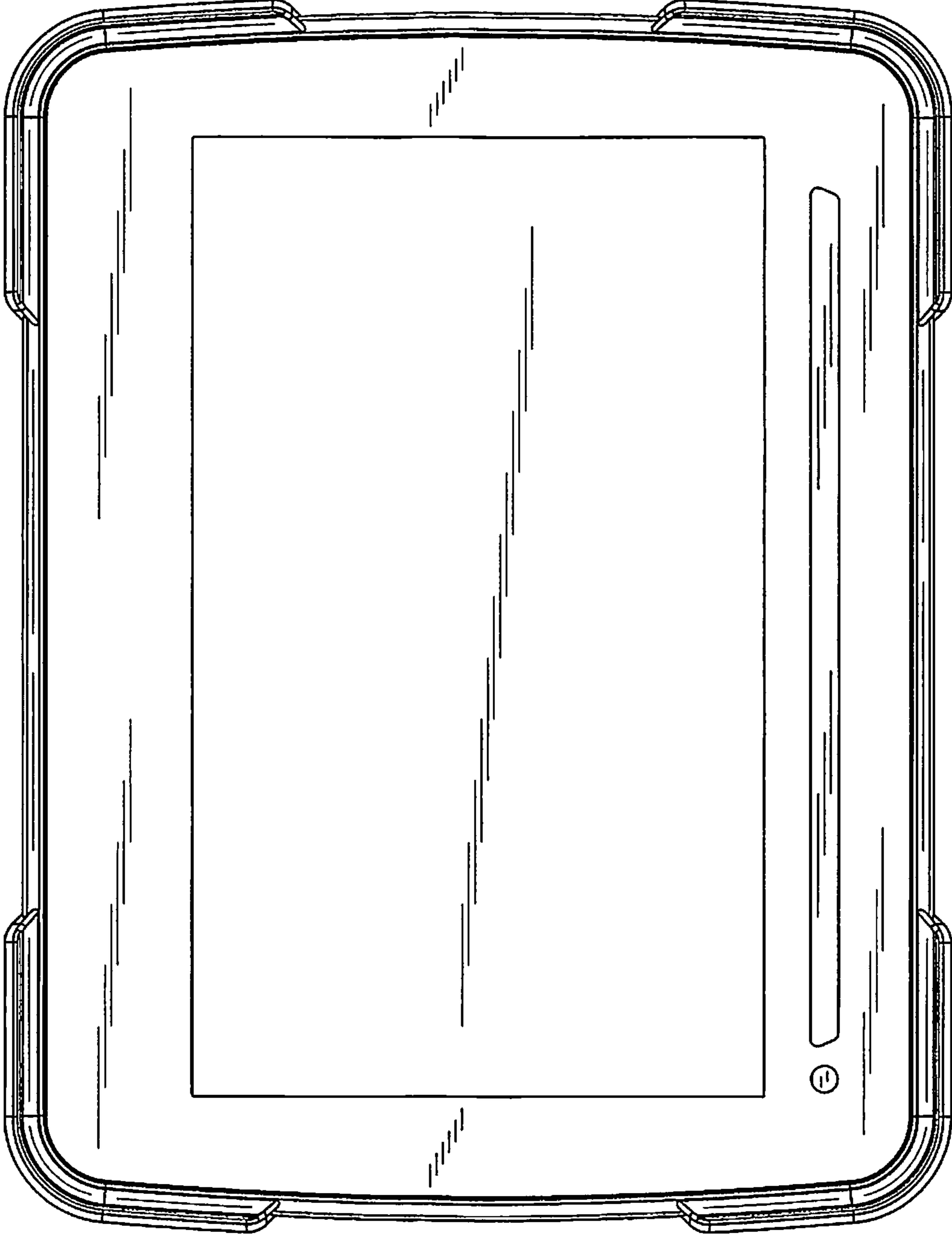


FIG. 2

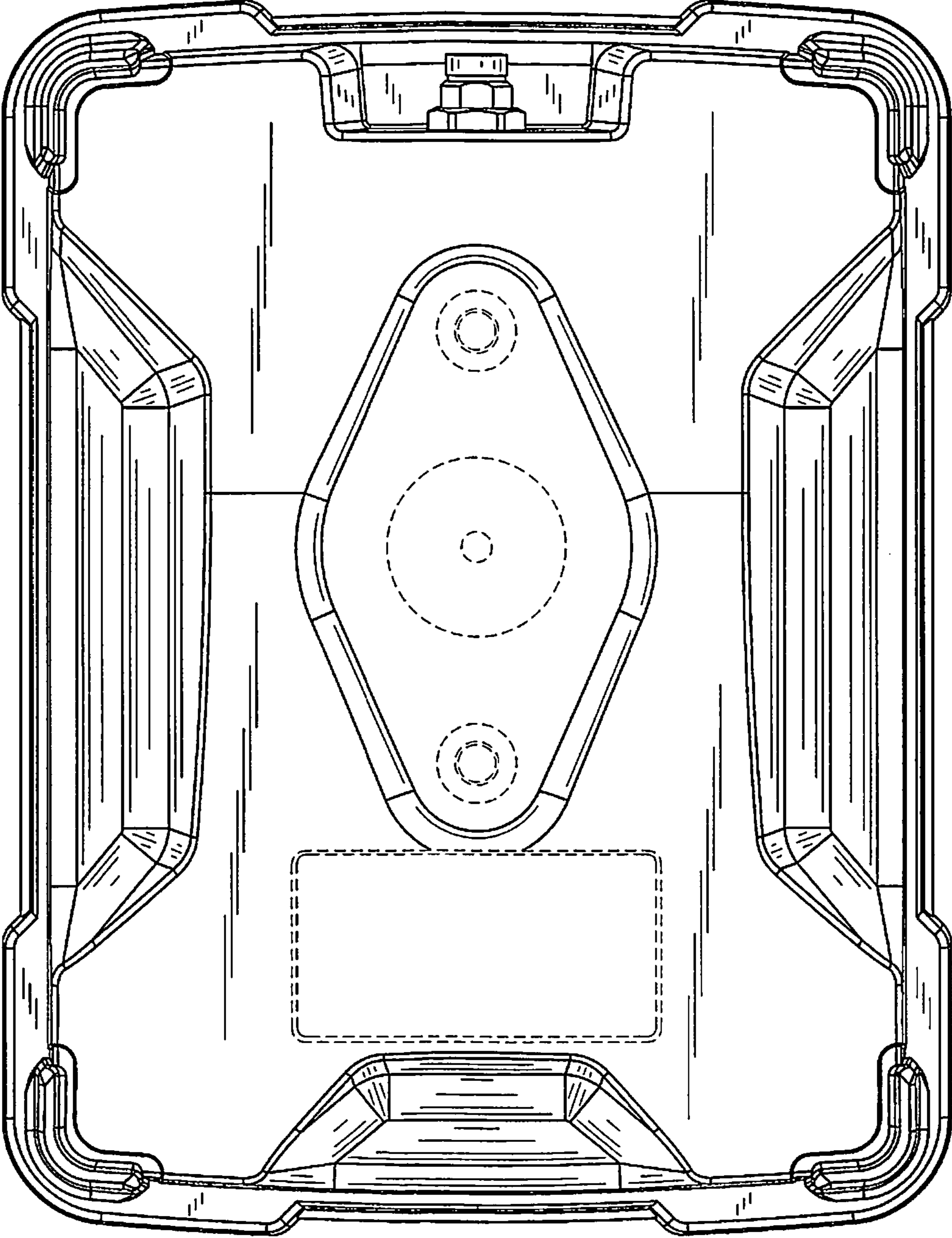


FIG. 3

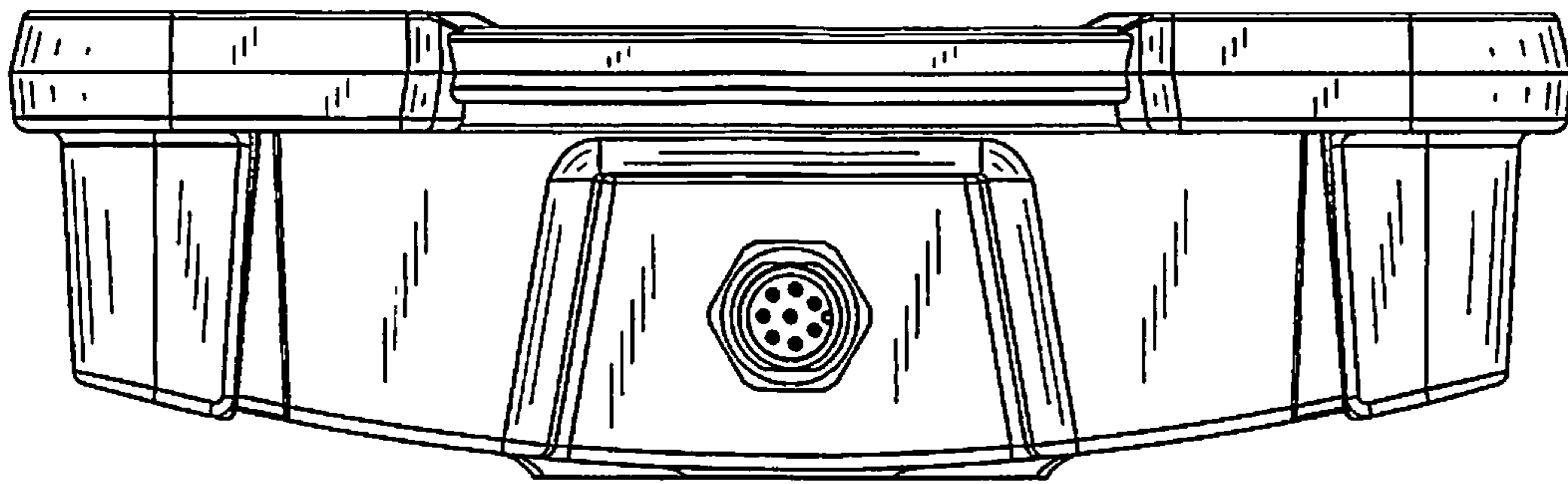


FIG. 4

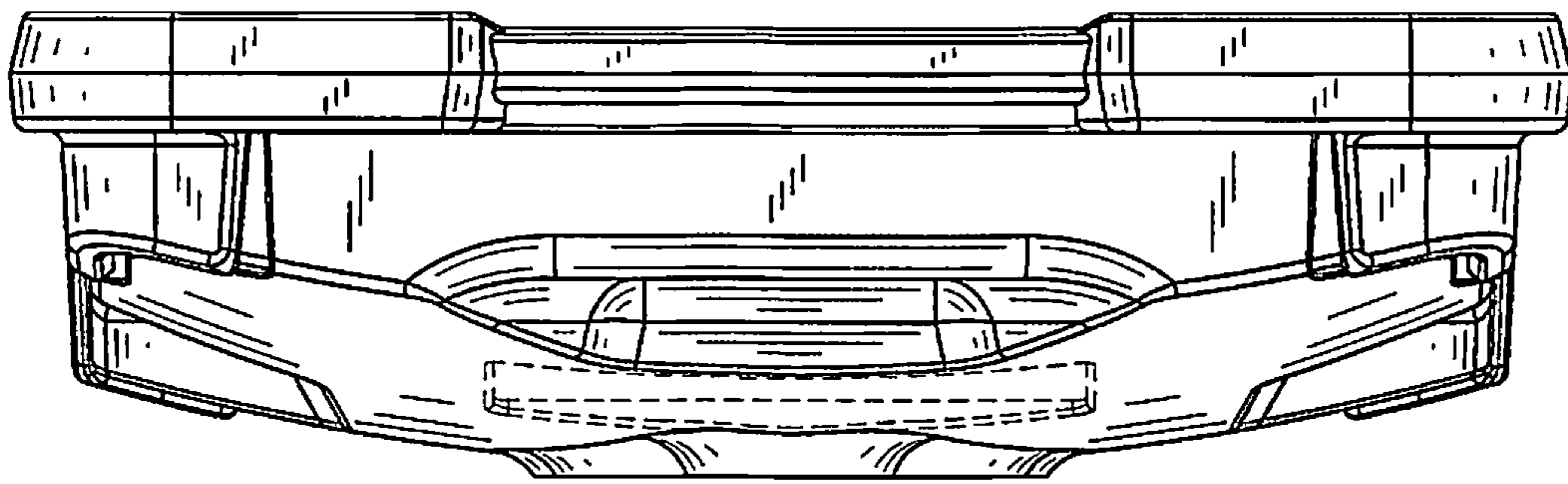


FIG. 5

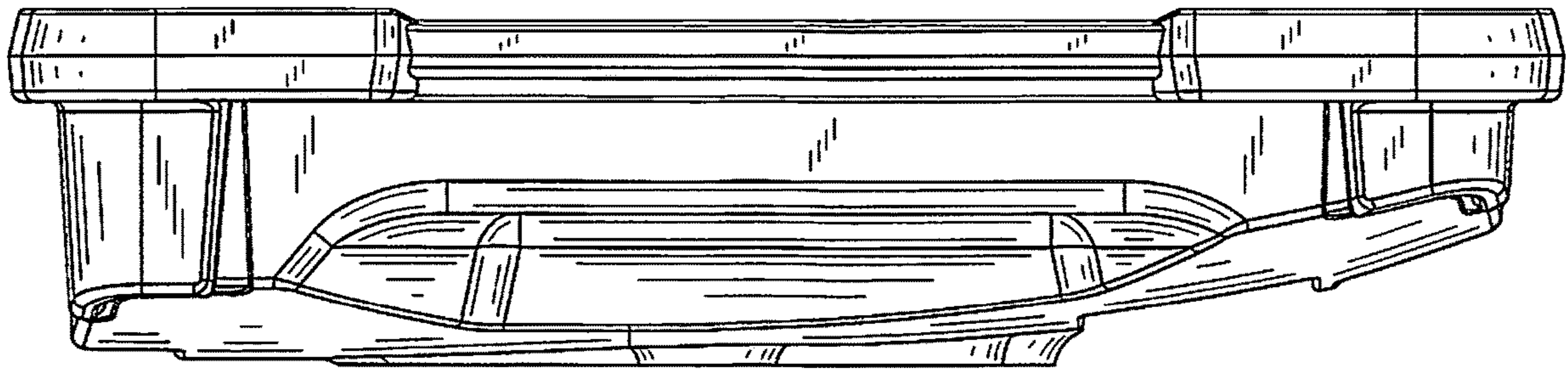


FIG. 6

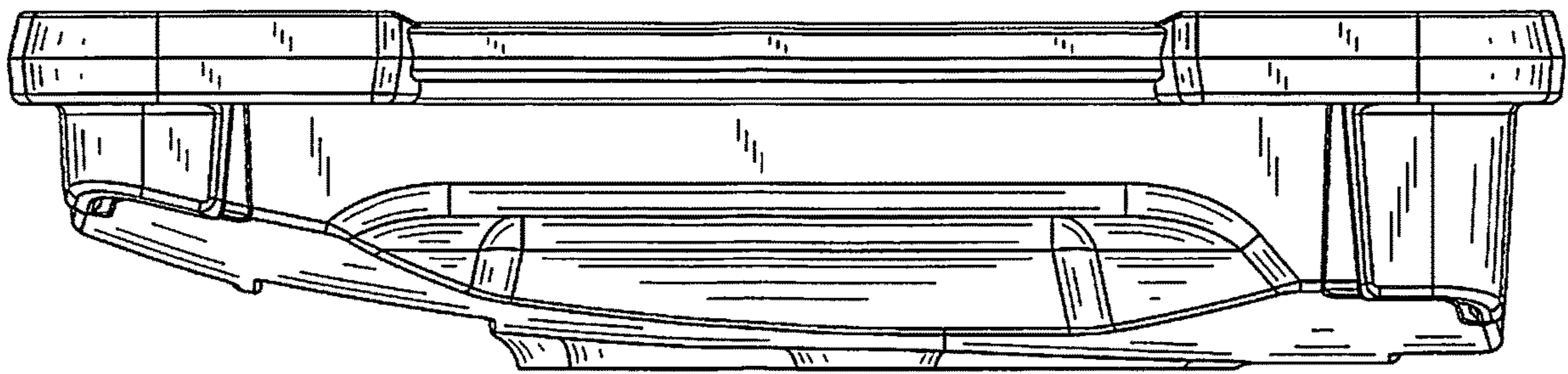


FIG. 7