



US00D985514S

(12) **United States Design Patent**
Schmid

(10) **Patent No.:** **US D985,514 S**

(45) **Date of Patent:** **** *May 9, 2023**

(54) **ELECTRONIC DEVICE**

(71) Applicant: **WÖHNER BESITZ GMBH**, Rödental (DE)

(72) Inventor: **Jürgen R. Schmid**, Ammerbuch (DE)

(73) Assignee: **WÖHNER BESITZ GMBH**, Rödental (DE)

(*) Notice: This patent is subject to a terminal disclaimer.

(**) Term: **15 Years**

(21) Appl. No.: **29/764,994**

(22) Filed: **Jan. 5, 2021**

(30) **Foreign Application Priority Data**

Jul. 13, 2020 (EM) 008037600

(51) **LOC (14) Cl.** **13-03**

(52) **U.S. Cl.**
USPC **D13/162; D13/159; D13/162.1**

(58) **Field of Classification Search**
USPC D10/46, 75, 104.1; D13/103, 107, 108, D13/110, 113, 123, 133, 139.4, 146, 147, D13/158, 159, 162, 162.1, 164, 178, 182, D13/184; D14/125, 140.4, 155, 214, 230, D14/239, 240, 242, 256, 299, 300, 301,
(Continued)

(56) **References Cited**

U.S. PATENT DOCUMENTS

D281,493 S * 11/1985 Prager D13/162.1
D309,600 S * 7/1990 Backes D13/162.1
(Continued)

OTHER PUBLICATIONS

C14, Date: Nov. 24, 2020, [online], [site visited Apr. 6, 2022]. Available from internet, URL: <https://www.motus-c14.de/en/> (Year: 2020).*

(Continued)

Primary Examiner — Shawn T Gingrich

Assistant Examiner — Bryan N. Melvin

(74) *Attorney, Agent, or Firm* — Millen, White, Zelano & Branigan, P.C.; William Nixon

(57) **CLAIM**

The ornamental design for an electronic device, as shown and described.

DESCRIPTION

The patent or application file contains at least one drawing executed in color. Copies of this patent or patent application publication with color drawing(s) will be provided by the Office upon request and payment of the necessary fee.

FIG. 1 illustrates a front perspective view of an electronic device showing my new design;

FIG. 2 illustrates a front elevational view thereof;

FIG. 3 illustrates a rear elevational view thereof;

FIG. 4 illustrates a right side elevational view thereof;

FIG. 5 illustrates a left side elevational view thereof;

FIG. 6 illustrates a top plan view thereof; and

FIG. 7 illustrates a bottom plan view thereof.

FIG. 8 illustrates the second embodiment front perspective view of an electronic device showing my new design;

FIG. 9 illustrates a front elevational view thereof;

FIG. 10 illustrates a rear elevational view thereof;

FIG. 11 illustrates a right side elevational view thereof;

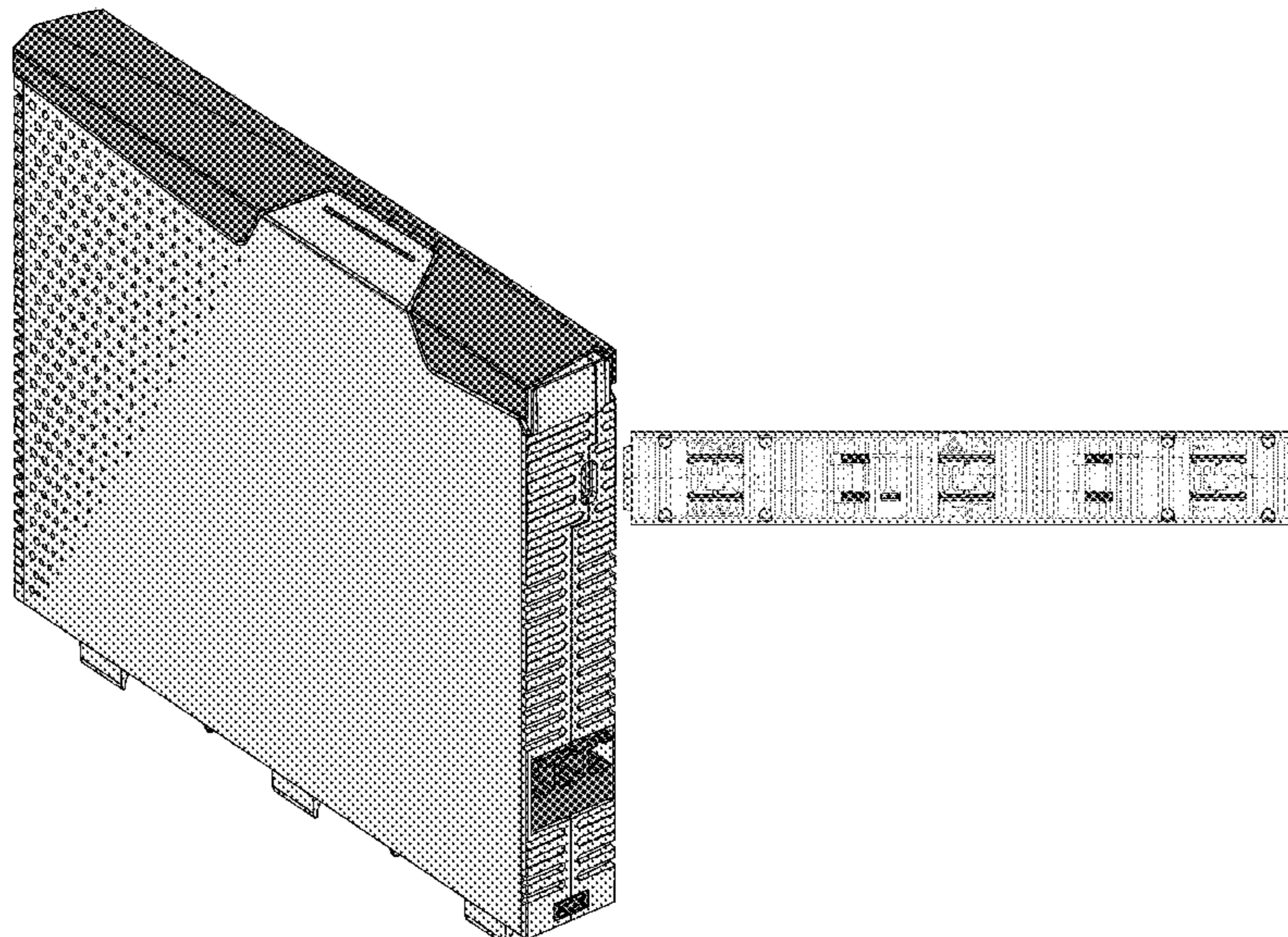
FIG. 12 illustrates a left side elevational view thereof;

FIG. 13 illustrates a top plan view thereof; and,

FIG. 14 illustrates a bottom plan view thereof.

The broken lines in the drawings illustrate portions of the electronic device that form no part of the claimed design.

1 Claim, 14 Drawing Sheets
(12 of 14 Drawing Sheet(s) Filed in Color)



(58) **Field of Classification Search**

USPC D14/308, 313, 349, 353, 356, 358, 368,
D14/389, 433, 435, 438, 441, 444, 496
CPC .. H05K 7/1465; H05K 7/1484; H05K 5/0204;
H04B 1/38; H04B 1/3888; H01H
71/0228; G06F 1/183; G05B 19/414
See application file for complete search history.

D735,667 S * 8/2015 Mielnik D13/123
D798,236 S * 9/2017 Nada D13/162
D816,048 S * 4/2018 Stray D13/162
D837,785 S * 1/2019 Izumo D14/356
D898,680 S * 10/2020 Thatcher D13/162
10,840,046 B2 * 11/2020 Delbaere H01H 71/0228
2016/0029501 A1 * 1/2016 Wu H04B 1/3888
174/541

(56) **References Cited**

U.S. PATENT DOCUMENTS

5,493,194 A * 2/1996 Damiano H05K 7/1484
318/575
D417,223 S * 11/1999 Groves D14/125
6,172,875 B1 * 1/2001 Suzuki H05K 7/1465
361/752
D629,398 S * 12/2010 Chang D14/240

OTHER PUBLICATIONS

Motus, Date: Dec. 29, 2020, [online], [site visited Apr. 6, 2022].
Available from internet, URL: <https://www.automation-fair.com/2020/12/29/wohner-presents-groundbreaking-motor-starters-motus-c14-based-on-c14-technology/> (Year: 2020).*

* cited by examiner

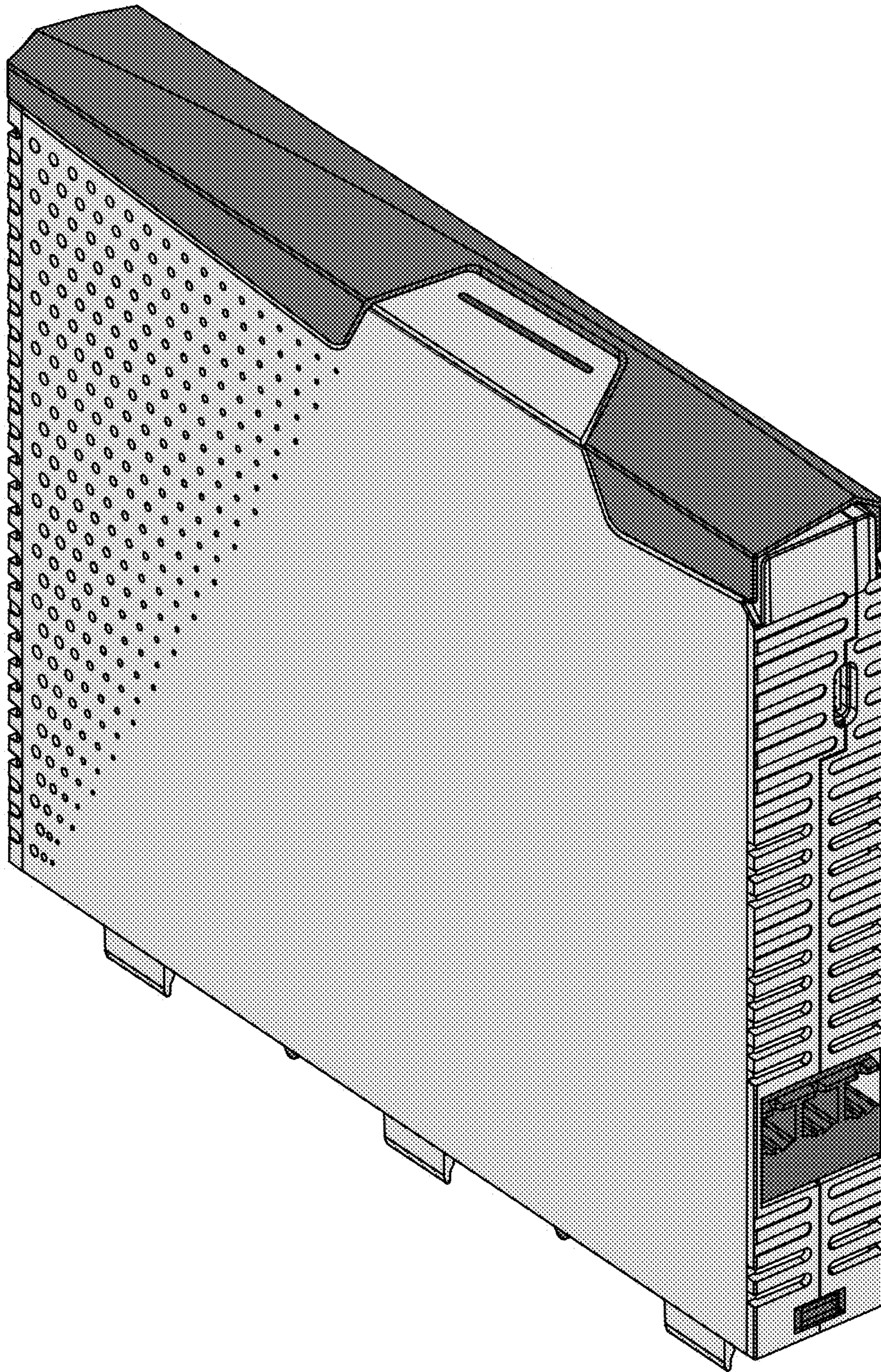


FIG. 1

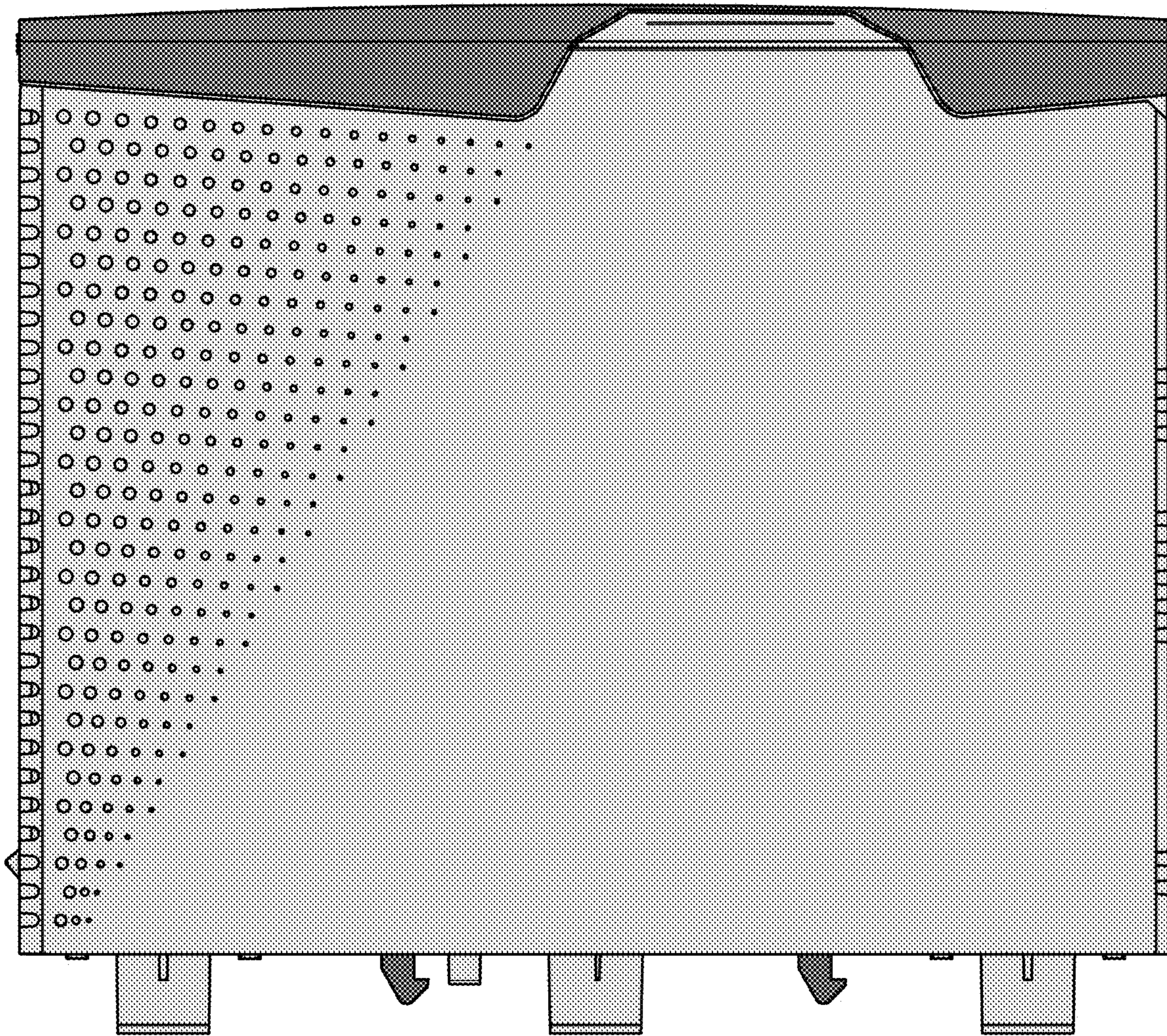


FIG. 2

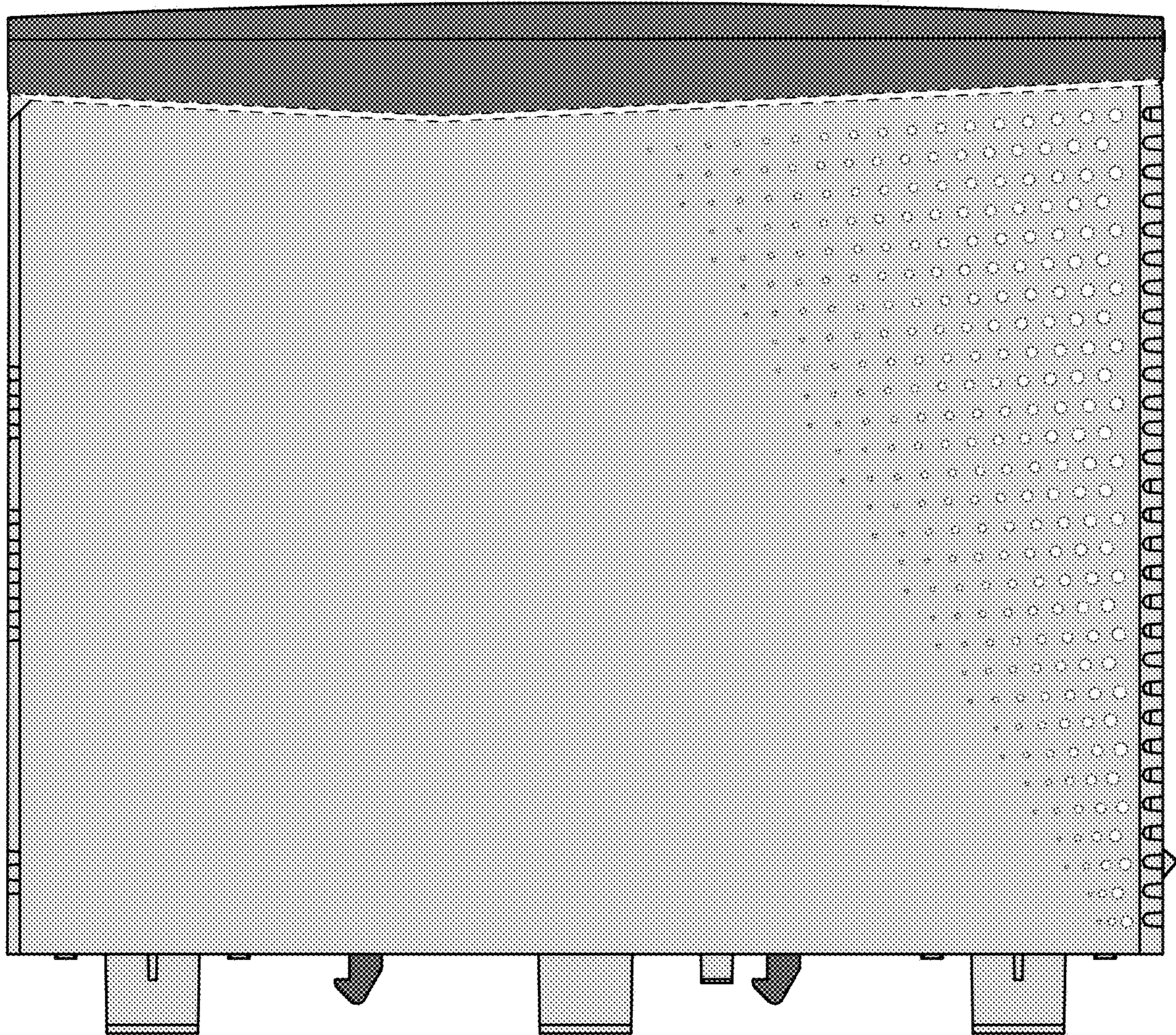


FIG. 3

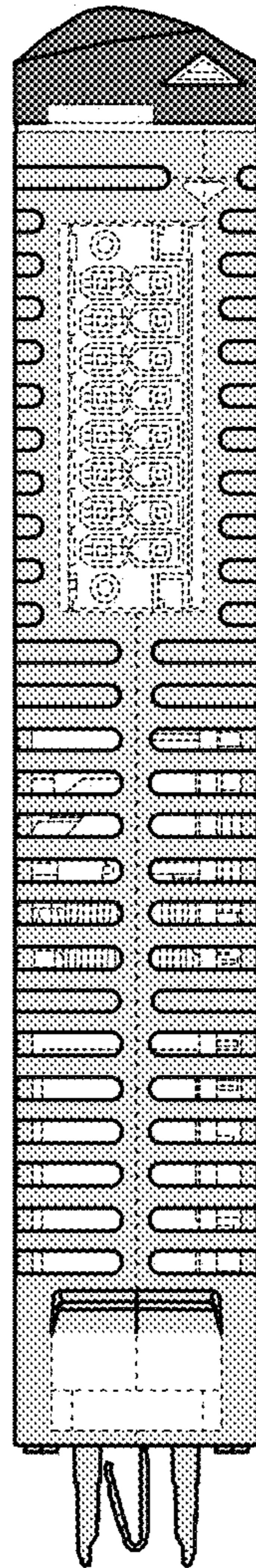


FIG. 4

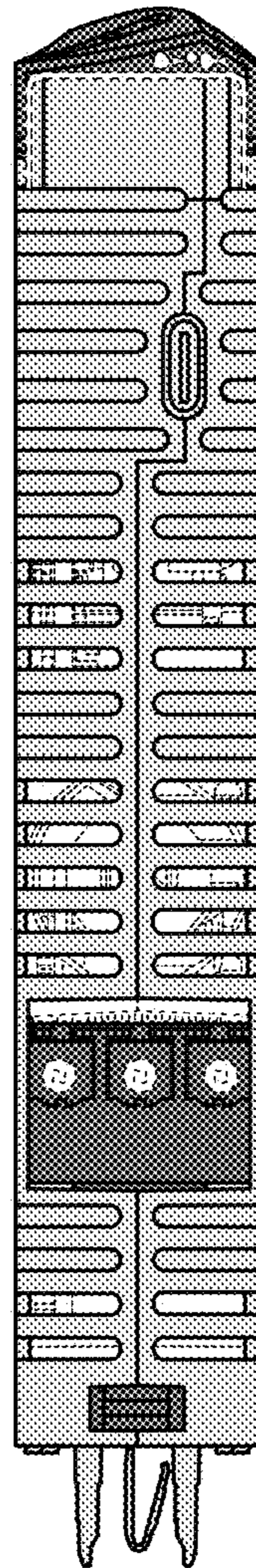


FIG. 5

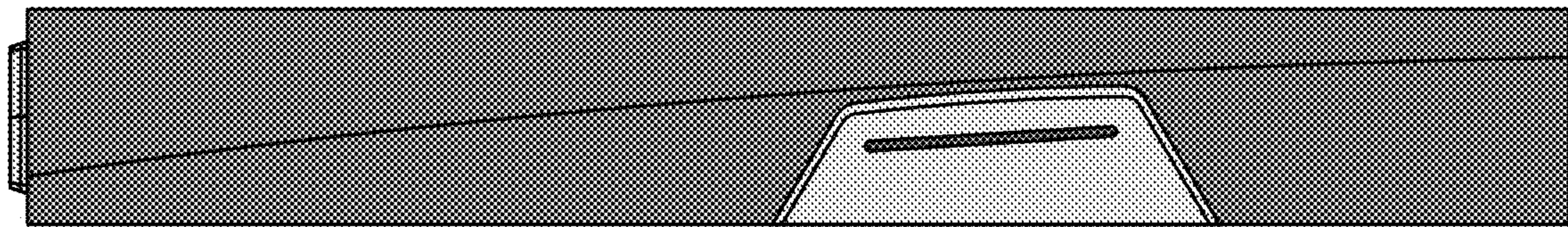


FIG. 6

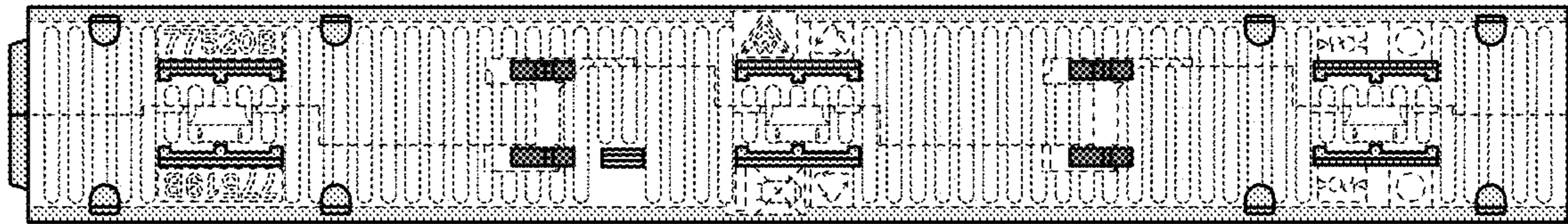


FIG. 7

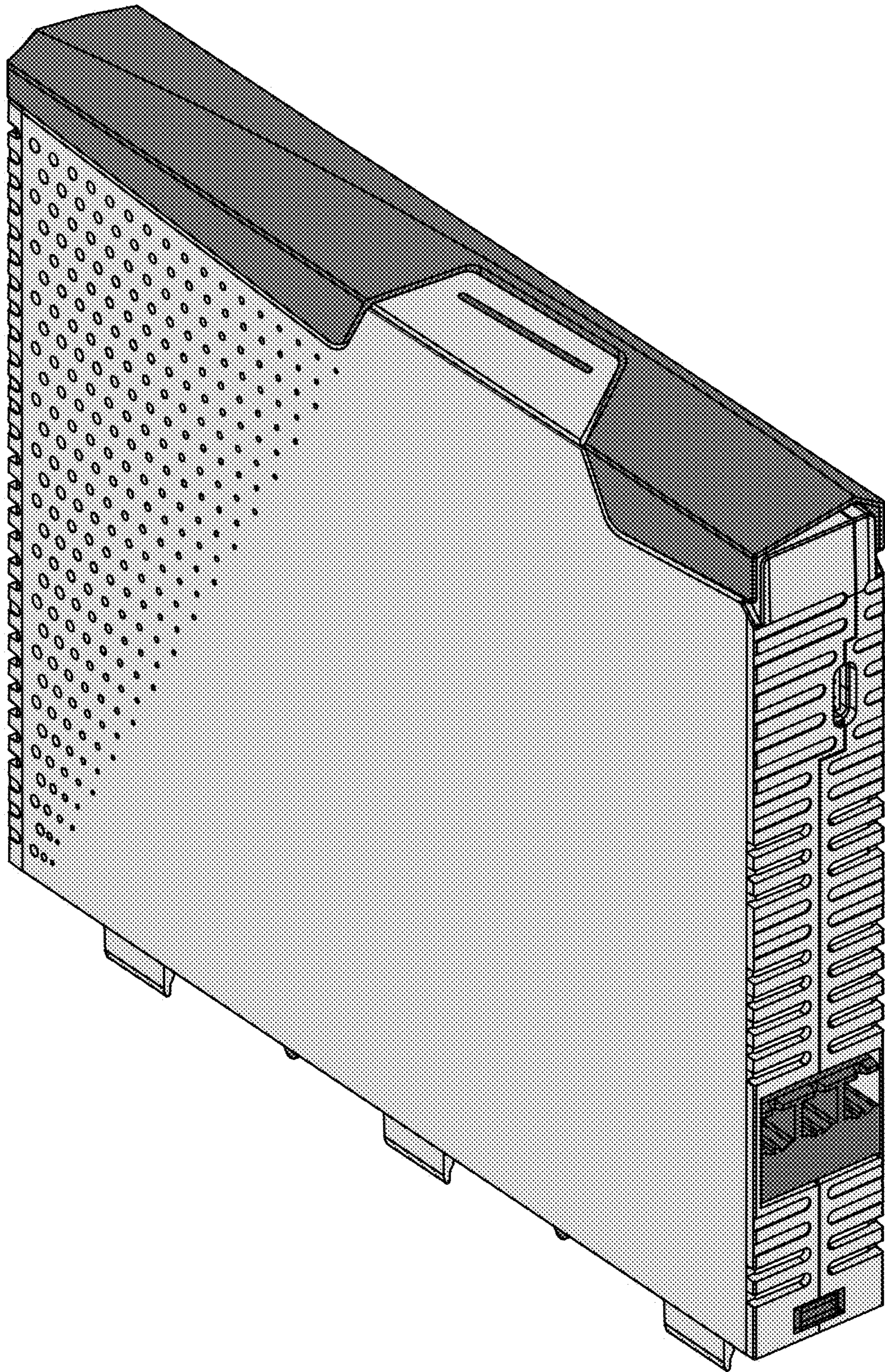


FIG. 8

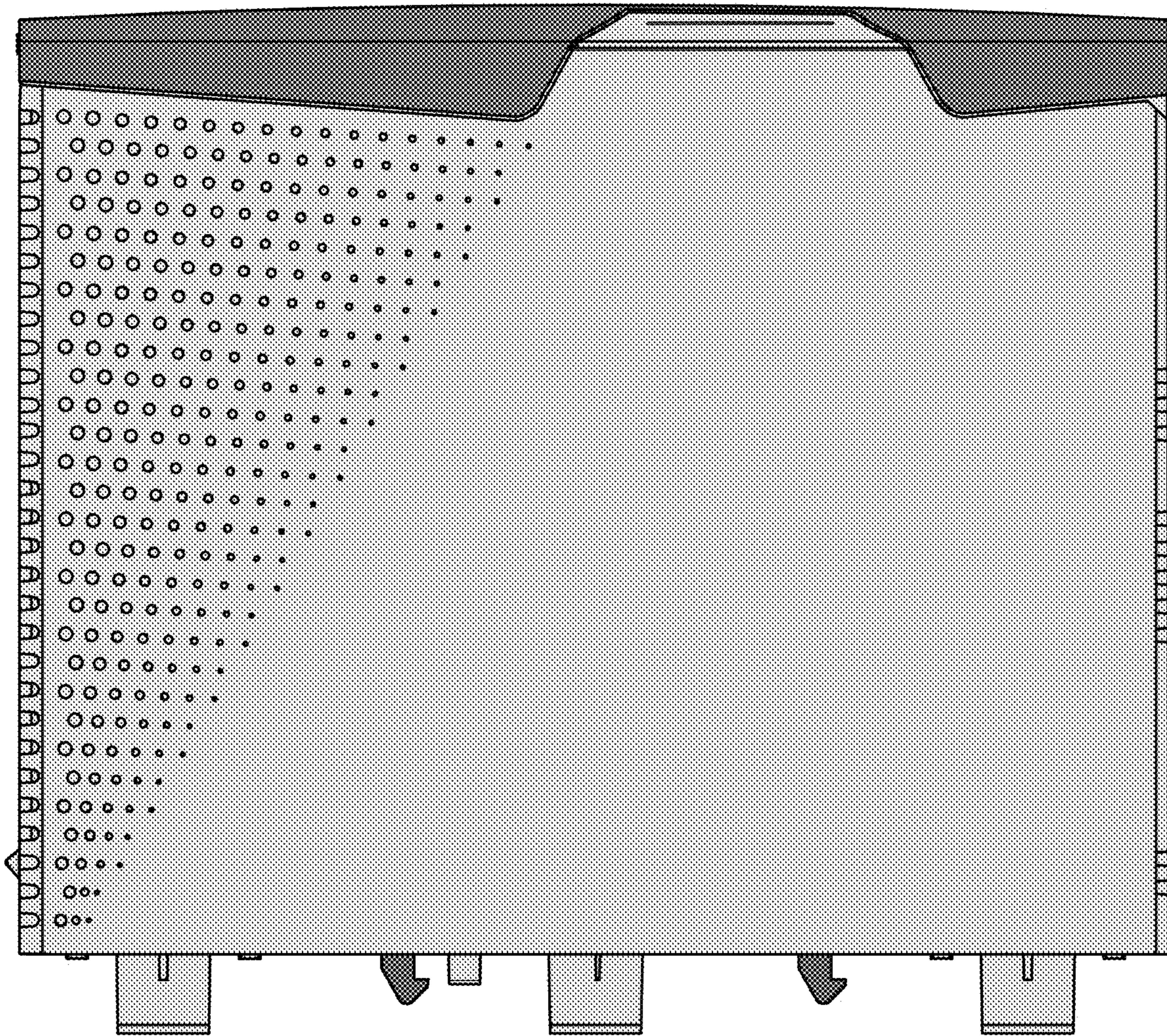


FIG. 9

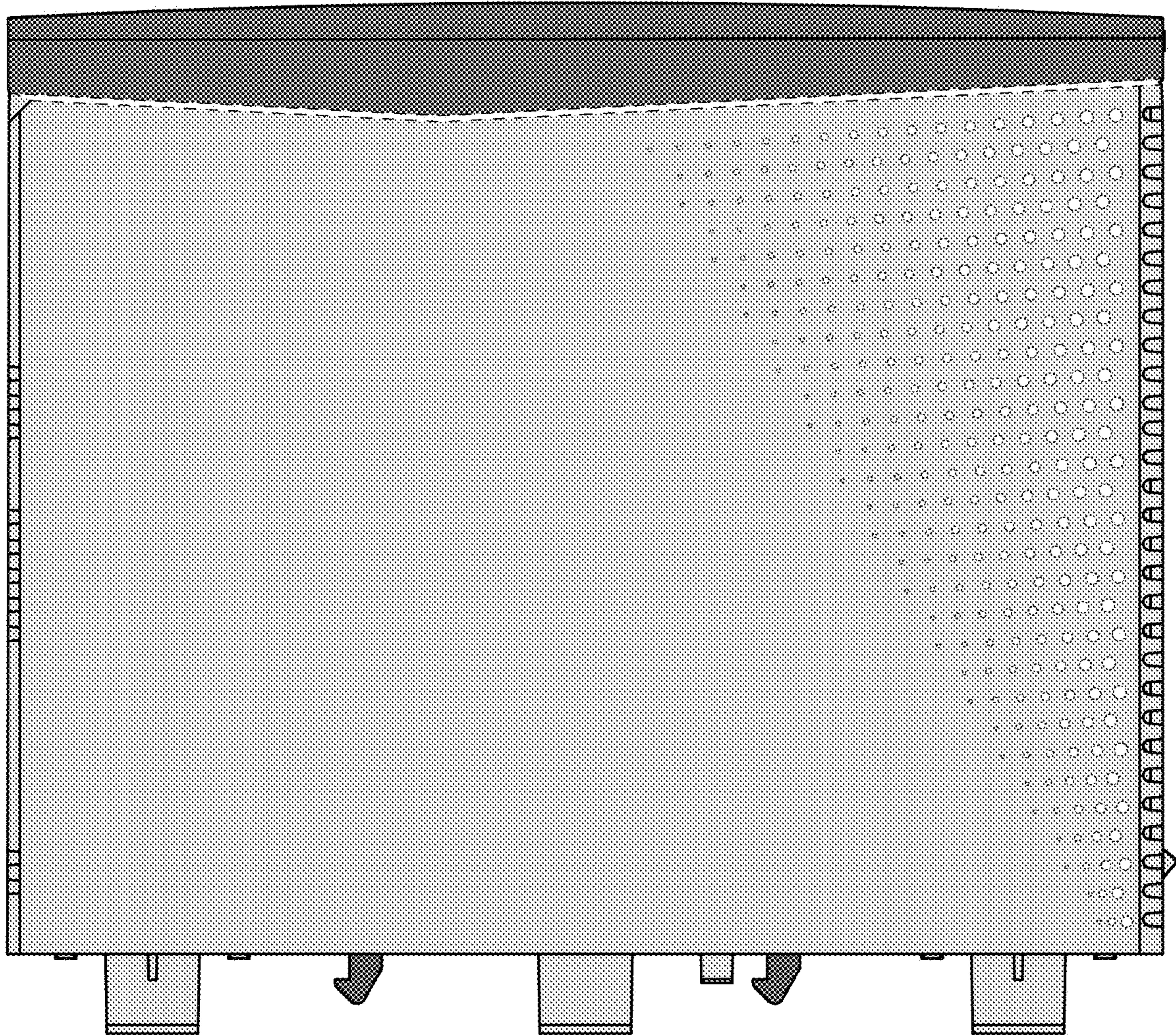


FIG. 10

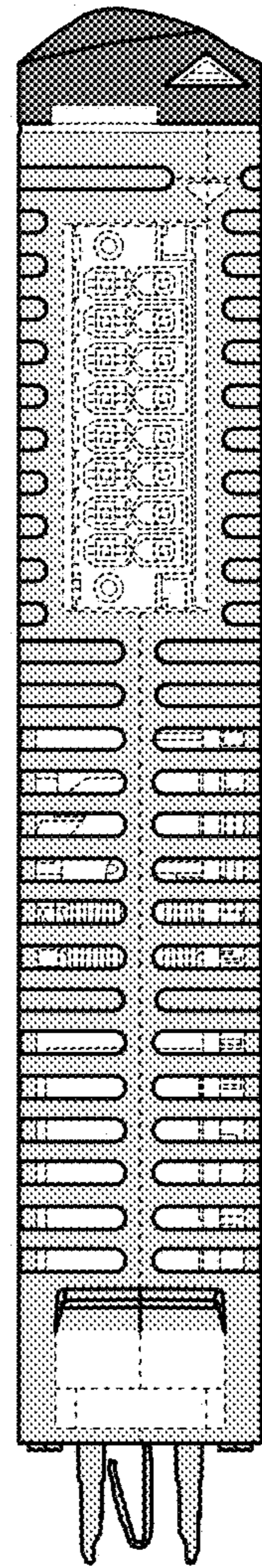


FIG. 11

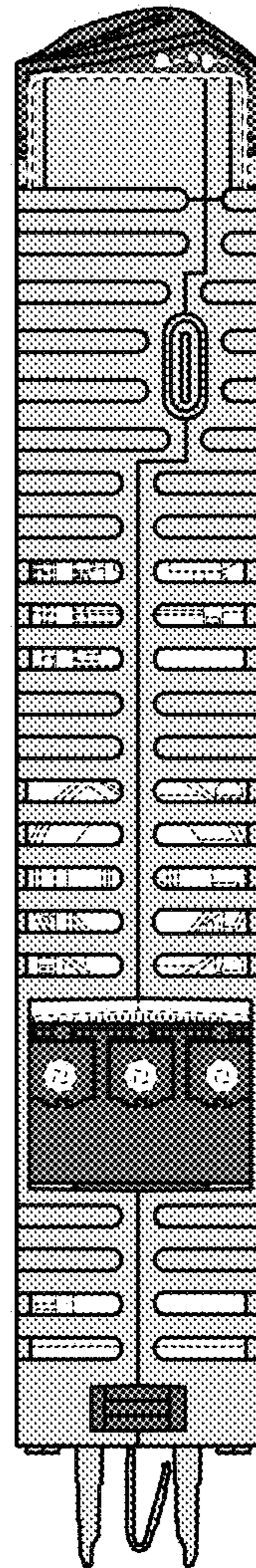


FIG. 12

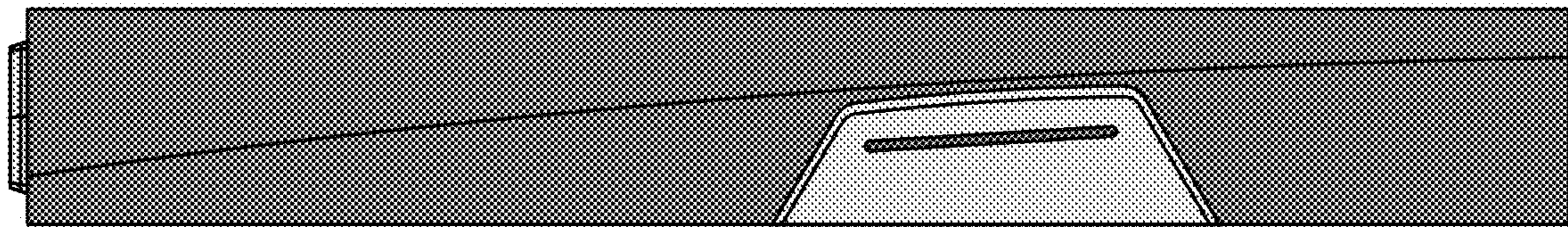


FIG. 13

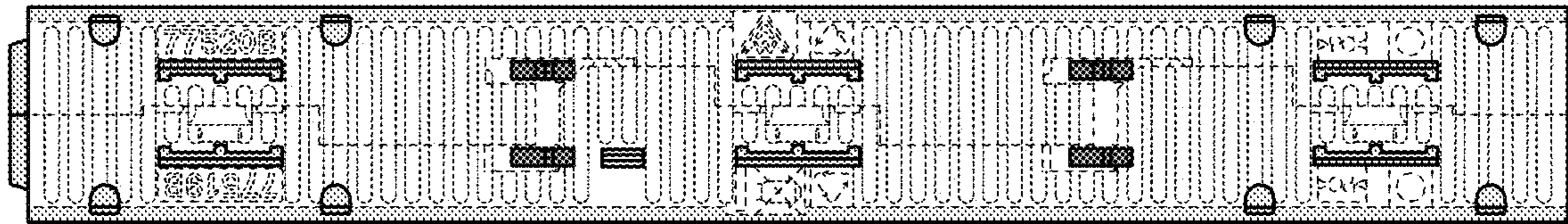


FIG. 14