



US00D985513S

(12) **United States Design Patent** (10) **Patent No.:** **US D985,513 S**
Lan (45) **Date of Patent:** **** May 9, 2023**

(54) **HVAC ADAPTOR CORD**

(71) Applicant: **Dun Lan**, Baotou (CN)

(72) Inventor: **Dun Lan**, Baotou (CN)

(**) Term: **15 Years**

(21) Appl. No.: **29/834,750**

(22) Filed: **Apr. 14, 2022**

(51) **LOC (14) Cl.** **13-03**

(52) **U.S. Cl.**
USPC **D13/153**

(58) **Field of Classification Search**

USPC ... D13/133, 137.1, 137.4, 139.1, 139.7, 146,
D13/147, 153, 154, 155, 199, 110, 120;
D14/432, 433, 435.1, 438
CPC H01R 13/20; H01R 13/26; H01R 13/434;
H01R 13/625; H01R 13/642; H01R
13/652; H01R 25/006; H01R 27/02;
H01R 31/005; G06F 13/382
See application file for complete search history.

(56) **References Cited**

U.S. PATENT DOCUMENTS

5,399,102	A *	3/1995	Devine	H01R 31/06 439/923
D472,520	S	4/2003	Genicevitch		
6,913,482	B1 *	7/2005	Wu	H01R 25/003 439/502
D509,797	S	9/2005	Milan		
7,004,595	B1 *	2/2006	Stoddard	H01R 31/065 439/107
7,041,905	B1 *	5/2006	Stewart	H01R 13/447 174/67
D556,134	S *	11/2007	Lee	D13/133
D595,228	S	6/2009	Huang		
D605,123	S *	12/2009	Bizzell	D13/139.1
D605,124	S *	12/2009	Bizzell	D13/139.1
D605,125	S *	12/2009	Bizzell	D13/139.1
D625,265	S *	10/2010	DuMelle	D13/120

(Continued)

Primary Examiner — Rosemary K Tarcza

Assistant Examiner — Seth David Kumpf

(74) *Attorney, Agent, or Firm* — Rumit Ranjit Kanakia

(57) **CLAIM**

The ornamental design for a HVAC adaptor cord, as shown and described.

DESCRIPTION

FIG. 1 is a perspective view of a HVAC adaptor cord showing my new design;

FIG. 2 is the second perspective view thereof;

FIG. 3 is the third perspective view thereof;

FIG. 4 is a front elevational view thereof;

FIG. 5 is a rear elevational view thereof;

FIG. 6 is a left side elevational view thereof;

FIG. 7 is a right side elevational view thereof;

FIG. 8 is a top plan view thereof;

FIG. 9 is a bottom plan view thereof;

FIG. 10 is an enlarged detail view of encircled portion 10, shown in FIG. 1;

FIG. 11 is an enlarged detail view of encircled portion 11, shown in FIG. 1;

FIG. 12 is an enlarged detail view of encircled portion 12, shown in FIG. 2;

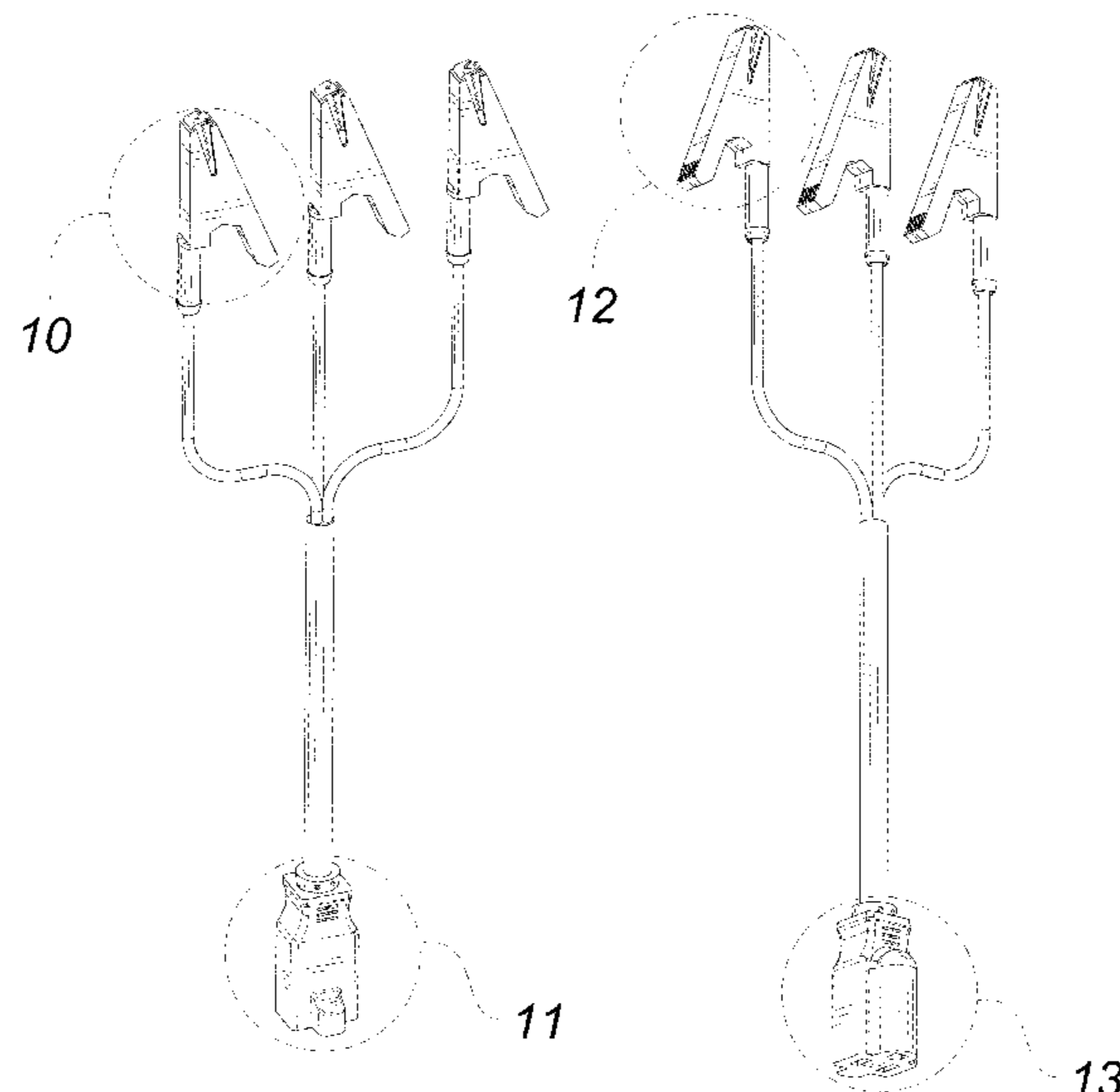
FIG. 13 is an enlarged detail view of encircled portion 13, shown in FIG. 2;

FIG. 14 is an enlarged detail view of encircled portion 14, shown in FIG. 3; and,

FIG. 15 is an enlarged detail view of encircled portion 15; shown in FIG. 8.

The broken lines shown in the drawings are for the purpose of illustrating portions of the article that form no part of the claimed design. The broken lines encircling portions of the article in FIGS. 1-3, 8, and 10-15 are for the purpose of indicating the boundaries of the detailed views shown in FIGS. 10-15, and form no part of the claimed design.

1 Claim, 13 Drawing Sheets



(56)

References Cited

U.S. PATENT DOCUMENTS

D676,389 S 2/2013 Worth
 D679,656 S * 4/2013 Richards D13/146
 D714,731 S 10/2014 Lee
 D715,741 S * 10/2014 Dallmeyer D13/146
 D726,109 S * 4/2015 Nook D13/149
 D739,356 S 9/2015 Lin
 D746,774 S * 1/2016 Nook D13/120
 D755,726 S * 5/2016 Michas D13/153
 D795,817 S 8/2017 Zheng
 D809,462 S 2/2018 Mizrahi
 D819,576 S 6/2018 Hahn
 D830,301 S * 10/2018 Toscani D13/120
 D830,302 S * 10/2018 Toscani D13/120
 D889,411 S * 7/2020 Wang D13/120
 D893,431 S * 8/2020 Nook D13/137.1
 D896,760 S * 9/2020 Yu D13/137.3
 D903,602 S * 12/2020 Nook D13/137.1
 D903,603 S * 12/2020 Nook D13/137.1

D913,932 S * 3/2021 Nook D13/120
 D913,938 S * 3/2021 Nook D13/120
 D924,151 S 7/2021 Chen
 D926,689 S * 8/2021 Gu D13/120
 D931,811 S * 9/2021 Bone D13/120
 D931,813 S * 9/2021 Nook D13/120
 D933,605 S * 10/2021 Nook D13/120
 D934,174 S * 10/2021 Protti D13/120
 D934,805 S * 11/2021 Nook D13/120
 D934,807 S * 11/2021 Rehak D13/133
 D946,526 S * 3/2022 Wang D13/120
 D958,075 S * 7/2022 Nook D13/120
 D966,196 S * 10/2022 Liu D13/137.4
 2003/0124893 A1 * 7/2003 Campbell H01R 13/7036
 439/188
 2010/0141038 A1 * 6/2010 Chapel H01R 25/003
 307/64
 2015/0130401 A1 * 5/2015 Pierson H02J 7/342
 320/105
 2019/0296503 A1 * 9/2019 Gilliland H01R 4/56

* cited by examiner

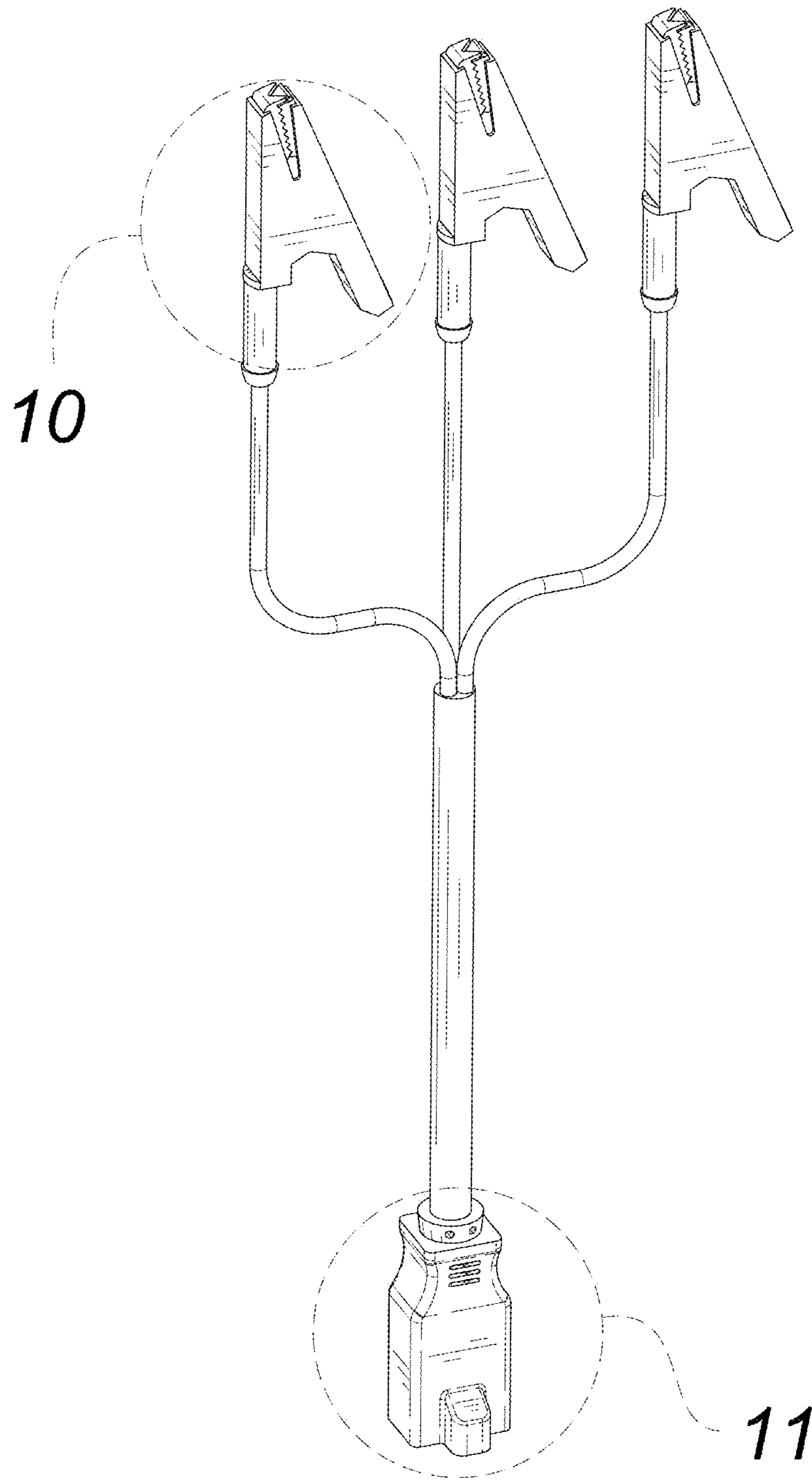


FIG. 1

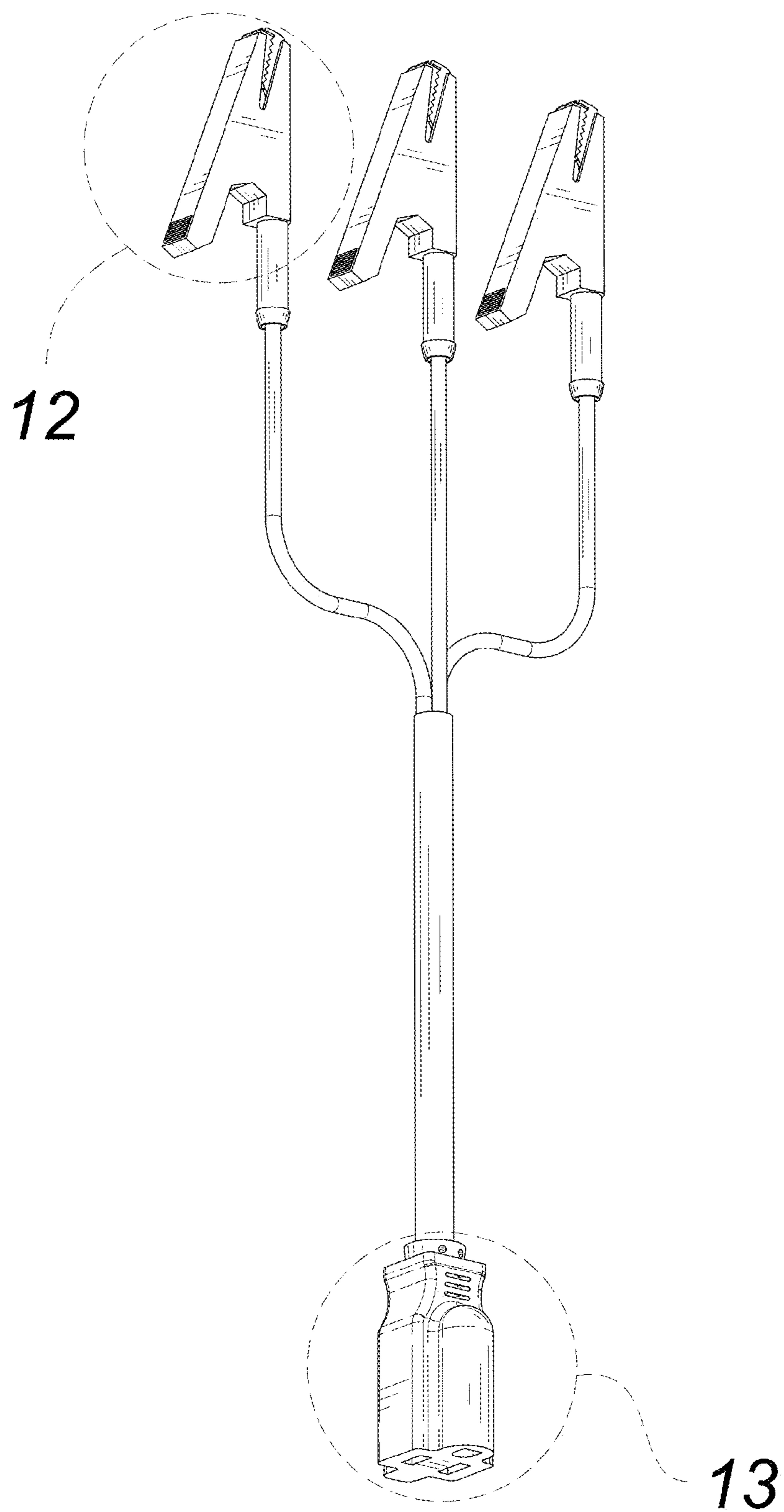


FIG. 2

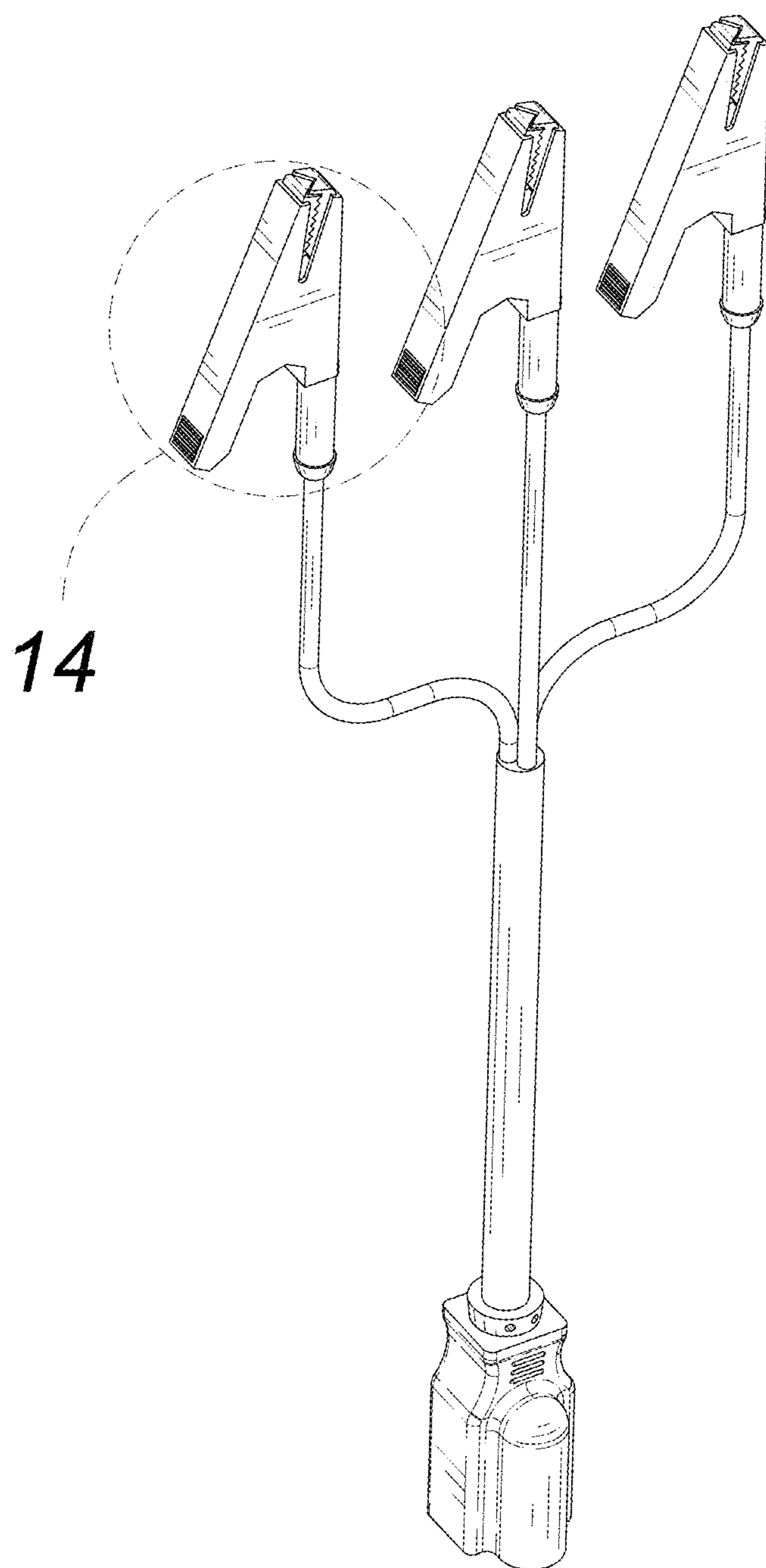


FIG. 3

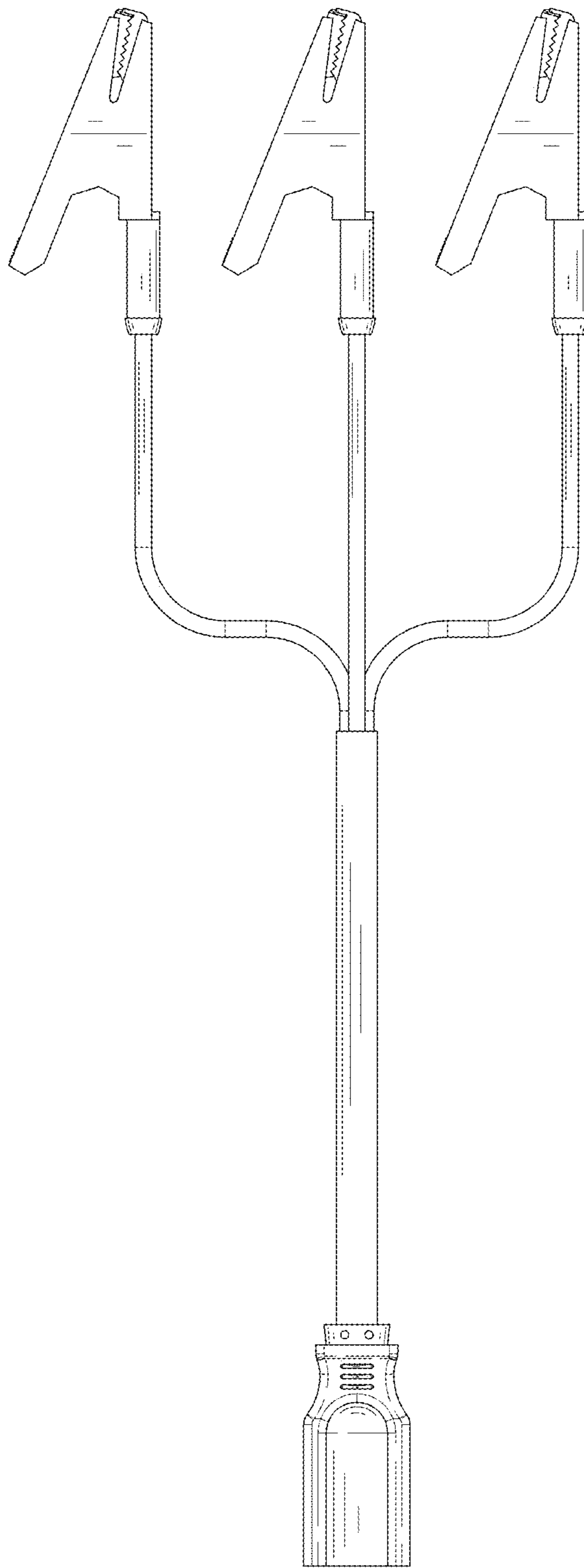


FIG. 4

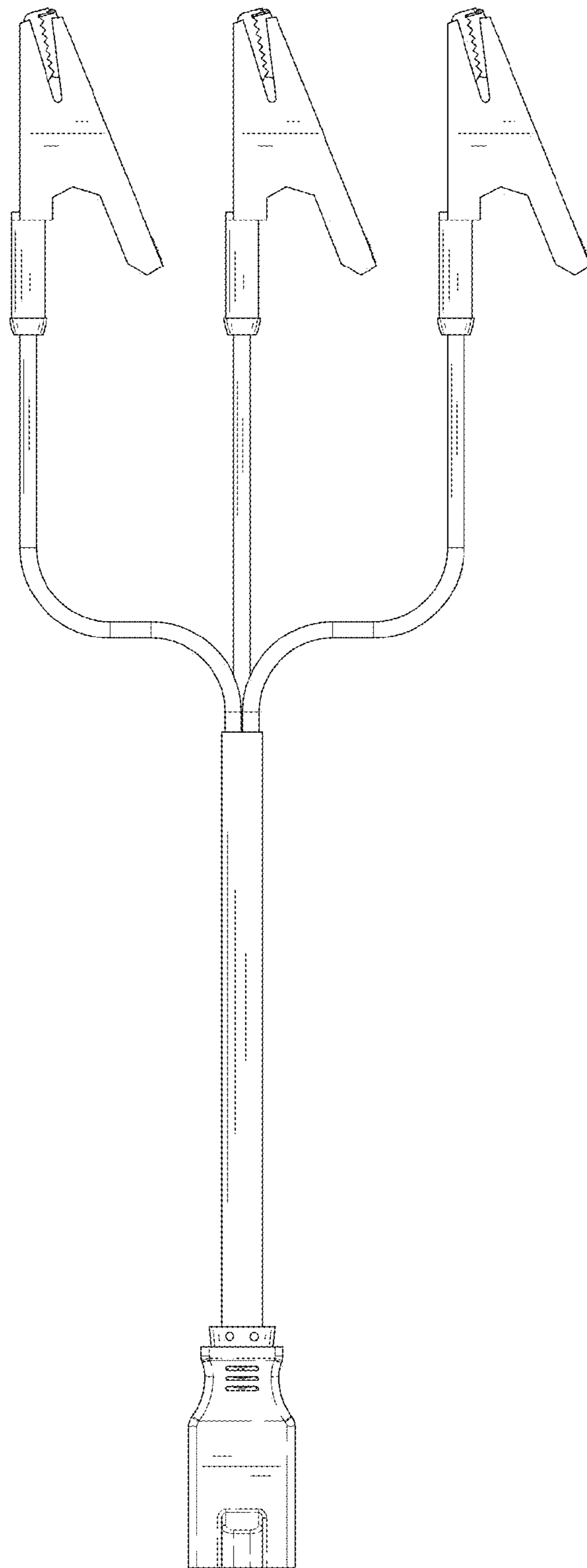


FIG. 5

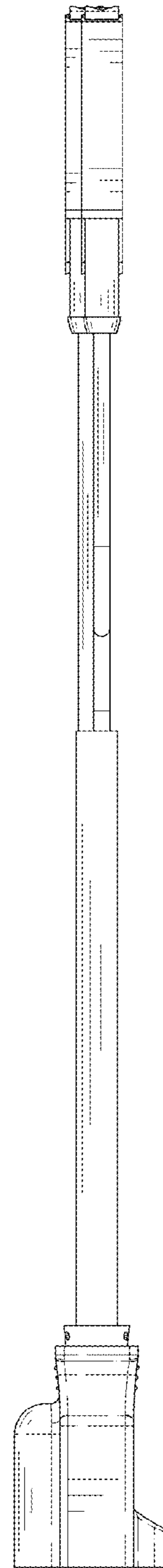
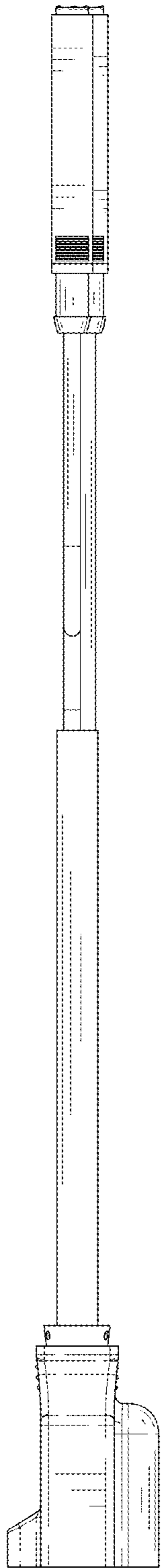


FIG. 6

FIG. 7

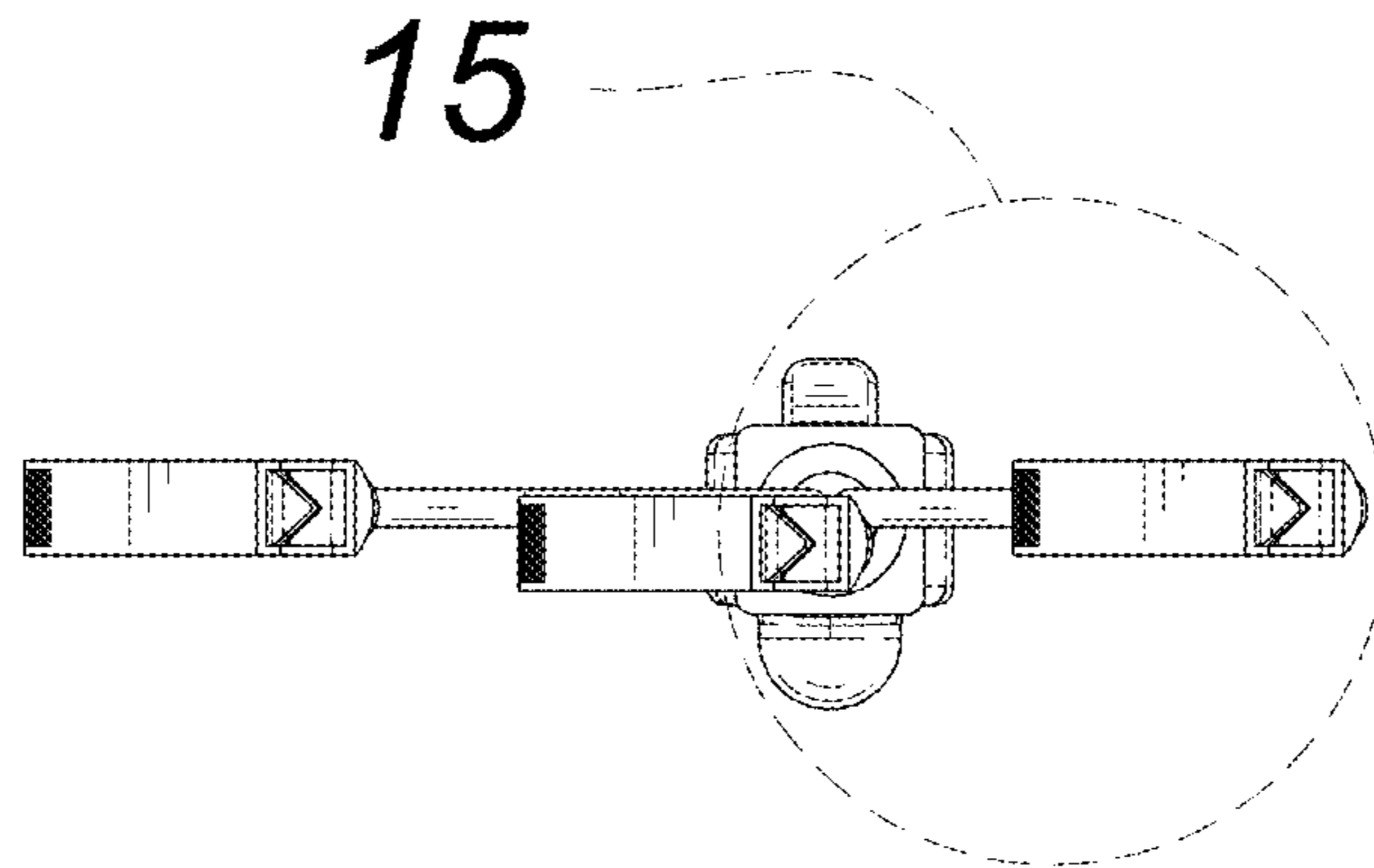


FIG. 8

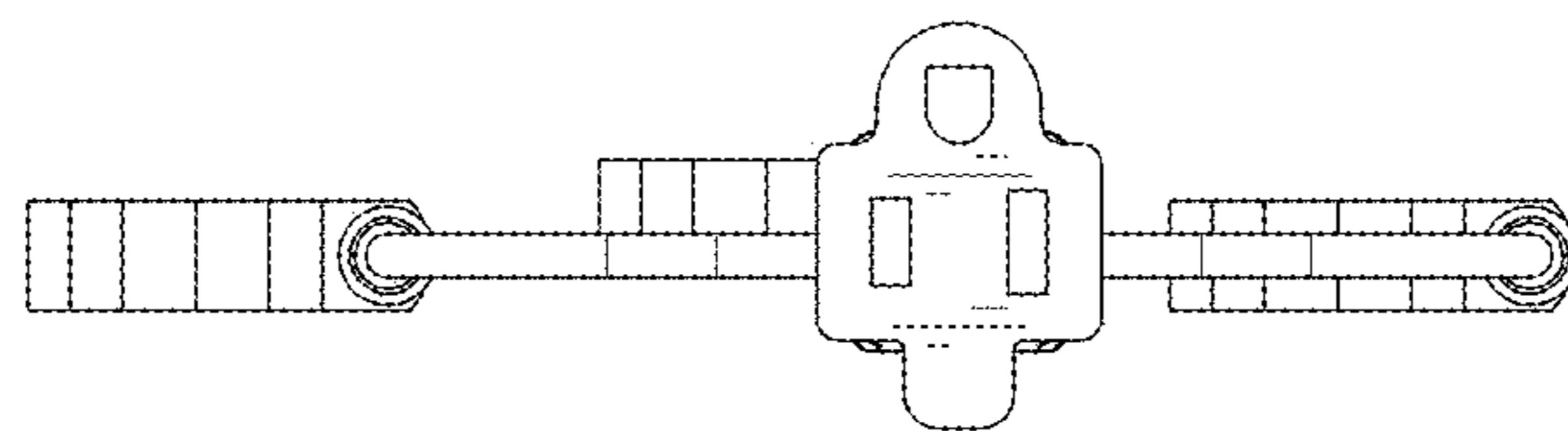


FIG. 9

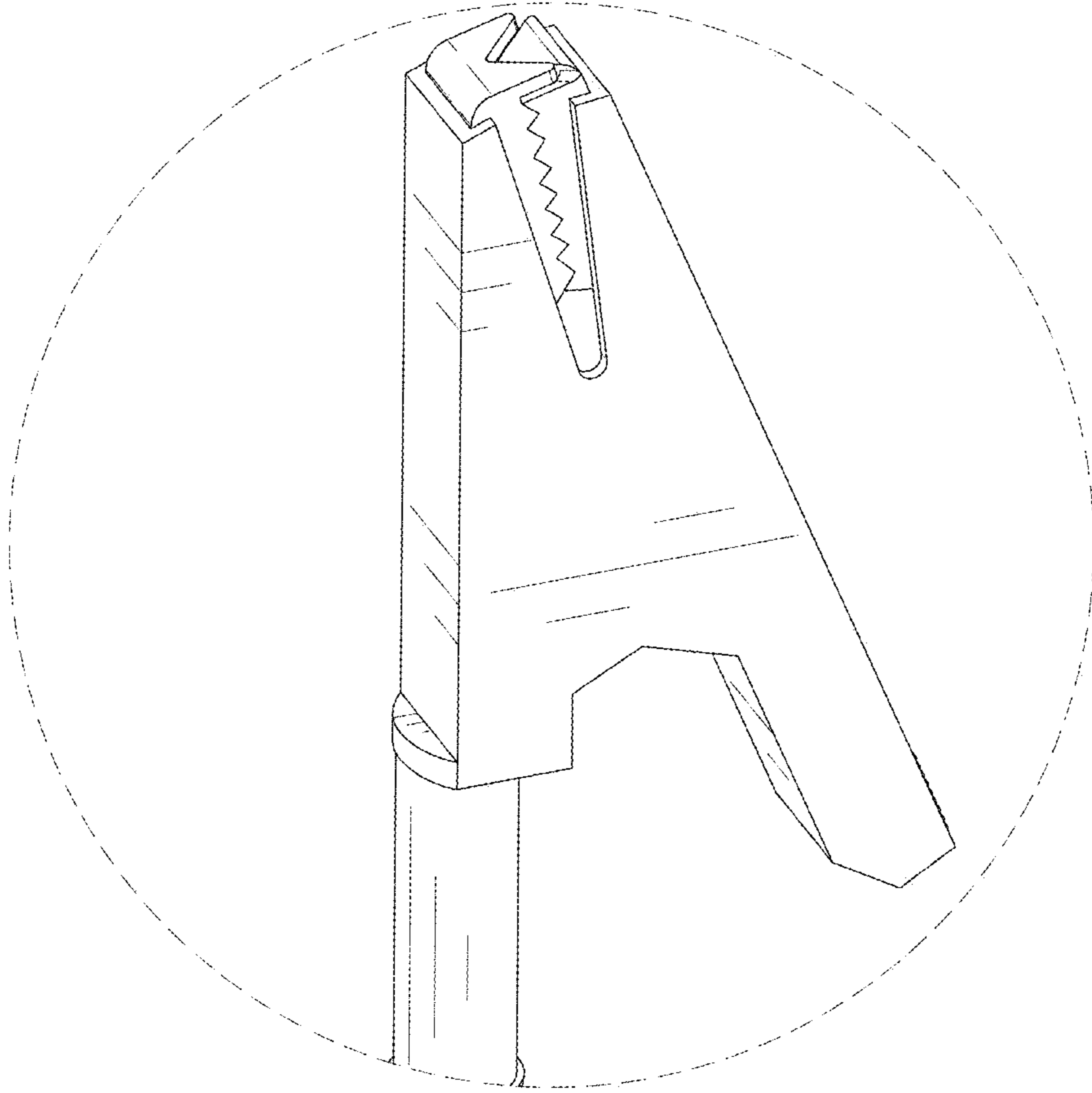


FIG. 10

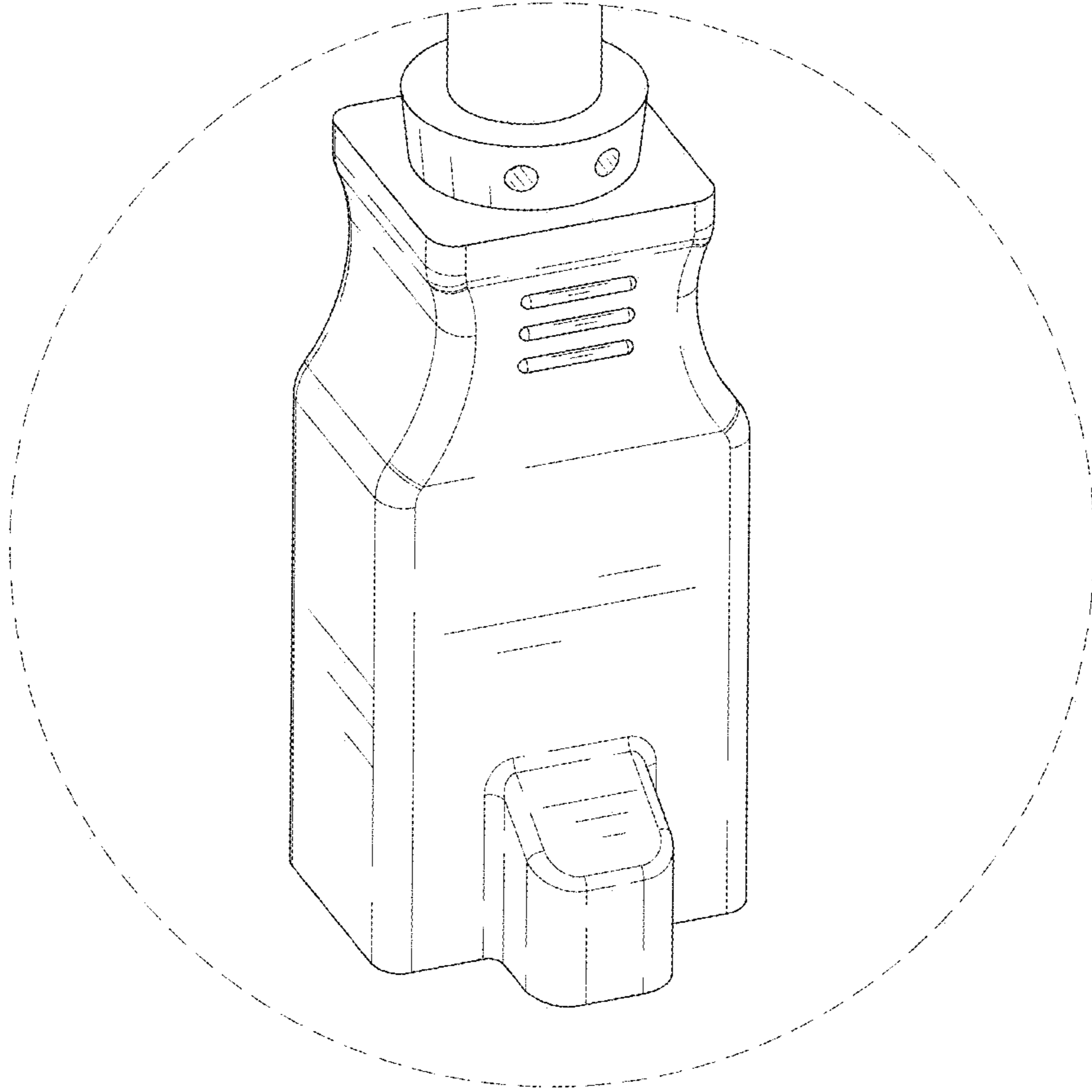


FIG. 11

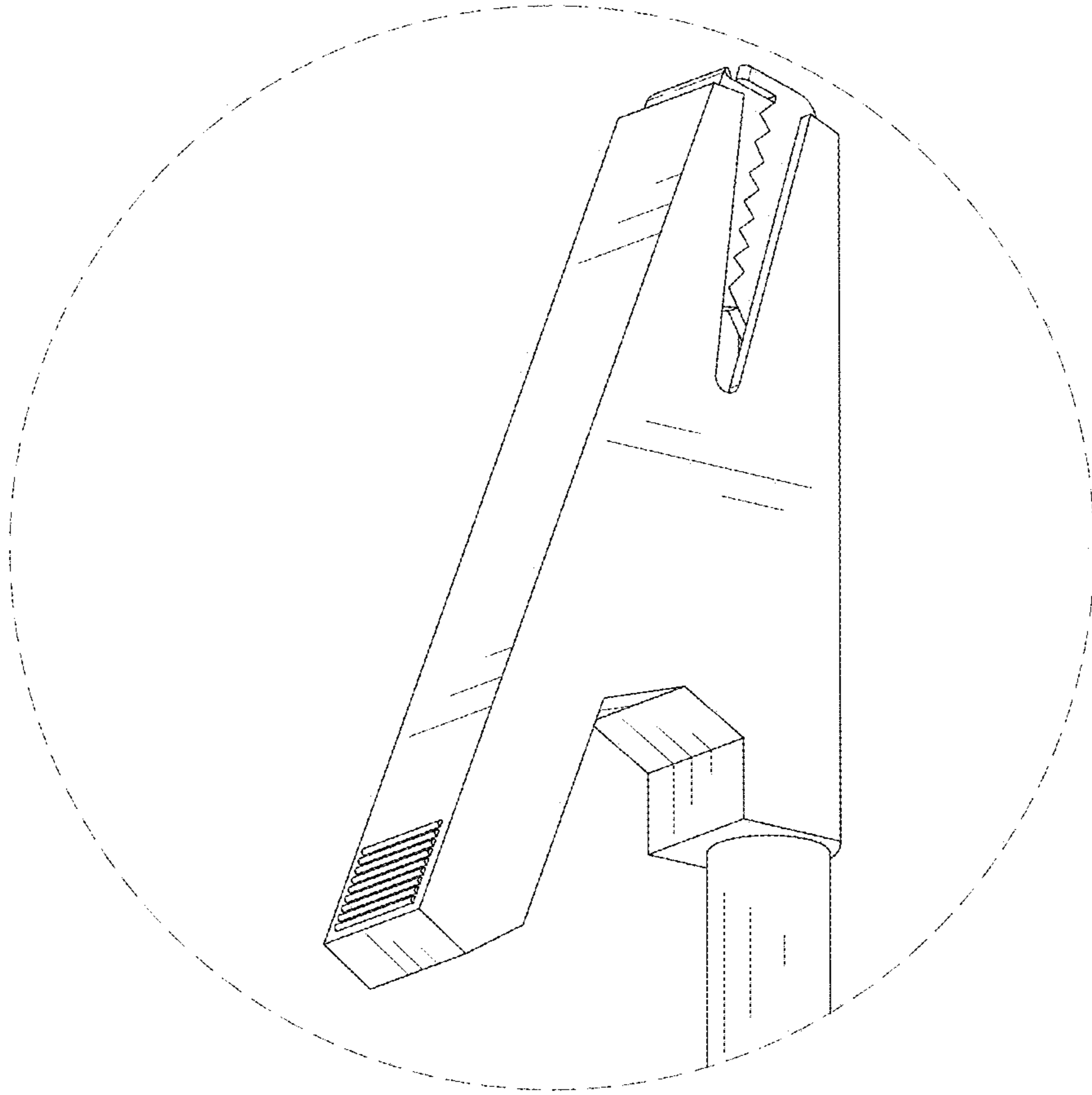


FIG. 12

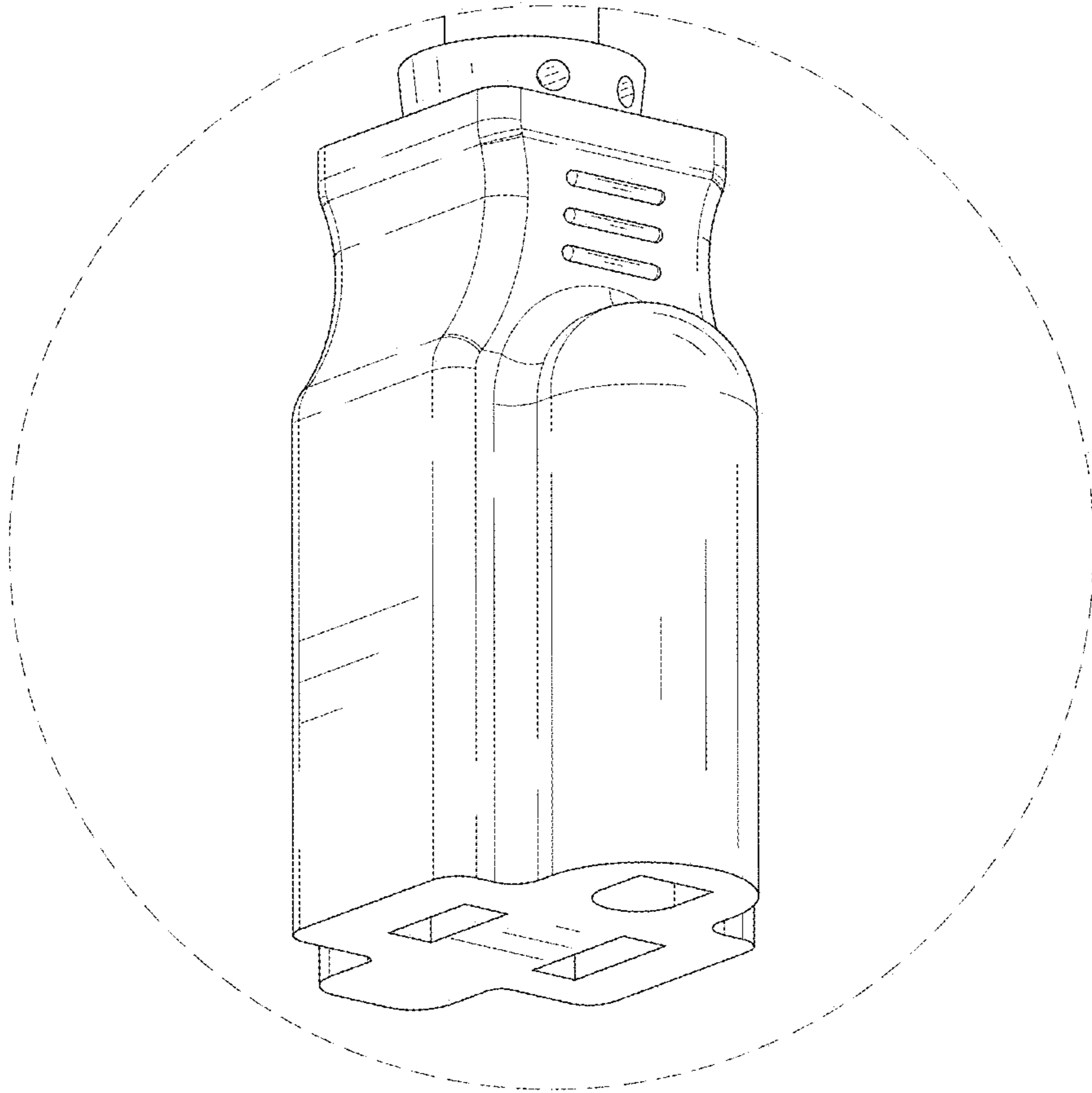


FIG. 13

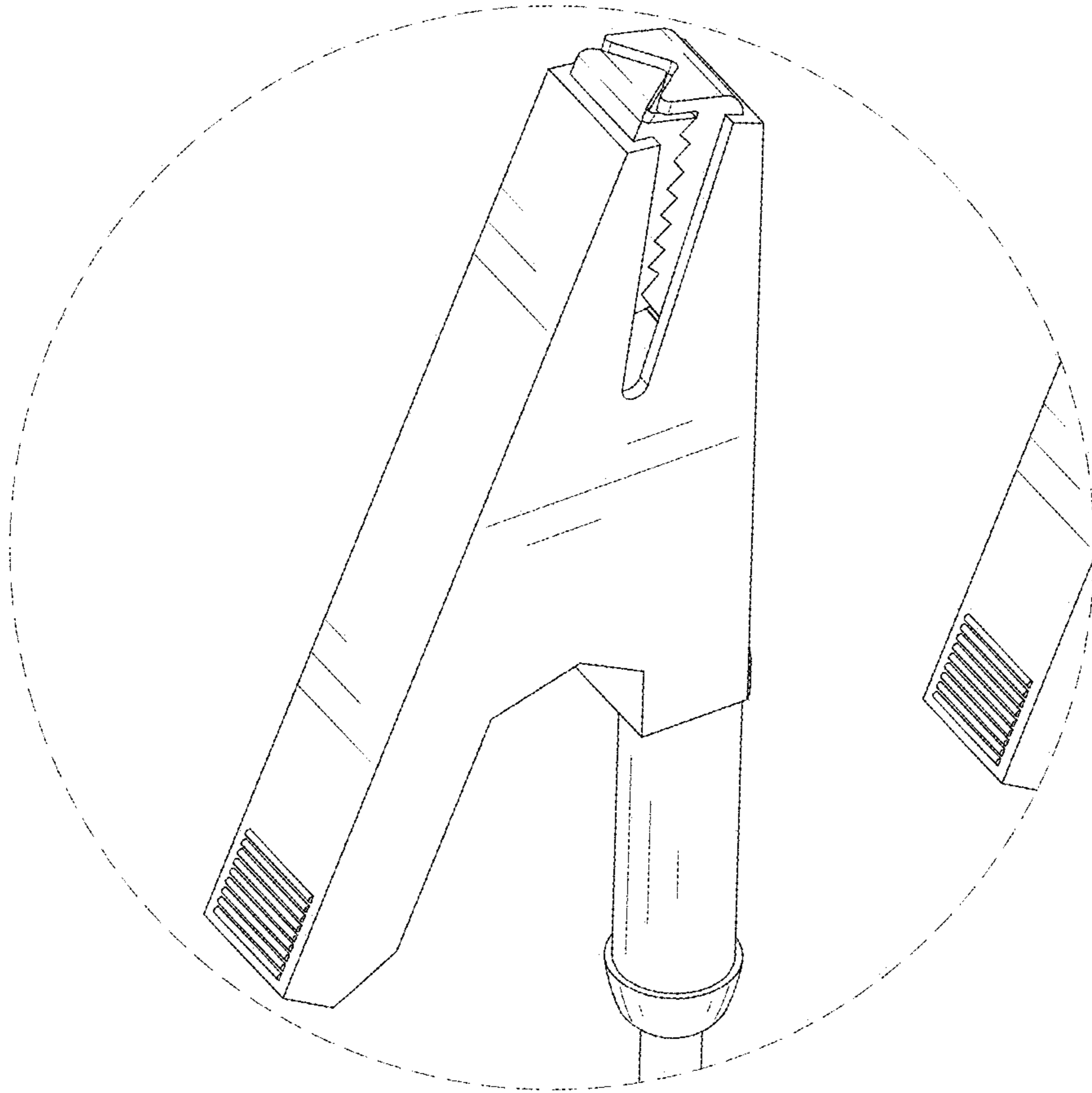


FIG. 14

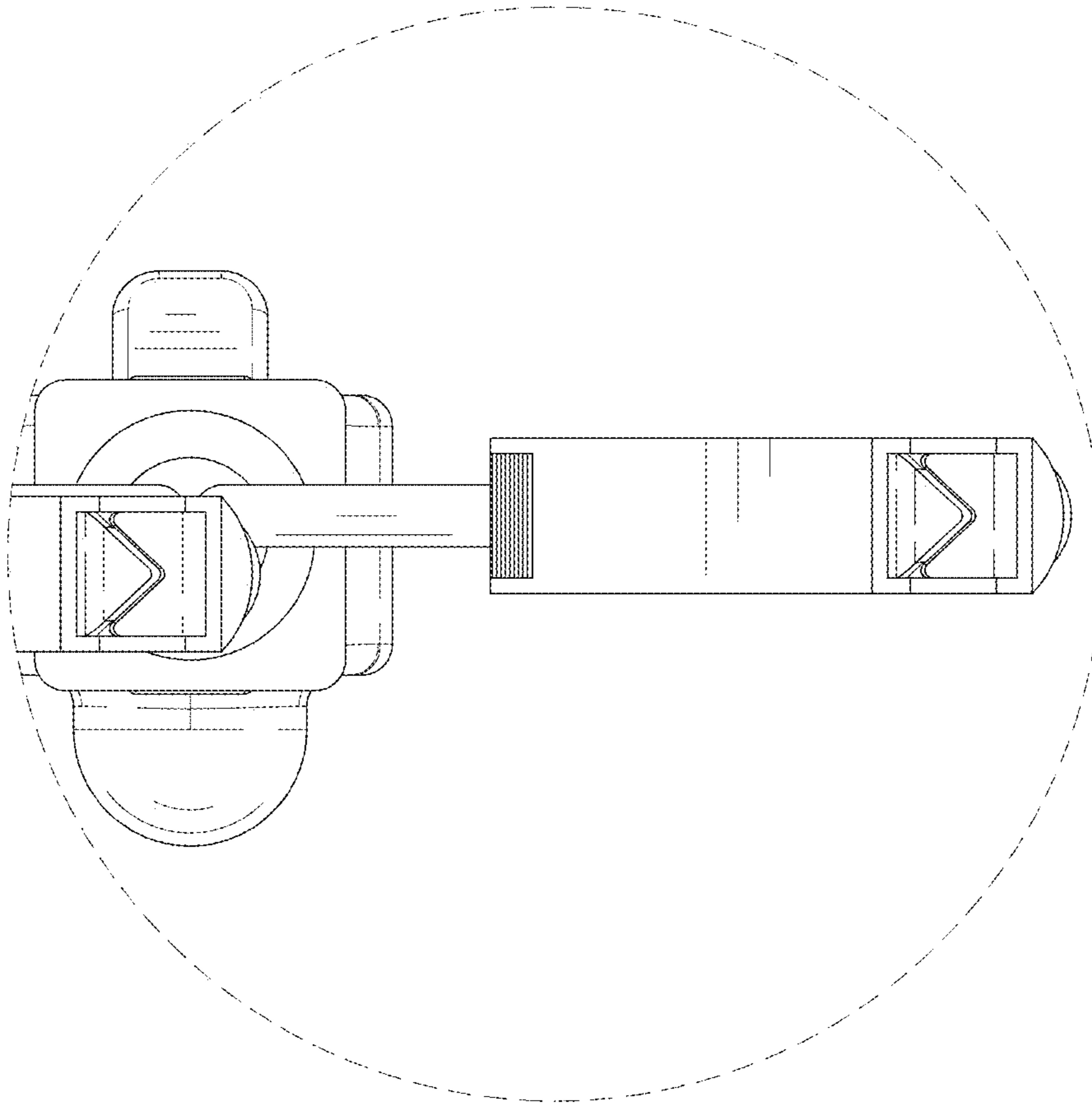


FIG. 15