



US00D985512S

(12) **United States Design Patent**  
**Morishita et al.**

(10) **Patent No.:** **US D985,512 S**

(45) **Date of Patent:** **\*\* May 9, 2023**

(54) **CONNECTOR**

(71) Applicant: **Japan Aviation Electronics Industry, Limited**, Tokyo (JP)

(72) Inventors: **Yukuya Morishita**, Tokyo (JP); **Yusuke Obata**, Tokyo (JP)

(73) Assignee: **JAPAN AVIATION ELECTRONICS INDUSTRY, LIMITED**, Tokyo (JP)

(\*\*) Term: **15 Years**

(21) Appl. No.: **29/802,309**

(22) Filed: **Aug. 4, 2021**

(30) **Foreign Application Priority Data**

Feb. 18, 2021 (JP) ..... 2021-003449 D

(51) **LOC (14) Cl.** ..... **13-03**

(52) **U.S. Cl.**  
USPC ..... **D13/147**

(58) **Field of Classification Search**  
USPC ..... D13/154, 146, 147, 123, 133,  
D13/137.1-139.8, 110, 159, 184, 199,  
D13/112, 101, 113-116, 122, 152, 156,  
D13/151; D8/354, 356  
CPC ..... H01R 13/6271; H01R 13/6272; H01R  
13/6315; H01R 13/631; H01R 13/639;  
H01R 13/641; H01R 13/506; H01R  
13/6581; H01R 43/16; H01R 43/18;  
H01R 13/518; H01R 12/73; H01R 13/20  
See application file for complete search history.

(56) **References Cited**

**U.S. PATENT DOCUMENTS**

D366,454 S \* 1/1996 Eaton ..... D13/147  
5,575,690 A \* 11/1996 Eaton ..... H01R 12/724  
439/717

D415,997 S \* 11/1999 Ono ..... D13/147  
D455,719 S \* 4/2002 Wu ..... D13/147  
D466,481 S \* 12/2002 Wu ..... D13/147  
D518,789 S \* 4/2006 Sakamaki ..... D13/147  
D706,222 S \* 6/2014 Yamaguchi ..... D13/147  
2015/0026376 A1\* 1/2015 Scanlan ..... H01R 13/629  
710/300

**FOREIGN PATENT DOCUMENTS**

KR 301191402.0000 \* 11/2022

\* cited by examiner

*Primary Examiner* — Bridget L Eland

(74) *Attorney, Agent, or Firm* — Manabu Kanesaka

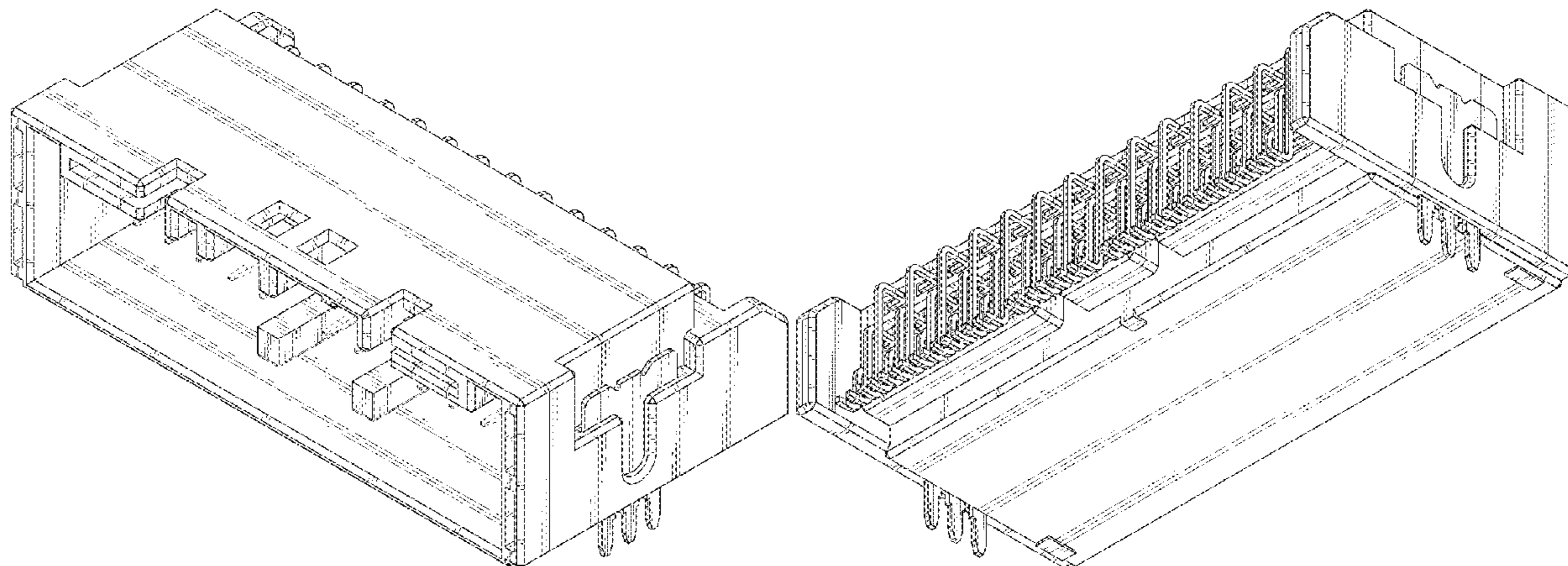
(57) **CLAIM**

The ornamental design for a connector, as shown and described.

**DESCRIPTION**

FIG. 1 is a front elevational view of a connector showing our new design;  
FIG. 2 is a rear elevational view thereof;  
FIG. 3 is a right side elevational view thereof;  
FIG. 4 is a left side elevational view thereof;  
FIG. 5 is a top plan view thereof;  
FIG. 6 is a bottom plan view thereof;  
FIG. 7 is a perspective view showing a front, top and right side thereof;  
FIG. 8 is a perspective view showing a rear, bottom and left side thereof;  
FIG. 9 is a perspective view showing a front, right and bottom side thereof; and,  
FIG. 10 is a perspective view showing a rear, left and top side thereof.  
The broken line showing of the connector is for the purpose of illustrating portions of the article and forms no part of the claimed design.

**1 Claim, 5 Drawing Sheets**



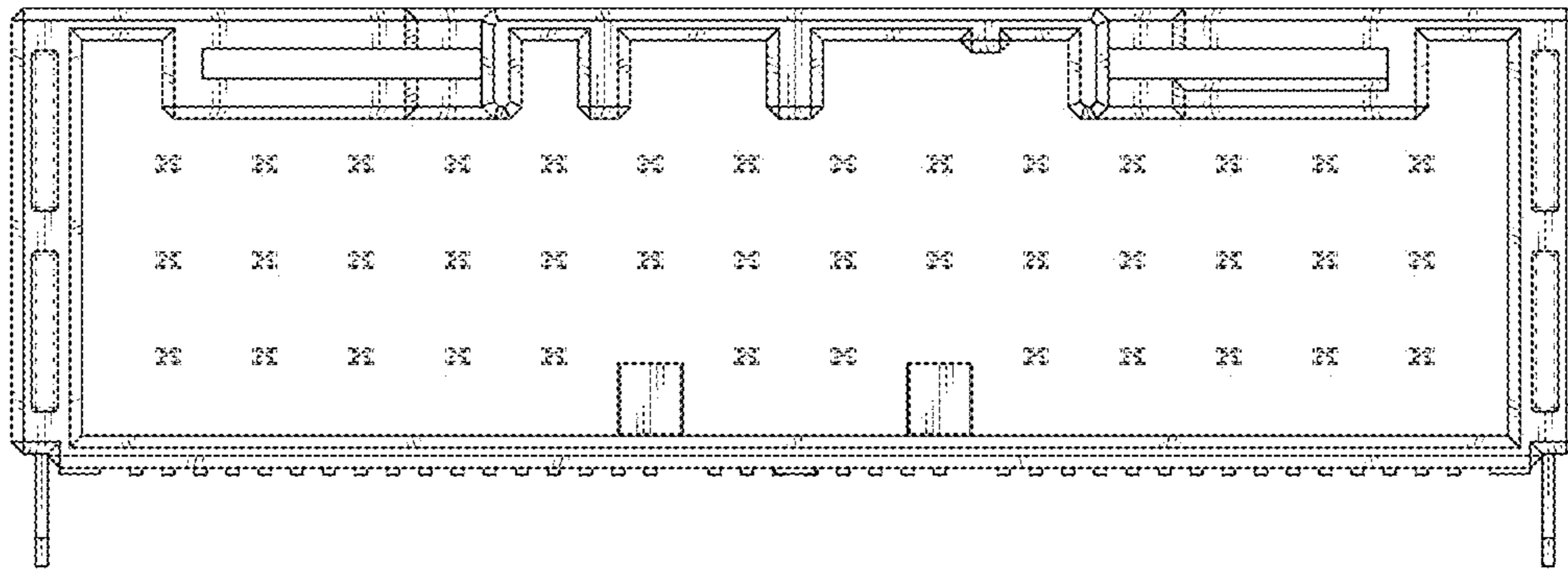


FIG. 1

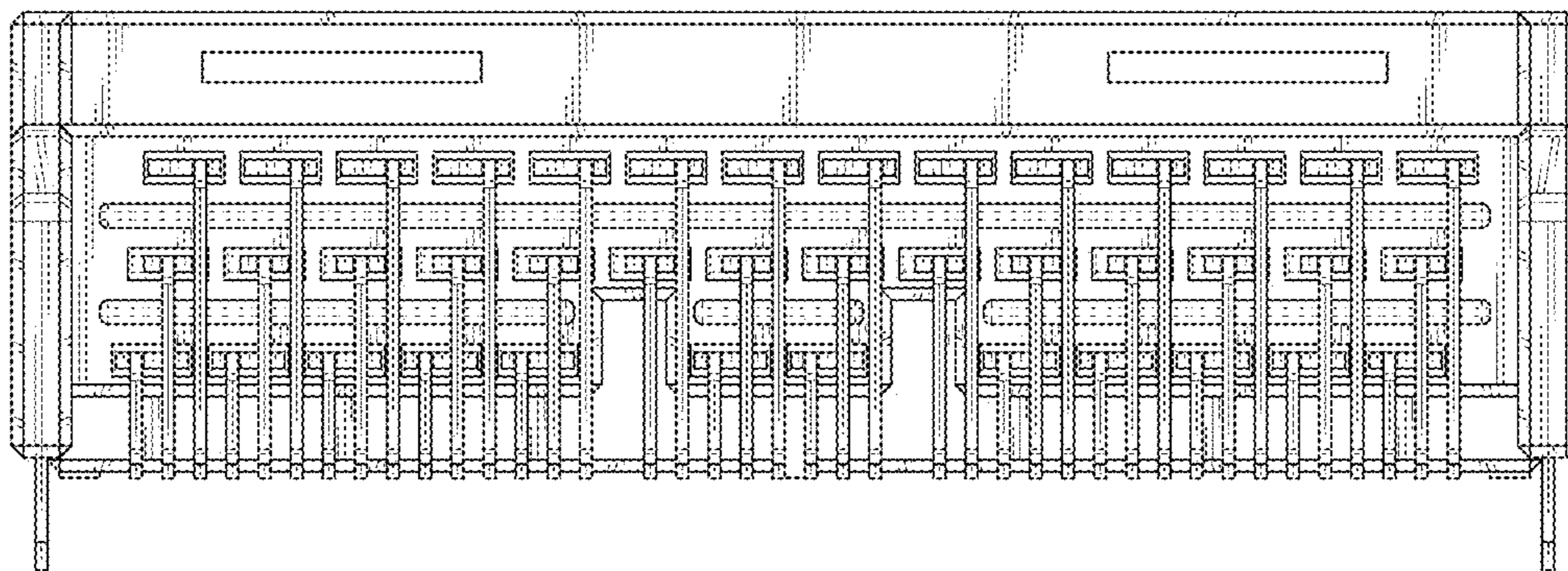


FIG. 2

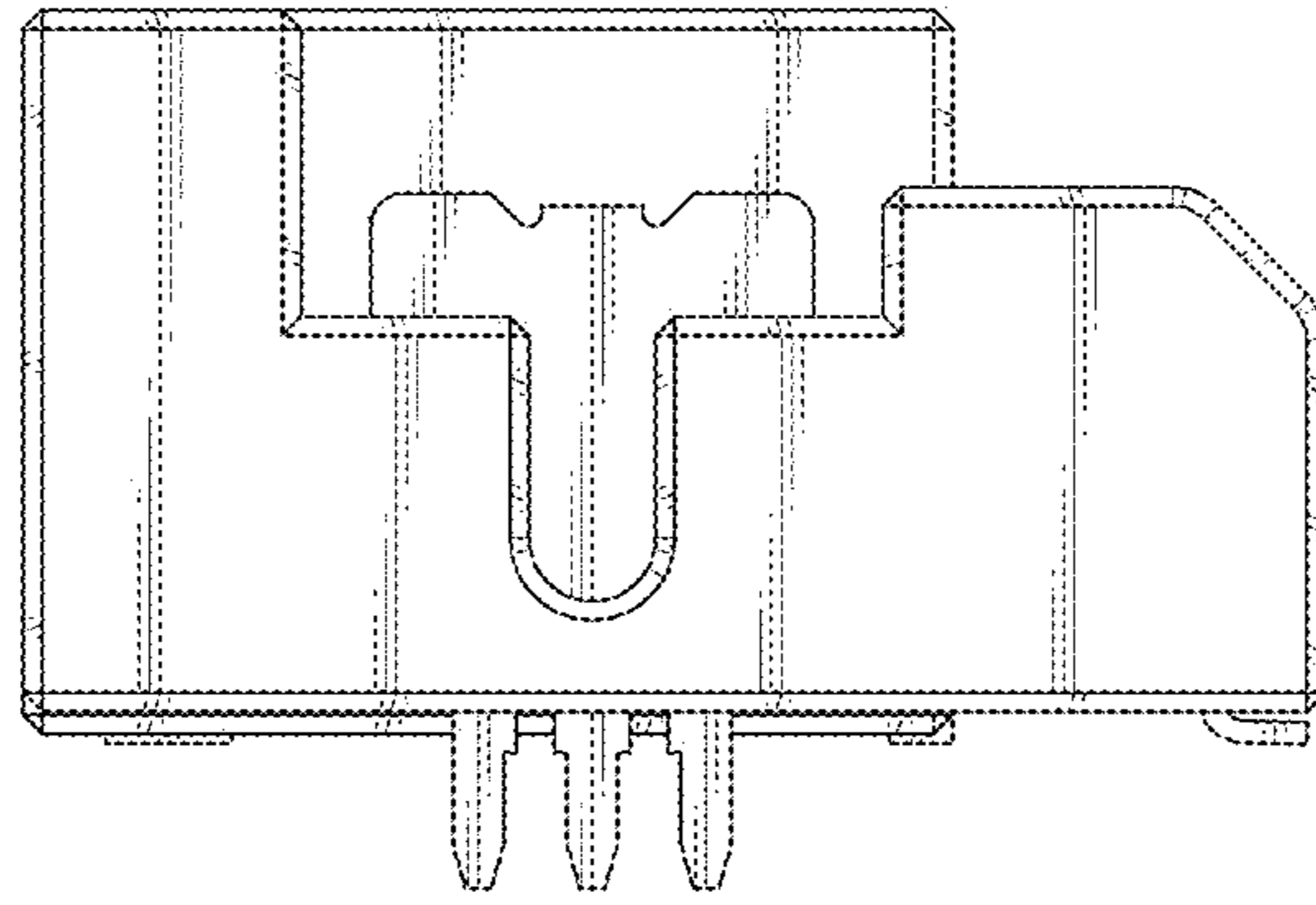


FIG. 3

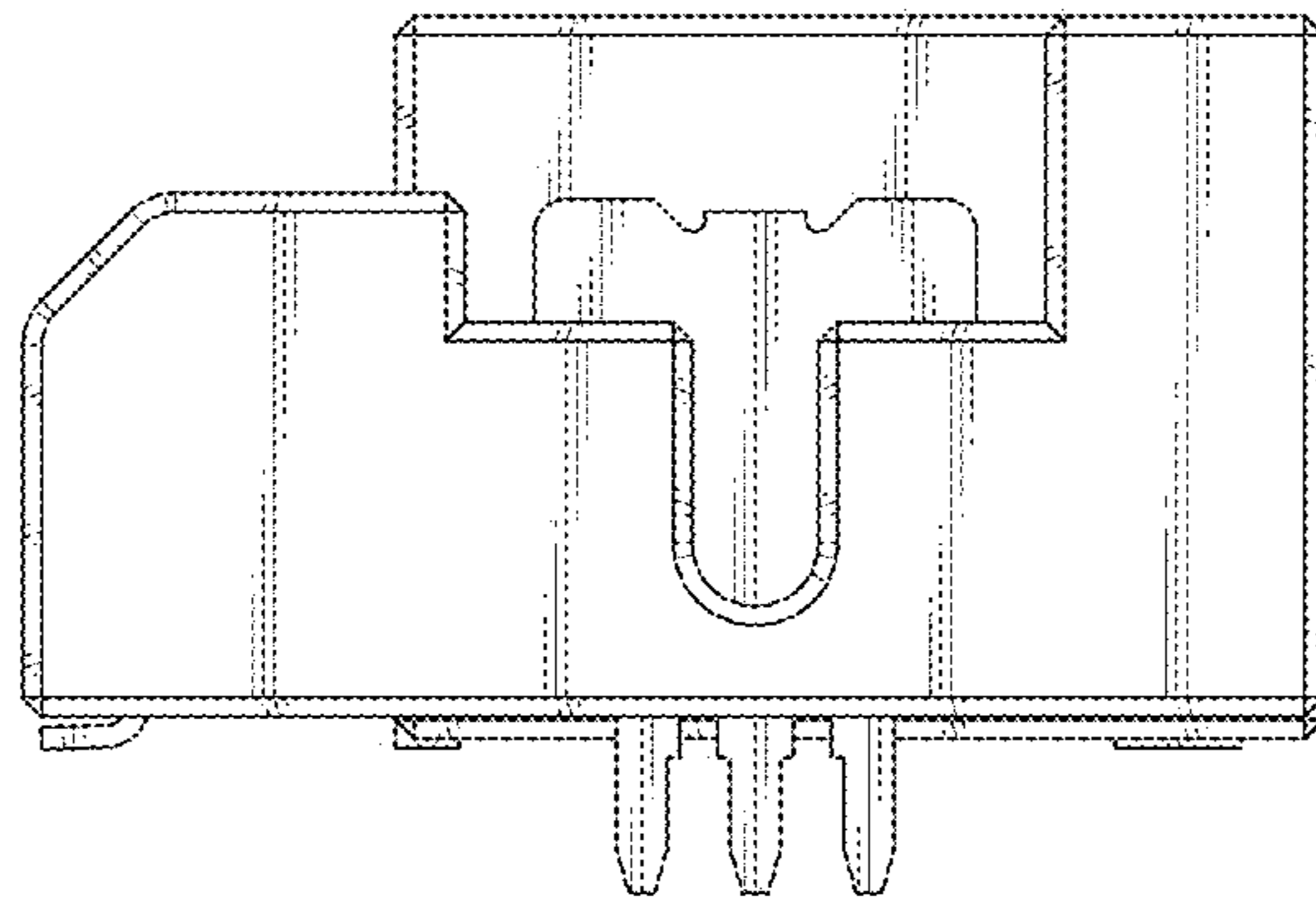


FIG. 4

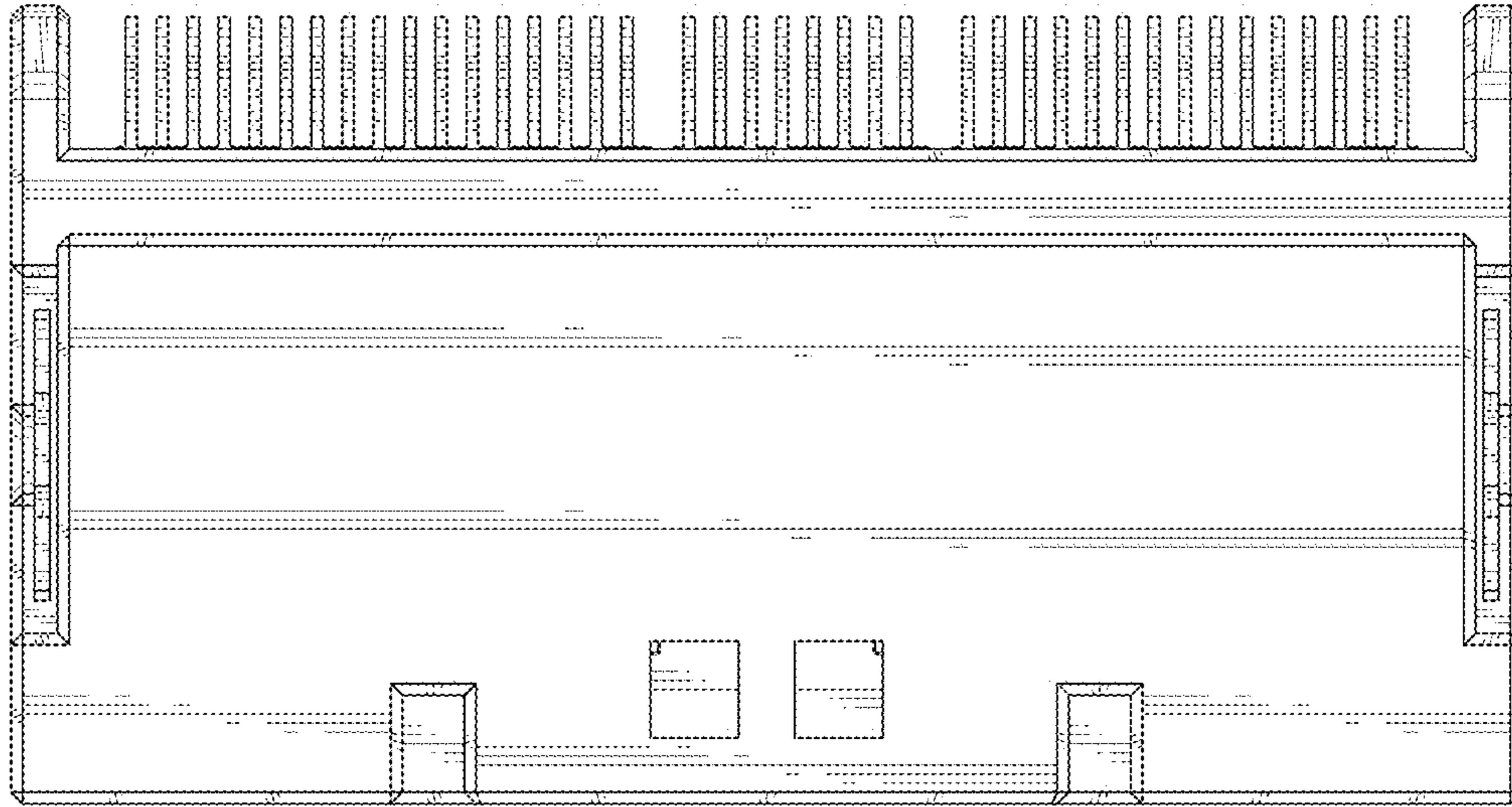


FIG. 5

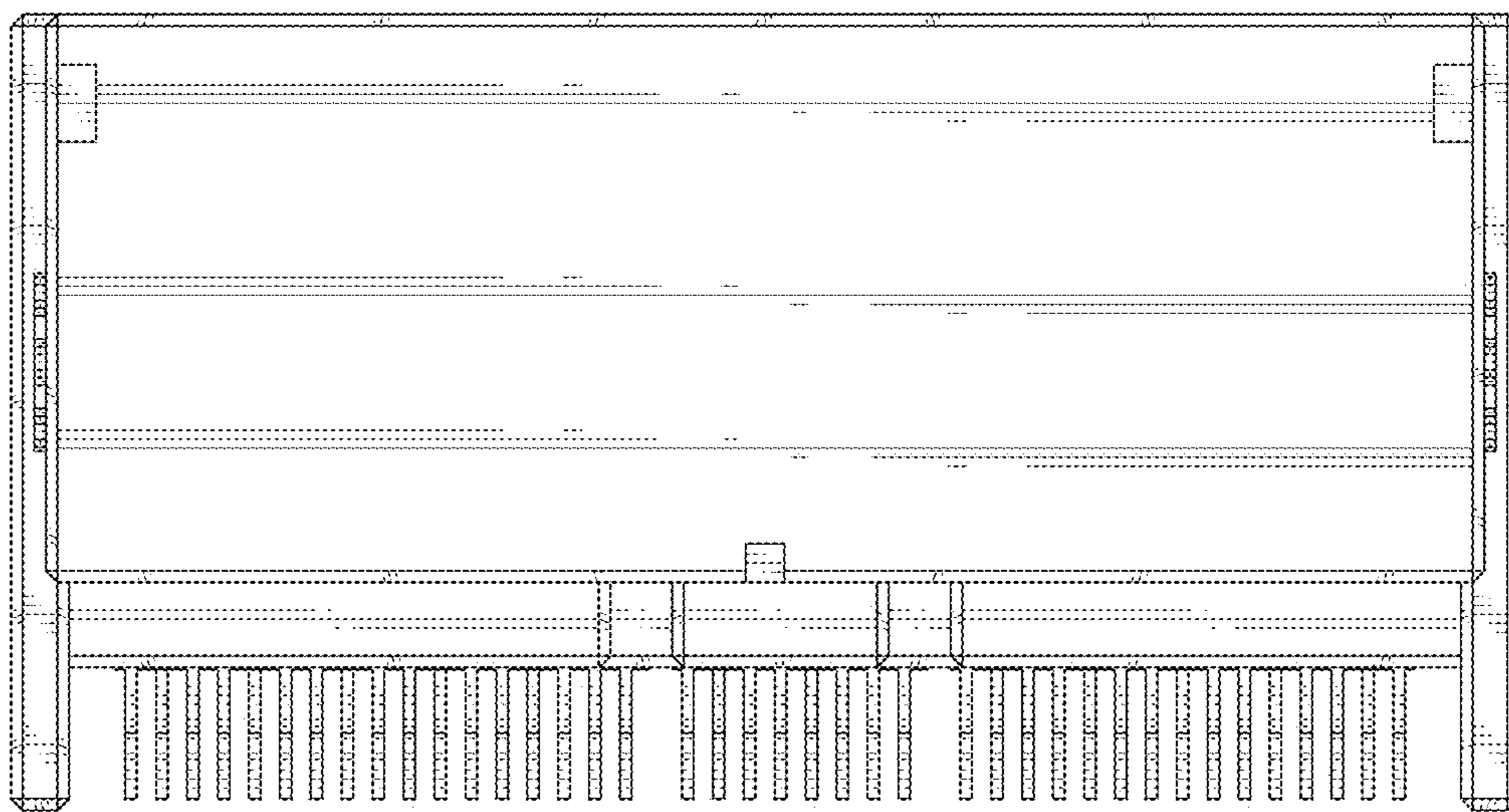


FIG. 6

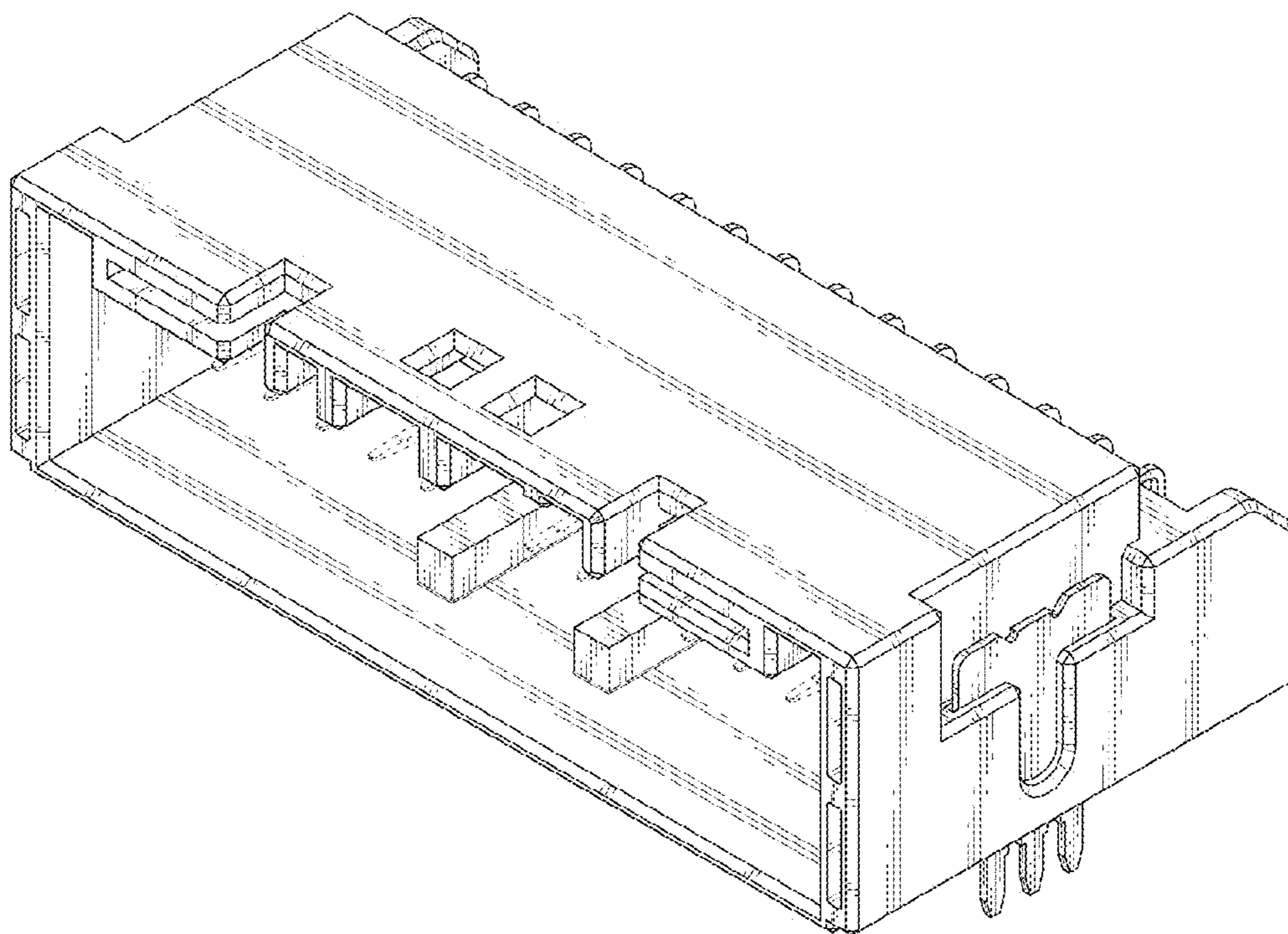


FIG. 7

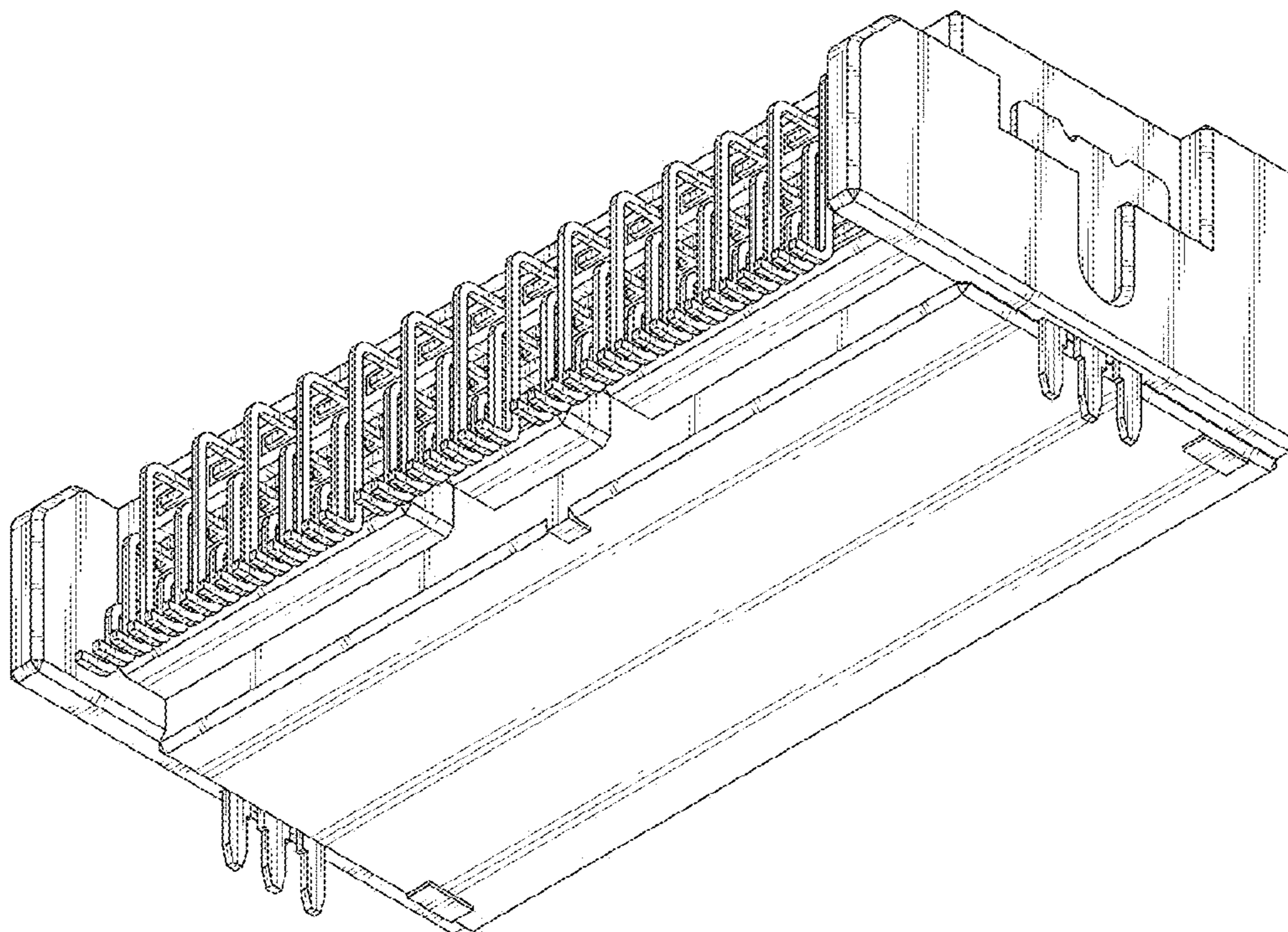


FIG. 8

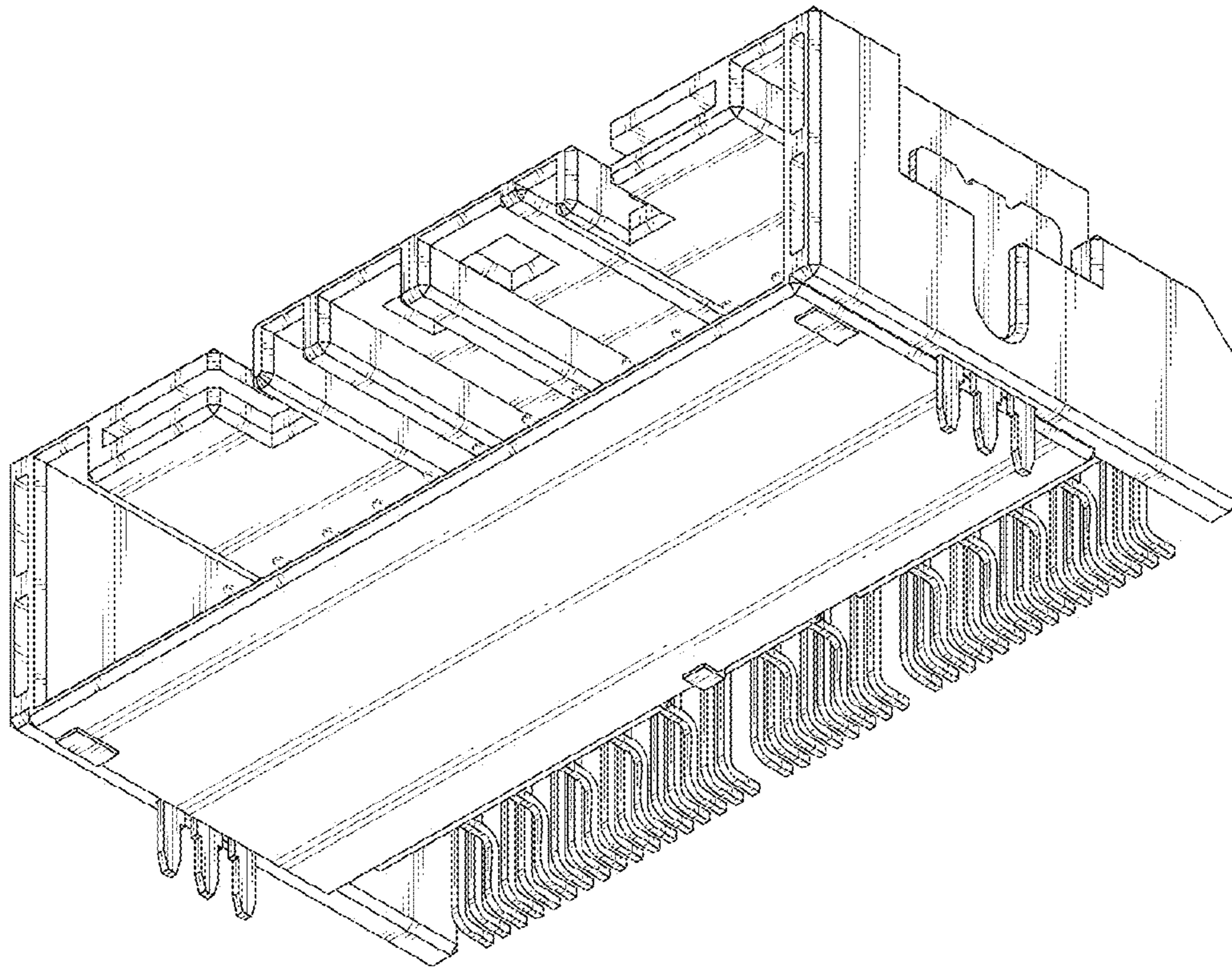


FIG. 9

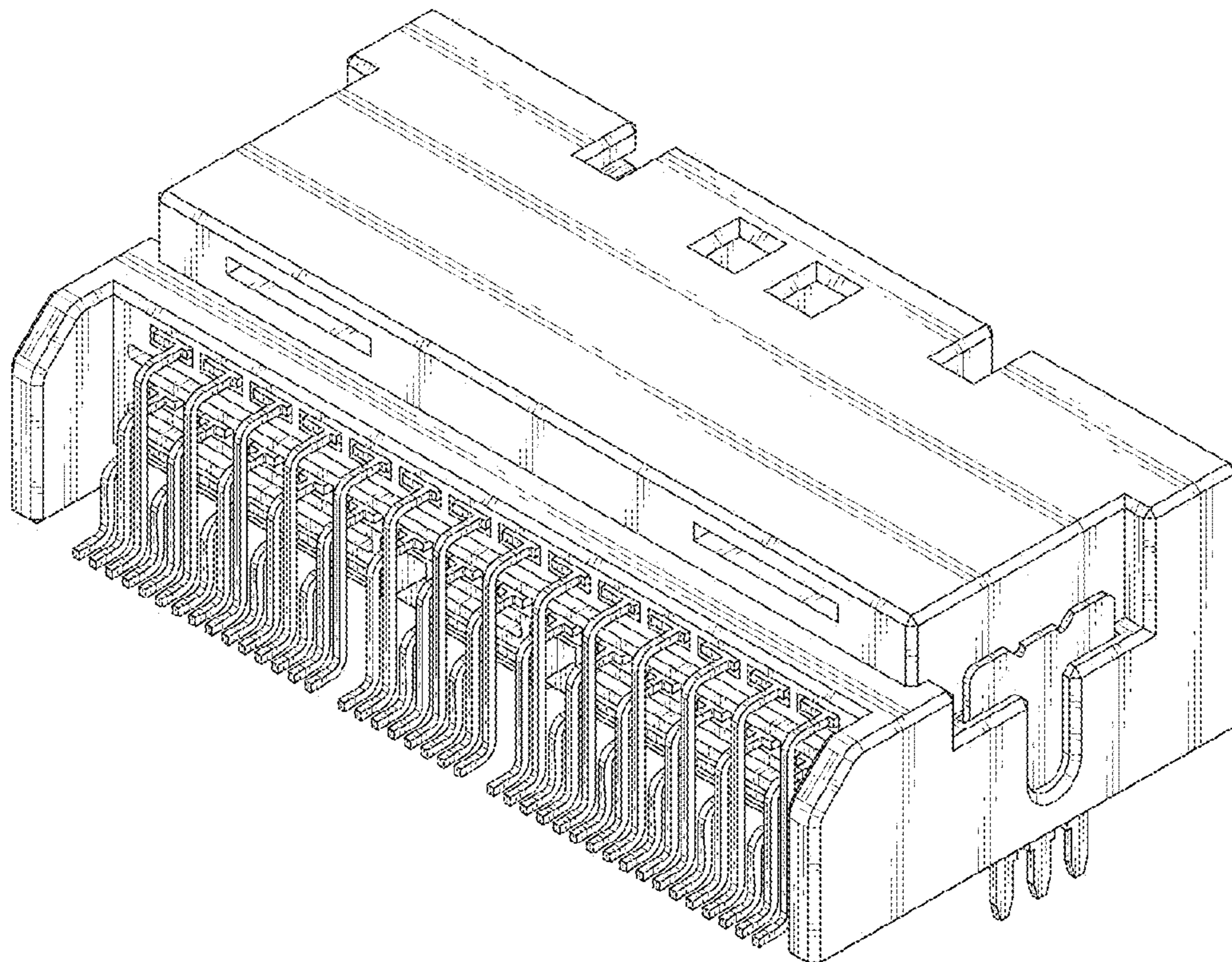


FIG. 10