



US00D985509S

(12) **United States Design Patent**
Yokoyama

(10) **Patent No.:** **US D985,509 S**

(45) **Date of Patent:** **** May 9, 2023**

(54) **CONNECTOR**

(71) Applicant: **Japan Aviation Electronics Industry, Limited**, Tokyo (JP)

(72) Inventor: **Yohei Yokoyama**, Tokyo (JP)

(73) Assignee: **JAPAN AVIATION ELECTRONICS INDUSTRY, LIMITED**, Tokyo (JP)

(**) Term: **15 Years**

(21) Appl. No.: **29/798,963**

(22) Filed: **Jul. 12, 2021**

(30) **Foreign Application Priority Data**

Apr. 16, 2021 (JP) 2021-008075 D

(51) **LOC (14) Cl.** **13-03**

(52) **U.S. Cl.**
USPC **D13/147**

(58) **Field of Classification Search**
USPC D13/154, 146, 147, 123, 133,
D13/137.1–139.8, 110, 159, 184, 199,
D13/112, 101, 113–116, 122, 152, 156,
D13/151; D8/354, 356
CPC H01R 13/6271; H01R 13/6272; H01R
13/6315; H01R 13/631; H01R 13/639;
H01R 13/641; H01R 13/506; H01R
13/6581; H01R 43/16; H01R 43/18;
H01R 13/518; H01R 12/73; H01R 13/20
See application file for complete search history.

(56) **References Cited**

U.S. PATENT DOCUMENTS

D642,986 S *	8/2011	Nishimura	D13/147
D703,146 S *	4/2014	Takenaga	D13/147
D722,564 S *	2/2015	Yoshida	D13/147
D723,471 S *	3/2015	Miyazaki	D13/147
D737,213 S *	8/2015	Yoshioka	D13/147
D743,905 S *	11/2015	Kobuchi	D13/147

D748,583 S *	2/2016	Kobuchi	D13/147
D767,499 S *	9/2016	Goto	D13/147
D885,347 S *	5/2020	Ishida	D13/147
D908,635 S *	1/2021	Takenaga	D13/147
D908,636 S *	1/2021	Takenaga	D13/147
D922,959 S *	6/2021	Oosaka	D13/147
D923,580 S *	6/2021	Oosaka	D13/147
D923,581 S *	6/2021	Oosaka	D13/147

(Continued)

FOREIGN PATENT DOCUMENTS

KR	301136796.0000	*	11/2021
KR	301156783.0000	*	3/2022

Primary Examiner — Bridget L Eland

(74) *Attorney, Agent, or Firm* — Manabu Kanosaka

(57) **CLAIM**

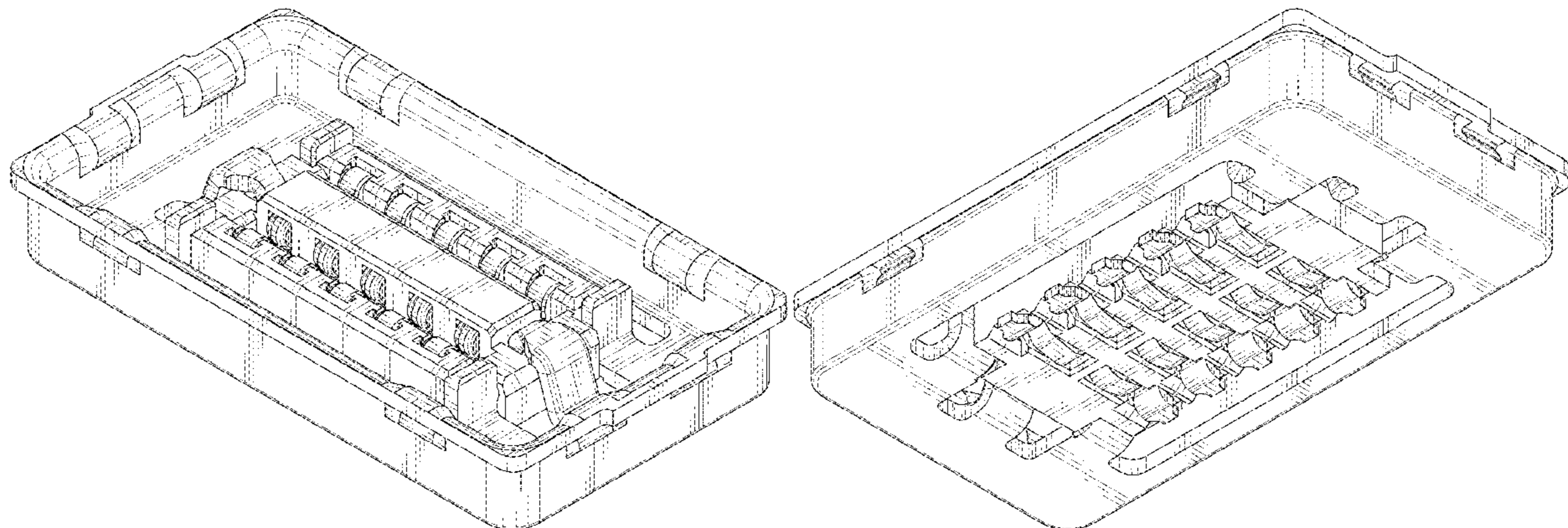
The ornamental design for a connector, as shown and described.

DESCRIPTION

FIG. 1 is a front elevational view of a connector showing my new design;
 FIG. 2 is a rear elevational view thereof;
 FIG. 3 is a right side elevational view thereof;
 FIG. 4 is a left side elevational view thereof;
 FIG. 5 is a top plan view thereof;
 FIG. 6 is a bottom plan view thereof;
 FIG. 7 is a perspective view showing a front, top and right side thereof;
 FIG. 8 is a perspective view showing a rear, bottom and left side thereof;
 FIG. 9 is a perspective view showing a front, right and bottom side thereof; and,
 FIG. 10 is a perspective view showing a rear, left and top side thereof.

The broken line showing of the connector is for the purpose of illustrating portions of the article and forms no part of the claimed design.

1 Claim, 5 Drawing Sheets



(56)

References Cited

U.S. PATENT DOCUMENTS

D923,582 S * 6/2021 Oosaka D13/147
D933,613 S * 10/2021 Takenaga D13/147
D941,245 S * 1/2022 Kim D13/133
D952,565 S * 5/2022 Oosaka D13/133
D953,991 S * 6/2022 Oosaka D13/133
2021/0005990 A1 * 1/2021 Zhang H01R 12/716
2021/0359456 A1 * 11/2021 Oosaka H01R 13/506
2021/0359459 A1 * 11/2021 Oosaka H01R 13/502
2021/0359471 A1 * 11/2021 Oosaka H01R 12/73
2022/0368046 A1 * 11/2022 Oosaka H01R 13/504
2022/0368063 A1 * 11/2022 Oosaka H01R 13/6581

* cited by examiner

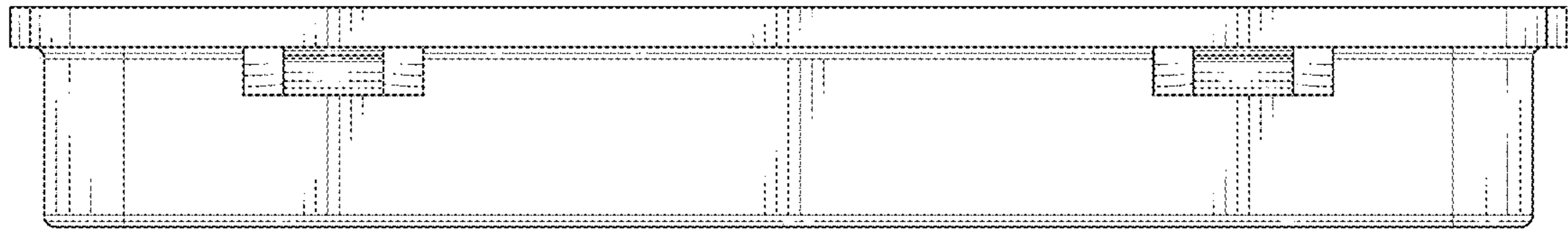


FIG. 1

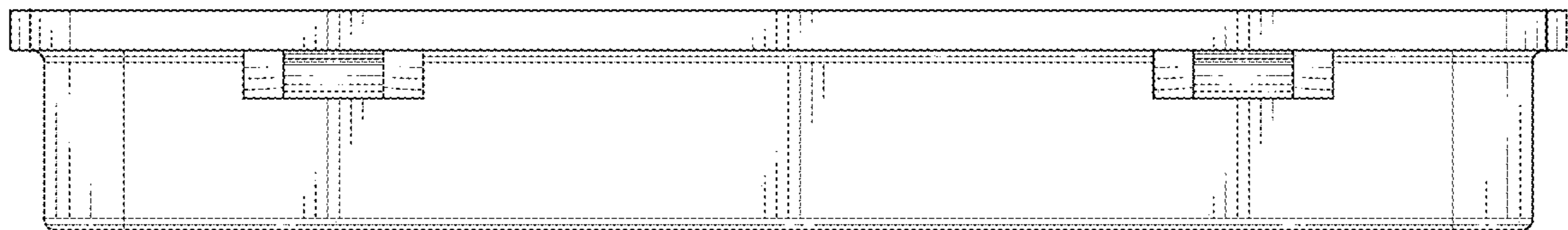


FIG. 2

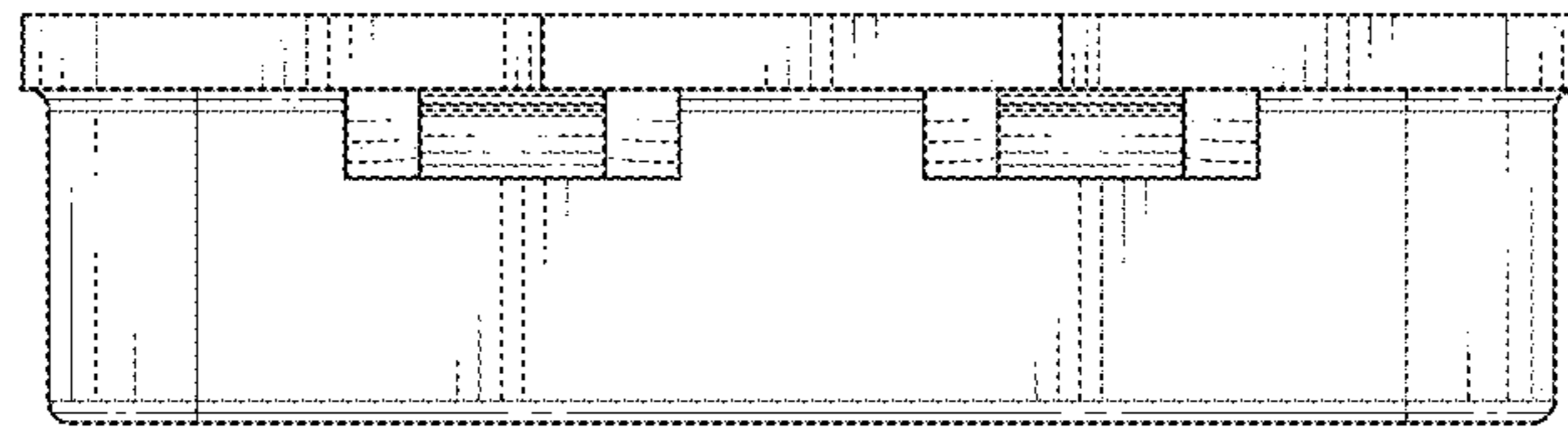


FIG. 3

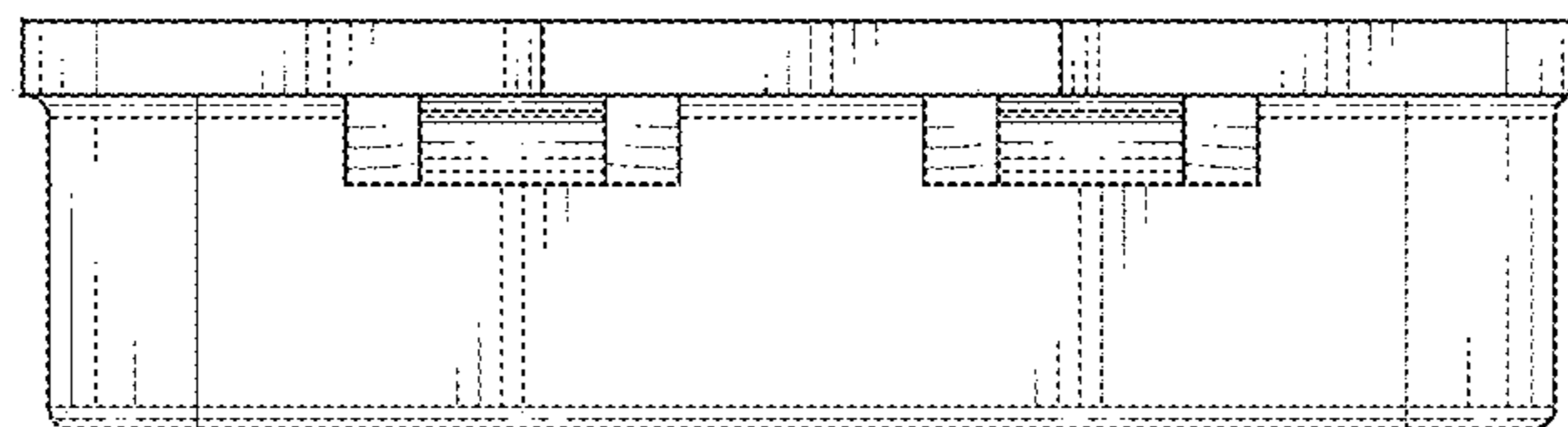


FIG. 4

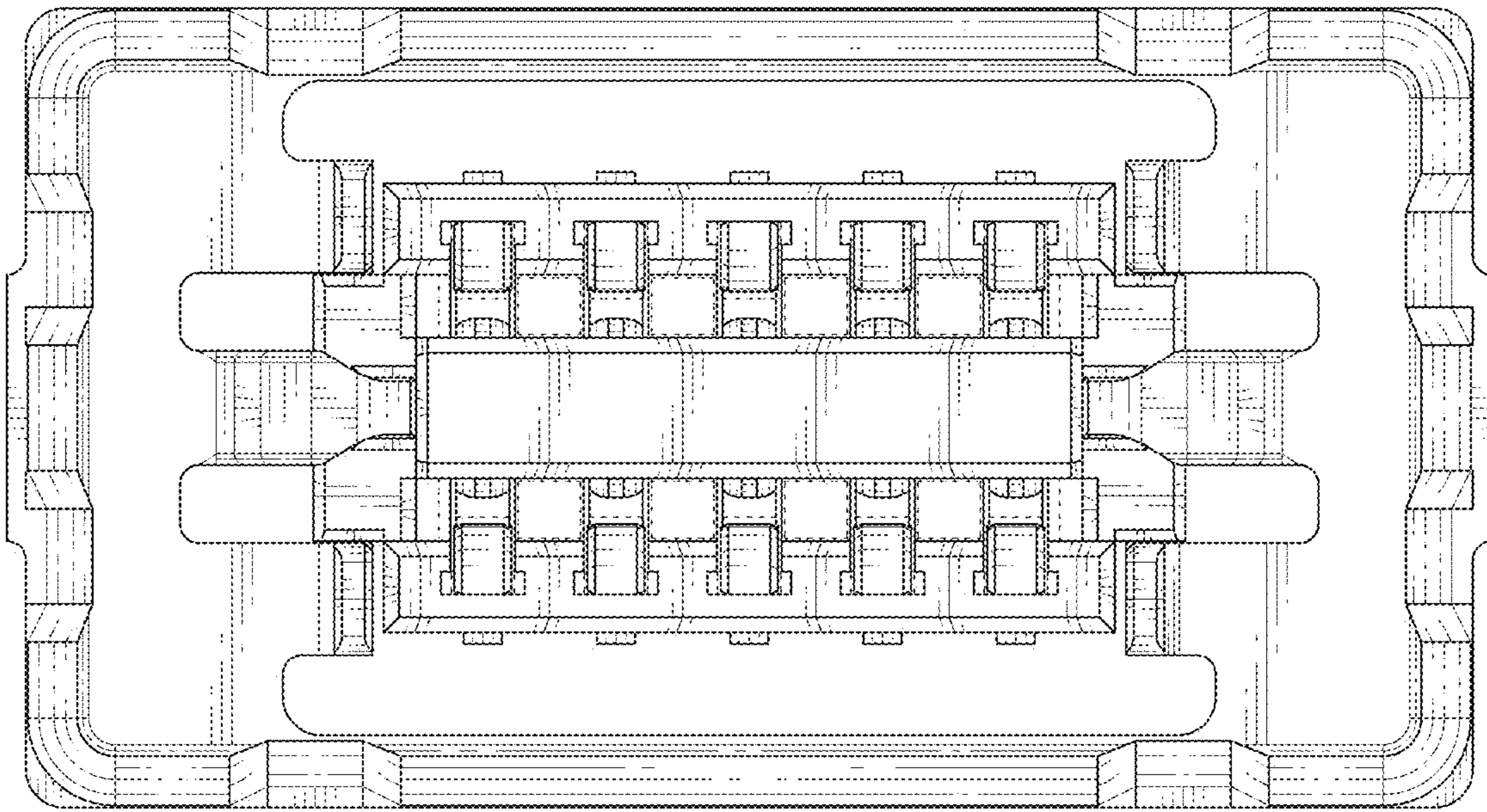


FIG. 5

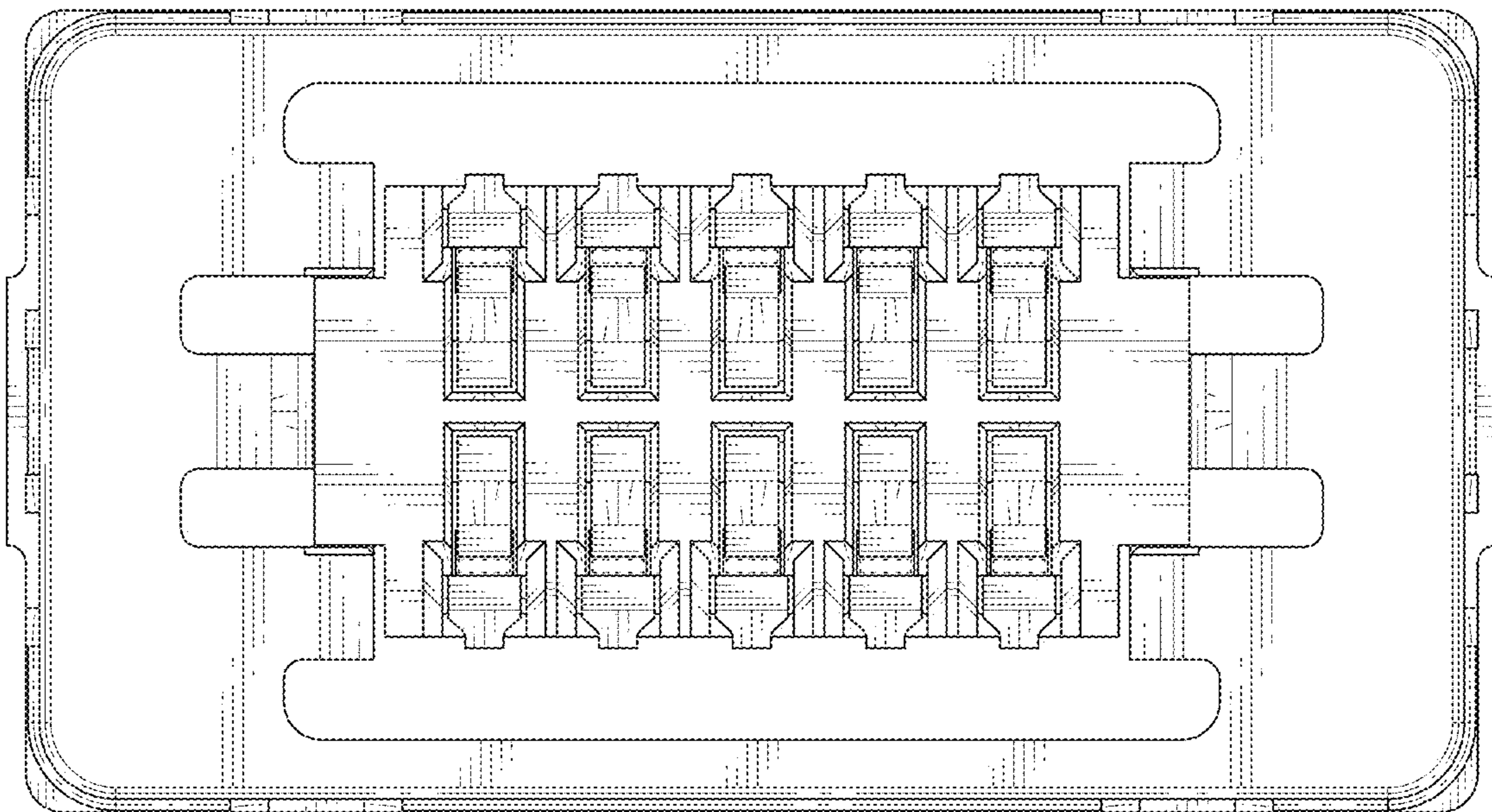


FIG. 6

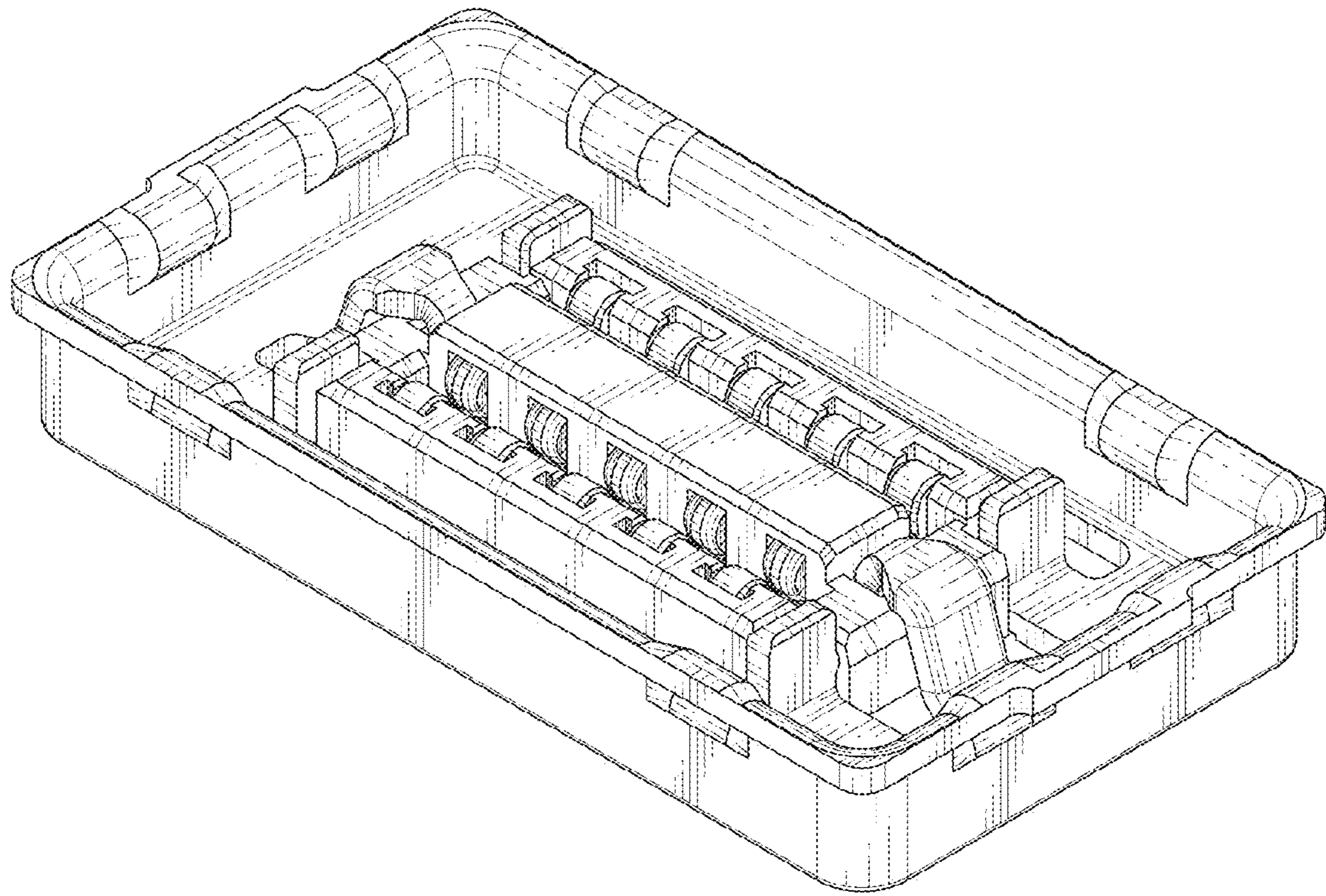


FIG. 7

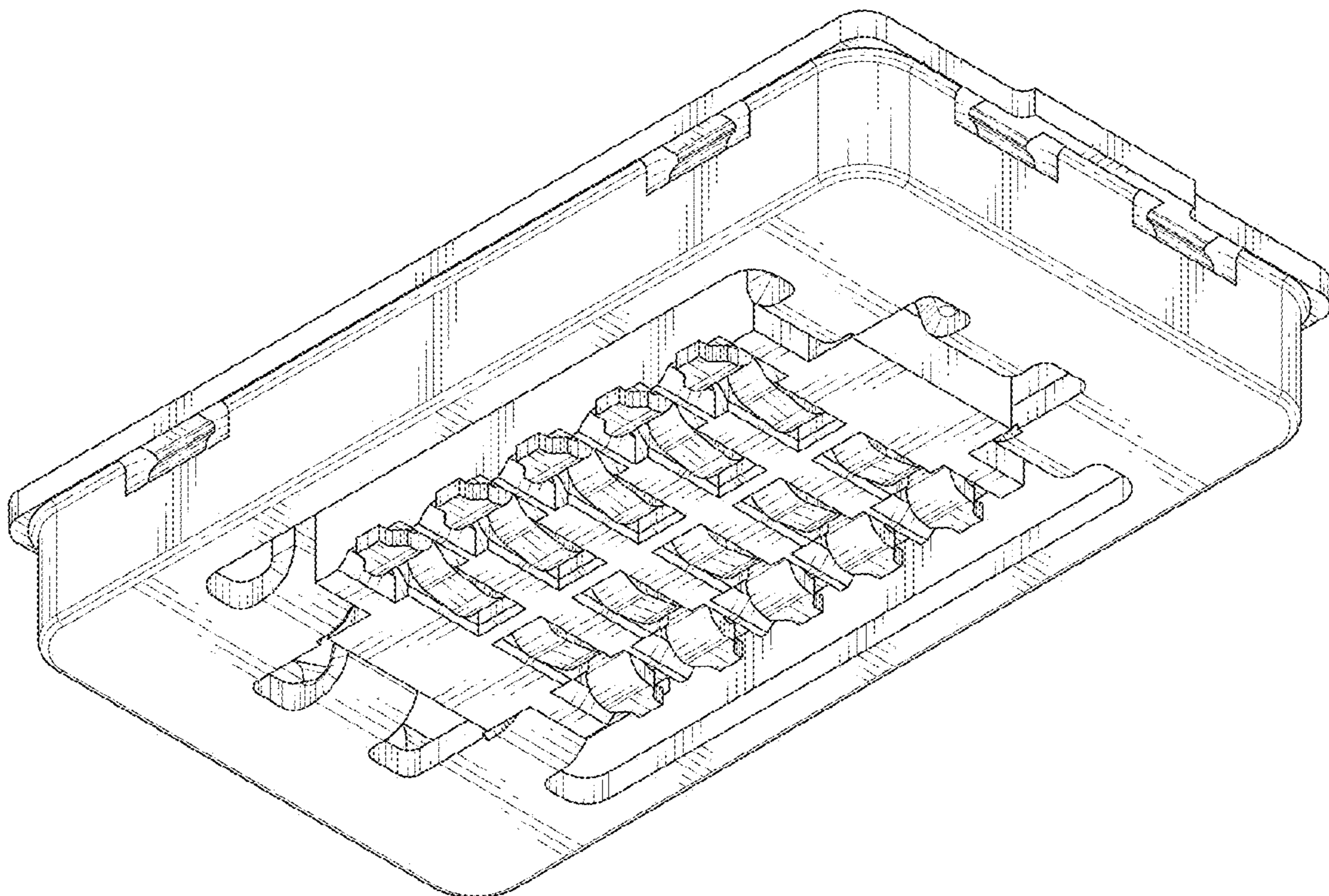


FIG. 8

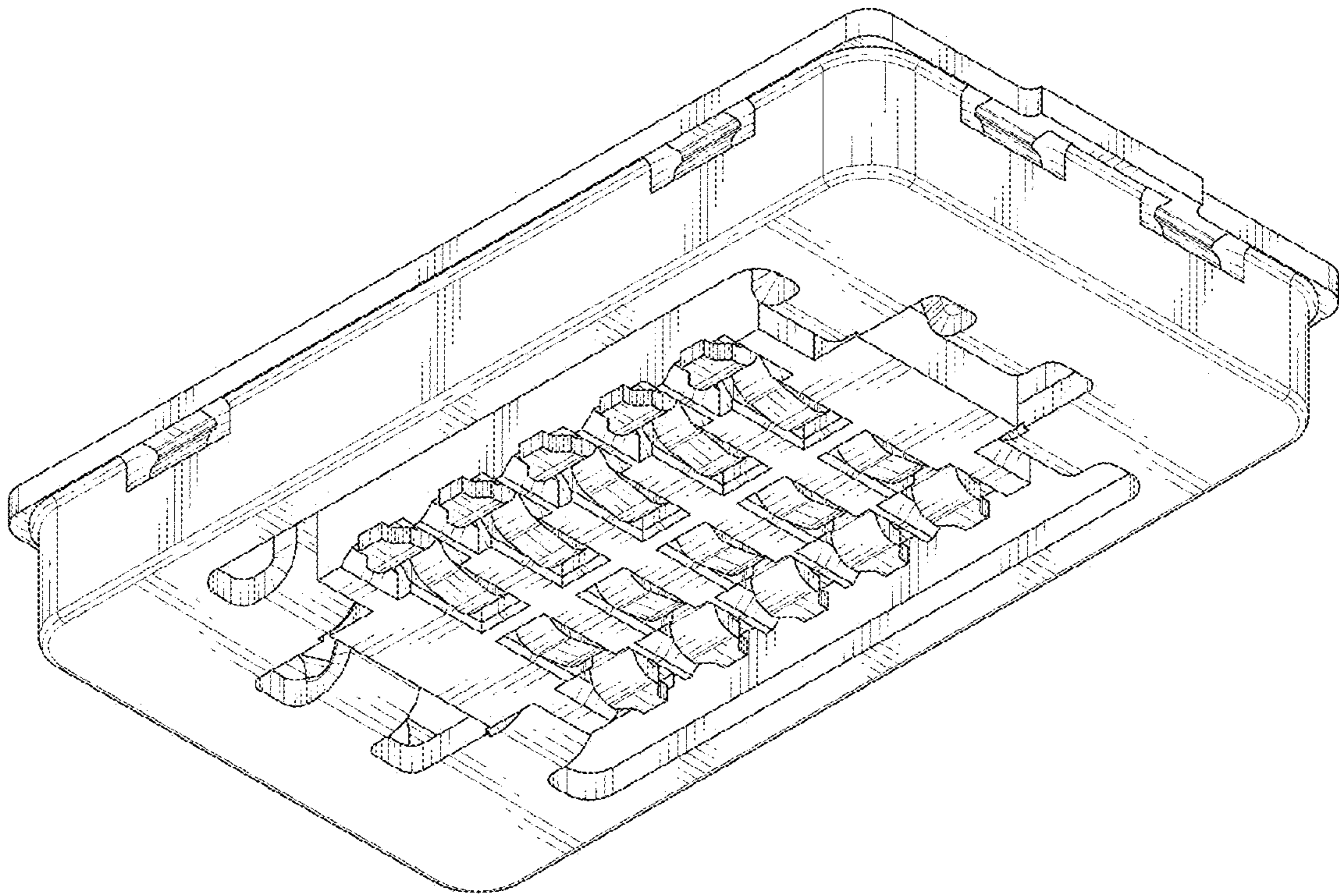


FIG. 9

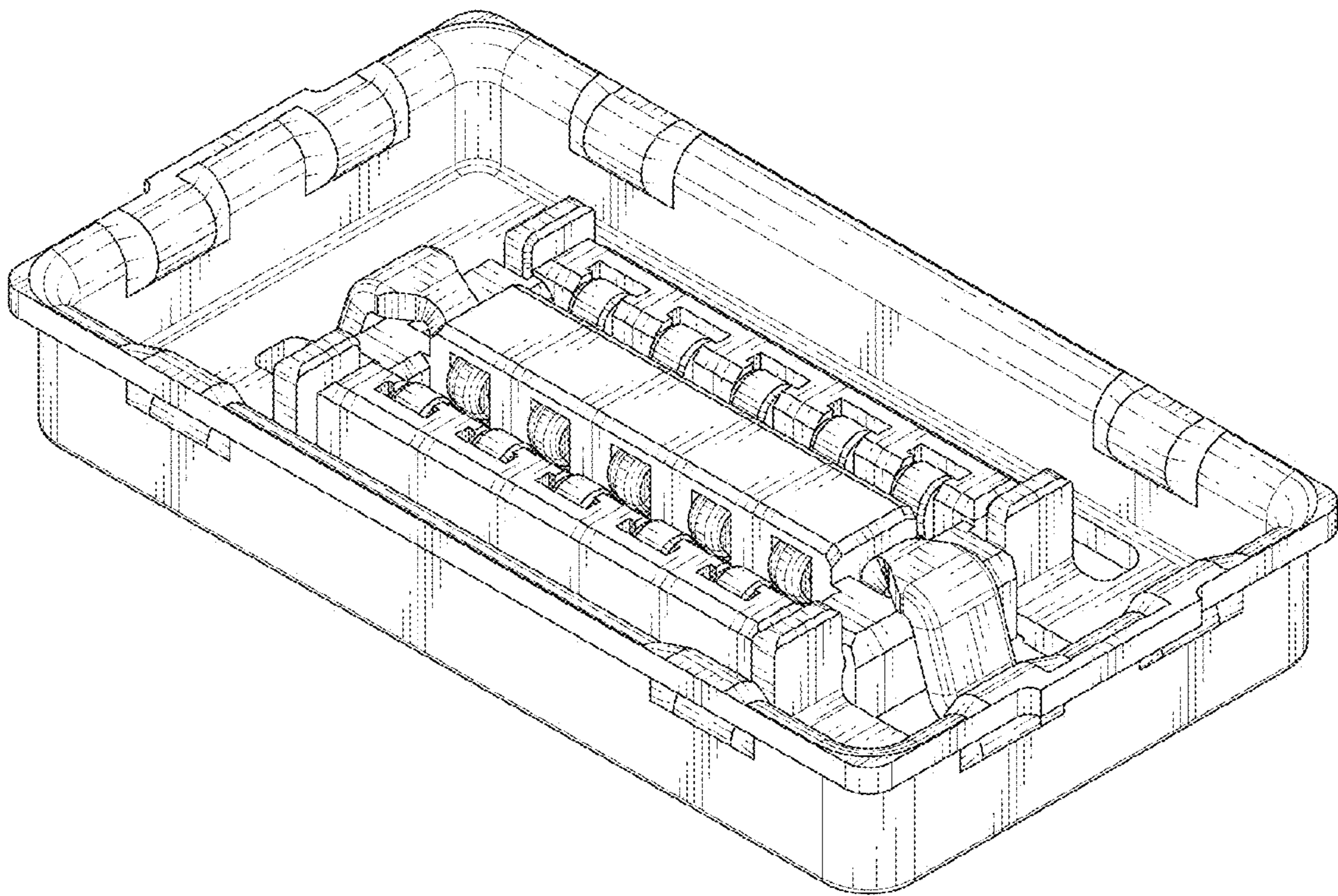


FIG. 10