



US00D985507S

(12) **United States Design Patent**
Tada et al.

(10) **Patent No.:** **US D985,507 S**

(45) **Date of Patent:** **** May 9, 2023**

(54) **CONNECTOR**

(71) Applicant: **Japan Aviation Electronics Industry, Limited**, Tokyo (JP)

(72) Inventors: **Takashi Tada**, Tokyo (JP); **Yusuke Obata**, Tokyo (JP)

(73) Assignee: **JAPAN AVIATION ELECTRONICS INDUSTRY, LIMITED**, Tokyo (JP)

(**) Term: **15 Years**

(21) Appl. No.: **29/787,467**

(22) Filed: **Jun. 7, 2021**

(30) **Foreign Application Priority Data**

Mar. 2, 2021 (JP) 2021-004325 D

(51) **LOC (14) Cl.** **13-03**

(52) **U.S. Cl.**
USPC **D13/147**

(58) **Field of Classification Search**

USPC D13/154, 146, 147, 123, 133,
D13/137.1-139.8, 110, 159, 184, 199,
D13/112, 101, 113-116, 122, 152, 156,
D13/151; D8/354, 356

CPC H01R 13/6271; H01R 13/6272; H01R
13/6315; H01R 13/631; H01R 13/639;
H01R 13/641; H01R 13/506

See application file for complete search history.

(56) **References Cited**

U.S. PATENT DOCUMENTS

D311,379 S * 10/1990 Kuzuno D13/147
D527,347 S * 8/2006 Shang Yen D13/147

D841,587 S * 2/2019 Terajima D13/133
D870,673 S * 12/2019 Obata D13/147
D894,836 S * 9/2020 Obata D13/133
D911,976 S * 3/2021 Obata D13/147
D921,591 S * 6/2021 Obata D13/147
D933,609 S * 10/2021 Obata D13/133
D963,588 S * 9/2022 Seki D13/133
2021/0234305 A1 * 7/2021 Obata H01R 13/6271

* cited by examiner

Primary Examiner — Bridget L Eland

(74) *Attorney, Agent, or Firm* — Manabu Kanesaka

(57) **CLAIM**

The ornamental design for a connector, as shown and described.

DESCRIPTION

FIG. 1 is a front elevational view of a connector showing our new design;

FIG. 2 is a rear elevational view thereof;

FIG. 3 is a right side elevational view thereof;

FIG. 4 is a left side elevational view thereof;

FIG. 5 is a top plan view thereof;

FIG. 6 is a bottom plan view thereof;

FIG. 7 is a perspective view showing a front, top and right side thereof;

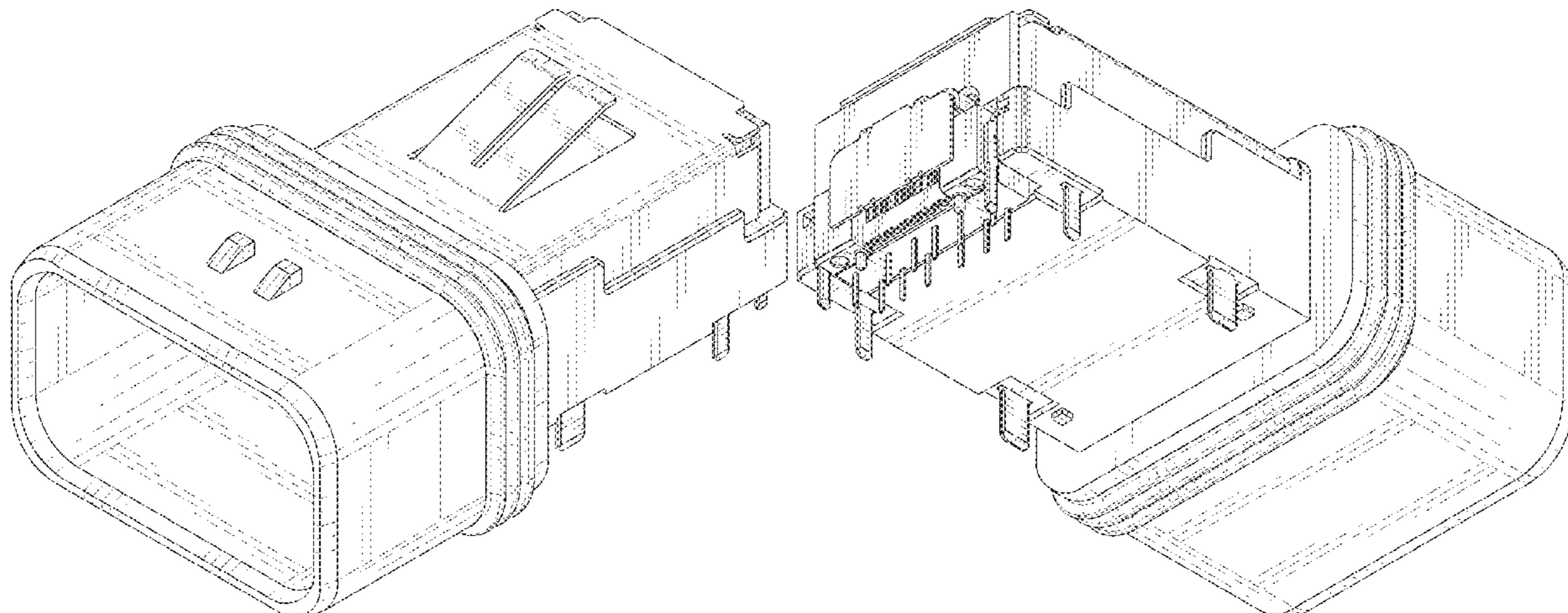
FIG. 8 is a perspective view showing a rear, bottom and left side thereof;

FIG. 9 is a perspective view showing a front, right and bottom side thereof; and,

FIG. 10 is a perspective view showing a rear, left and top side thereof.

The broken line showing of the connector is for the purpose of illustrating portions of the article and forms no part of the claimed design.

1 Claim, 5 Drawing Sheets



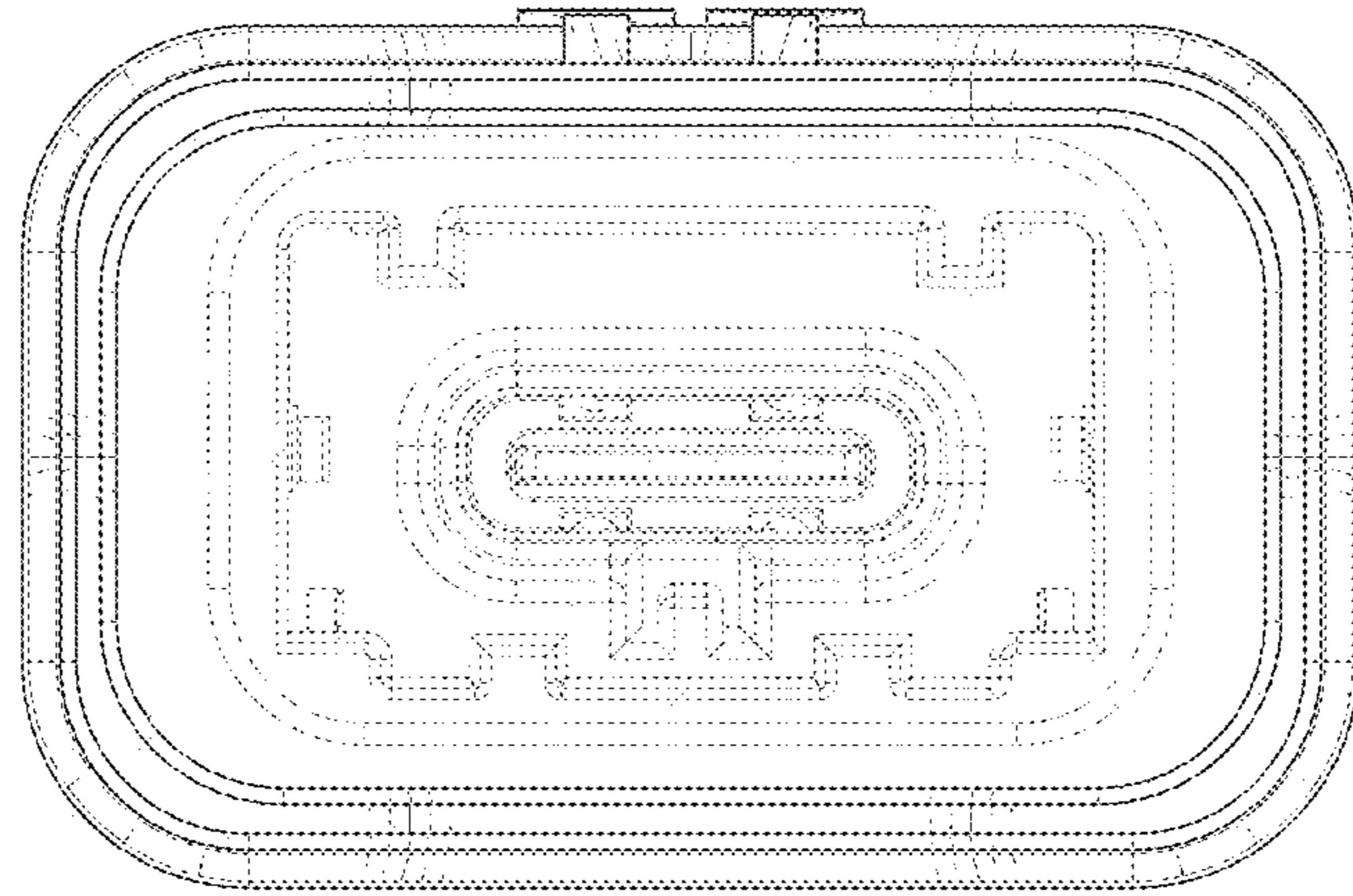


FIG. 1

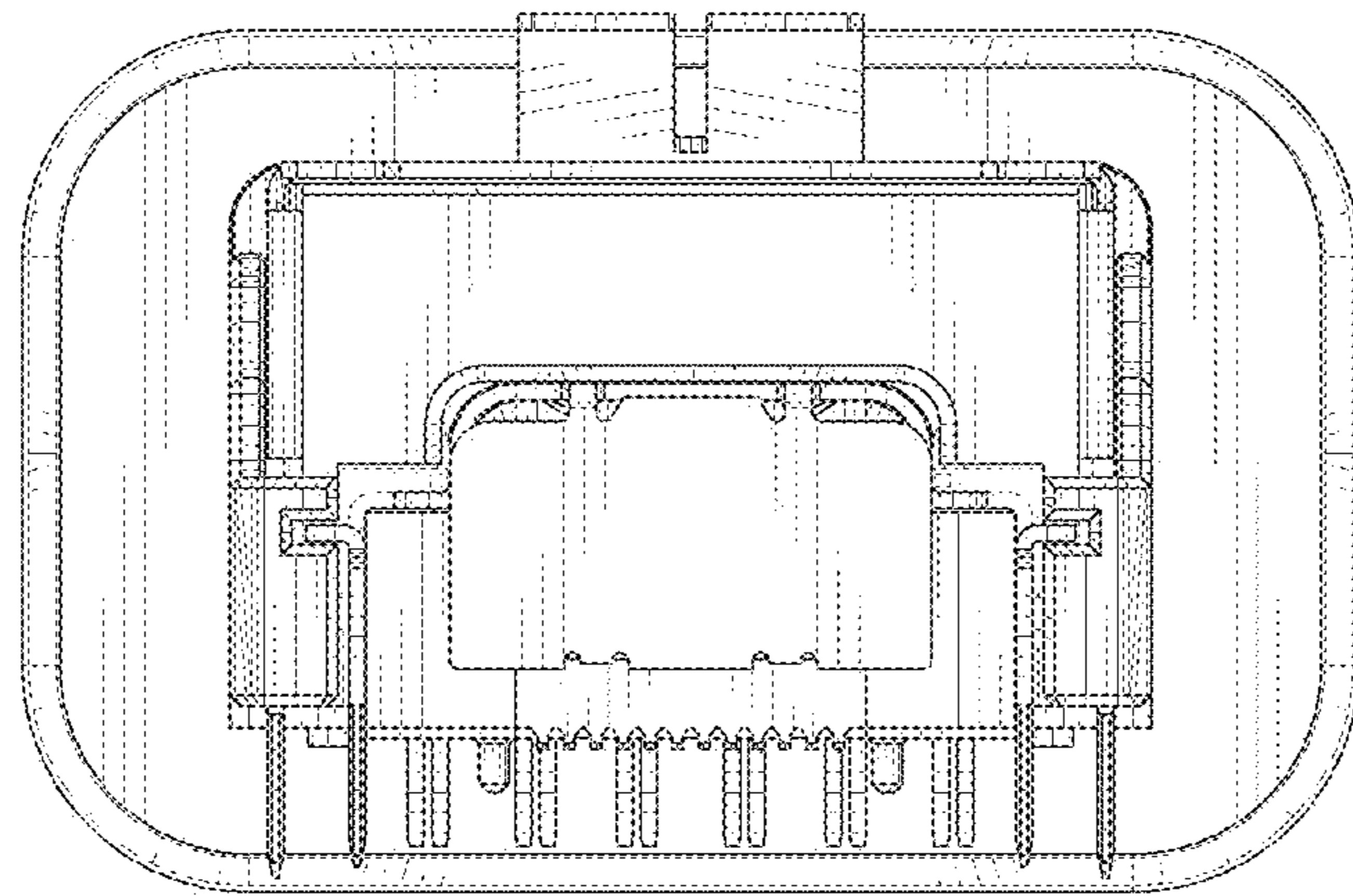


FIG. 2

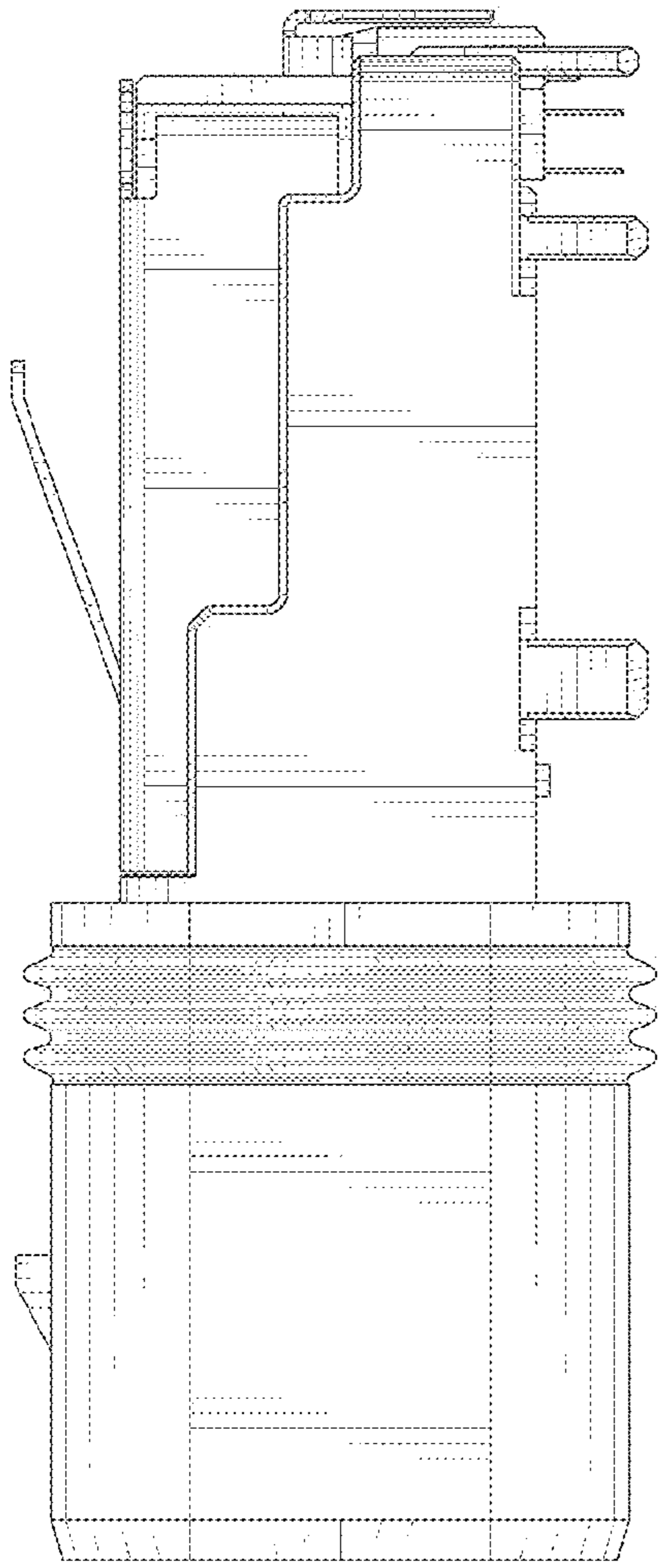


FIG. 3

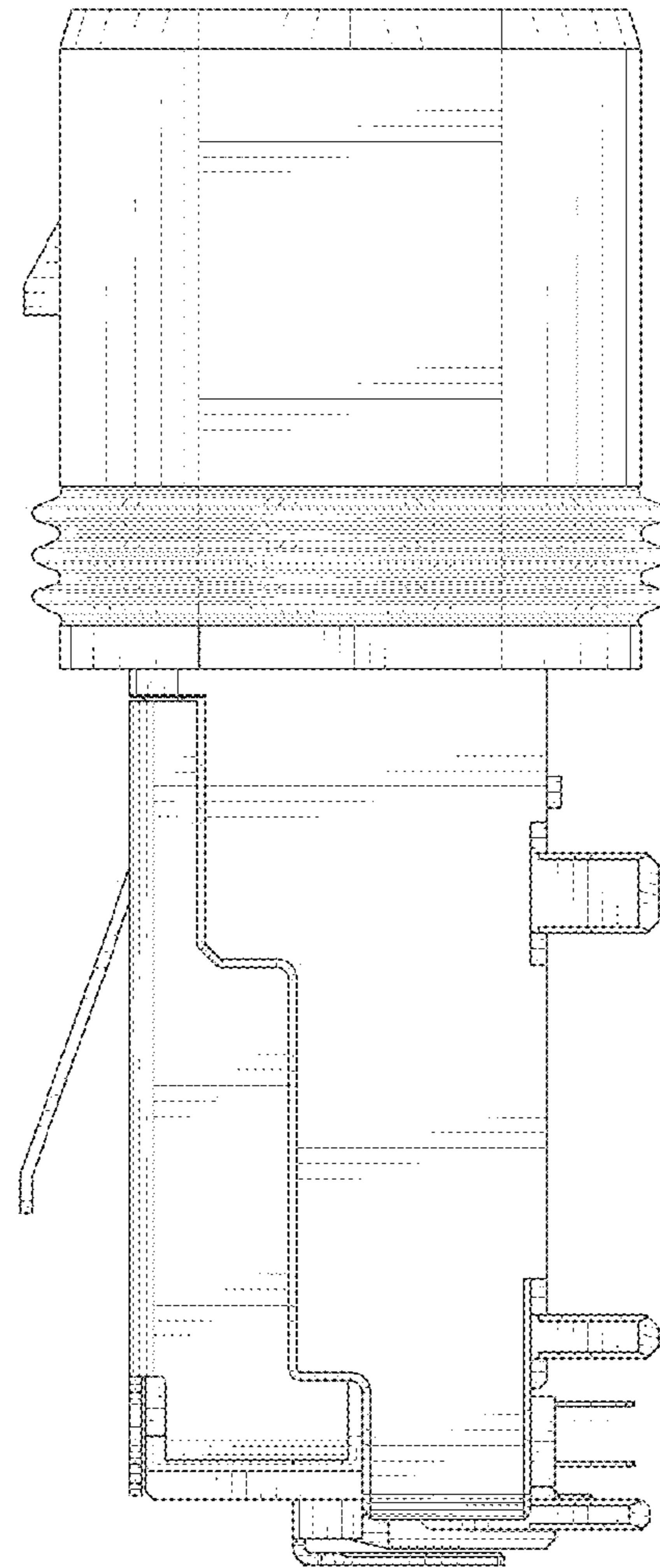


FIG. 4

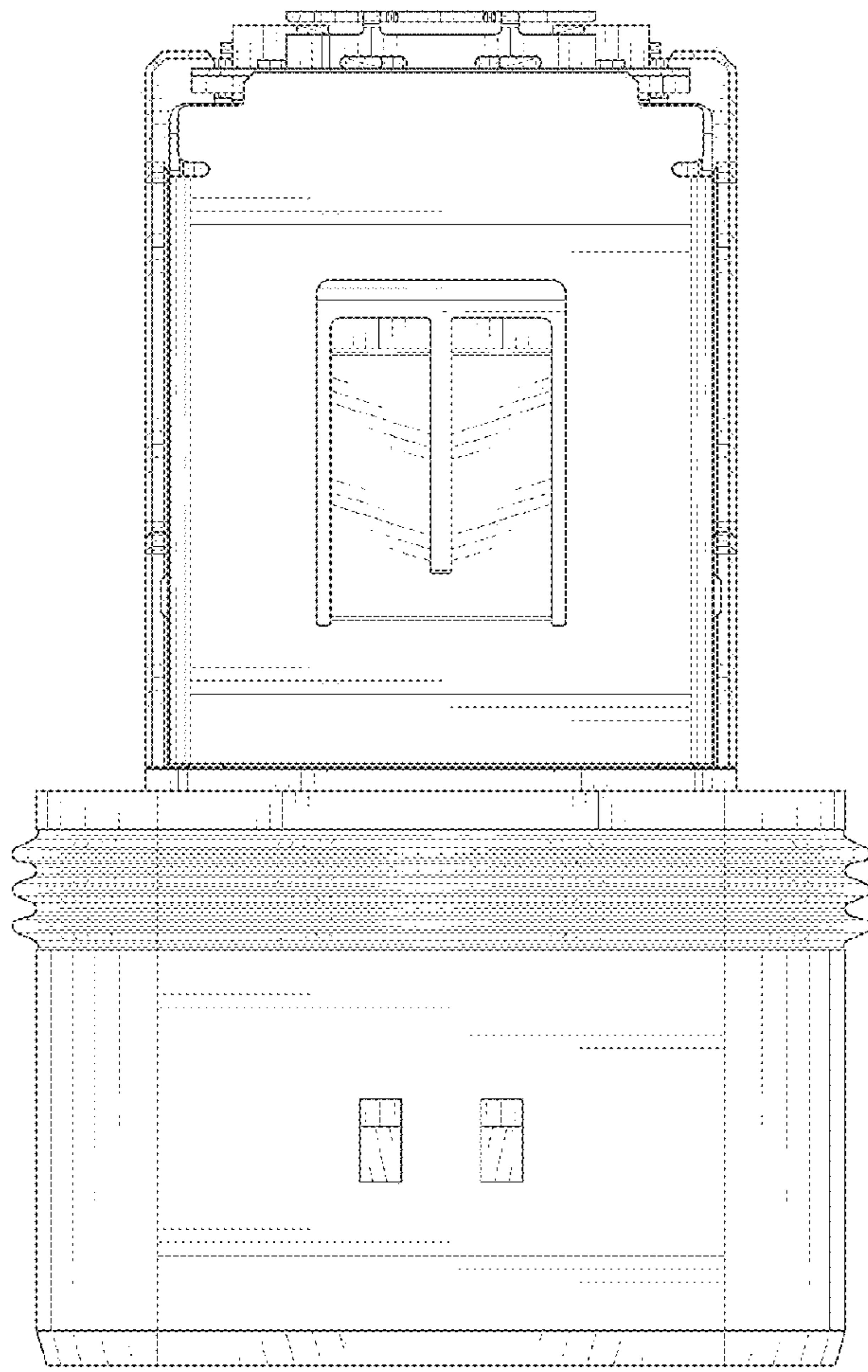


FIG. 5

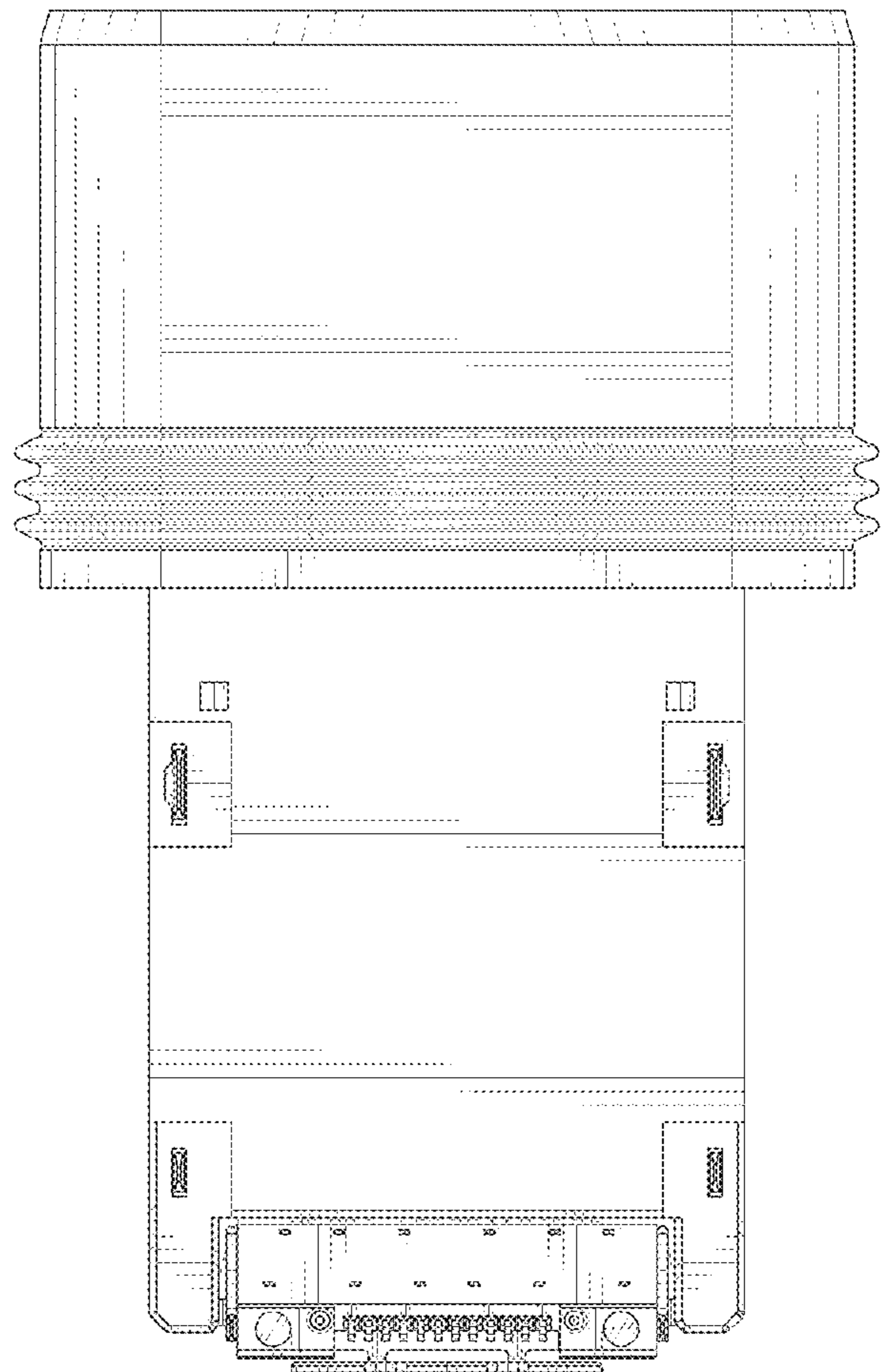


FIG. 6

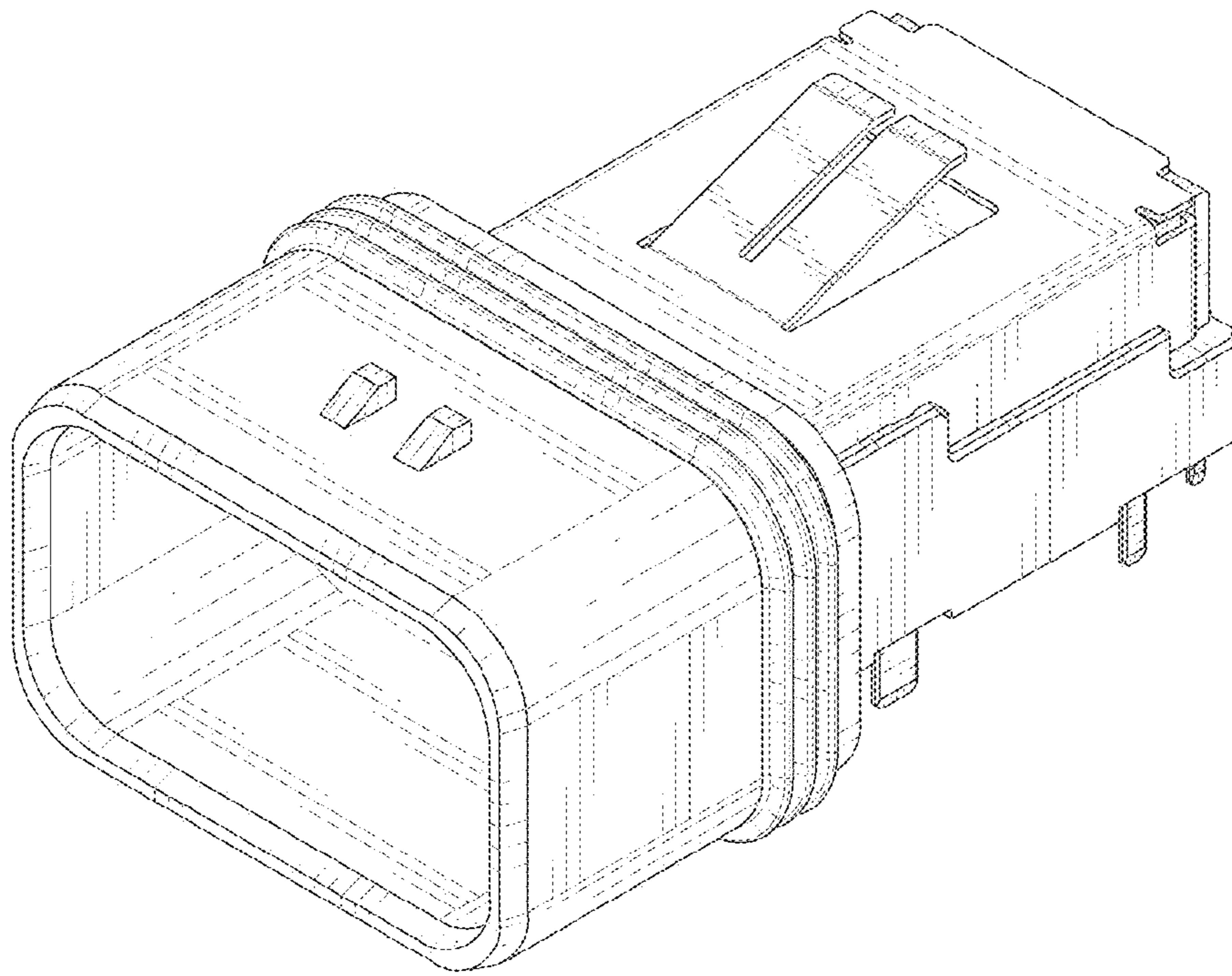


FIG. 7

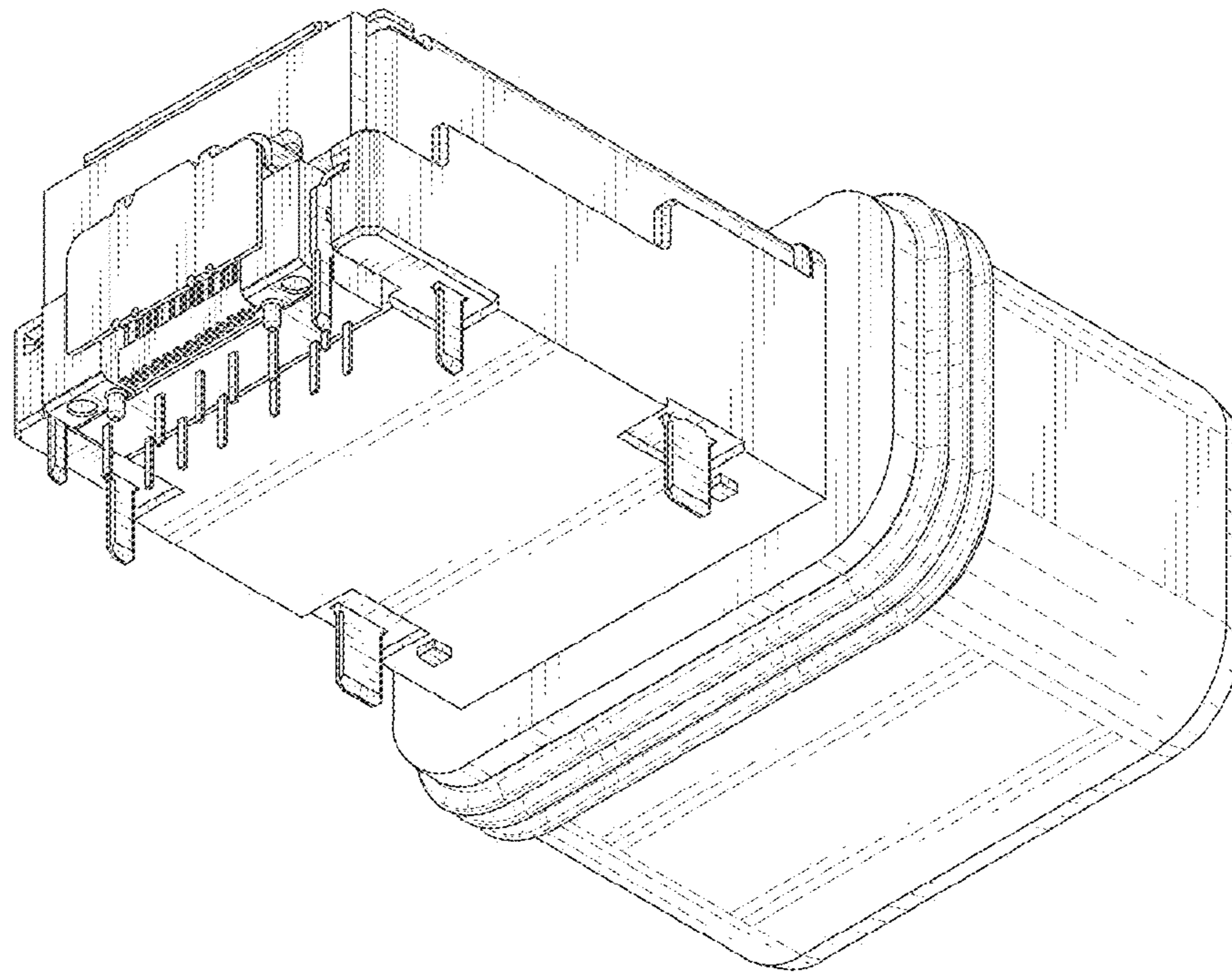


FIG. 8

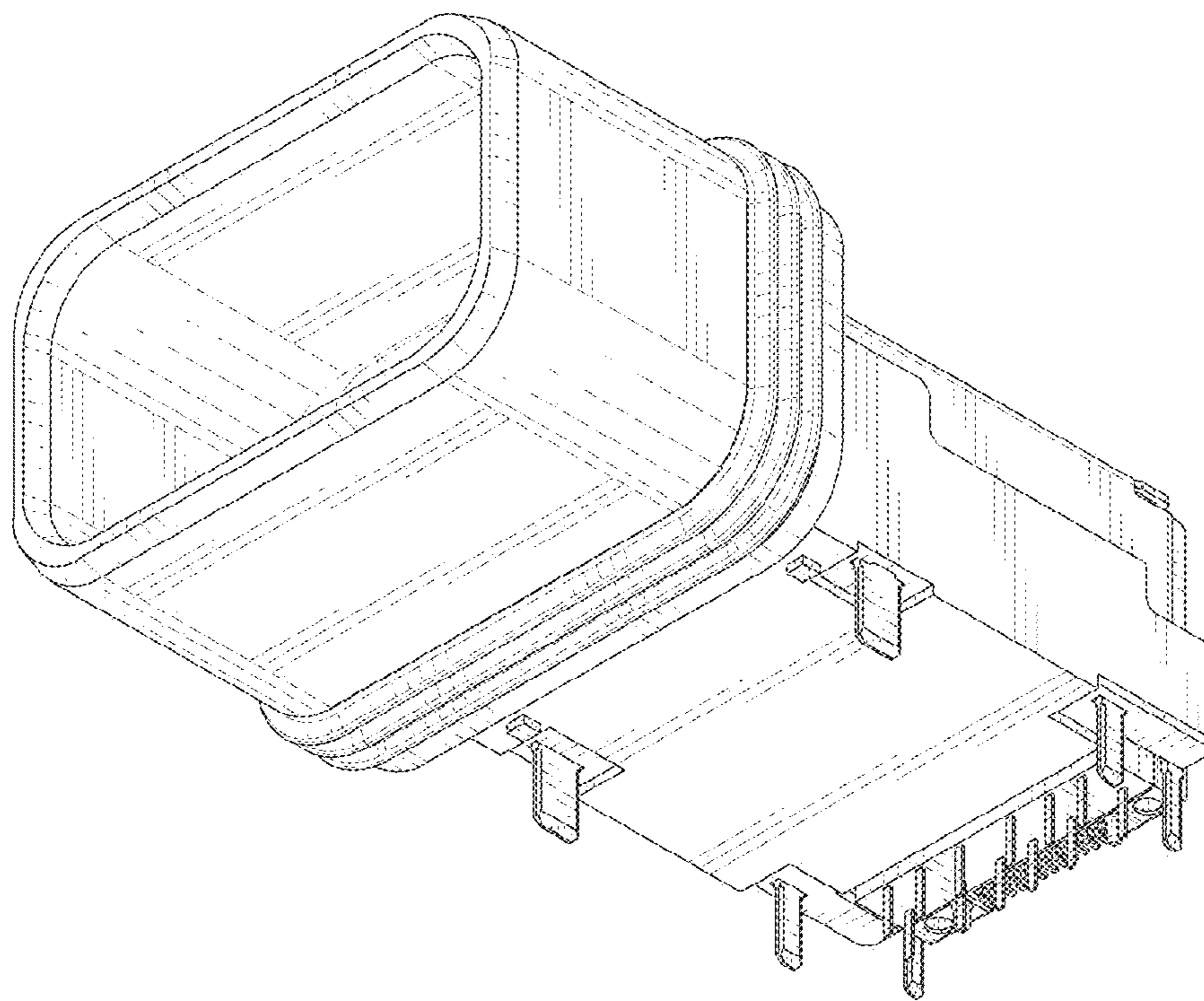


FIG. 9

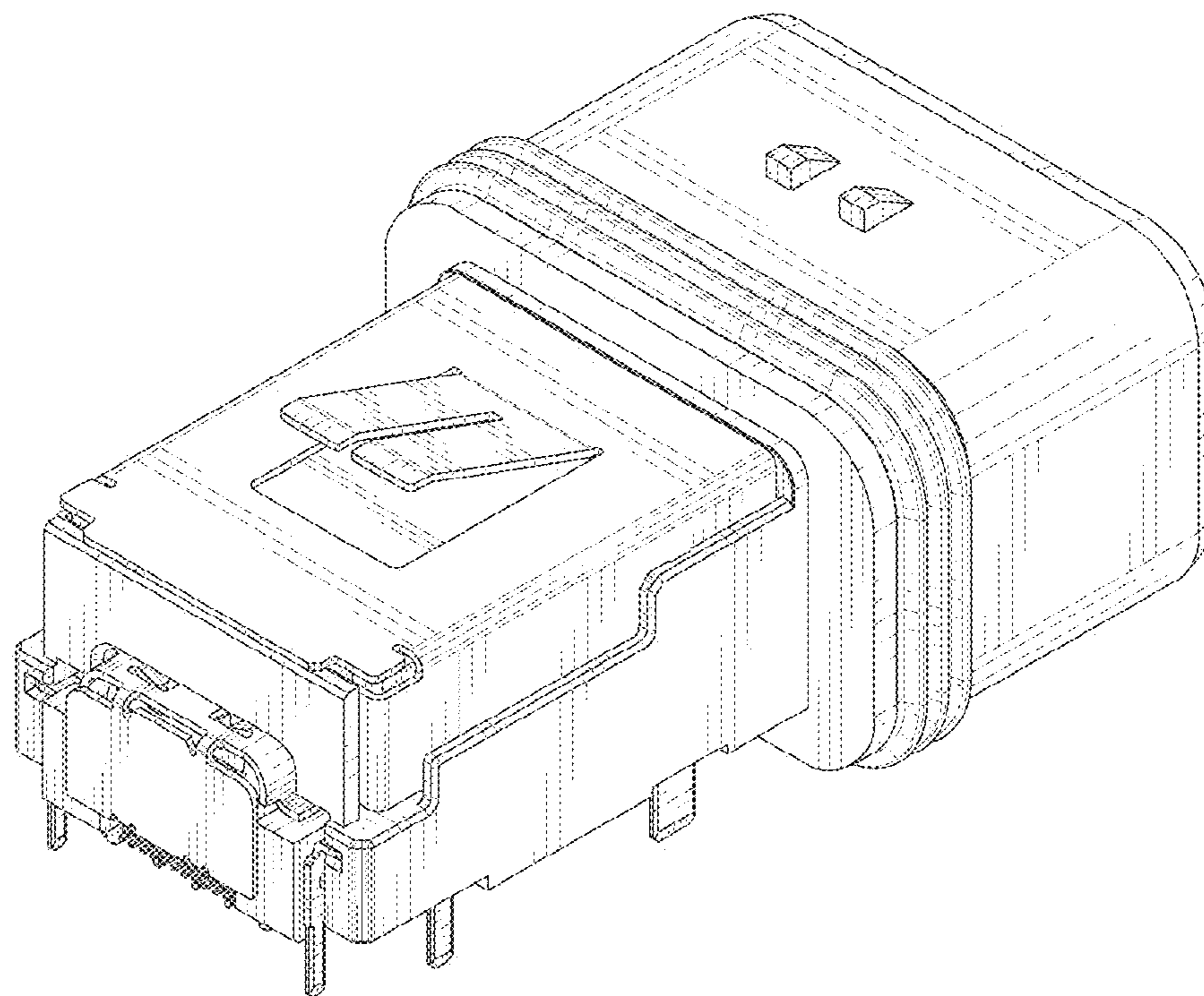


FIG. 10