



US00D985506S

(12) **United States Design Patent** (10) **Patent No.:** **US D985,506 S**  
**Wu** (45) **Date of Patent:** **\*\* May 9, 2023**

(54) **SMART SOCKET**

FOREIGN PATENT DOCUMENTS

(71) Applicant: **Guiying Wu**, Fujian (CN)

GB 6115167 \* 1/2021  
GB 6209926 \* 5/2022

(72) Inventor: **Guiying Wu**, Fujian (CN)

(\*\*) Term: **15 Years**

(21) Appl. No.: **29/821,429**

(22) Filed: **Dec. 29, 2021**

(51) **LOC (14) Cl.** ..... **13-03**

(52) **U.S. Cl.**

USPC ..... **D13/139.1**

(58) **Field of Classification Search**

USPC ... D13/108, 110, 137.1, 137.2, 137.3, 137.4,  
D13/138.1, 138.2, 139.1, 139.2, 139.3,  
D13/139.4, 139.5, 139.6, 139.7, 139.8

CPC .... H01R 13/11; H01R 13/518; H01R 13/642;  
H01R 13/652; H01R 25/003; H01R  
25/006; H01R 43/26; H01H 71/62; H01H  
73/14

See application file for complete search history.

(56) **References Cited**

U.S. PATENT DOCUMENTS

D559,782 S *	1/2008	Slasinski	.....	D13/137.1
D851,042 S *	6/2019	Pan	.....	D13/139.1
D851,598 S *	6/2019	Liang	.....	D13/139.7
D852,138 S	6/2019	Wen		
D852,139 S *	6/2019	Wen	.....	D13/137.1
D852,749 S *	7/2019	Wang	.....	D13/139.8
D878,298 S *	3/2020	Pan	.....	D13/139.3
D888,665 S *	6/2020	Xiong	.....	D13/110
D905,644 S *	12/2020	Byrne	.....	D13/139.4
D909,309 S *	2/2021	Pan	.....	D13/139.1
D914,610 S *	3/2021	Lyu	.....	D13/139.1
D935,413 S *	11/2021	Wang	.....	D13/137.2
D936,599 S *	11/2021	Salas	.....	D13/139.3
D945,371 S *	3/2022	Junko	.....	D13/139.3
D954,650 S *	6/2022	Amoss	.....	D13/137.2
2020/0287329 A1 *	9/2020	Stephens	.....	H01R 13/642

OTHER PUBLICATIONS

“Anker USB C Wall Outlet, PowerExtend USB-C Wall Outlet, 1 Outlet, 2 USB Ports, and a 30W Power Delivery Port, Tamper Resistant Receptacles,ETL Listed”, first available Mar. 22, 2021. Amazon.com [https://www.amazon.com/dp/B08ZNSL1DB] (Year: 2021).\*

“2 outlet, 2 USB-A Smart Plug (OWS221)”, first accessed Jul. 21, 2022. One-Products.com [https://www.one-products.com/products/2-outlet-2-usb-a-smart-plug-ows221] (Year: 2022).\*

“Socket Wall Shelf-CFMASTER 10 Port Surge Protector Wall Outlet, 8 Electrical Outlet Extenders and 2 USB Ports 2.4A, with Removable Built-In Shelf, FCC Listed (1, Gray)”, first available Dec. 25, 2020. Amazon.com [https://www.amazon.com/dp/B08P193NR1] (Year: 2020).\*

\* cited by examiner

*Primary Examiner* — Rosemary K Tarcza

*Assistant Examiner* — Seth David Kumpf

(57) **CLAIM**

The ornamental design for a smart socket, as shown and described.

**DESCRIPTION**

FIG. 1 is a perspective view of a smart socket showing my new design;

FIG. 2 is an alternative perspective view thereof;

FIG. 3 is a front view thereof;

FIG. 4 is a rear view thereof;

FIG. 5 is a left side view thereof;

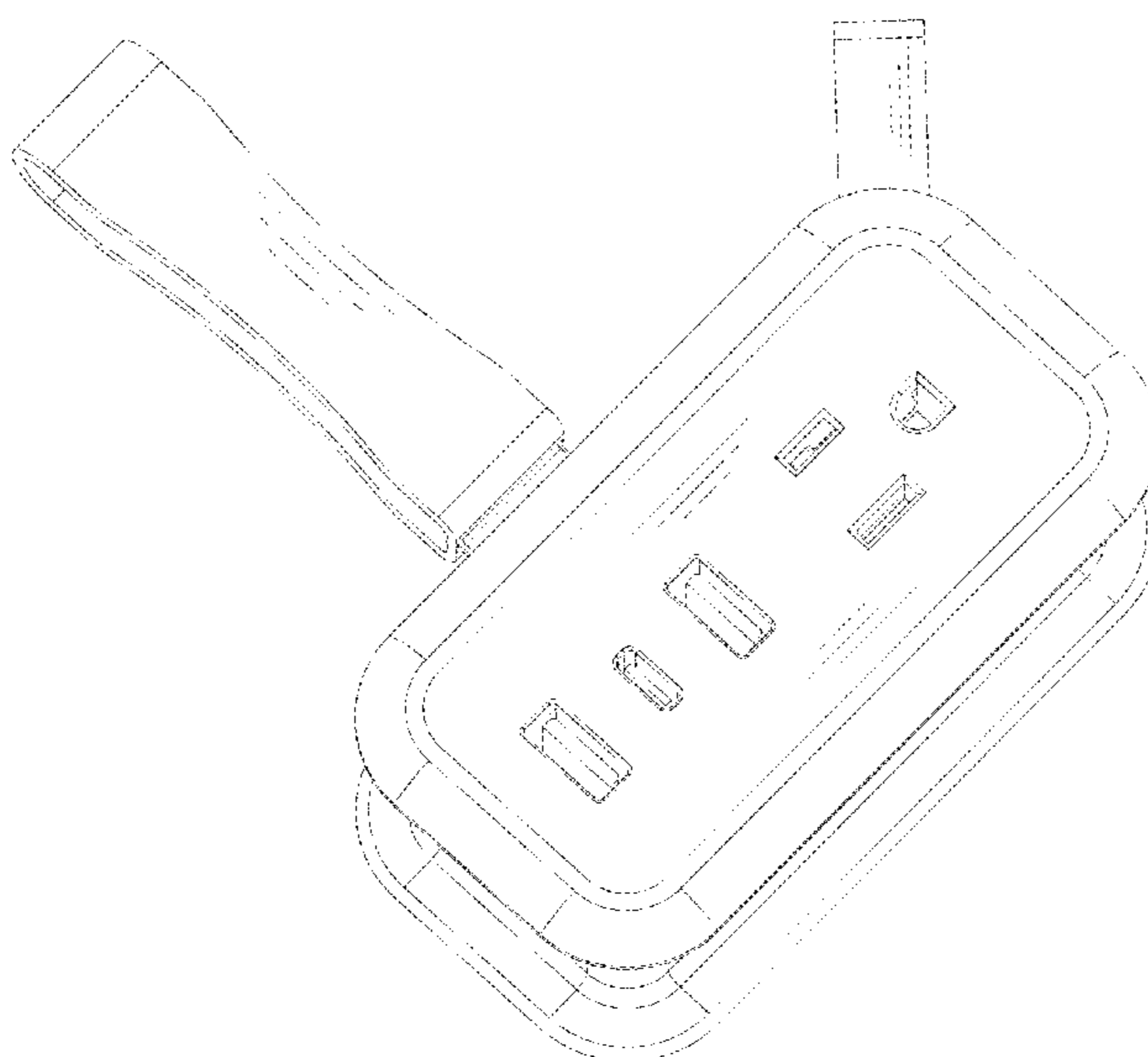
FIG. 6 is a right side view thereof;

FIG. 7 is a top plan view thereof; and,

FIG. 8 is a bottom plan view thereof.

The broken lines shown in FIG. 5 illustrate portions of the smart socket that form no part of the claimed design.

**1 Claim, 8 Drawing Sheets**



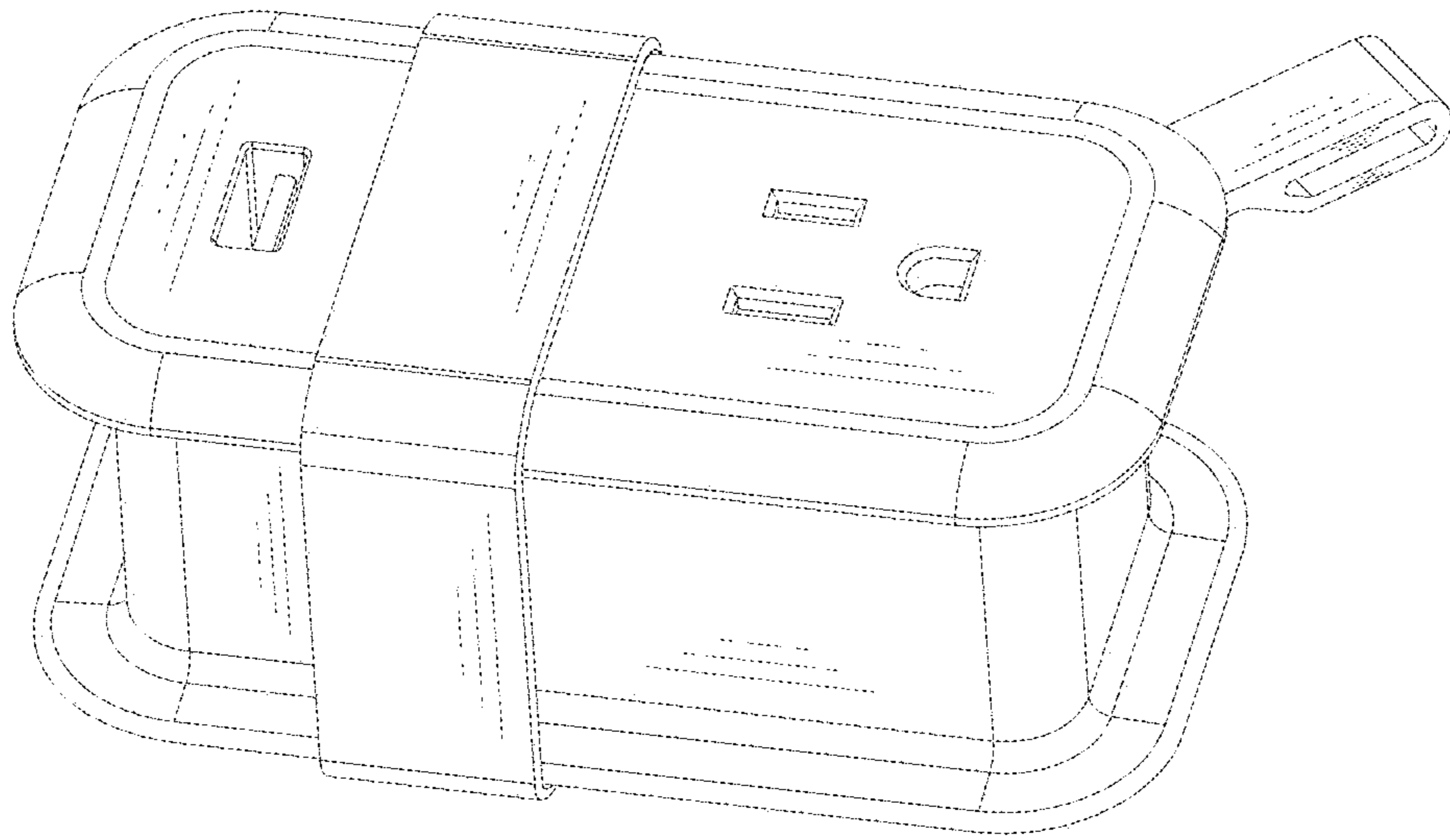


FIG. 1

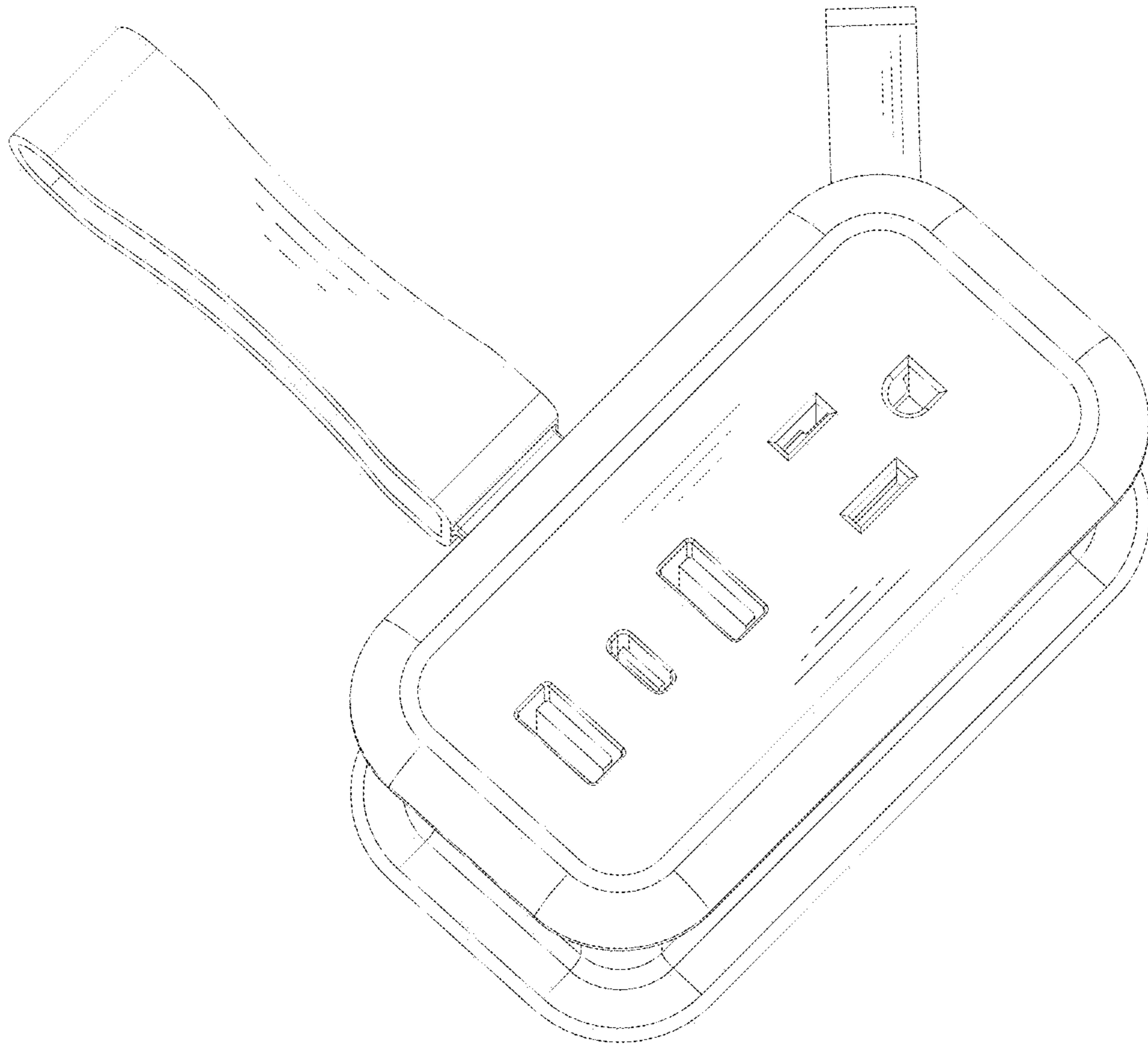


FIG. 2

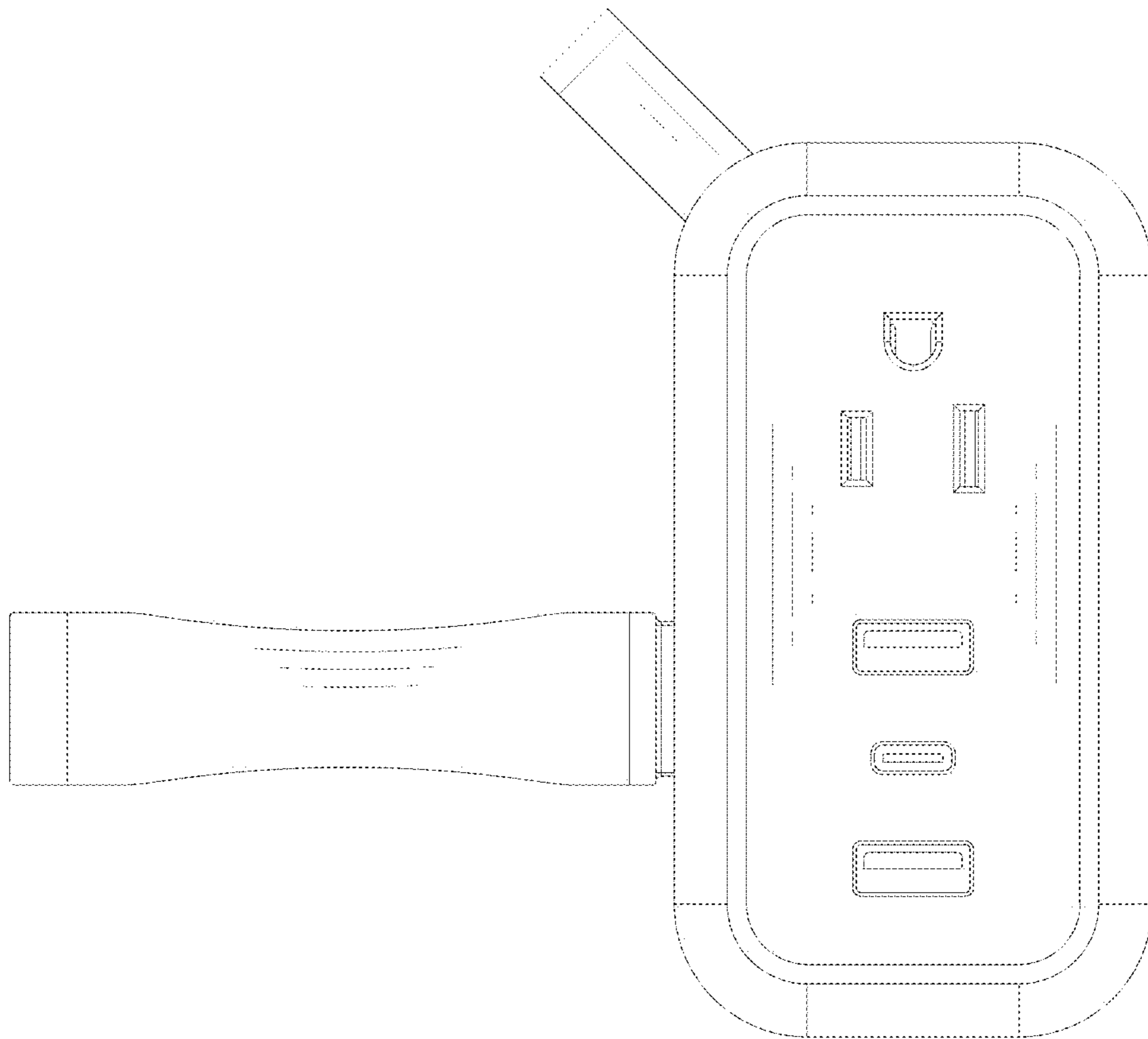


FIG. 3

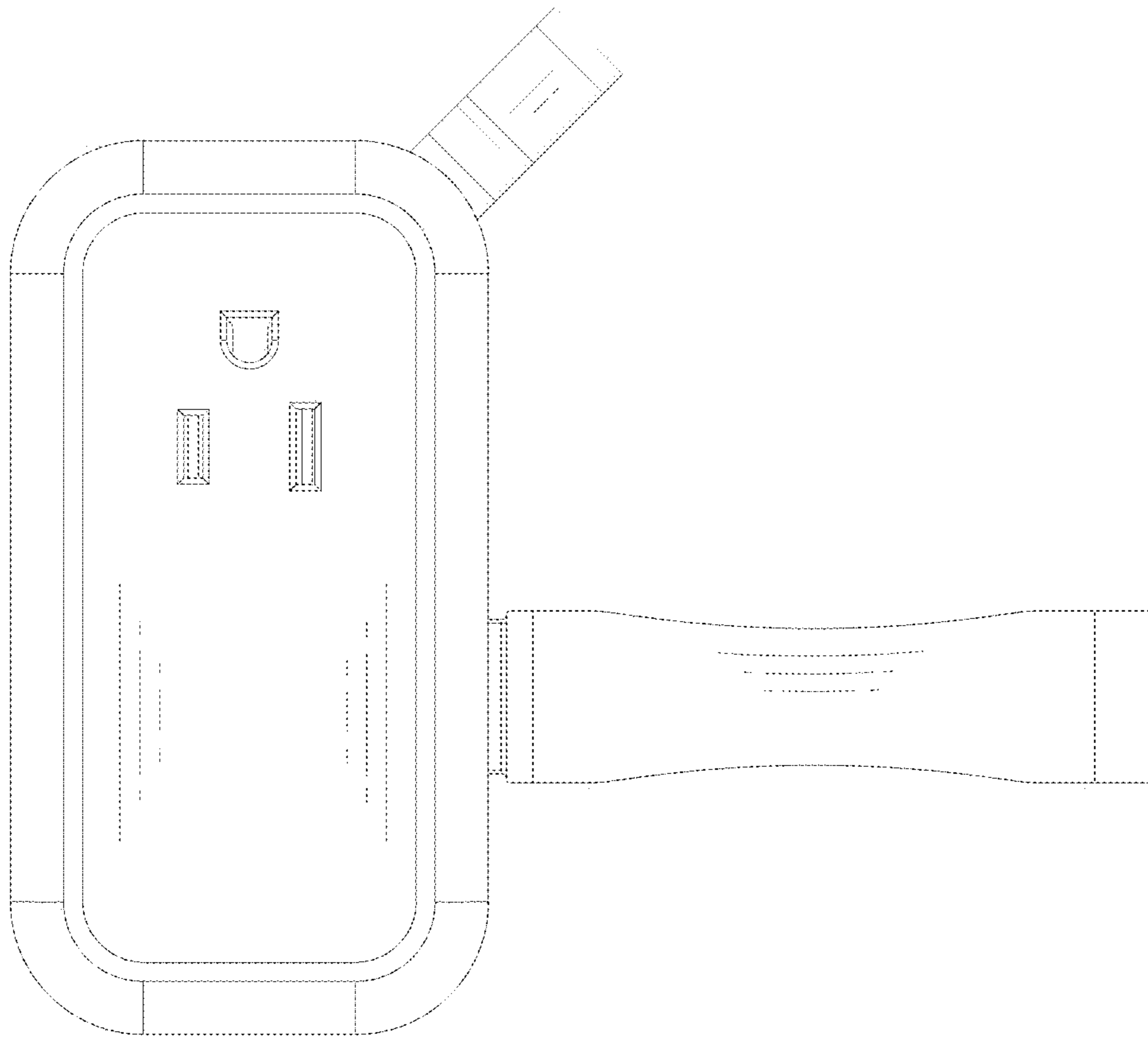


FIG. 4

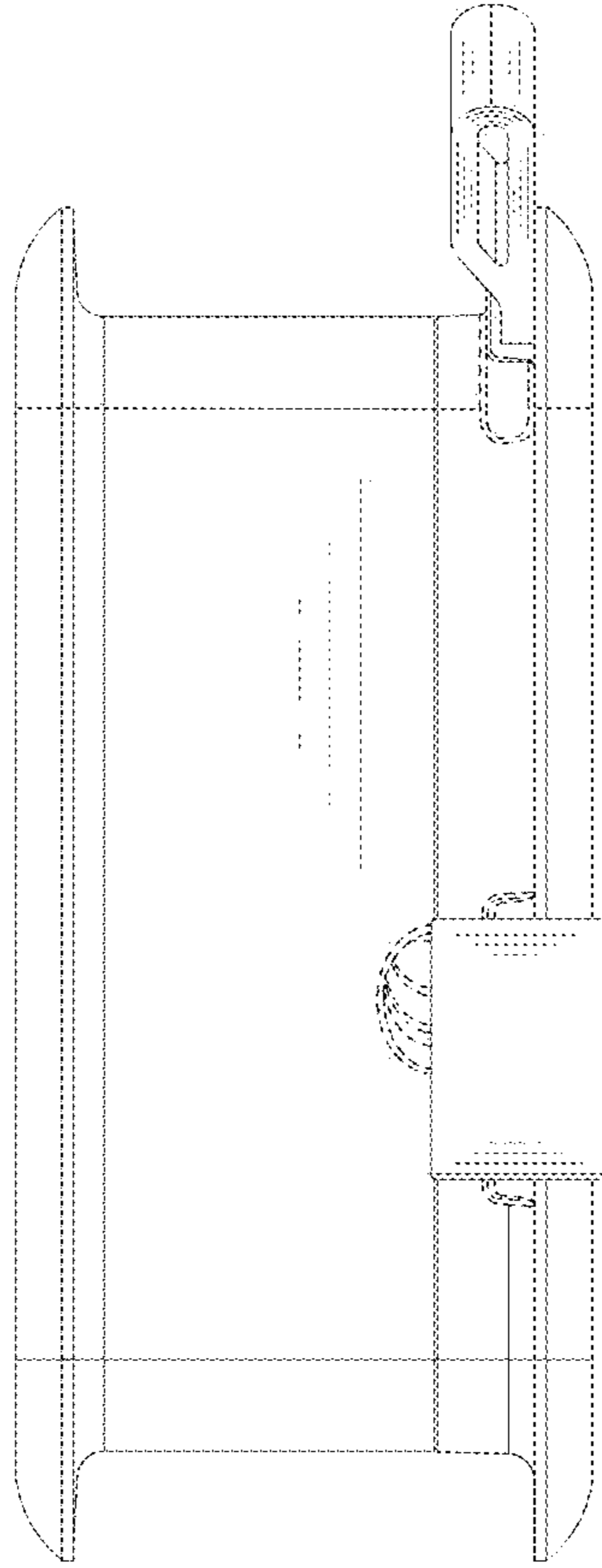


FIG. 5

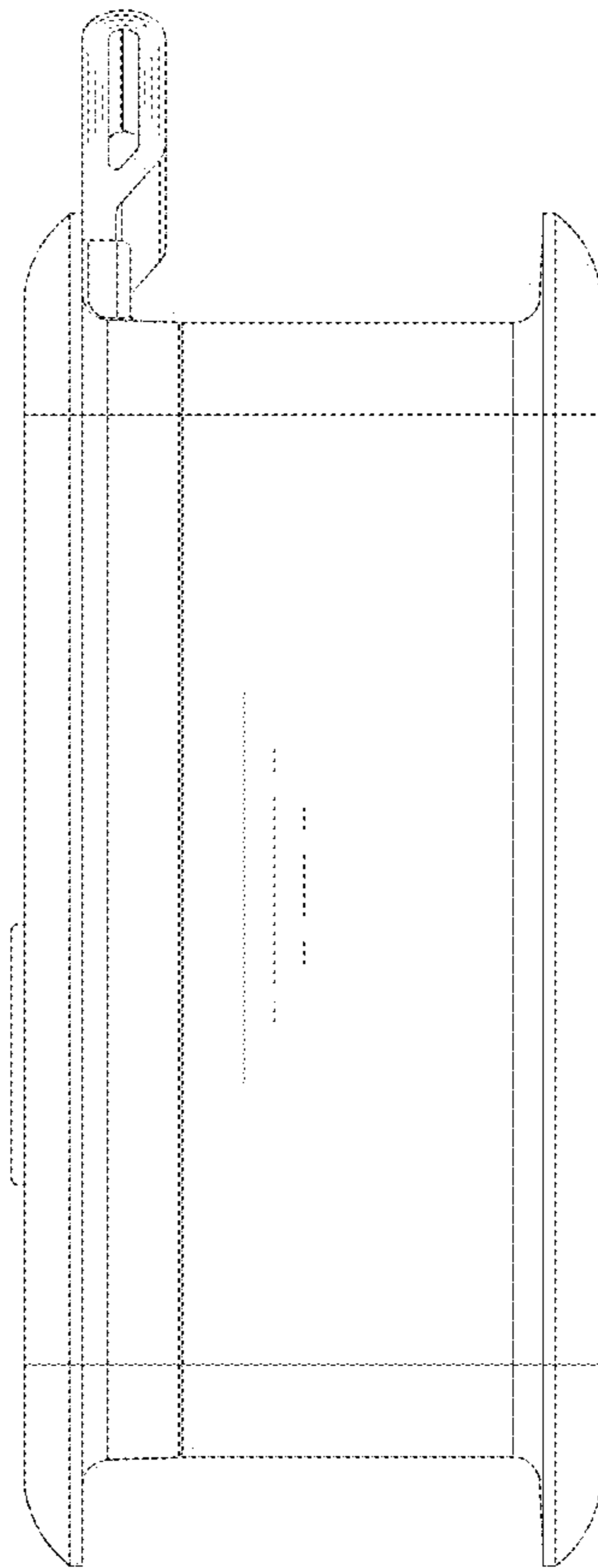


FIG. 6

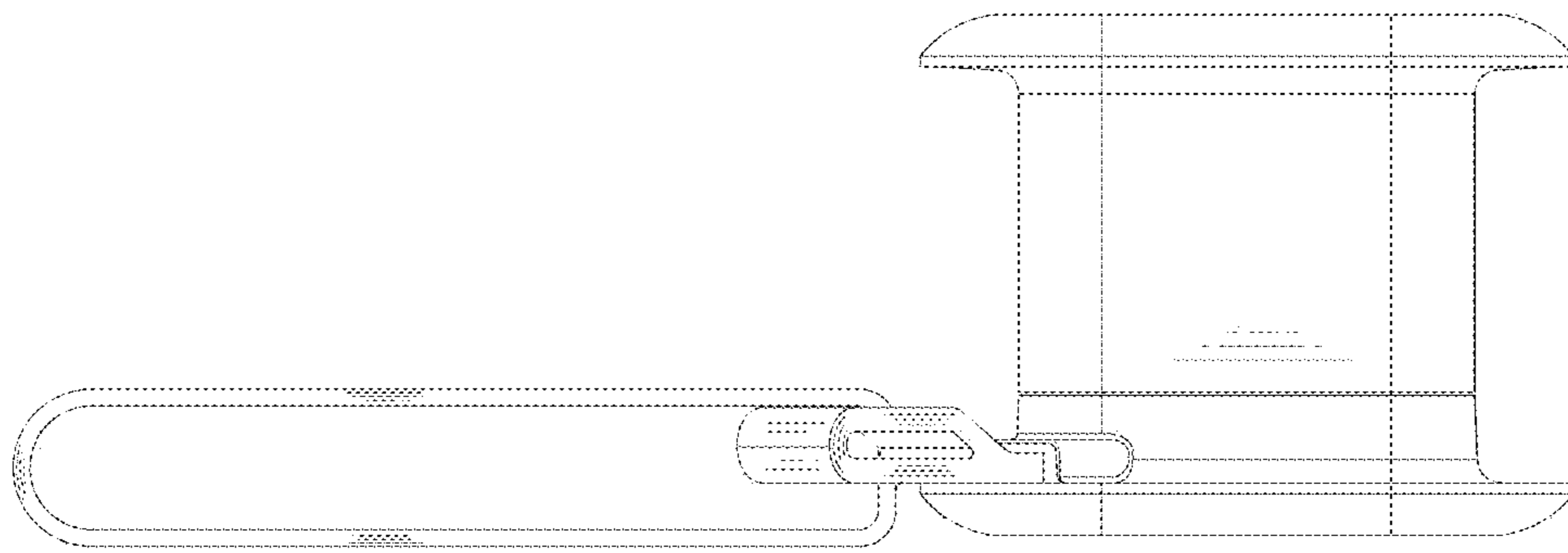


FIG. 7



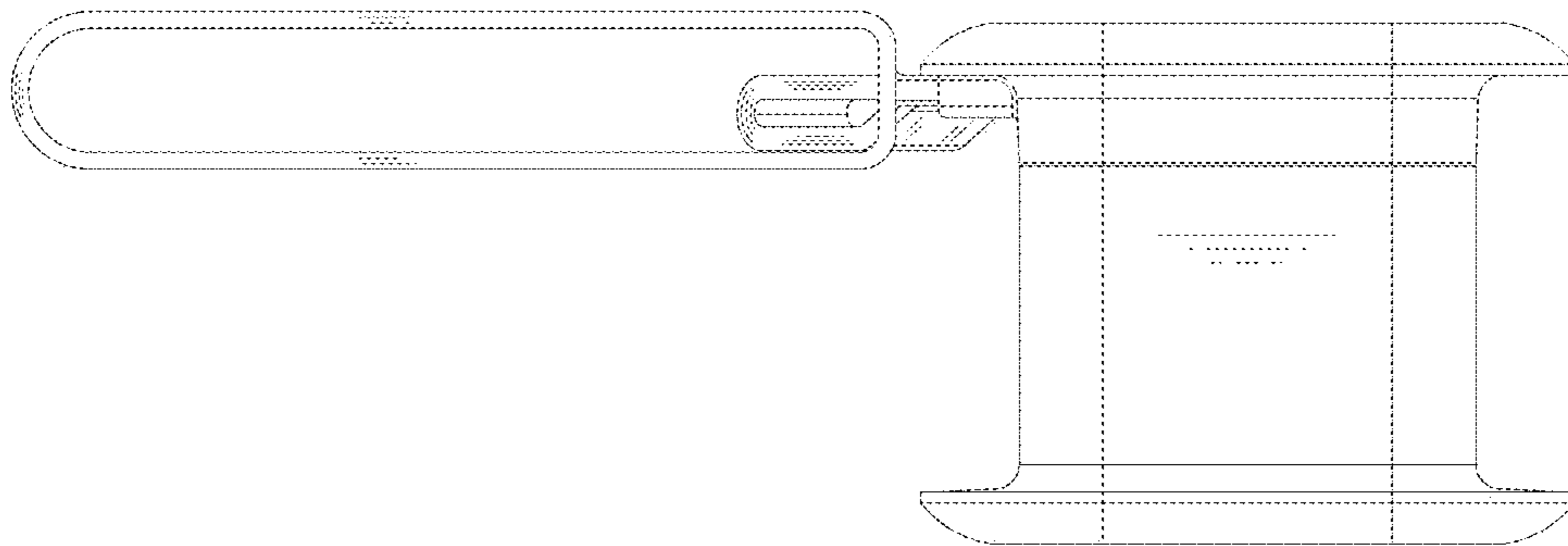


FIG. 8