



US00D985505S

(12) **United States Design Patent** (10) **Patent No.:** **US D985,505 S**  
**Zou** (45) **Date of Patent:** **\*\* May 9, 2023**

(54) **CEILING LIGHT**  
(71) Applicant: **Yuejun Zou**, Dongguan (CN)  
(72) Inventor: **Yuejun Zou**, Dongguan (CN)  
(\*\*) Term: **15 Years**  
(21) Appl. No.: **29/806,741**  
(22) Filed: **Sep. 6, 2021**  
(51) **LOC (14) Cl.** ..... **26-05**  
(52) **U.S. Cl.**  
USPC ..... **D26/88; D26/81**  
(58) **Field of Classification Search**  
USPC ..... D26/24, 59-65, 72-92  
CPC . F21Y 2115/10; F21S 8/04; F21S 8/06; F21S  
8/046; F21V 33/0096; F21V 21/03; F21V  
15/01  
See application file for complete search history.

D825,812 S \* 8/2018 Wright ..... D26/81  
D876,701 S \* 2/2020 Richardson ..... D26/81  
D887,620 S \* 6/2020 Zhu ..... D26/88  
D895,188 S \* 9/2020 Xu ..... D26/88  
D898,978 S \* 10/2020 Xu ..... D26/82  
D905,315 S \* 12/2020 Li ..... D26/81  
D906,571 S \* 12/2020 Li ..... D26/81  
D906,572 S \* 12/2020 Li ..... D26/81  
D923,843 S \* 6/2021 Zhang  
D929,019 S \* 8/2021 Zhao ..... D26/81

\* cited by examiner

*Primary Examiner* — Mark A Goodwin  
*Assistant Examiner* — William B Melliar

(57) **CLAIM**

The ornamental design for a ceiling light, as shown and described.

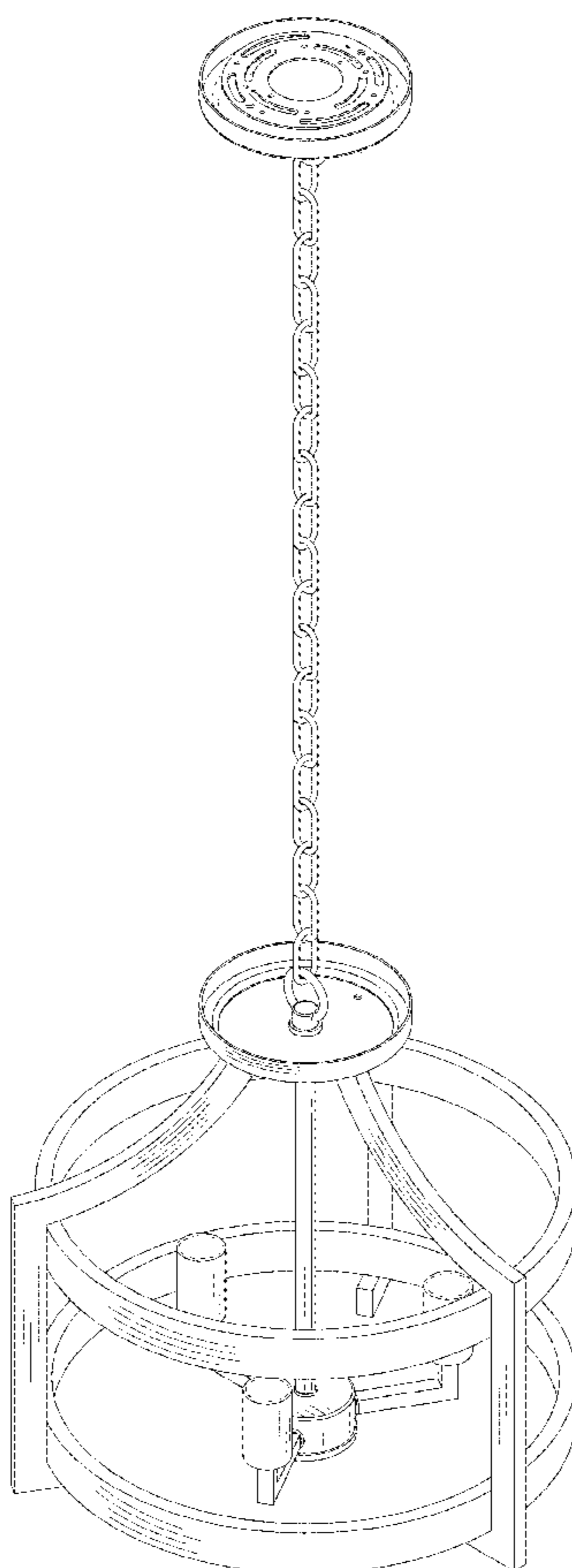
**DESCRIPTION**

FIG. 1 is a perspective view of a ceiling light showing my new design;  
FIG. 2 is a front elevational view thereof;  
FIG. 3 is a rear elevational view thereof;  
FIG. 4 is a left side elevational view thereof;  
FIG. 5 is a right side elevational view thereof;  
FIG. 6 is a top plan view thereof; and,  
FIG. 7 is a bottom plan view thereof.

The broken lines in the drawings depict portions of the ceiling light that form no part of the claimed design.

**1 Claim, 7 Drawing Sheets**

(56) **References Cited**  
U.S. PATENT DOCUMENTS  
D51,361 S \* 10/1917 Adams ..... D26/88  
D558,384 S \* 12/2007 Bickler ..... D26/88  
D558,912 S \* 1/2008 Crosby ..... D26/88  
D605,332 S \* 12/2009 Miranda ..... D26/88  
D605,333 S \* 12/2009 Miranda ..... D26/88  
D773,103 S 11/2016 Recker et al.



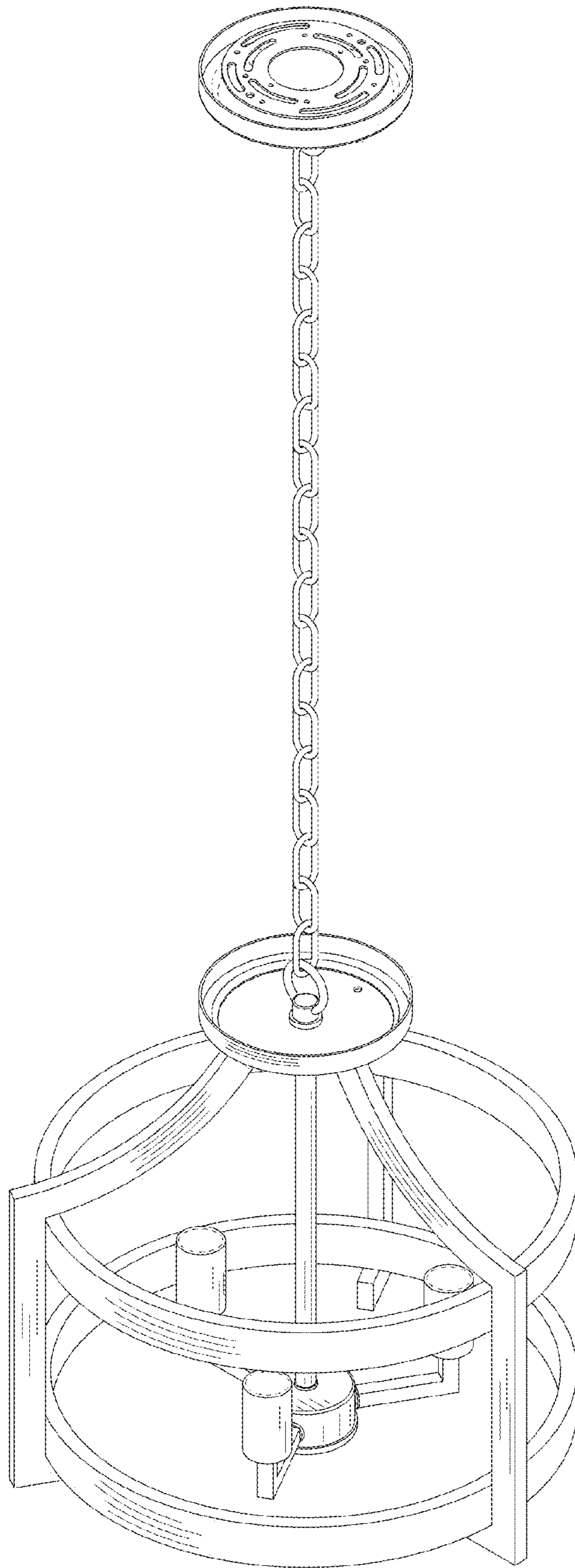


FIG. 1

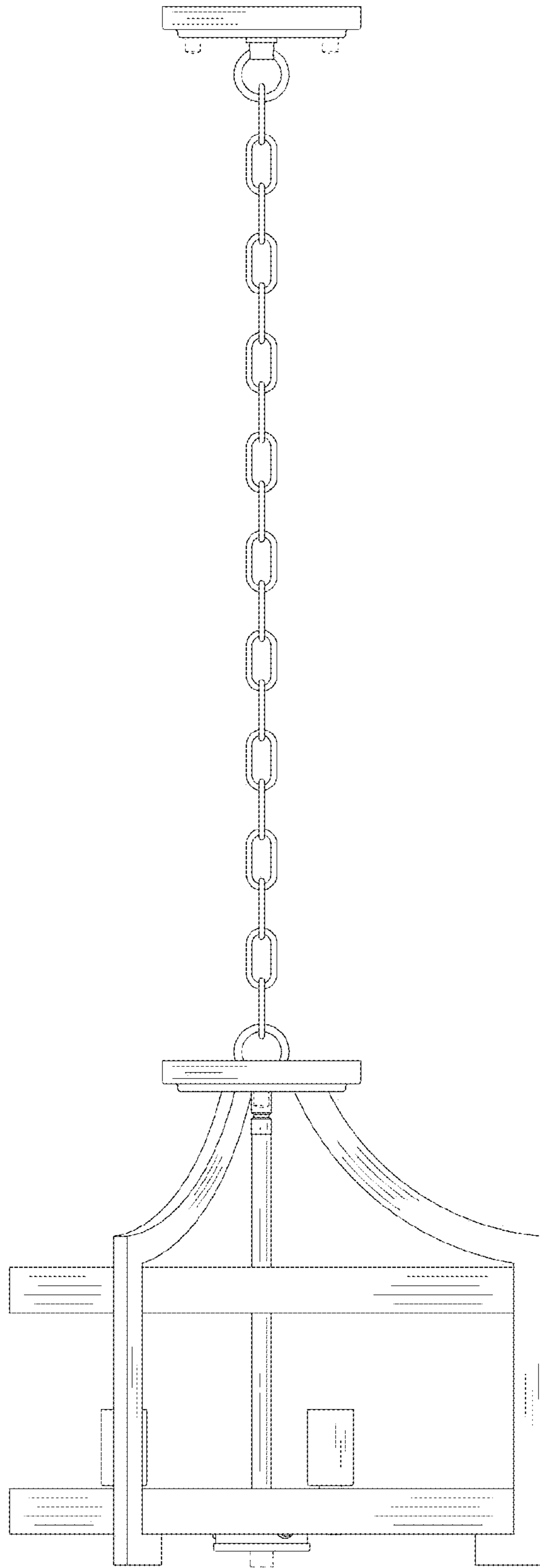


FIG. 2

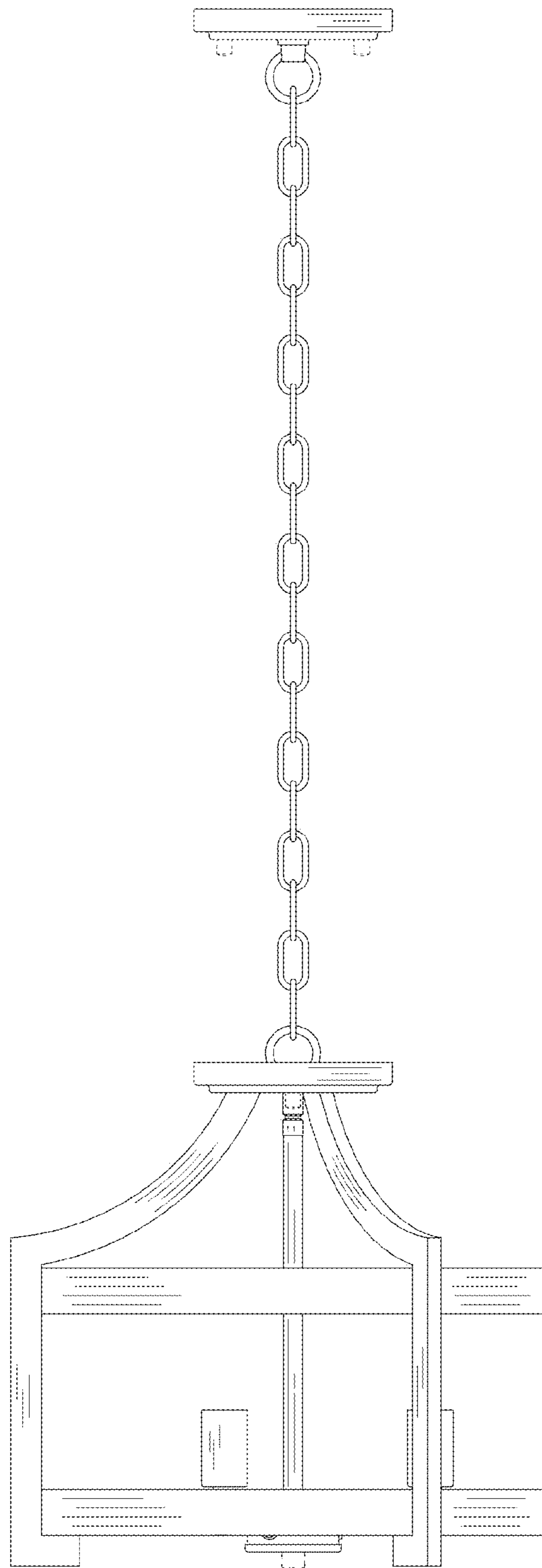


FIG. 3

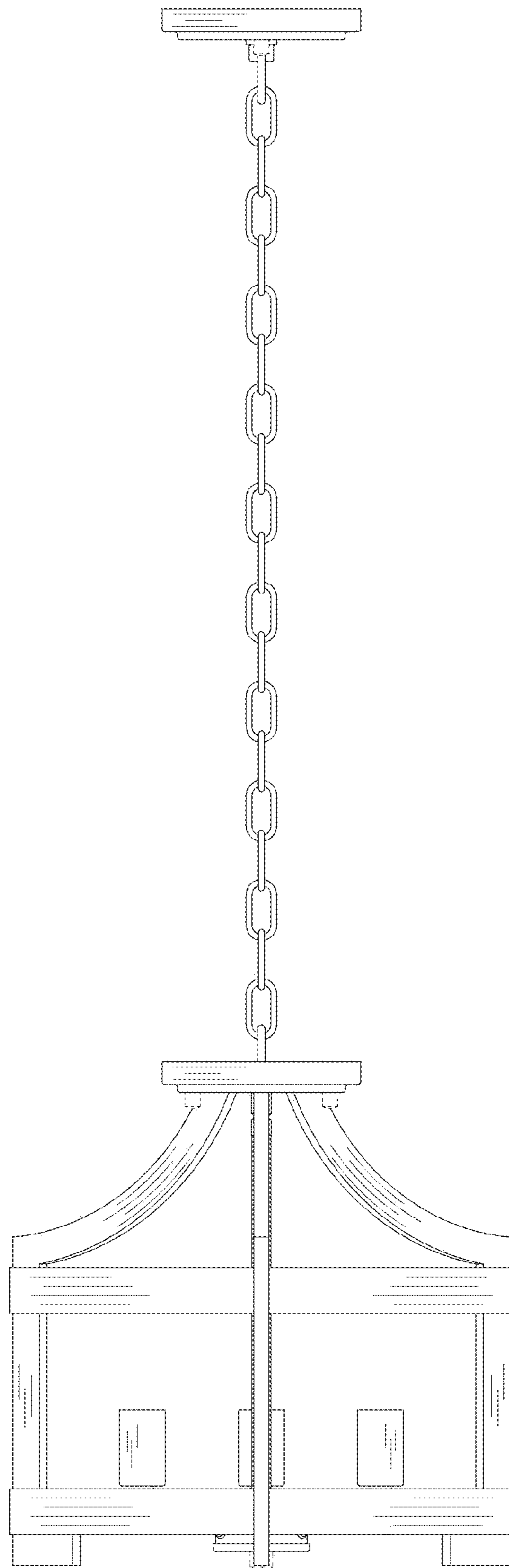


FIG. 4

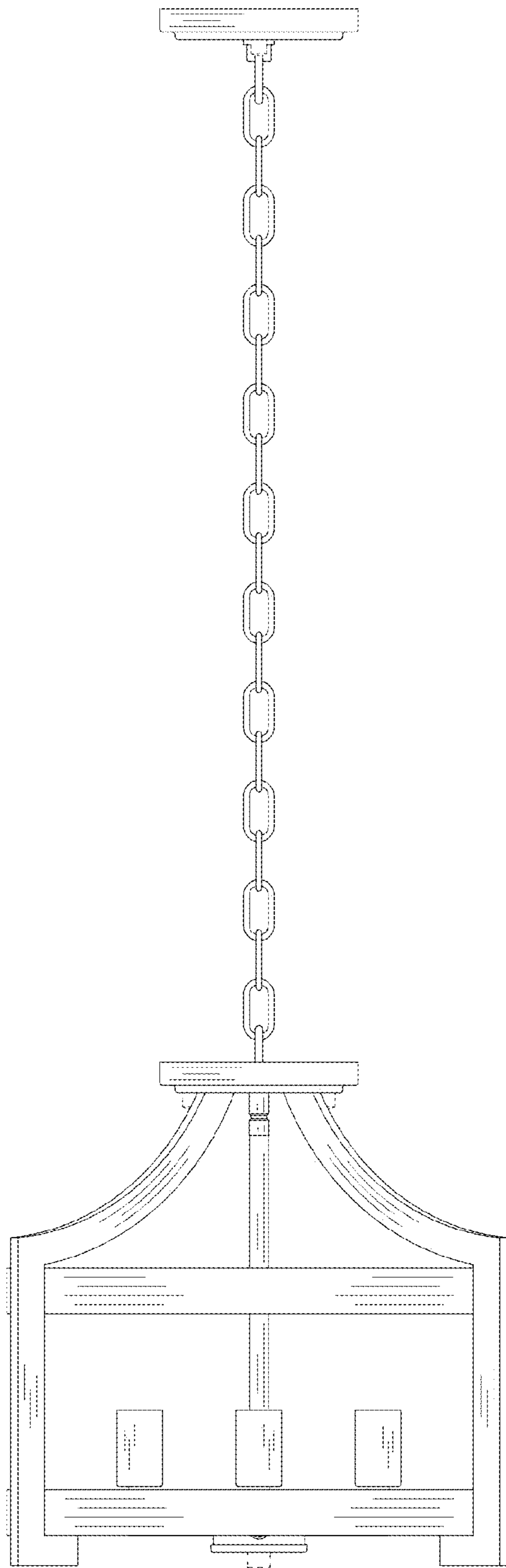


FIG. 5

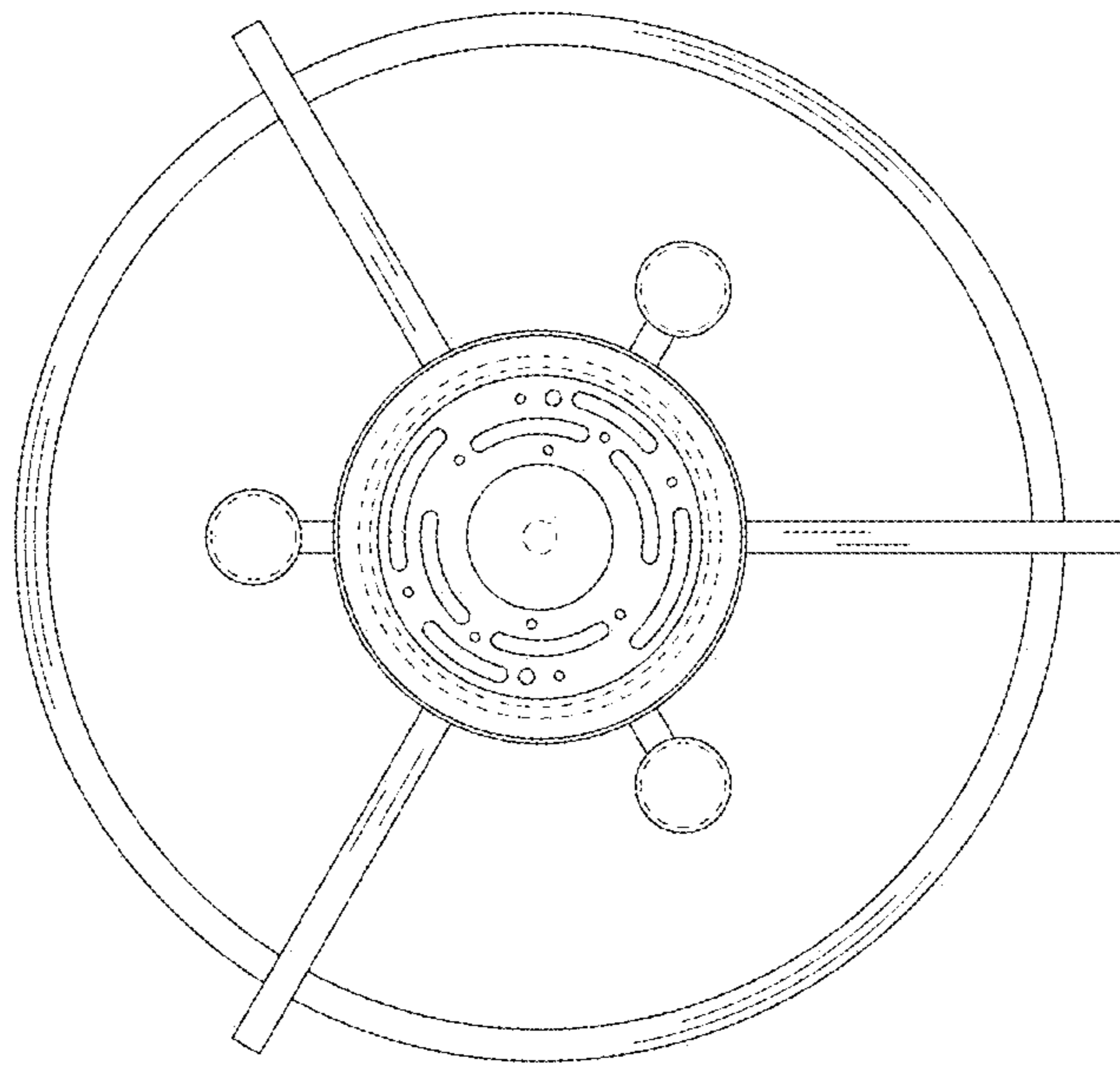


FIG. 6

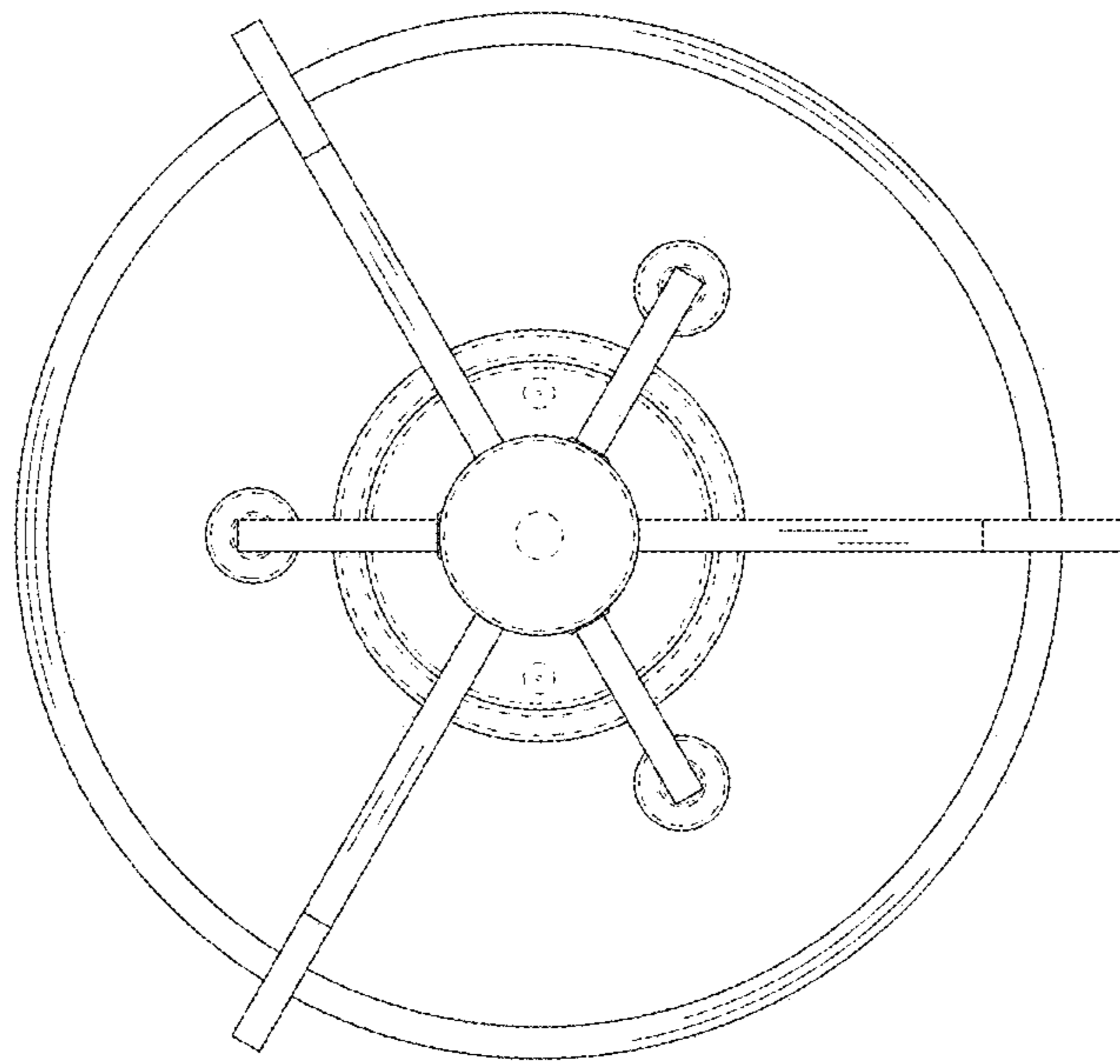


FIG. 7