



US00D985504S

(12) **United States Design Patent** (10) **Patent No.:** **US D985,504 S**  
**Iga** (45) **Date of Patent:** **\*\* May 9, 2023**

(54) **ELECTRICAL CONNECTOR**

(56) **References Cited**

(71) Applicant: **HIROSE ELECTRIC CO., LTD.**,  
Yokohama (JP)

(72) Inventor: **Junya Iga**, Kanagawa (JP)

(73) Assignee: **HIROSE ELECTRIC CO., LTD.**,  
Yokohama (JP)

(\*\*) Term: **15 Years**

(21) Appl. No.: **29/806,178**

(22) Filed: **Sep. 1, 2021**

(30) **Foreign Application Priority Data**

Mar. 9, 2021 (JP) ..... 2021-004836 D

(51) **LOC (14) Cl.** ..... **13-03**

(52) **U.S. Cl.**  
USPC ..... **D13/133; D13/147**

(58) **Field of Classification Search**  
USPC ..... D13/103, 108, 110, 118, 119, 137, 0.02,  
D13/0.03, 138.1, 139.1, 139.4, 139.5,  
D13/199, 107, 123, 133, 146, 147, 182,  
D13/149, 154, 194; D14/251, 252, 253,  
D14/432, 433, 434, 447; D15/9, 320,  
D15/103-115  
CPC .. H01M 10/46; H01M 10/425; H01M 2/1022;  
H01R 24/00; H01R 12/592; H01R  
13/506; H01R 13/639; H01R 13/5837;  
H01R 13/6461; H01R 13/6594; H01R  
13/16582; H02J 7/0044; H02J 7/045;  
H02J 7/0003; H02J 7/0013; H02J 7/0045;  
H02J 201/006

See application file for complete search history.

U.S. PATENT DOCUMENTS

D516,034	S	*	2/2006	Huang	.....	D13/147
D525,590	S	*	7/2006	Huang	.....	D13/147
7,329,154	B2	*	2/2008	Koyama	.....	H01R 13/6461 439/353
D838,673	S	*	1/2019	Naganuma	.....	D13/147
10,454,220	B2	*	10/2019	Sakaizawa	.....	H01R 12/716
10,490,946	B2	*	11/2019	Sakaizawa	.....	H01R 13/6594
10,522,950	B2	*	12/2019	Sakaizawa	.....	H01R 13/6582
10,734,766	B2	*	8/2020	Naganuma	.....	H01R 4/2433
10,965,054	B2	*	3/2021	Naganuma	.....	H01R 13/506
11,239,604	B2	*	2/2022	Barlemont	.....	H01R 13/639
11,329,423	B2	*	5/2022	Chamura	.....	H01R 13/5837

\* cited by examiner

*Primary Examiner* — Shawn T Gingrich

*Assistant Examiner* — Caleb M Baker

(74) *Attorney, Agent, or Firm* — Rankin, Hill & Clark  
LLP

(57) **CLAIM**

The ornamental design for an electrical connector, as shown and described.

**DESCRIPTION**

FIG. 1 is a perspective view of the front, bottom and right side of the electrical connector showing my new design;  
FIG. 2 is a perspective view of the rear, top and left side thereof;  
FIG. 3 is a front view thereof;  
FIG. 4 is a rear view thereof;  
FIG. 5 is a left side view thereof;  
FIG. 6 is a right side view thereof;  
FIG. 7 is a top plan view thereof; and,  
FIG. 8 is a bottom view thereof.  
The broken lines shown represent portions of the claimed design and form no part of the claimed design.

**1 Claim, 7 Drawing Sheets**

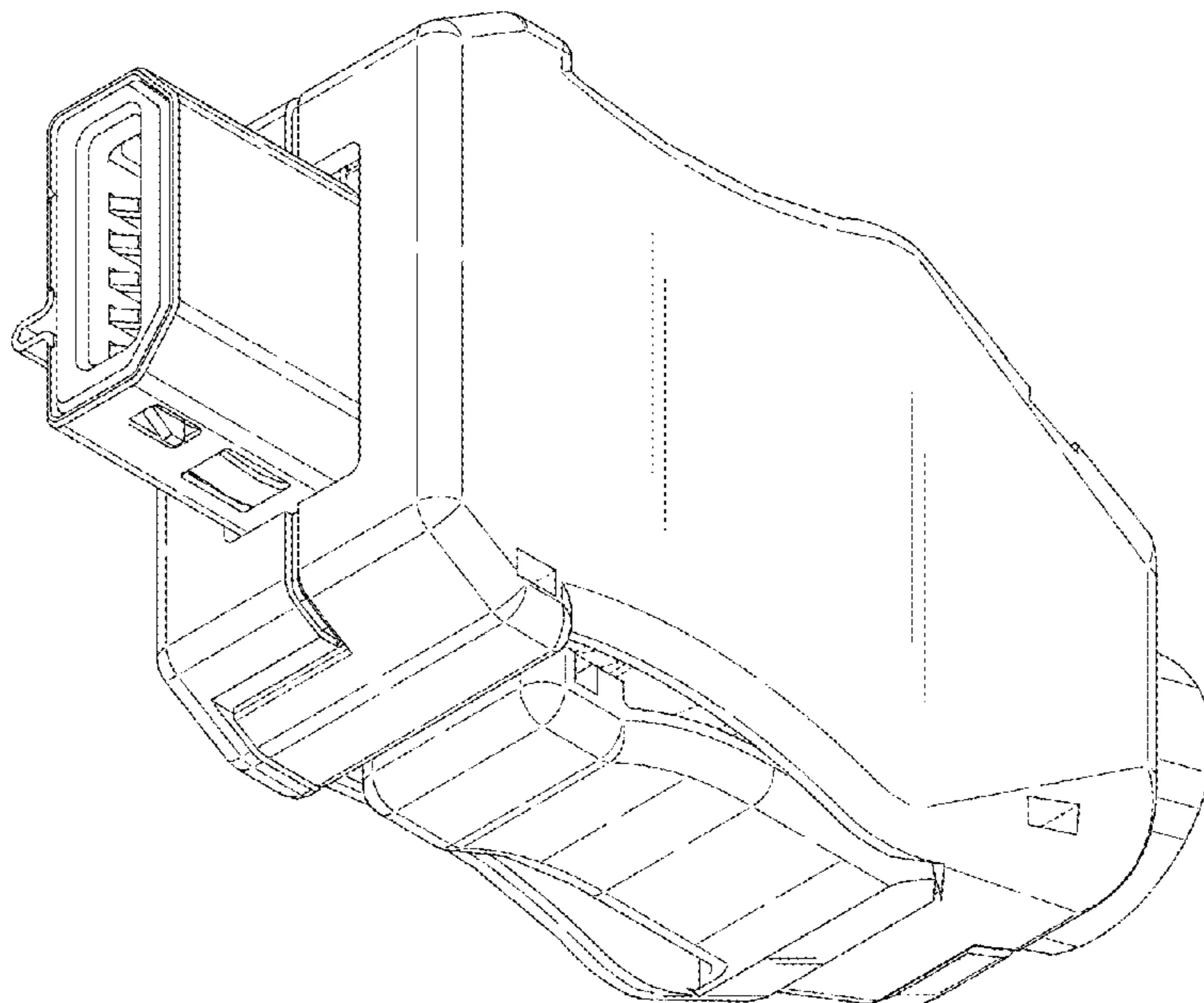


Fig. 1

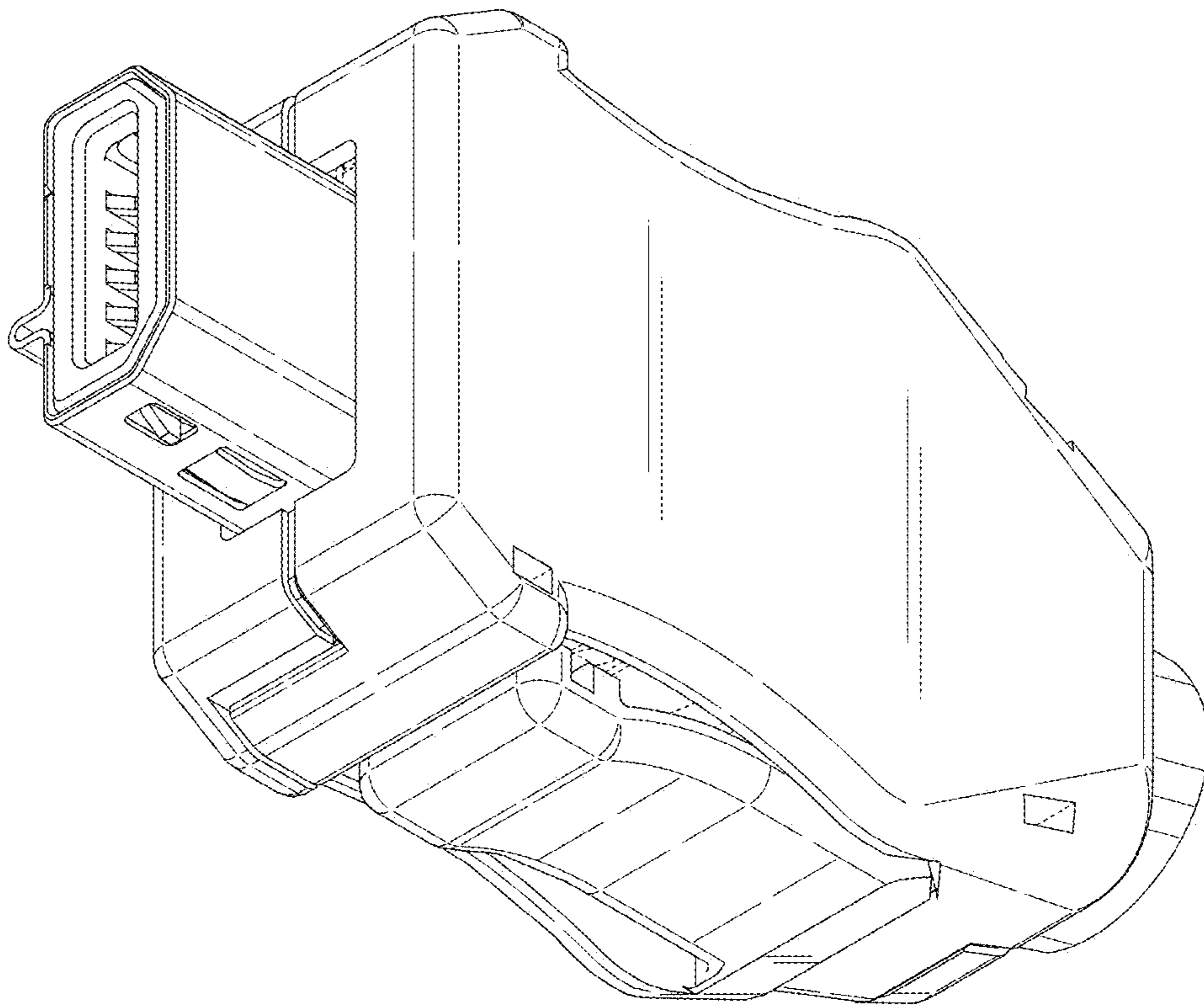


Fig. 2

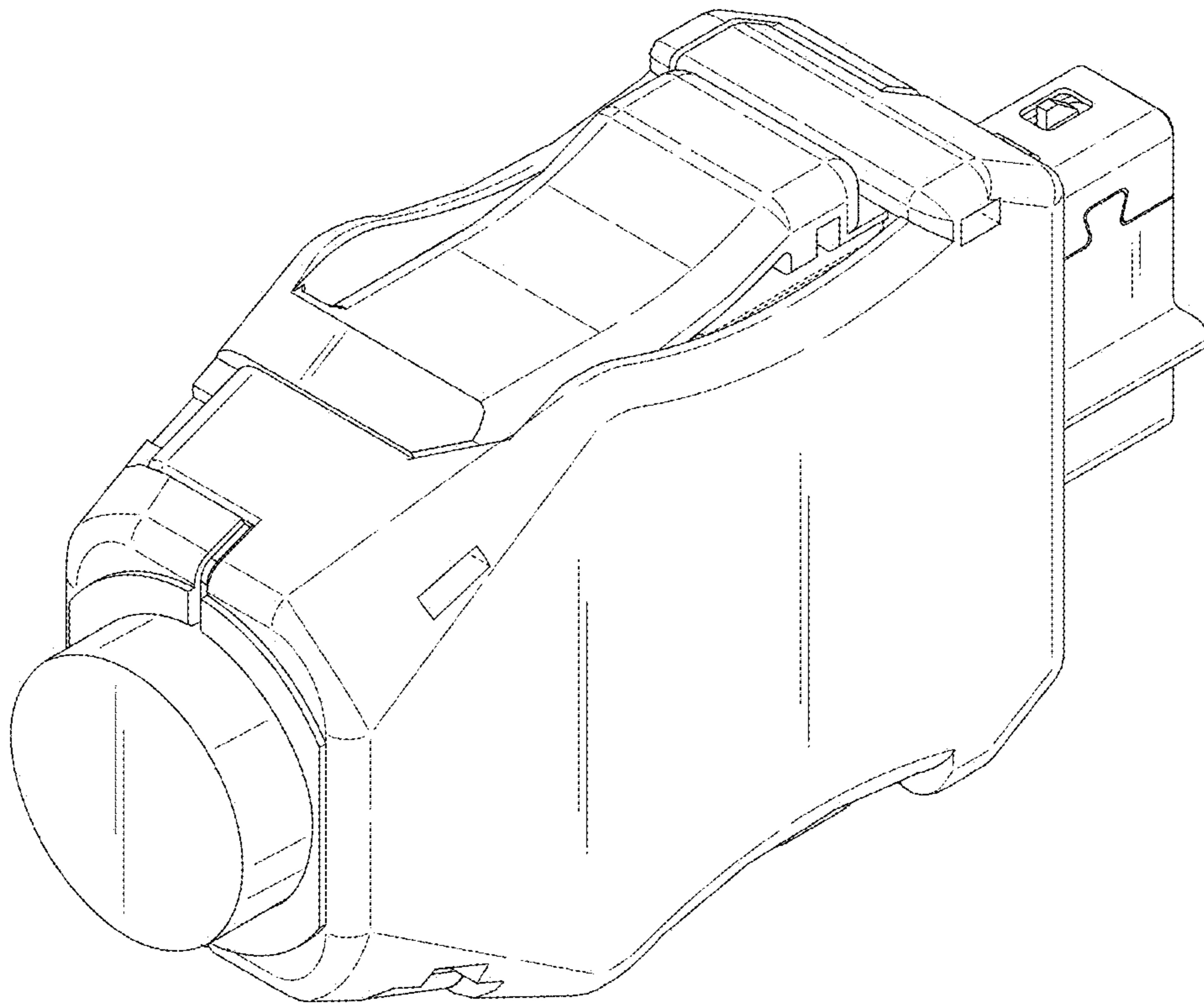


Fig. 3

Fig. 4

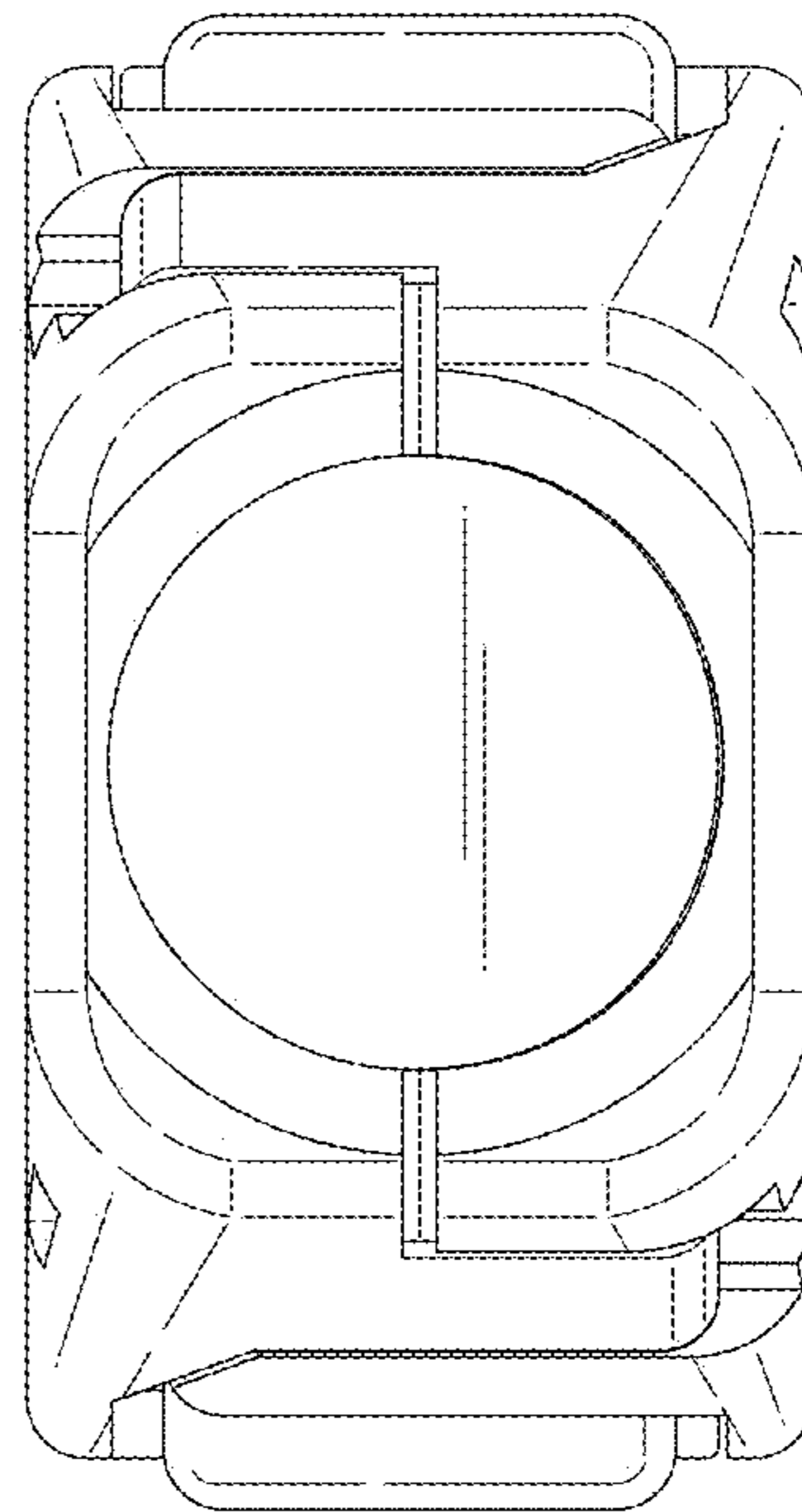
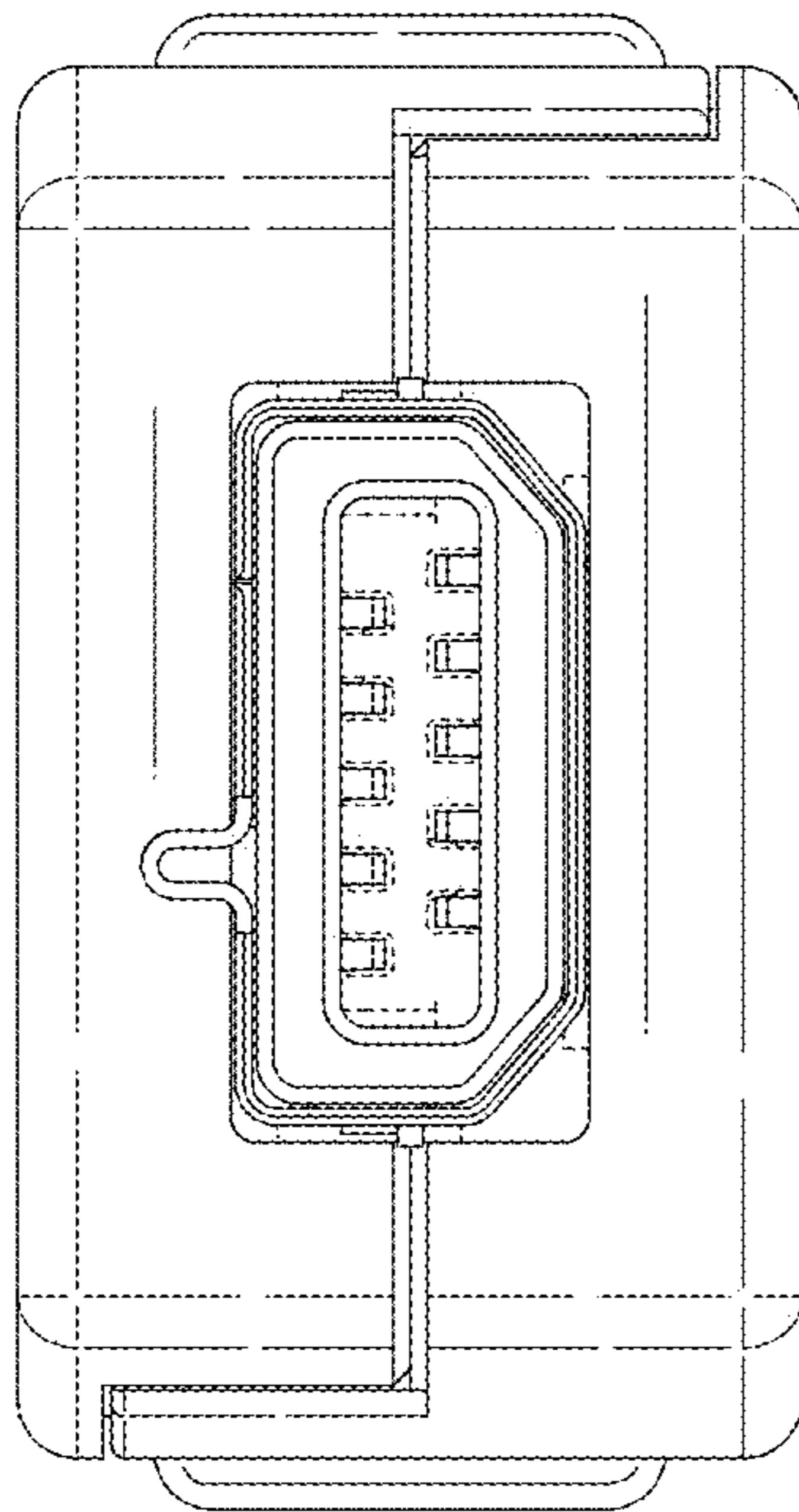


Fig. 5

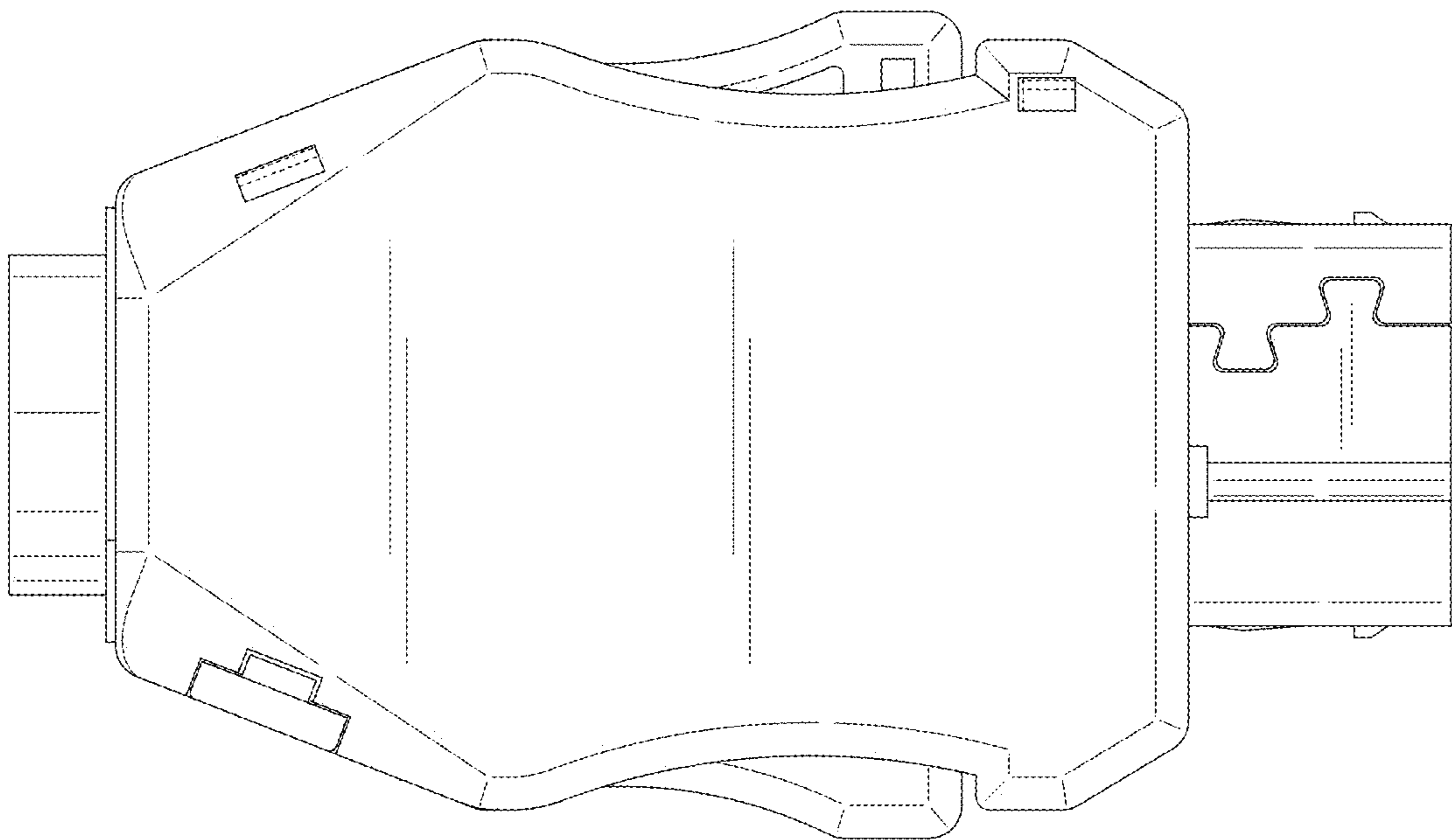


Fig. 6

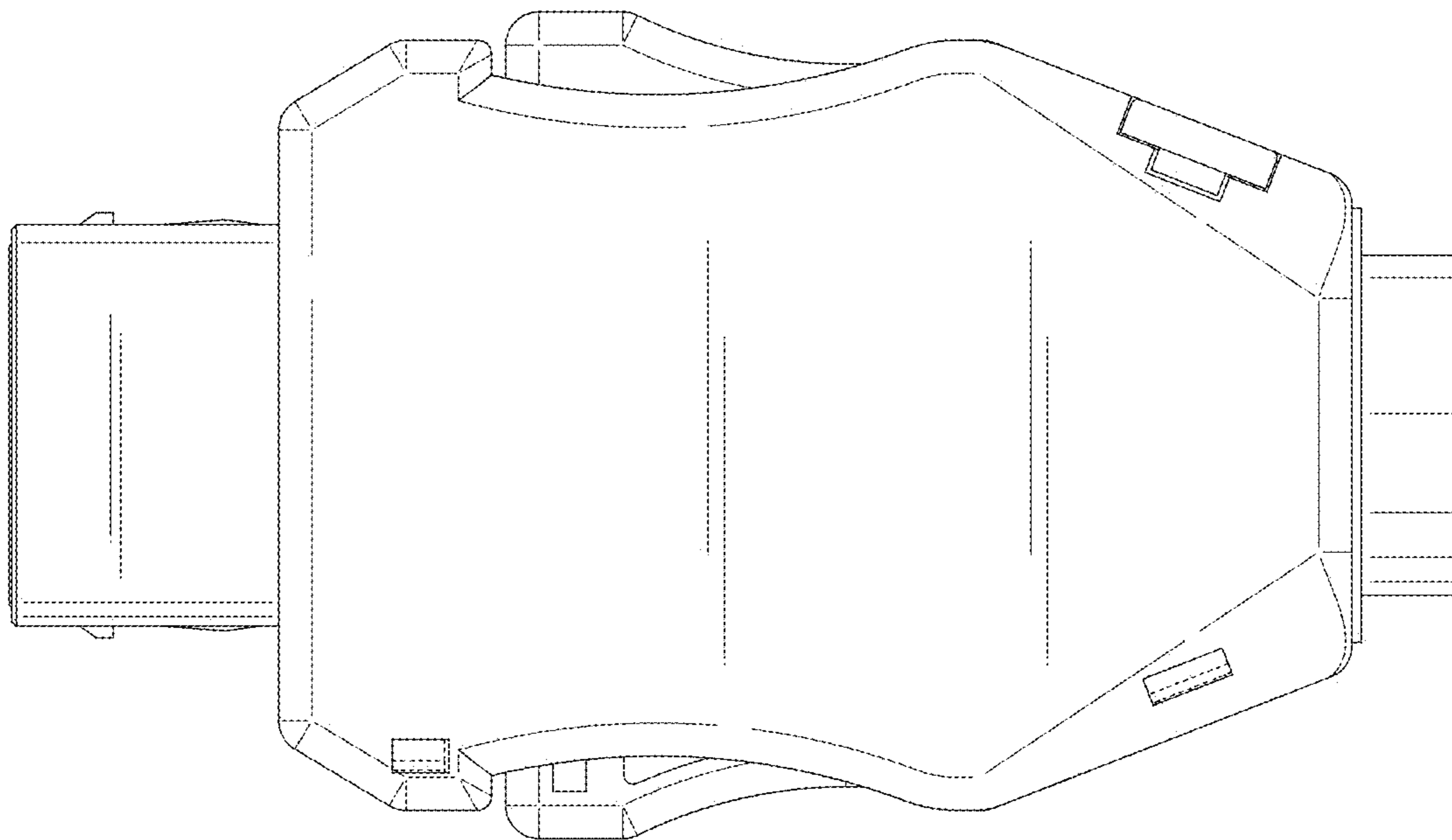


Fig. 7

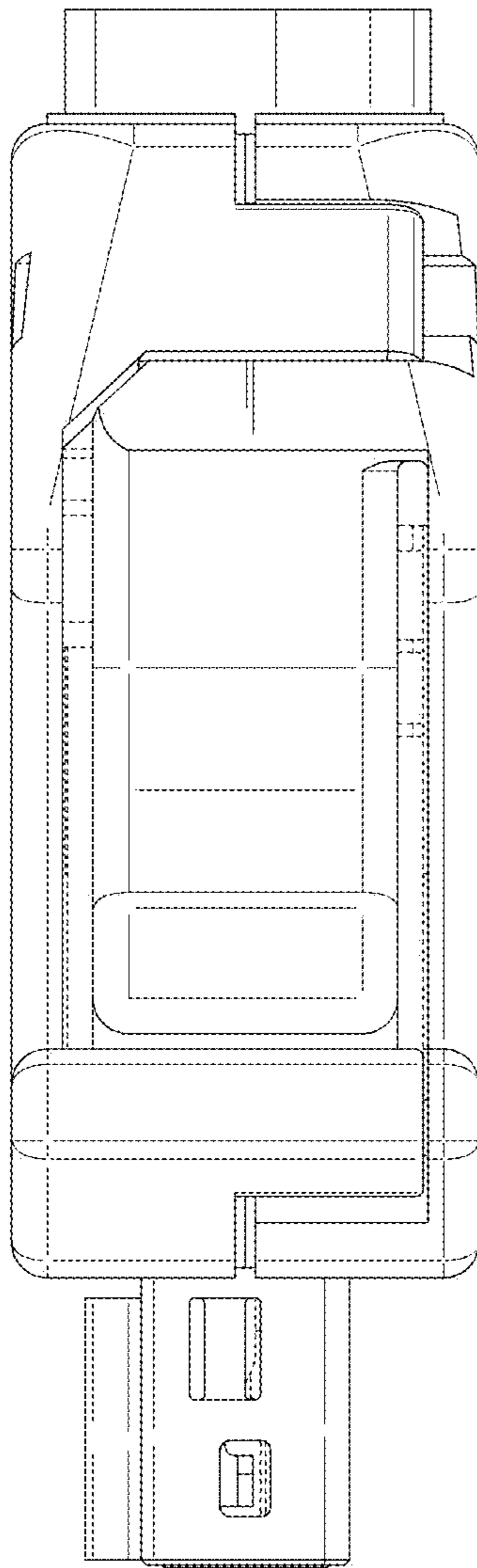


Fig. 8

