



US00D985502S

(12) **United States Design Patent**
Jhun et al.

(10) **Patent No.:** **US D985,502 S**
(45) **Date of Patent:** **** May 9, 2023**

(54) **CABLE CONNECTOR**

(71) Applicant: **Crestron Electronics, Inc.**, Rockleigh, NJ (US)

(72) Inventors: **Sae Jhun**, Bayside, NY (US); **Wendy Feldstein**, Old Tappan, NJ (US)

(73) Assignee: **Crestron Electronics, Inc.**, Rockleigh, NJ (US)

(**) Term: **15 Years**

(21) Appl. No.: **29/794,821**

(22) Filed: **Jun. 15, 2021**

(51) **LOC (14) Cl.** **13-03**

(52) **U.S. Cl.**
USPC **D13/133**

(58) **Field of Classification Search**
USPC ... D13/133, 101, 123, 146, 147, 153, 137.1, D13/149, 139.8; D14/433, 435.1
CPC G02B 6/38; G02B 6/38875; G02B 6/4284; H01R 13/40; H01R 13/58; H01R 13/627; H01R 13/66; H01R 13/6335; H01R 13/6272; H01R 13/6397; H01R 13/639; H01R 13/6275; H01R 31/06; H01R 24/00; H01R 24/64; H01R 43/26
See application file for complete search history.

(56) **References Cited**

U.S. PATENT DOCUMENTS

D363,700 S *	10/1995	Buongervino	D13/153
D415,733 S *	10/1999	Wu	D13/146
D494,930 S *	8/2004	Ishigami	D13/123
D508,462 S *	8/2005	Mazzullo	D13/133
D534,497 S *	1/2007	Mazzullo	D13/133
D624,920 S *	10/2010	Sheppard	D14/435.1
7,815,450 B1 *	10/2010	Chen	H01R 27/00 439/172
D692,390 S *	10/2013	Smith	D13/133
D753,662 S *	4/2016	Arrington	D14/433

D832,848 S *	11/2018	Chan	D14/433
D886,826 S *	6/2020	Zhan	D14/433
D900,031 S *	10/2020	Song	D13/133
D910,578 S *	2/2021	Turksu	D14/433
D920,256 S *	5/2021	Turksu	D13/147

(Continued)

OTHER PUBLICATIONS

Unitek 4-Port USB 3.0 Hub, available in Amazon.com, date first available Oct. 10, 2018 [online], [site visited Jan. 3, 2022], Available from the internet URL: <https://www.amazon.com/Unitek-Charging-Extension-Connector-Compatible/dp/B07G9CXS1?th=1> (Year: 2018).*

(Continued)

Primary Examiner — S. Bryan Reinholdt, Jr.
Assistant Examiner — Leah E Hoeferkamp
(74) *Attorney, Agent, or Firm* — Crestron Electronics, Inc.; Nancy Swanson

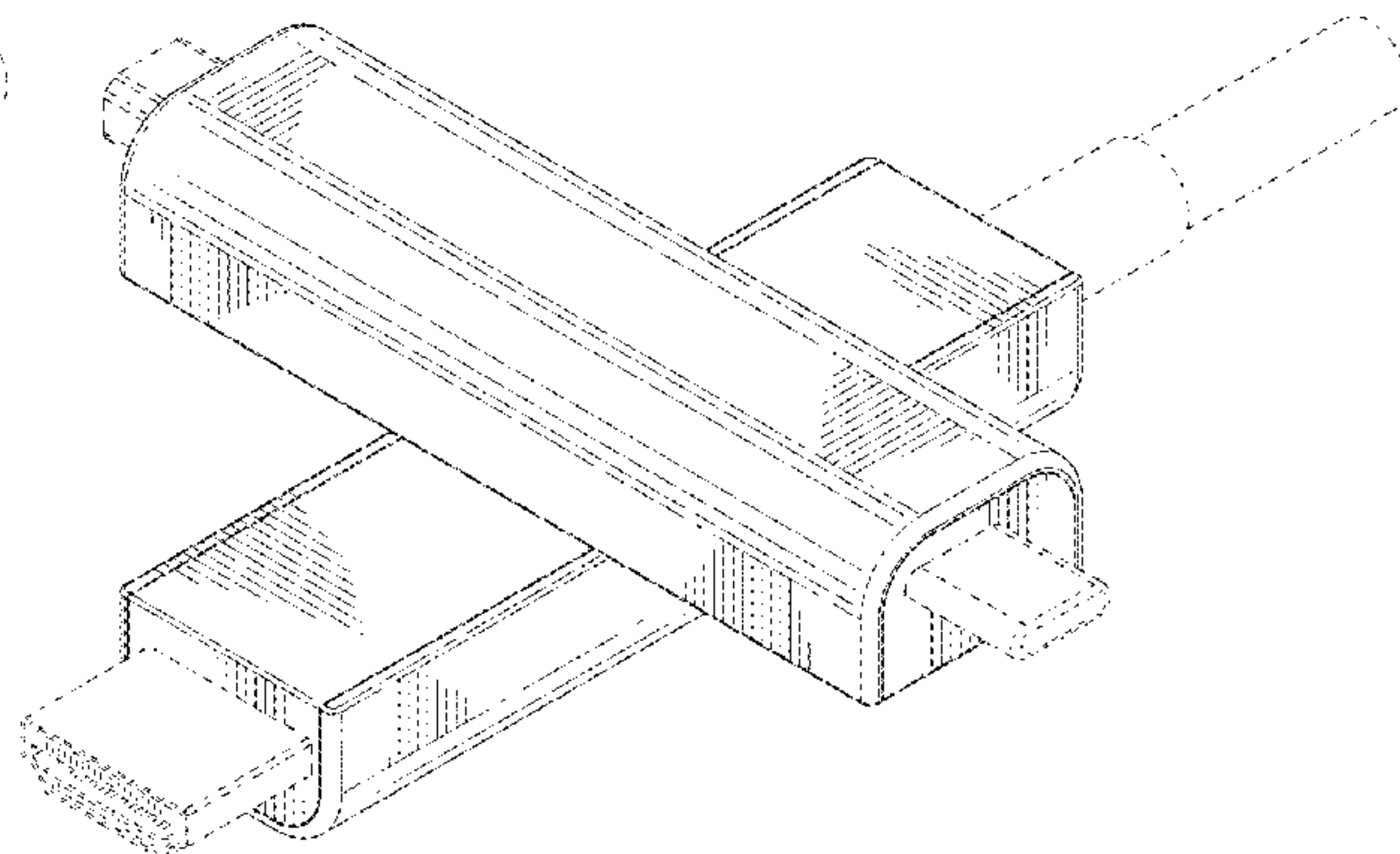
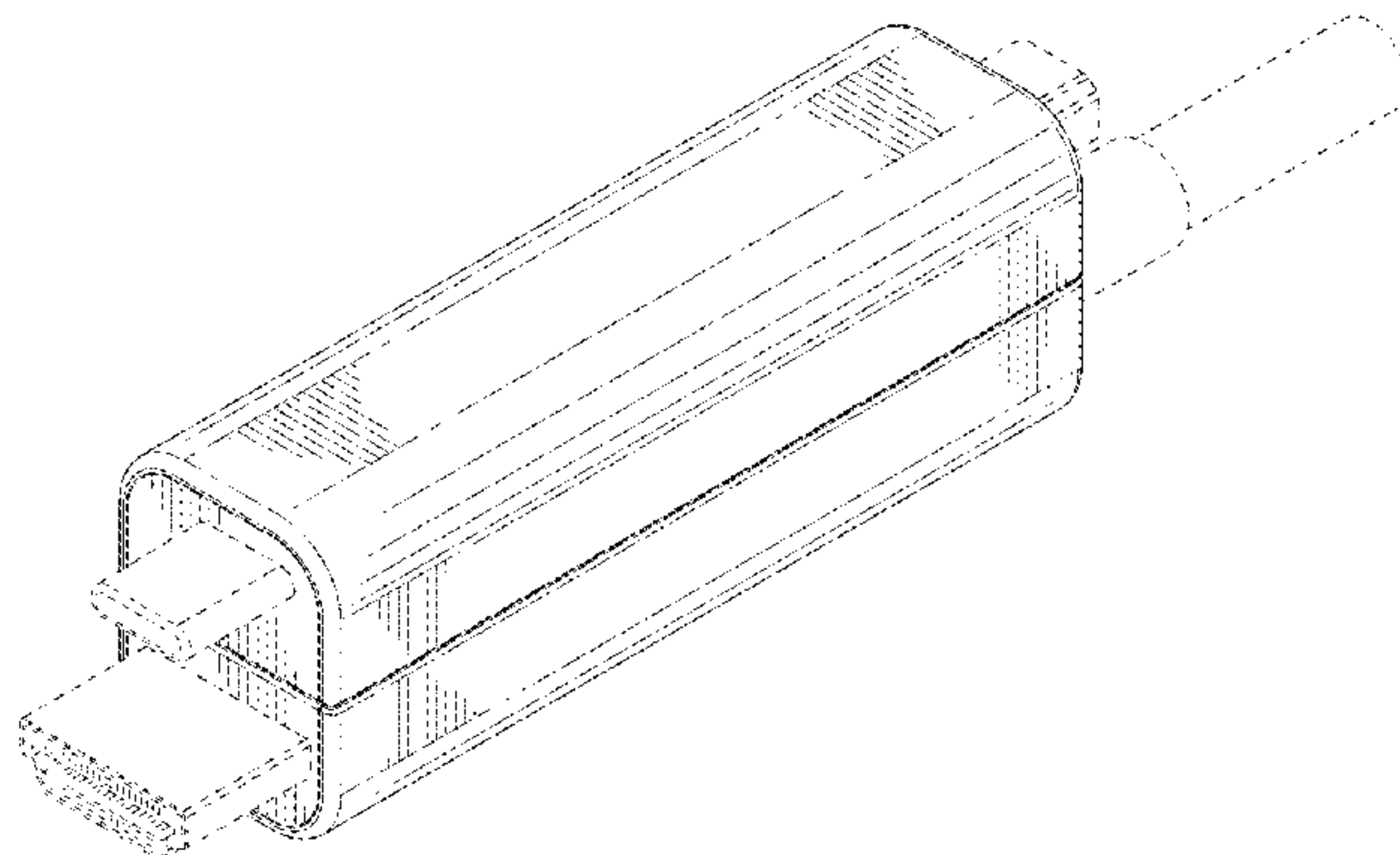
(57) **CLAIM**

The ornamental design for a cable connector, as shown and described.

DESCRIPTION

FIG. 1 is a top-right perspective view of a cable connector according to our new design;
FIG. 2 is another top-right perspective view thereof;
FIG. 3 is a top perspective view shown in a state of use thereof;
FIG. 4 is a front elevation view thereof;
FIG. 5 is a back elevation view thereof;
FIG. 6 is a right elevation view thereof;
FIG. 7 is a left elevation view thereof;
FIG. 8 is a top plan view thereof; and,
FIG. 9 is a bottom plan view thereof.
The broken lines in the drawings illustrate portions of the article and environmental subject that form no part of the claimed design.

1 Claim, 5 Drawing Sheets



(56)

References Cited

U.S. PATENT DOCUMENTS

D929,997 S * 9/2021 Liu D14/433
D940,144 S * 1/2022 Zhang D14/433
D960,164 S * 8/2022 Yang D14/433
D970,506 S * 11/2022 Yoo D13/133
2010/0151732 A1 * 6/2010 Xu H01R 13/6658
439/607.45

OTHER PUBLICATIONS

USB Wall Charger, available in Amazon.com, date first available Feb. 23, 2018 [online], [site visited Jan. 3, 2022], Available from the internet URL: <https://www.amazon.com/dp/B075L64BZM/> (Year: 2018).*

“5+ Must See USB-C iPad Pro Accessories”, <https://www.iphoneness.com/lists/usb-c-accessories-ipad-pro-2018/>.

“24W Dual USB-A Wall Charger + Lightning to USB-A Cable | Belkin”, <https://www.belkin.com/uschargers/wall/boost-charge-dual-usb-a-wall-charger-24w-lightning-to-usb-a-cable/p/p-wcd001/>.

“Type-C USB 3.0 Micro_SD Card Reader—Satechi”, <https://satechi.net/products/satechi-aluminum-type-c-usb-3-0-and-micro-sd-card-reader-for-type-c-devices?variant=27068771401>.

* cited by examiner

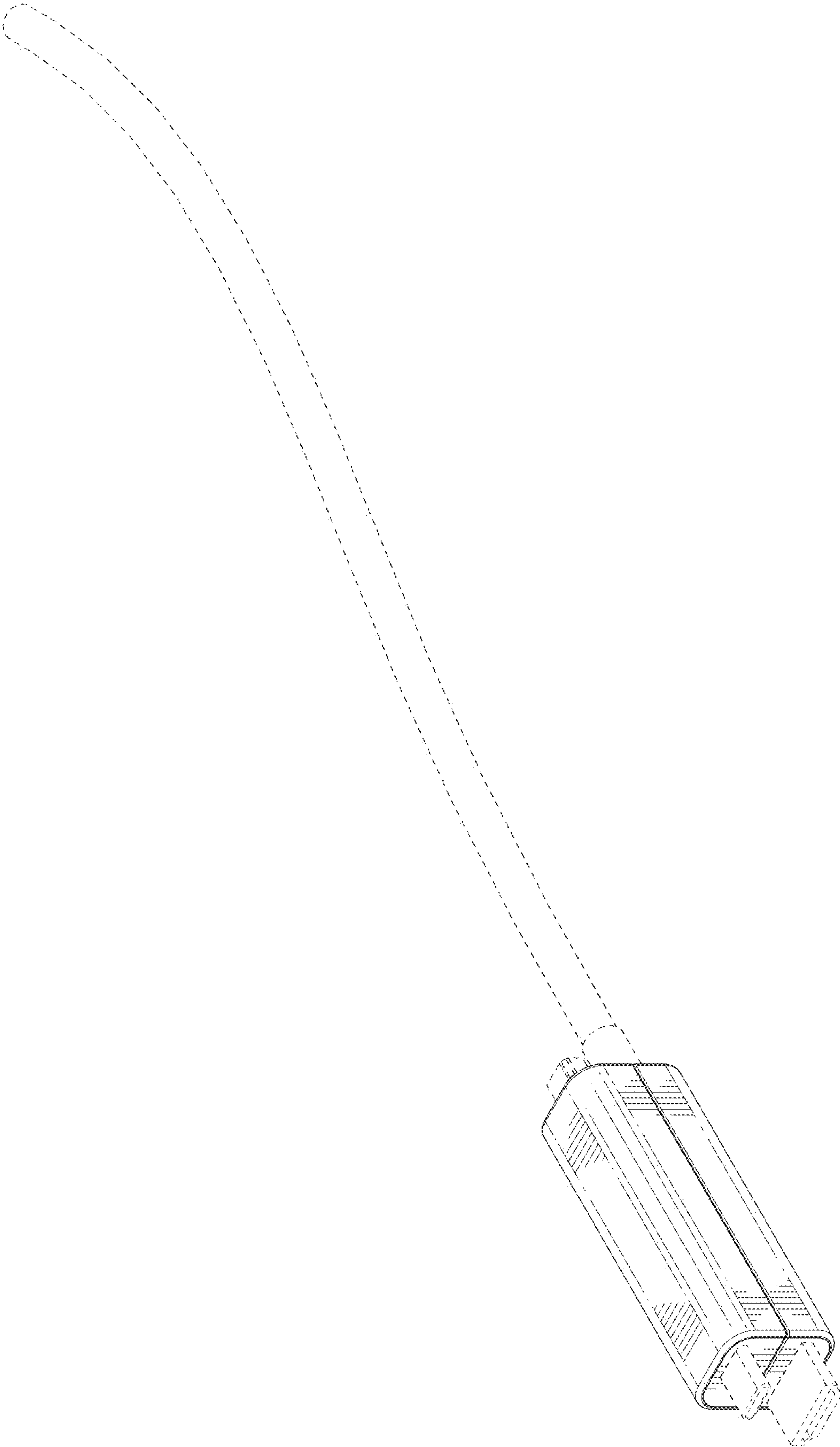


FIG. 1

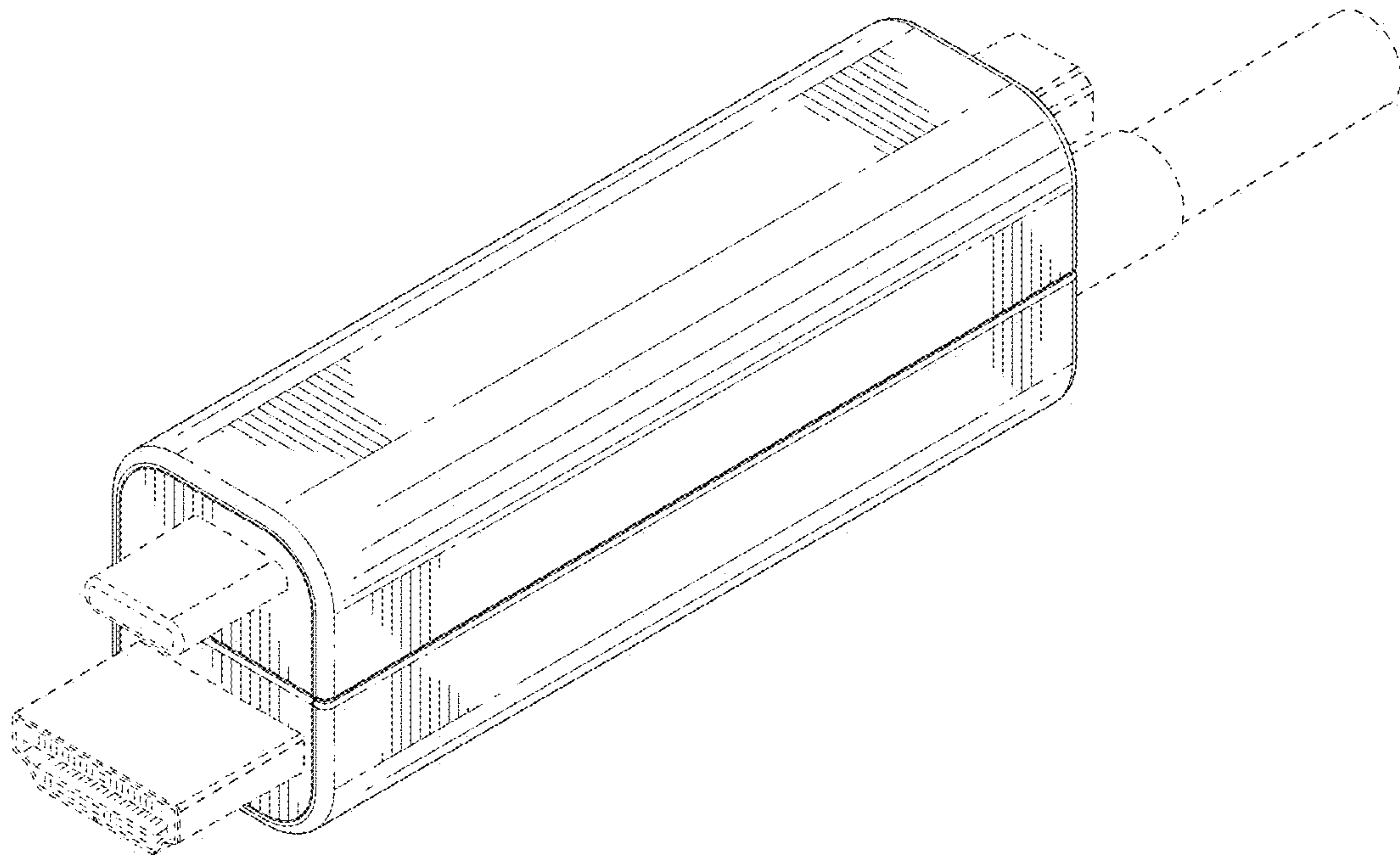


FIG. 2

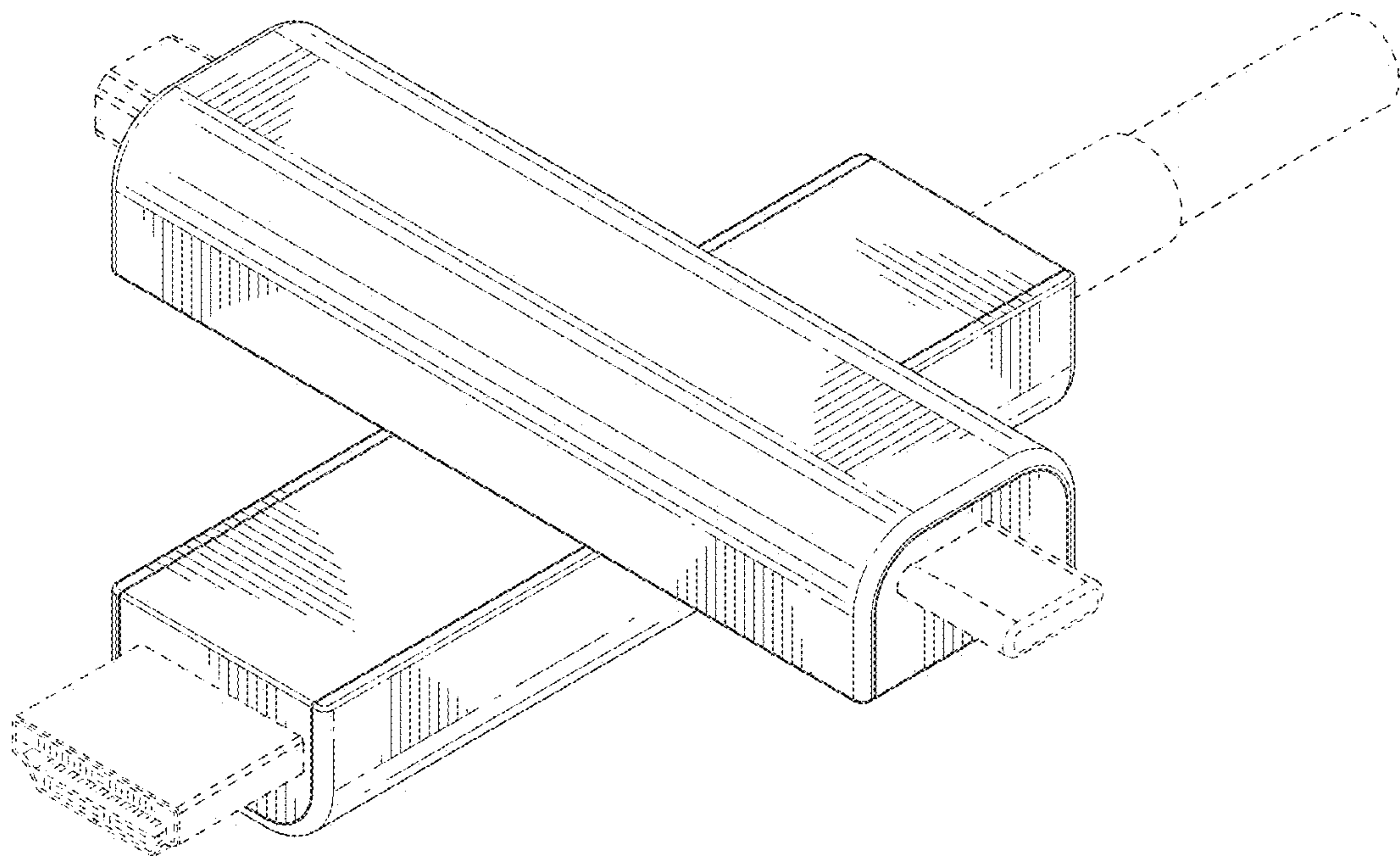


FIG. 3

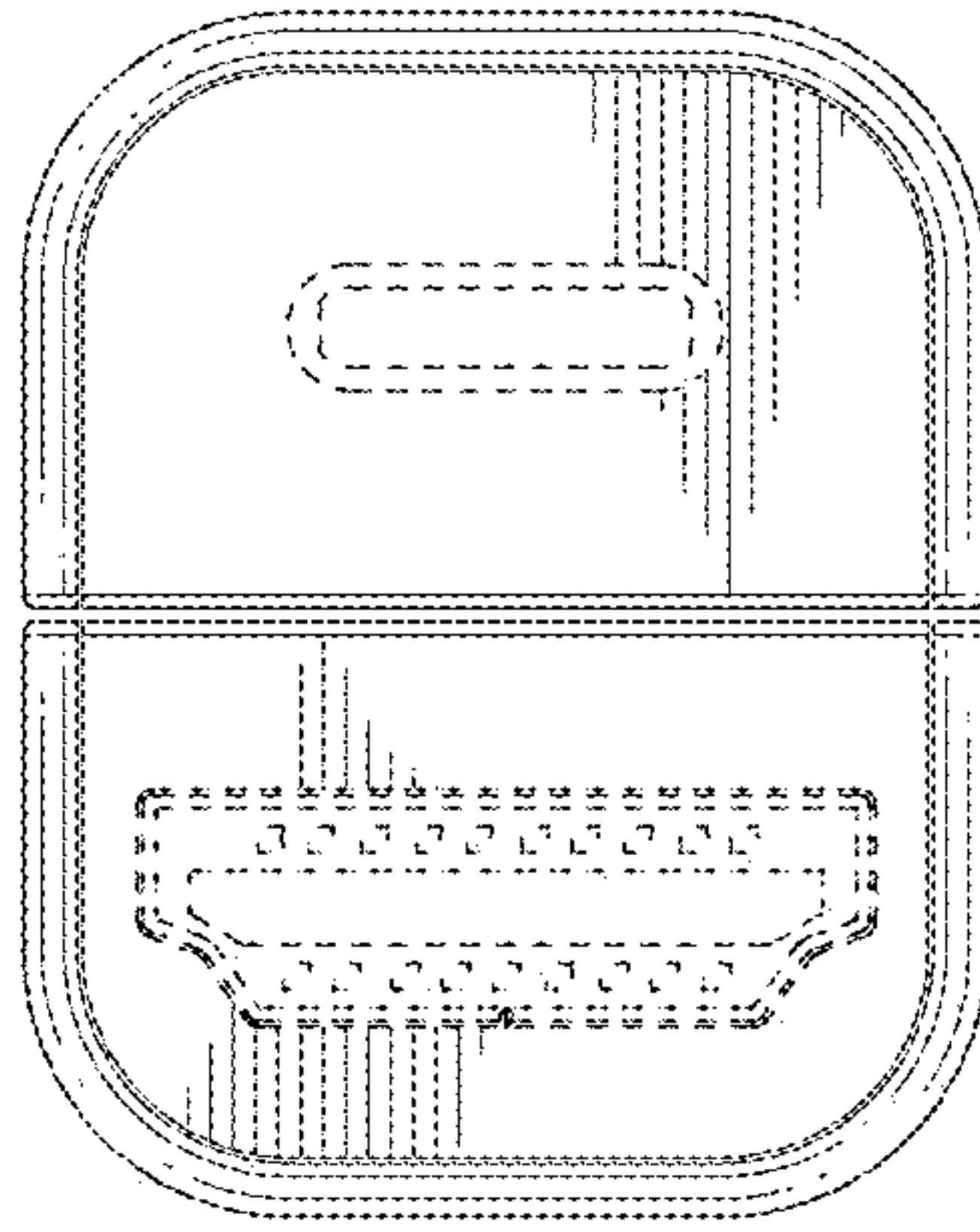


FIG. 4

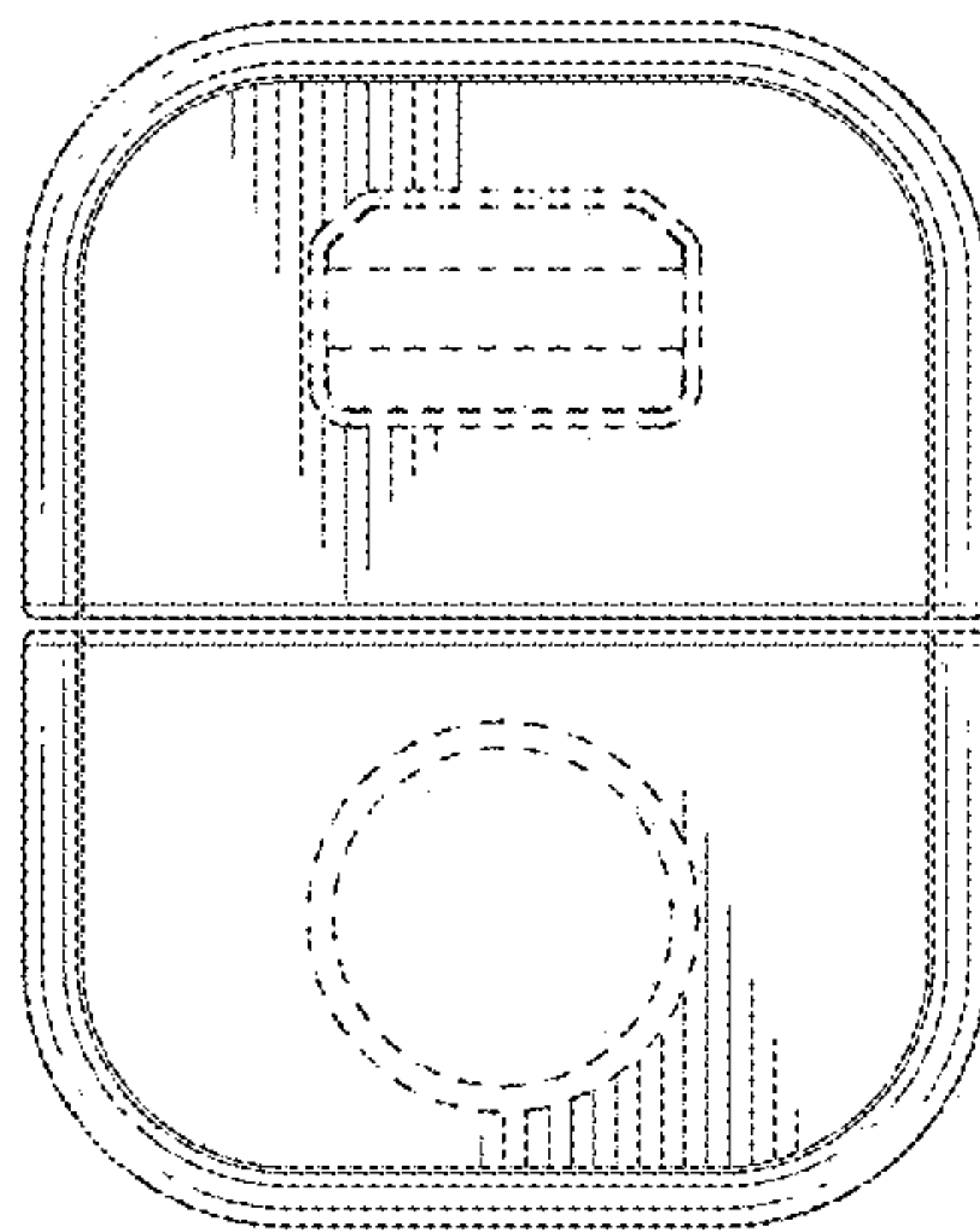


FIG. 5

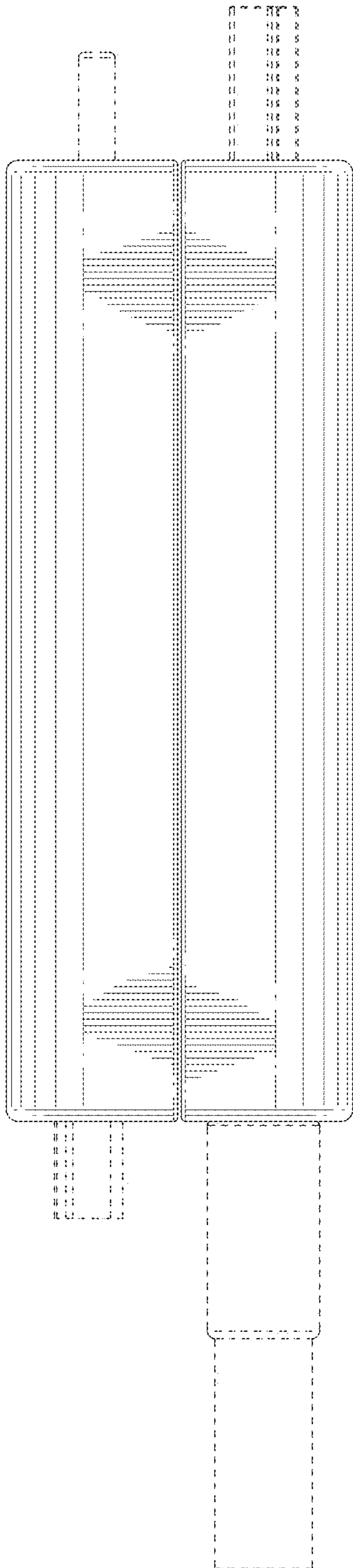


FIG. 6

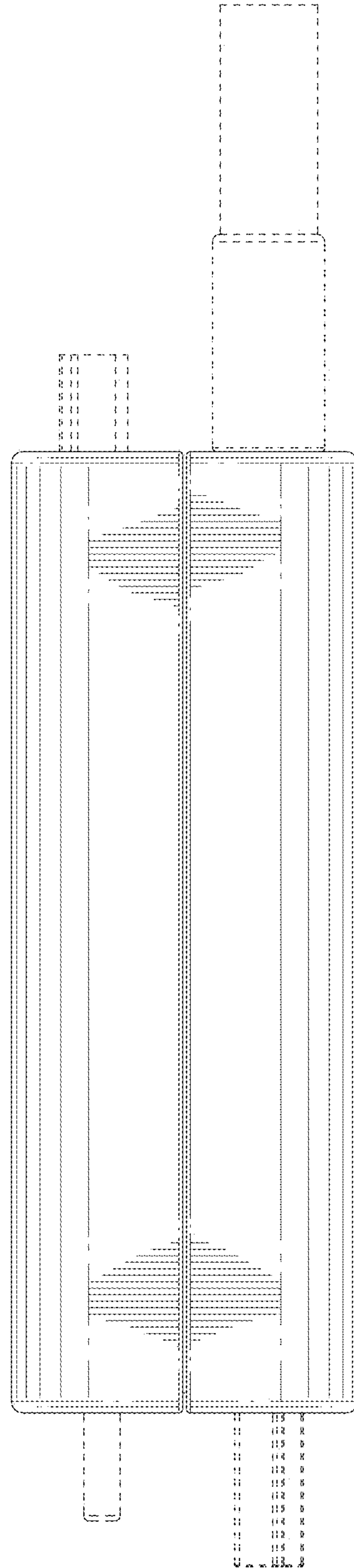


FIG. 7

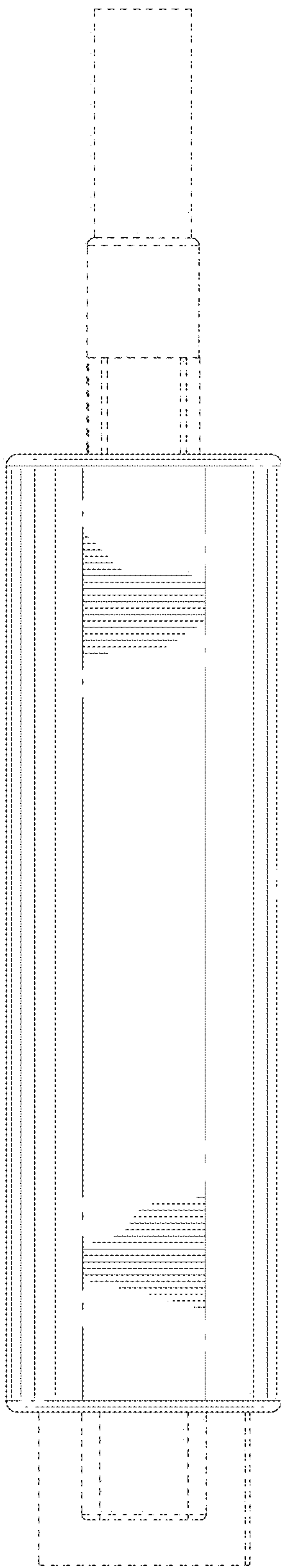


FIG. 8

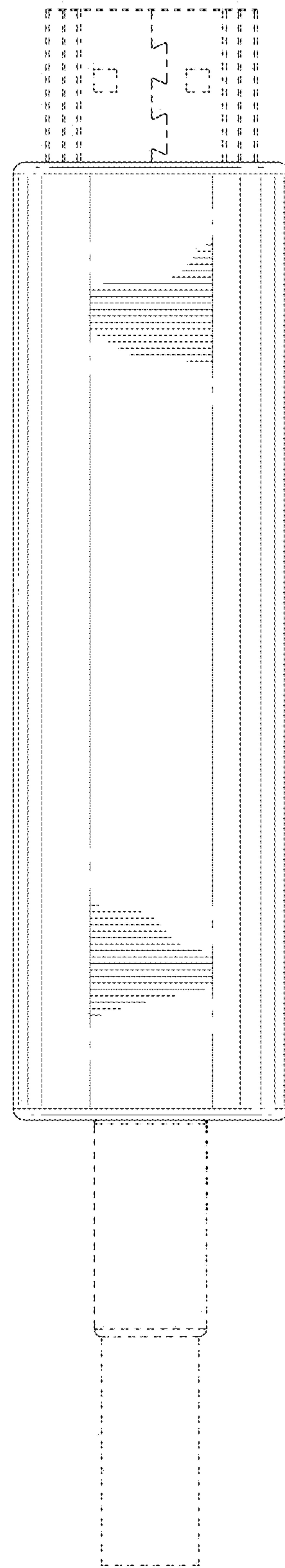


FIG. 9