



US00D985501S

(12) **United States Design Patent**
Obata

(10) **Patent No.:** **US D985,501 S**

(45) **Date of Patent:** **** May 9, 2023**

(54) **CONNECTOR**

(71) Applicant: **Japan Aviation Electronics Industry, Limited**, Tokyo (JP)

(72) Inventor: **Yusuke Obata**, Tokyo (JP)

(73) Assignee: **JAPAN AVIATION ELECTRONICS INDUSTRY, LIMITED**, Tokyo (JP)

(**) Term: **15 Years**

(21) Appl. No.: **29/785,132**

(22) Filed: **May 24, 2021**

(30) **Foreign Application Priority Data**

Feb. 2, 2021 (JP) 2021-002242 D

(51) **LOC (14) Cl.** **13-03**

(52) **U.S. Cl.**
USPC **D13/133**

(58) **Field of Classification Search**
USPC ... D13/133, 101, 123, 146, 147, 153, 137.1,
D13/149

CPC G02B 6/38; G02B 6/38875; G02B 6/4284;
H01R 13/40; H01R 13/58; H01R 13/627;
H01R 13/66; H01R 31/06; H01R 24/00
See application file for complete search history.

(56) **References Cited**

U.S. PATENT DOCUMENTS

D379,620	S	*	6/1997	Aramaki	D13/147
D416,863	S	*	11/1999	Sato	D13/147
D416,865	S	*	11/1999	Chiou	D13/147
D418,479	S	*	1/2000	Chiou	D13/147
6,083,046	A	*	7/2000	Wu	H01R 13/6582 439/607.4
D434,386	S	*	11/2000	Wu	D13/147
D466,481	S	*	12/2002	Wu	D13/147
D470,109	S	*	2/2003	Yokoyama	D13/147

D472,219	S	*	3/2003	Miura	D13/147
D492,935	S	*	7/2004	Mitsubishi	D13/147
D518,443	S	*	4/2006	Kawahara	D13/147
D518,789	S	*	4/2006	Sakamaki	D13/147
D563,889	S	*	3/2008	Higeta	D13/147
D578,071	S	*	10/2008	Shen	D13/147
D608,291	S	*	1/2010	Ikari	D13/147
D662,891	S	*	7/2012	Sasada	D13/147
D748,589	S	*	2/2016	Endo	D13/147
D877,700	S	*	3/2020	Buck	D13/133
D897,964	S	*	10/2020	Kuroiwa	D13/147
D960,105	S	*	8/2022	Imamura	D13/133

* cited by examiner

Primary Examiner — Christy Nemeth

Assistant Examiner — Leah E Hoferkamp

(74) *Attorney, Agent, or Firm* — Manabu Kanesaka

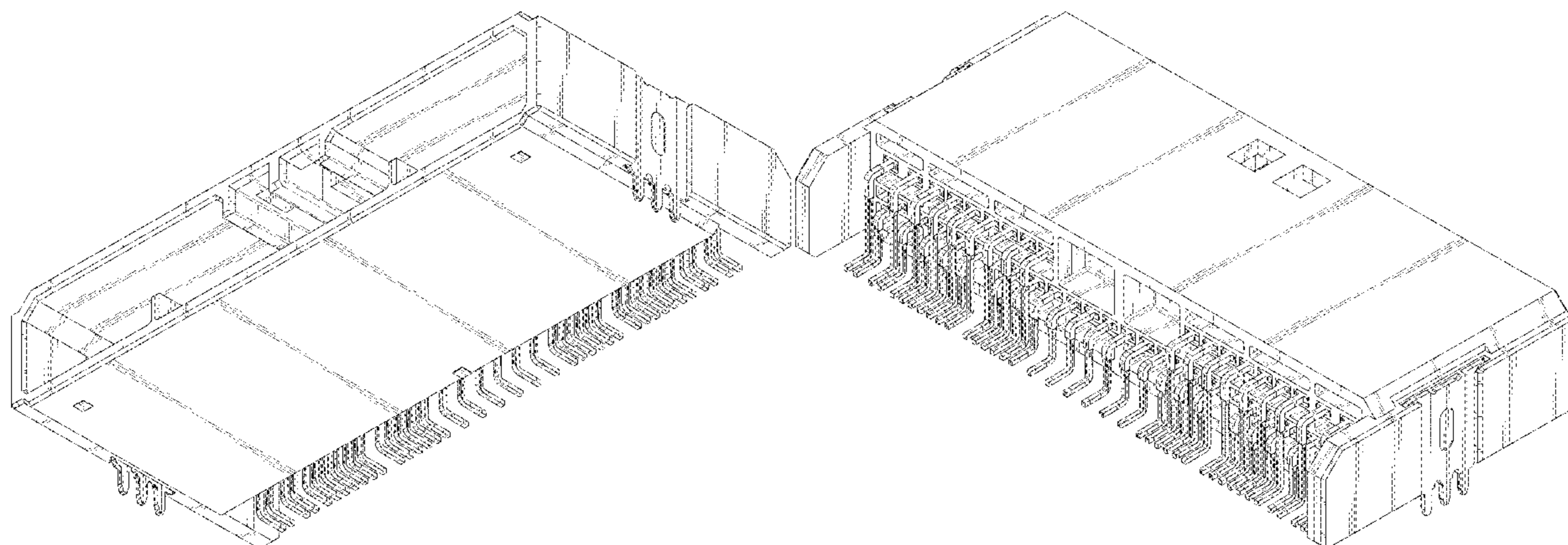
(57) **CLAIM**

The ornamental design for a connector, as shown and described.

DESCRIPTION

FIG. 1 is a front elevational view of a connector showing my new design;
 FIG. 2 is a rear elevational view thereof;
 FIG. 3 is a right side elevational view thereof;
 FIG. 4 is a left side elevational view thereof;
 FIG. 5 is a top plan view thereof;
 FIG. 6 is a bottom plan view thereof;
 FIG. 7 is a front, top, and right side perspective view thereof;
 FIG. 8 is a rear, bottom, and left side perspective view thereof;
 FIG. 9 is a front, right, and bottom side perspective view thereof; and,
 FIG. 10 is a rear, left, and top side perspective view thereof.
 The broken line showing of the connector is for the purpose of illustrating portions of the article and forms no part of the claimed design.

1 Claim, 8 Drawing Sheets



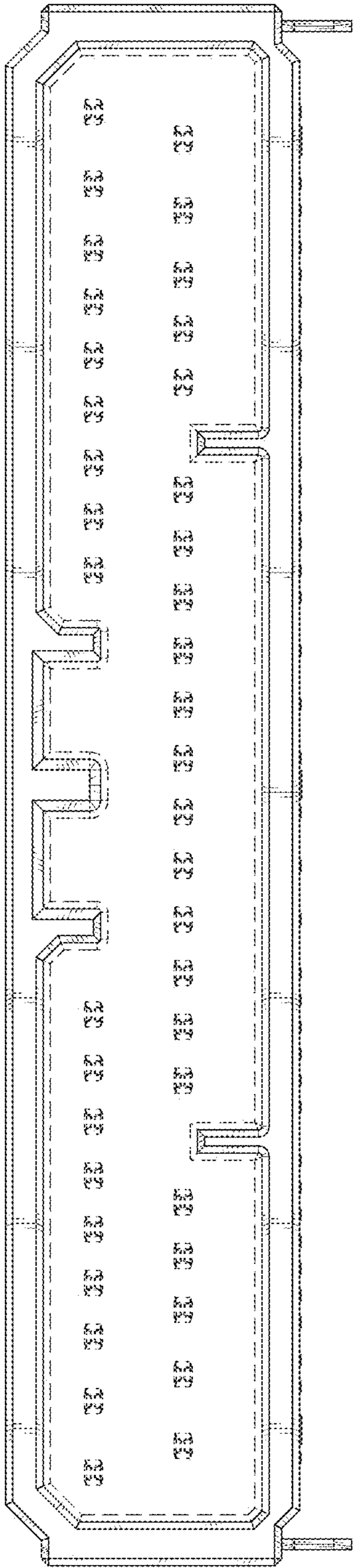


FIG. 1

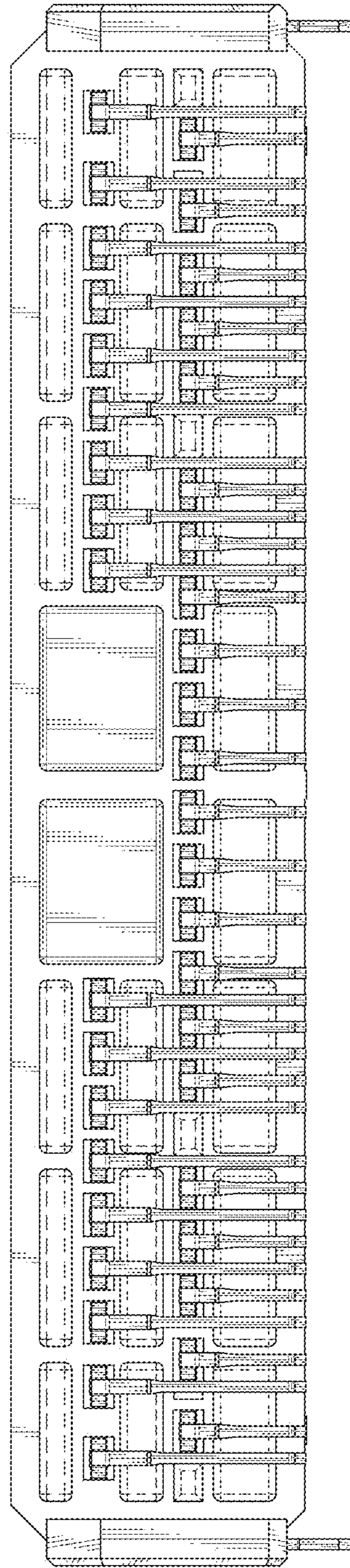


FIG. 2

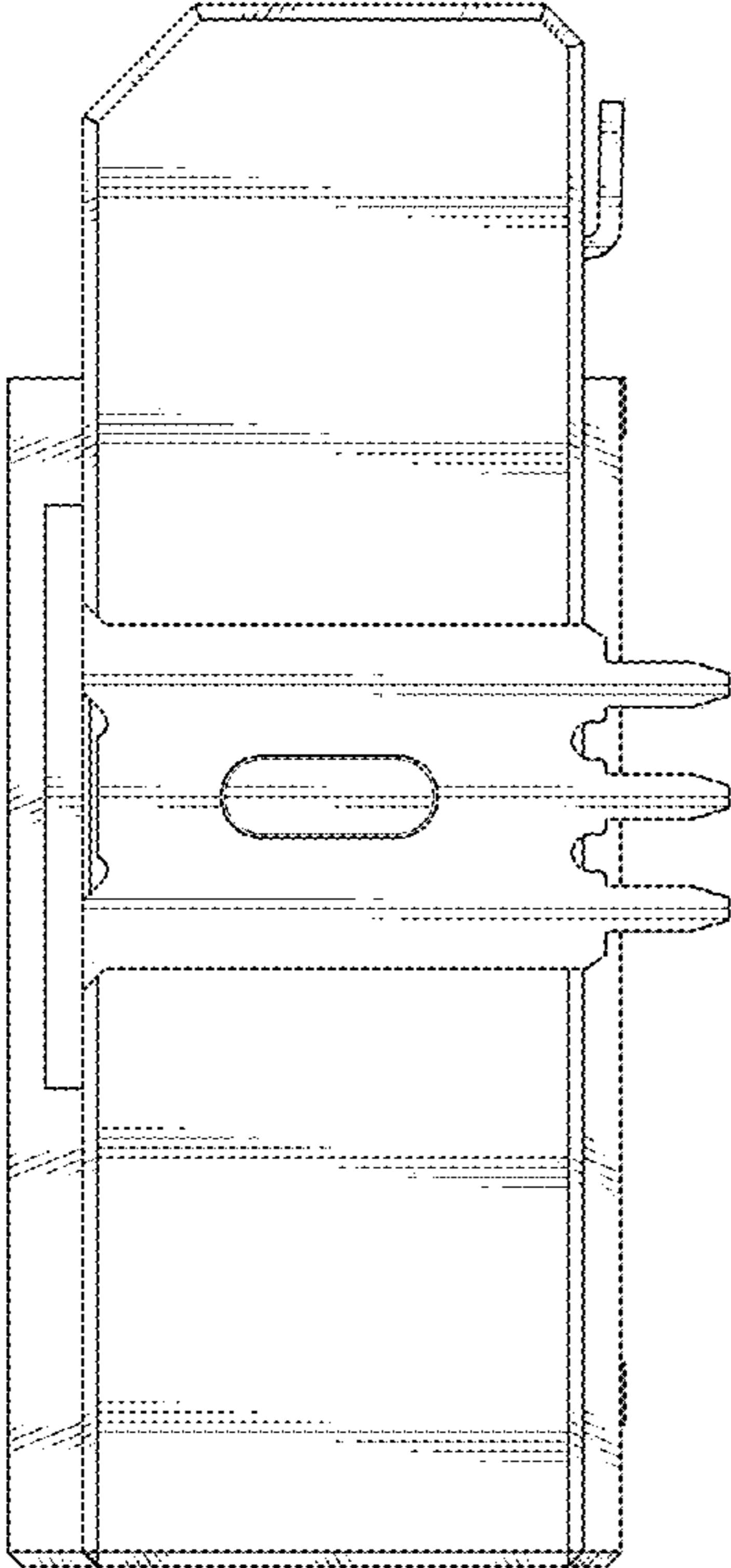


FIG. 3

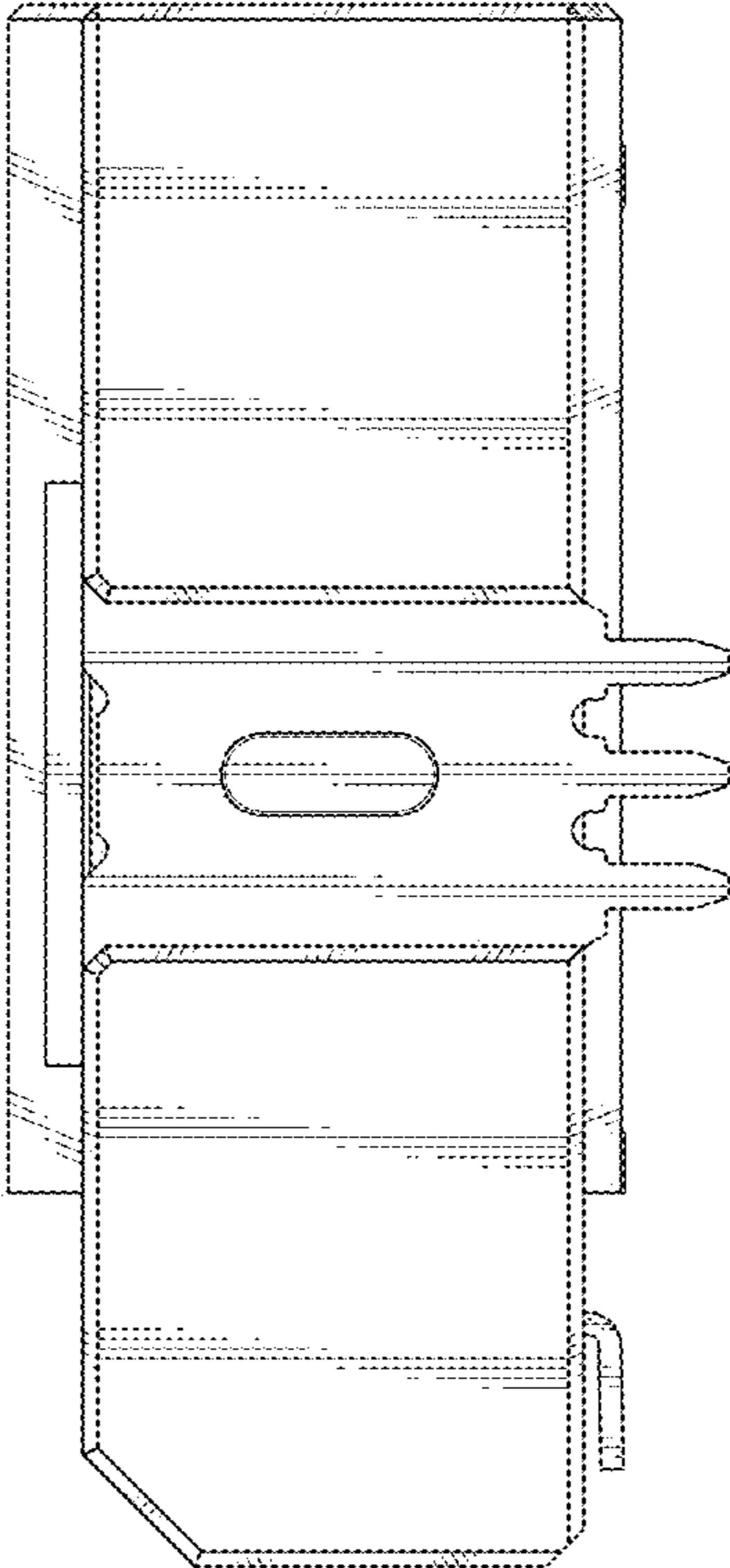


FIG. 4

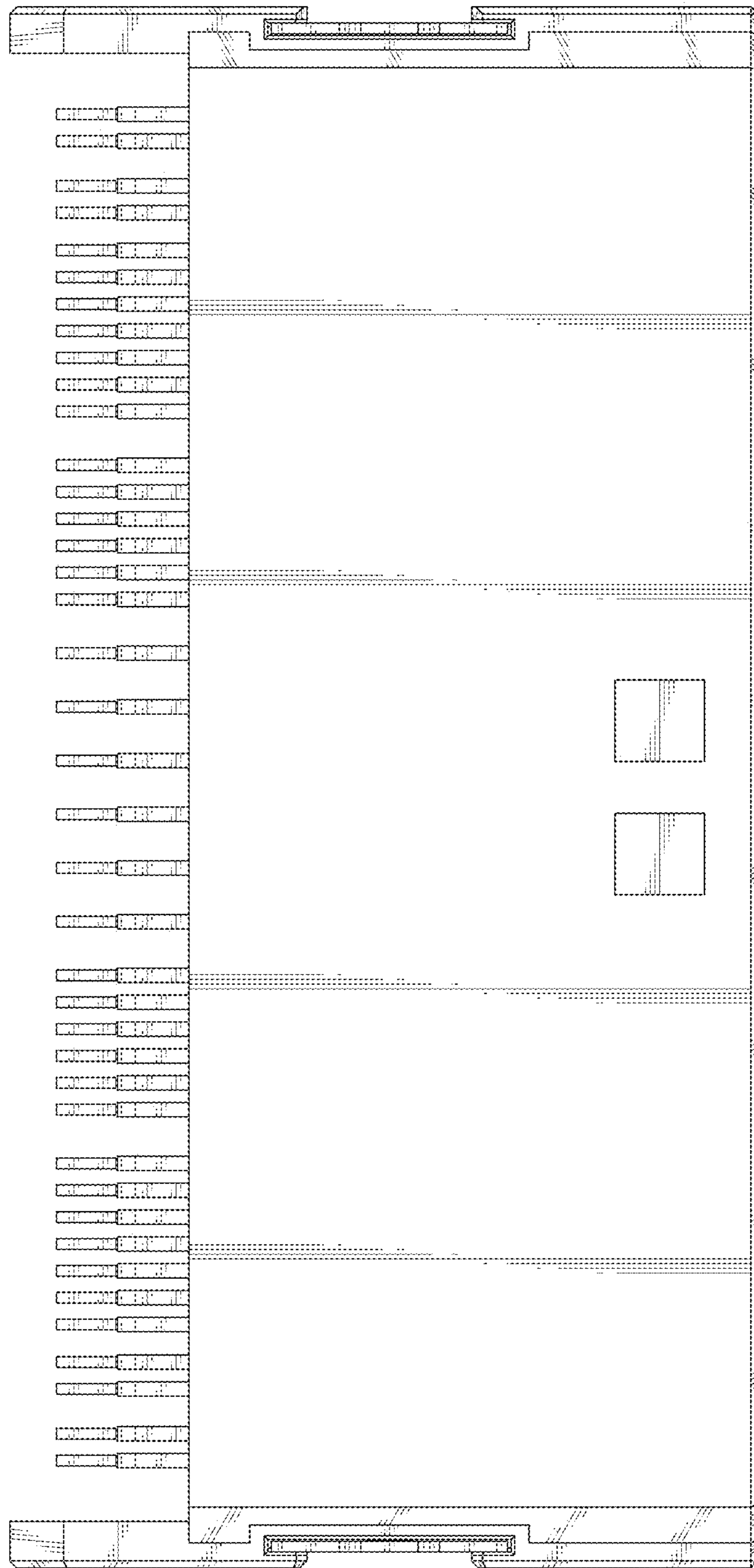


FIG. 5

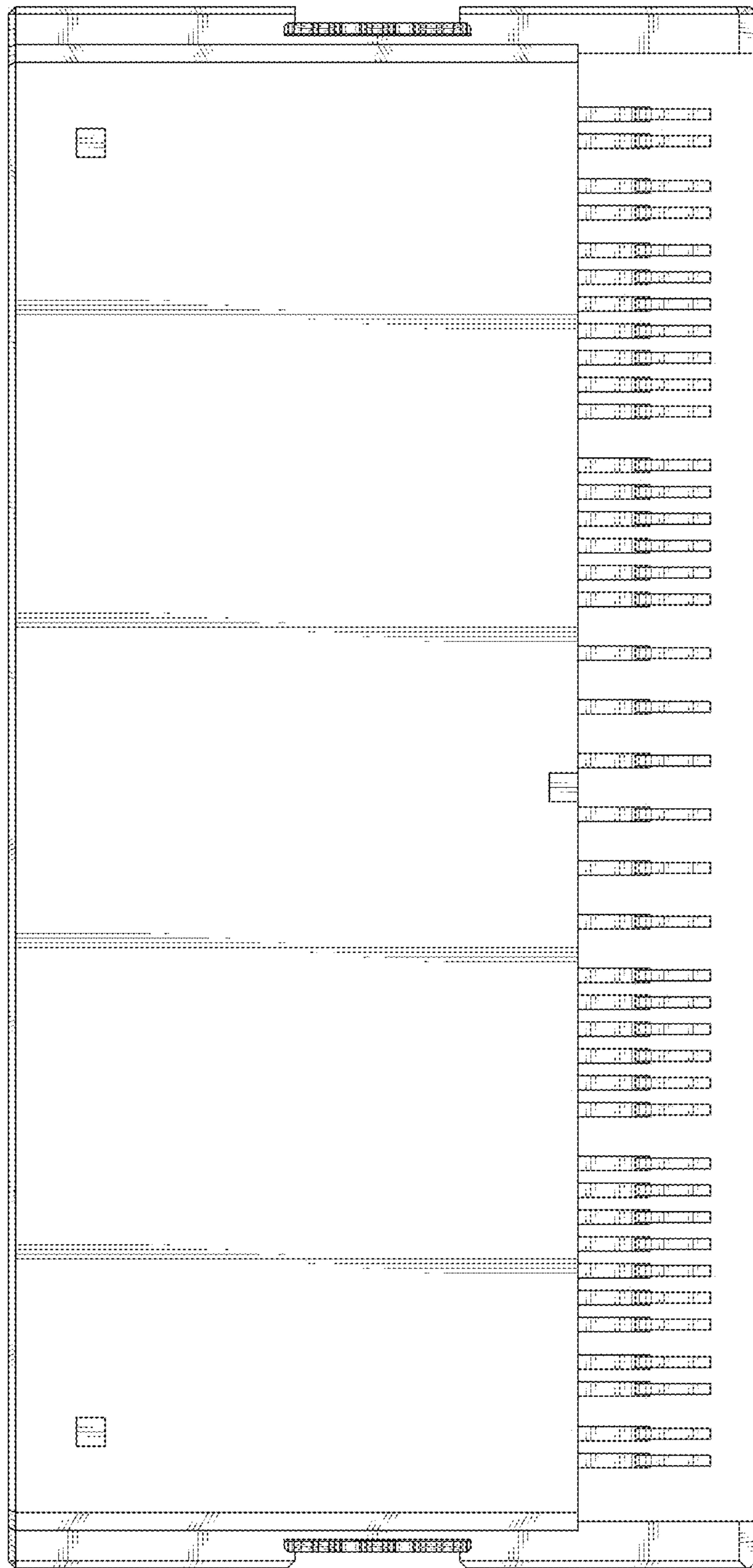


FIG. 6

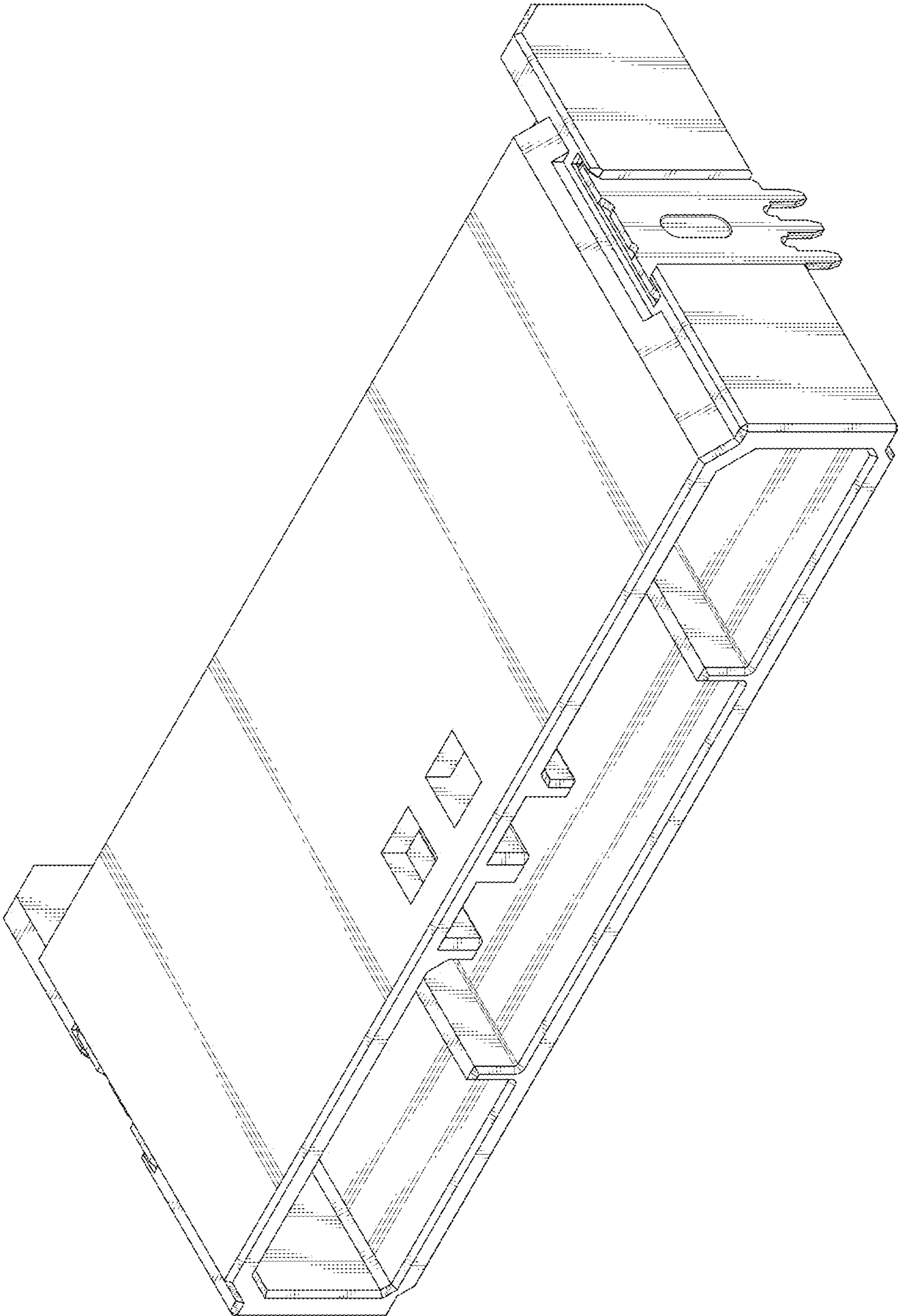


FIG. 7

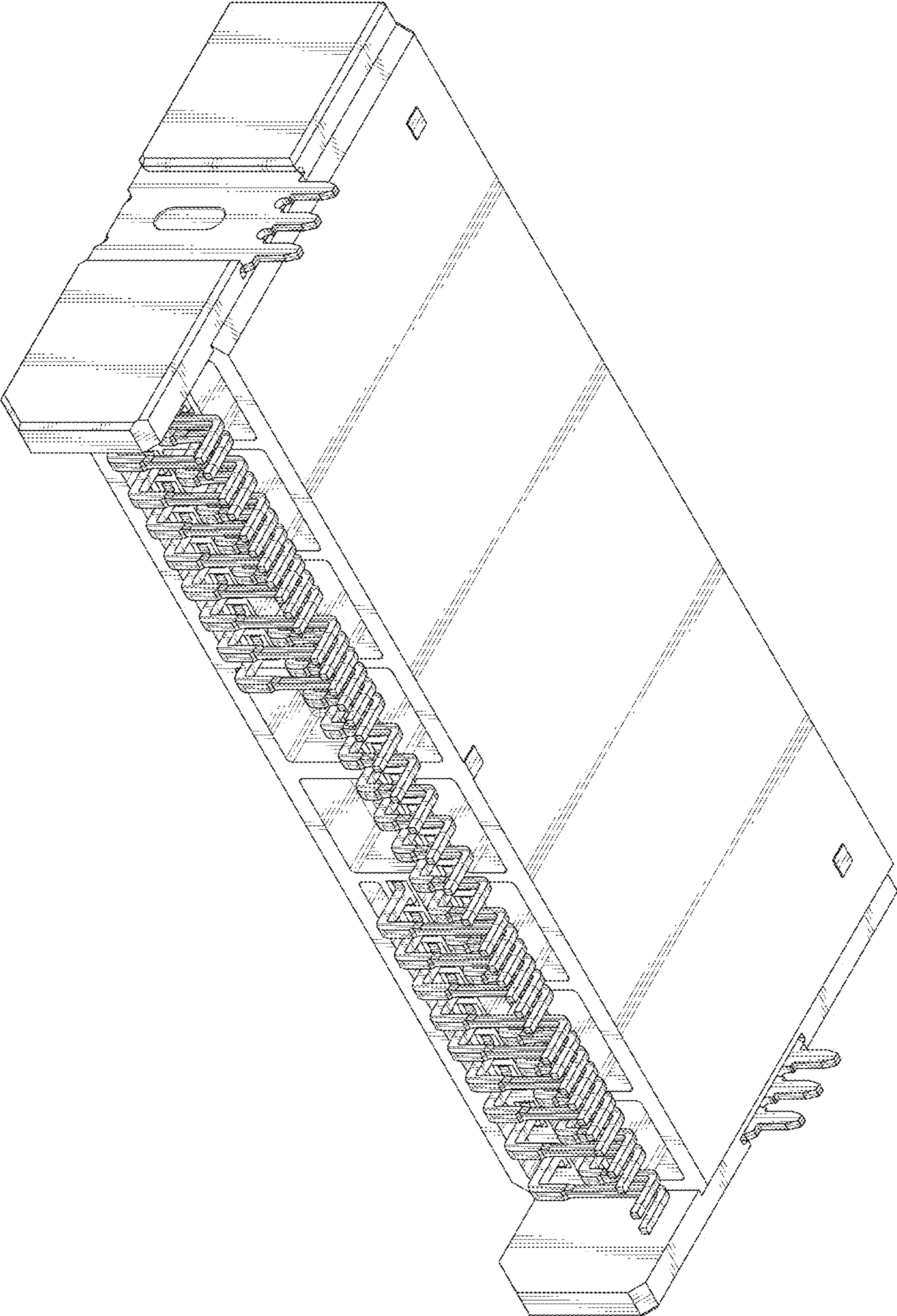


FIG. 8

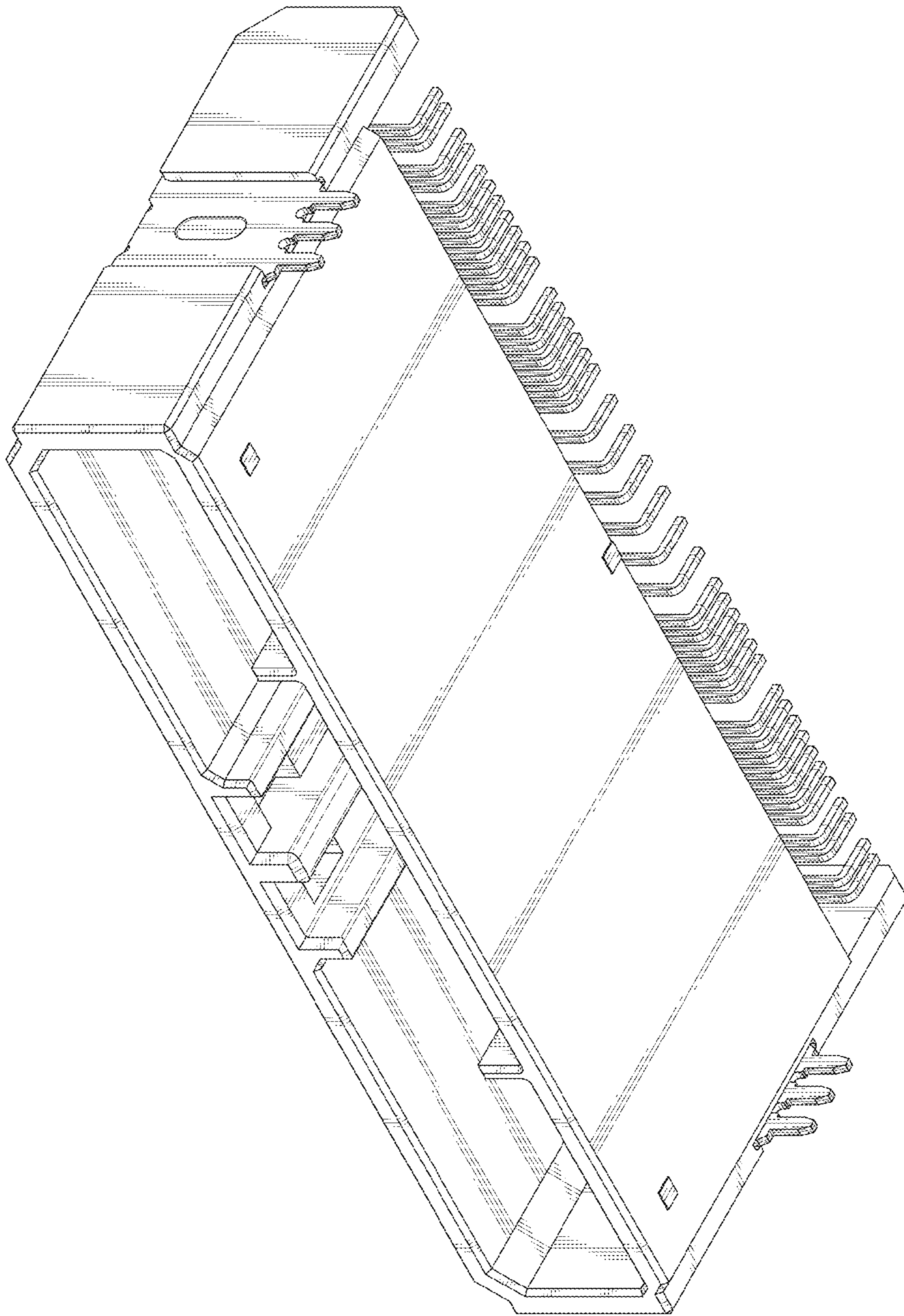


FIG. 9

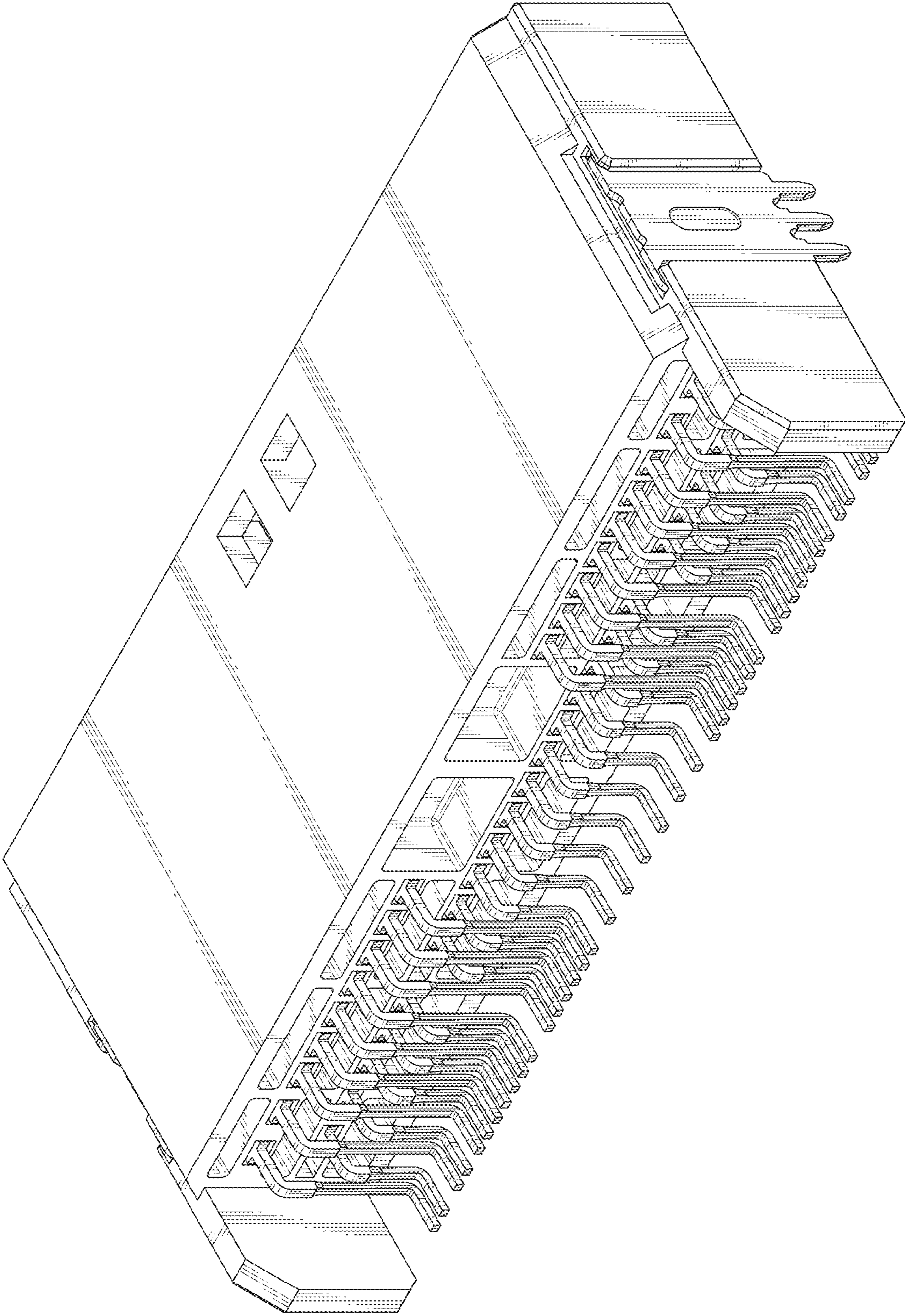


FIG. 10