



US00D985500S

(12) **United States Design Patent** (10) **Patent No.:** **US D985,500 S**
Belle et al. (45) **Date of Patent:** **** May 9, 2023**

(54) **CONNECTOR**
(71) Applicant: **Molex, LLC**, Lisle, IL (US)
(72) Inventors: **Muttanna Belle**, Bengaluru (IN);
Sandeep CS, Bengaluru (IN); **Harsha Thyagaraj**, Bengaluru (IN)
(73) Assignee: **Molex, LLC**, Lisle, IL (US)
(**) Term: **15 Years**
(21) Appl. No.: **29/783,749**
(22) Filed: **May 14, 2021**
(51) **LOC (14) Cl.** **13-03**
(52) **U.S. Cl.**
USPC **D13/133**
(58) **Field of Classification Search**
USPC ... D13/133, 101, 123, 146, 147, 153, 137.1,
D13/149
CPC G02B 6/38; G02B 6/38875; G02B 6/4284;
H01R 13/40; H01R 13/58; H01R 13/627;
H01R 13/66; H01R 31/06; H01R 24/00
See application file for complete search history.

(56) **References Cited**
U.S. PATENT DOCUMENTS
4,449,776 A * 5/1984 Carmo H01R 13/6271
439/465
4,762,388 A * 8/1988 Tanaka G02B 6/3893
D13/133
D473,844 S * 4/2003 Bender D13/133
D474,447 S * 5/2003 Kano D13/133
D475,014 S * 5/2003 Kano D13/133
D596,125 S * 7/2009 Norin D13/133
D612,810 S * 3/2010 Bender D13/147
D684,118 S * 6/2013 Yang D13/133
D724,739 S * 3/2015 London D24/167
D746,233 S * 12/2015 Lyons H01R 31/06
D13/138.2
D748,058 S * 1/2016 Corona D13/146

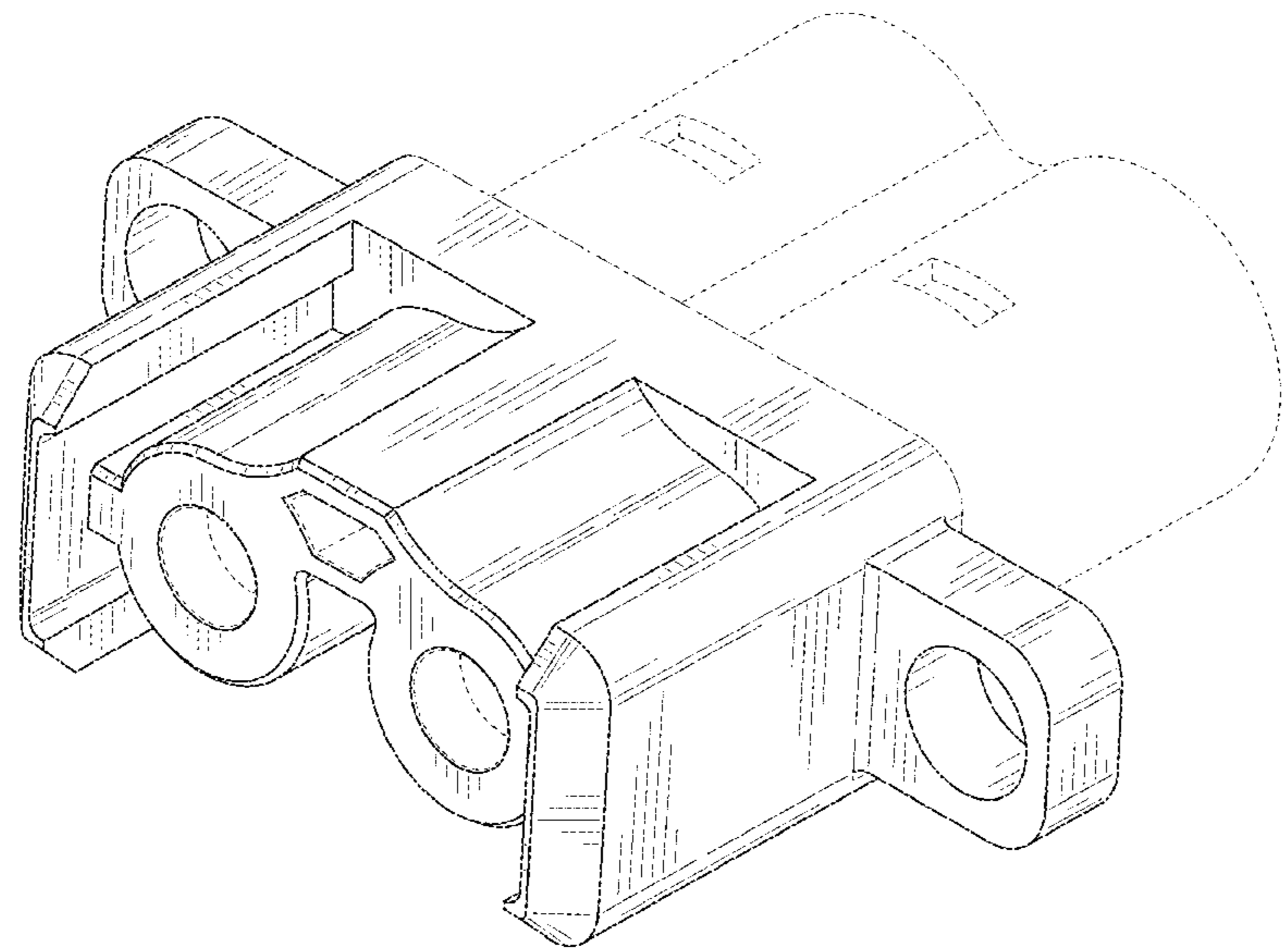
D803,157 S * 11/2017 Mugan D13/133
D906,976 S * 1/2021 Somanathapura Ramanna
D13/133
D915,290 S * 4/2021 Ghasabi D13/146
D942,399 S * 2/2022 Belle D13/146
D942,400 S * 2/2022 Belle D13/146
D942,949 S * 2/2022 Somanathapura Ramanna
D13/133
D942,952 S * 2/2022 Belle D13/146
D942,953 S * 2/2022 Belle D13/146
D955,990 S * 6/2022 Byrne D13/133
D964,287 S * 9/2022 Corona D13/133
2014/0151999 A1* 6/2014 Imaki G02B 6/3814
285/308
2018/0351290 A1* 12/2018 Shi H01R 13/5829
(Continued)

Primary Examiner — Christy Nemeth
Assistant Examiner — Leah E Hoferkamp
(74) *Attorney, Agent, or Firm* — Banner & Witcoff, Ltd.

(57) **CLAIM**
The ornamental design for a connector, as shown and described.

DESCRIPTION
FIG. 1 is a front top perspective view of a connector showing our new design;
FIG. 2 is a rear top perspective view thereof;
FIG. 3 is a front bottom perspective view thereof;
FIG. 4 is a top view thereof;
FIG. 5 is a bottom view thereof;
FIG. 6 is a right side view thereof;
FIG. 7 is a left side view thereof;
FIG. 8 is a front view thereof; and,
FIG. 9 is a rear view thereof.
The uneven-length broken lines immediately adjacent to the shaded areas define the bounds of the claimed design and form no part thereof. The even-length broken lines depicting the remainder of the connector form no part of the claimed design.

1 Claim, 9 Drawing Sheets



(56)

References Cited

U.S. PATENT DOCUMENTS

2022/0200189 A1 * 6/2022 Sundarakrishnamachari
H01R 13/506

* cited by examiner

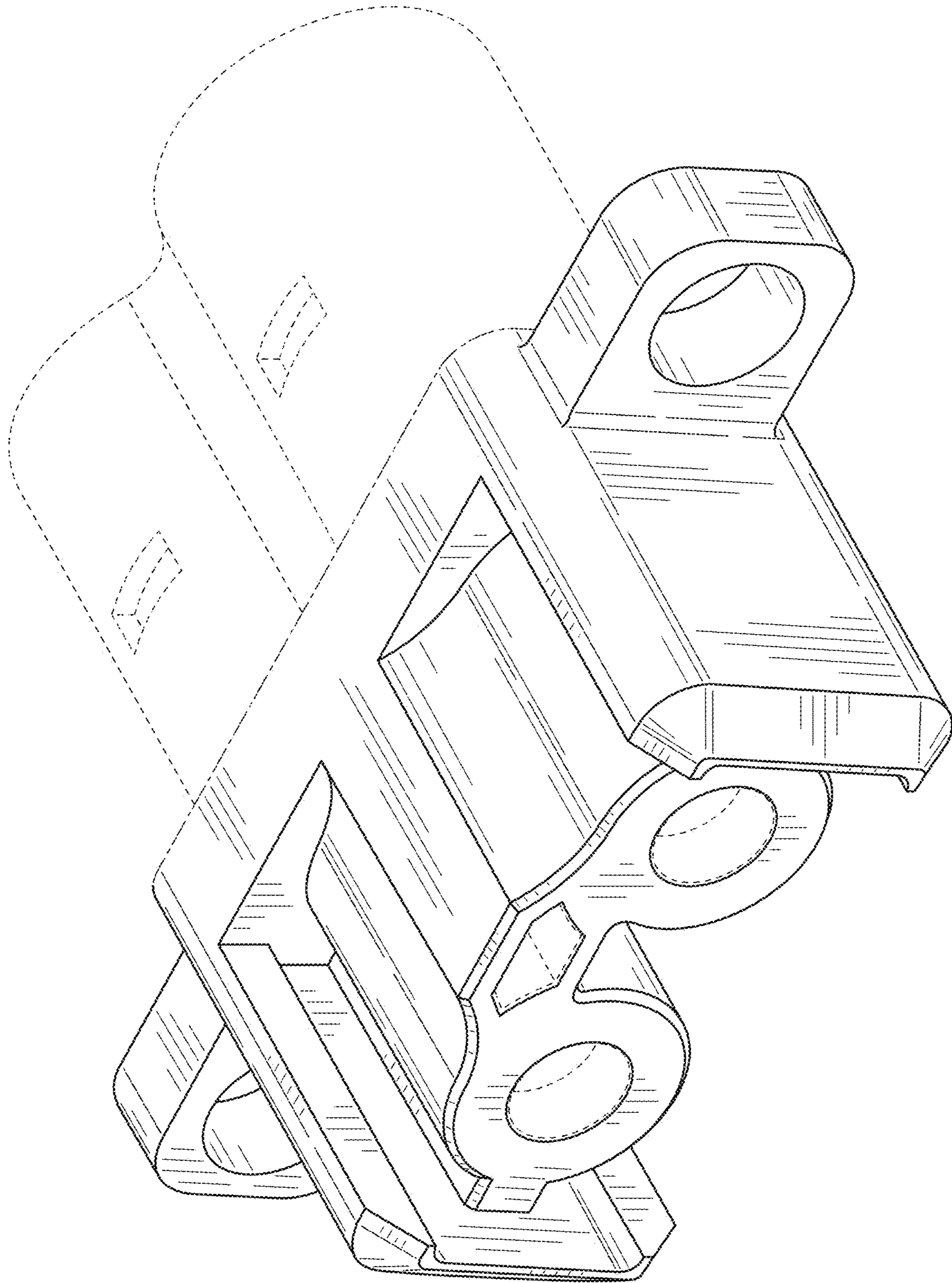


FIG. 1

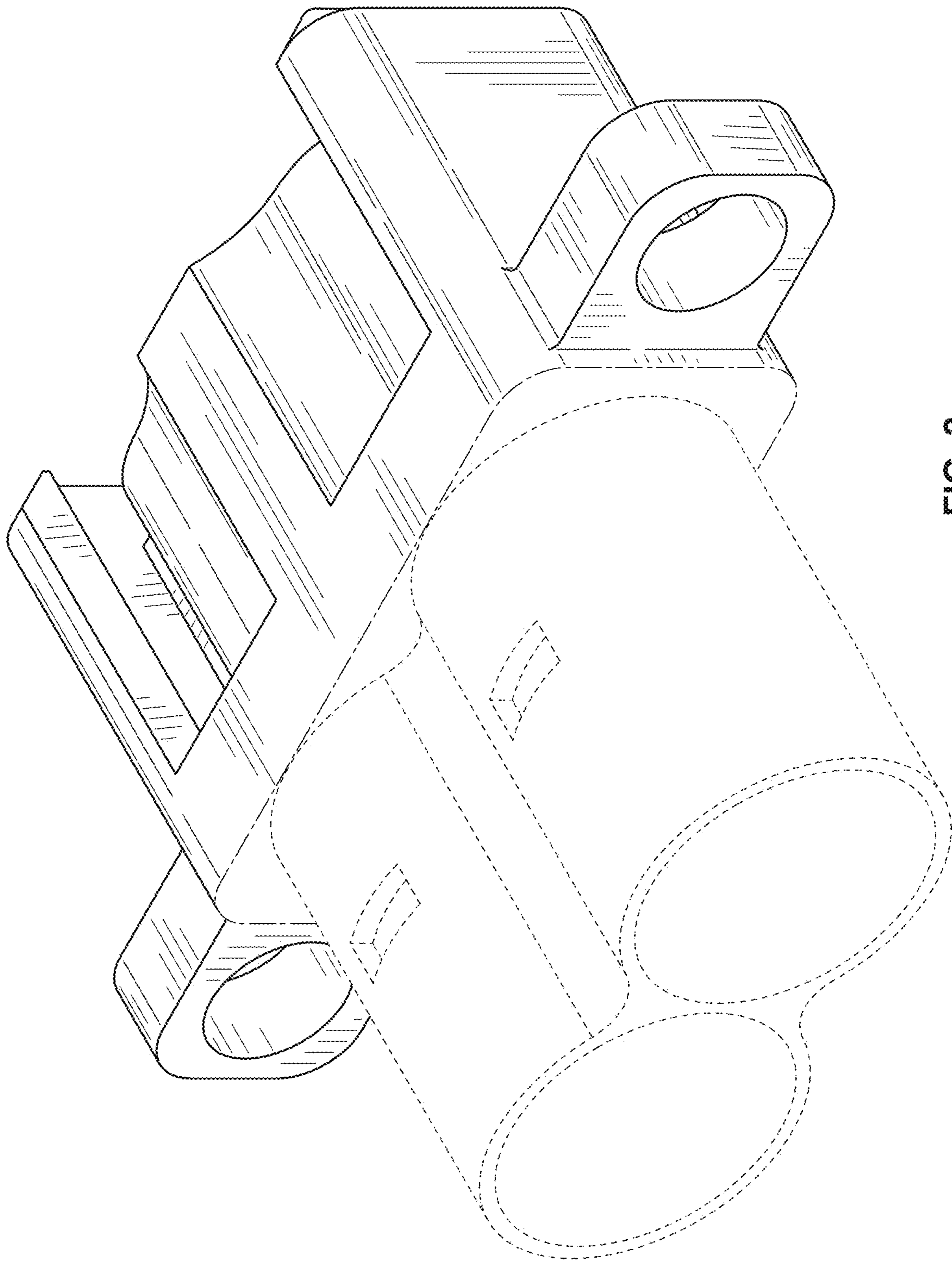


FIG. 2

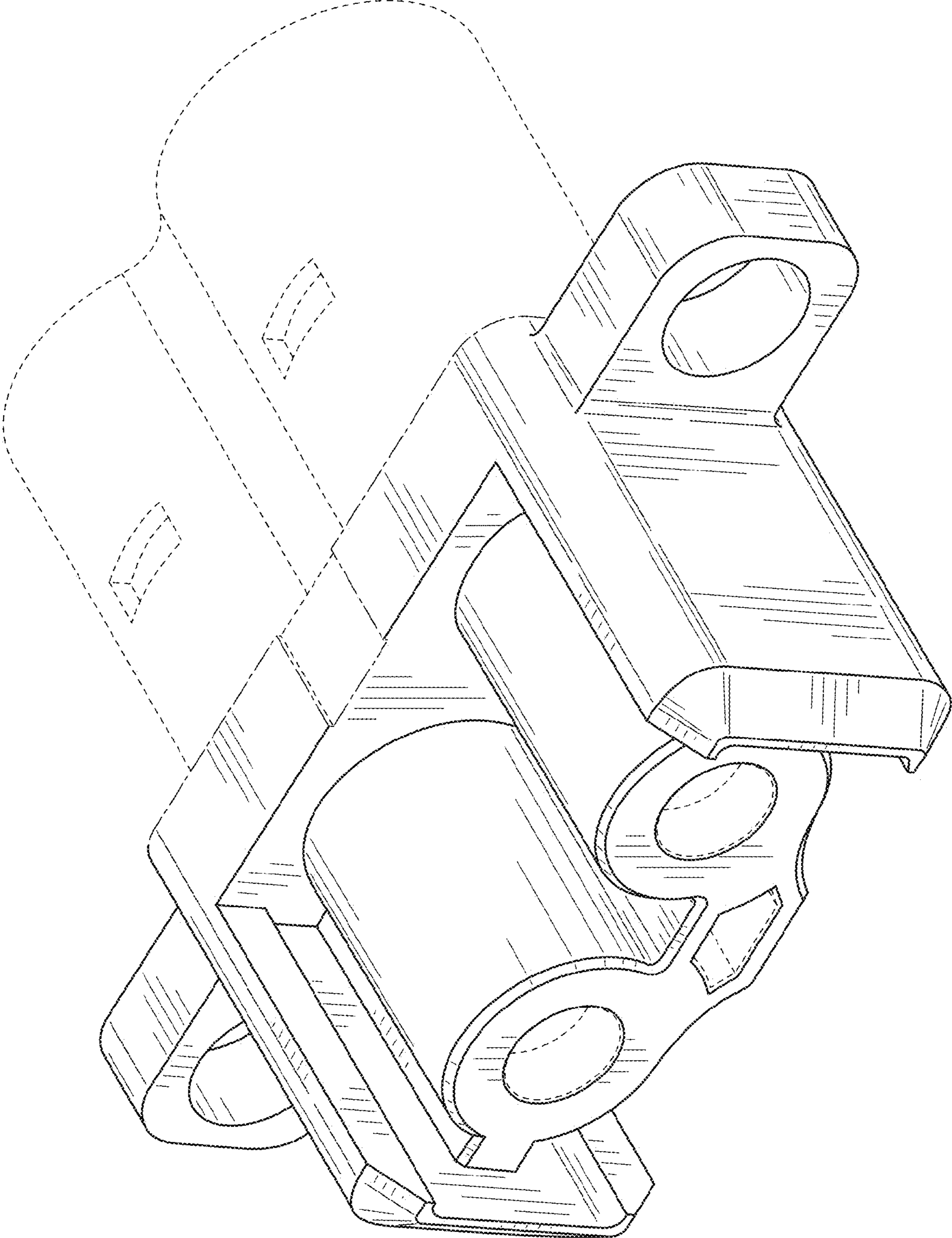


FIG. 3

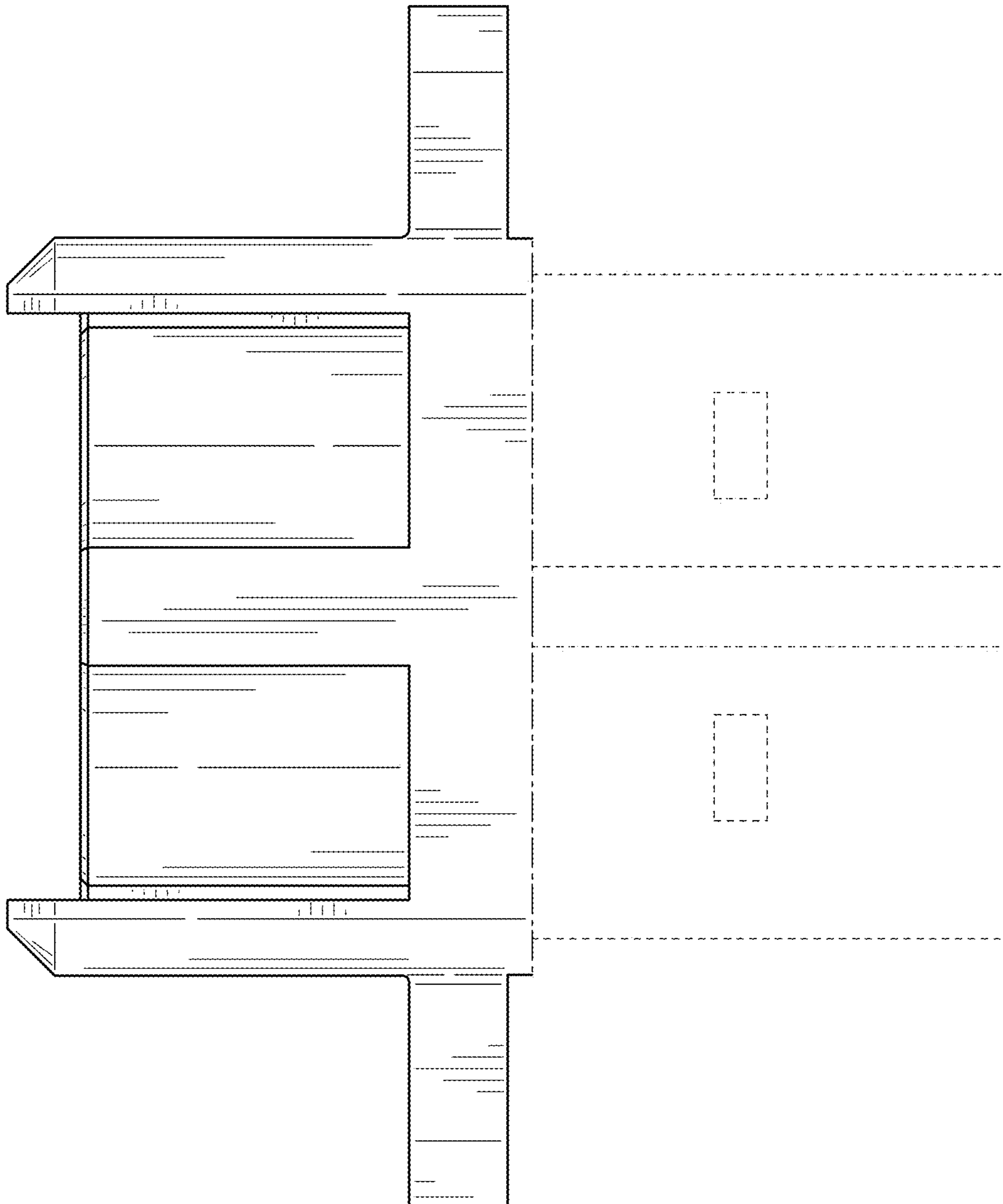


FIG. 4

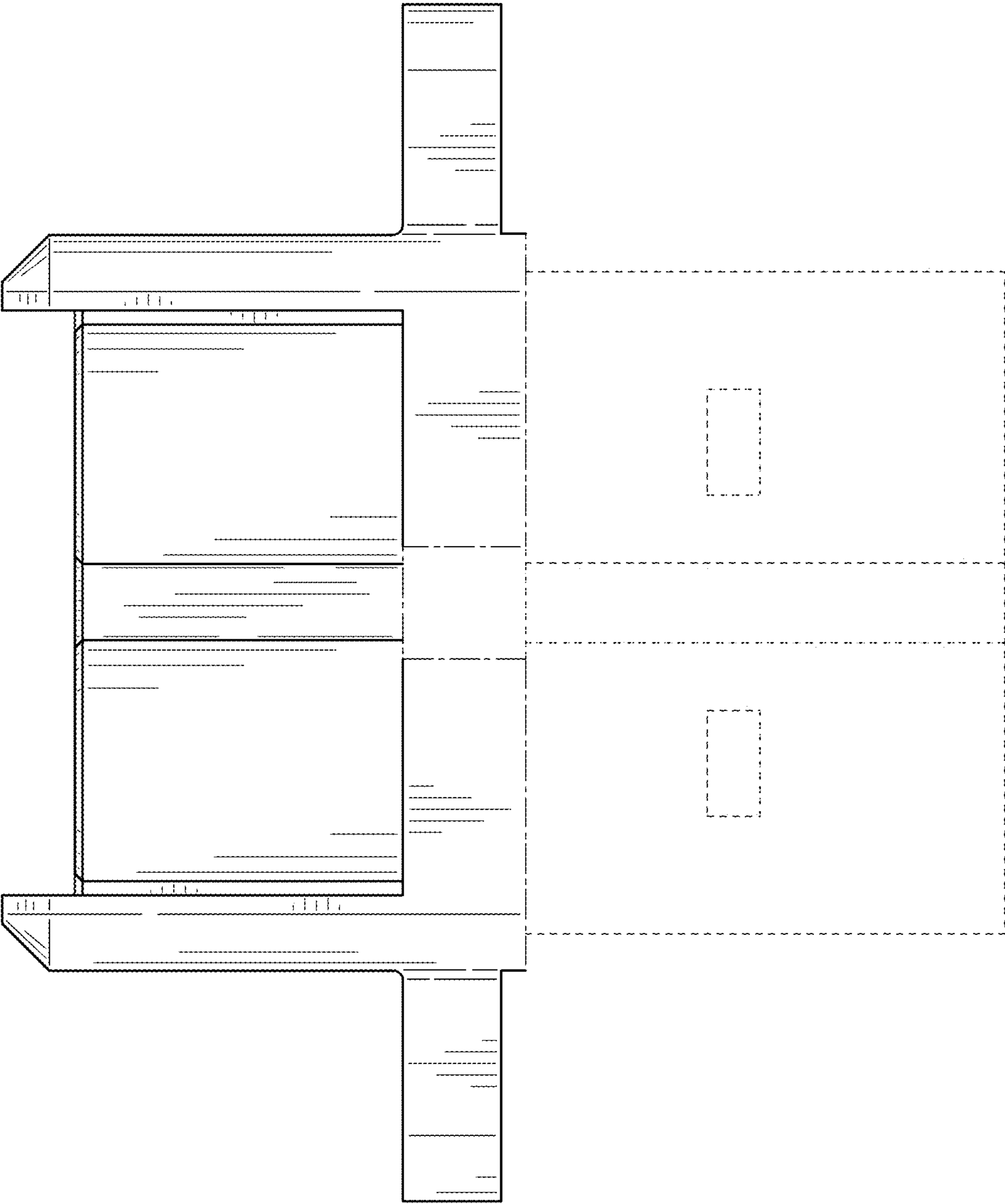


FIG. 5

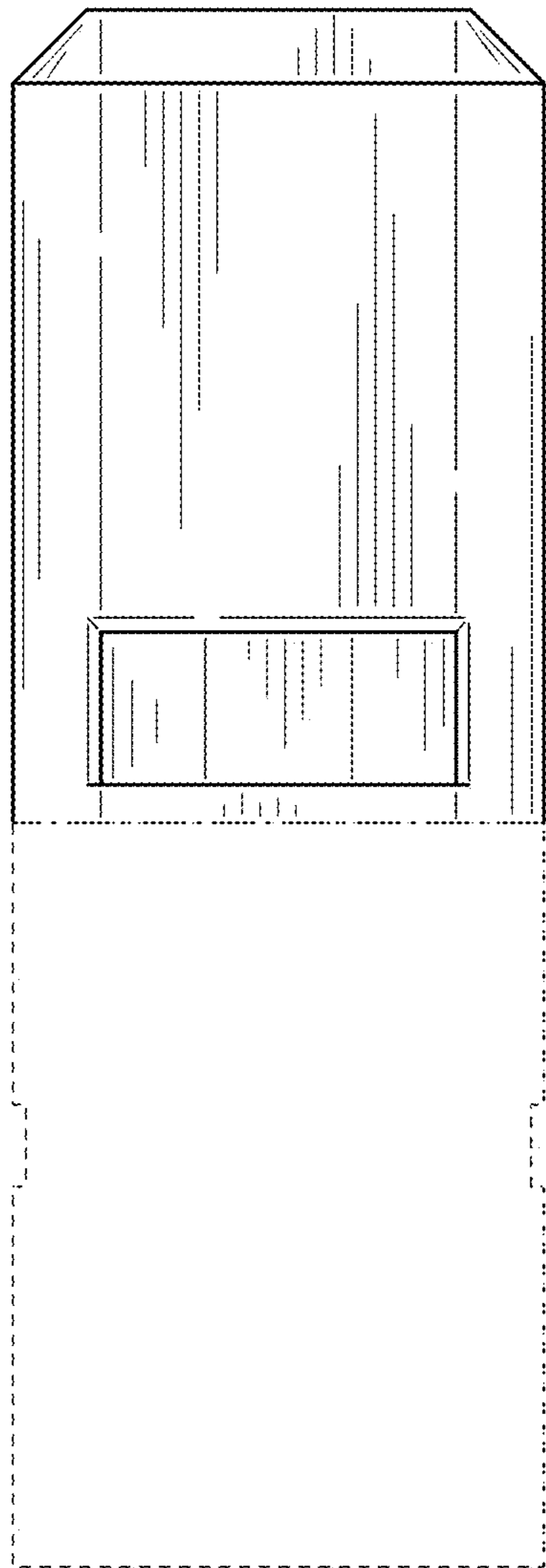


FIG. 6

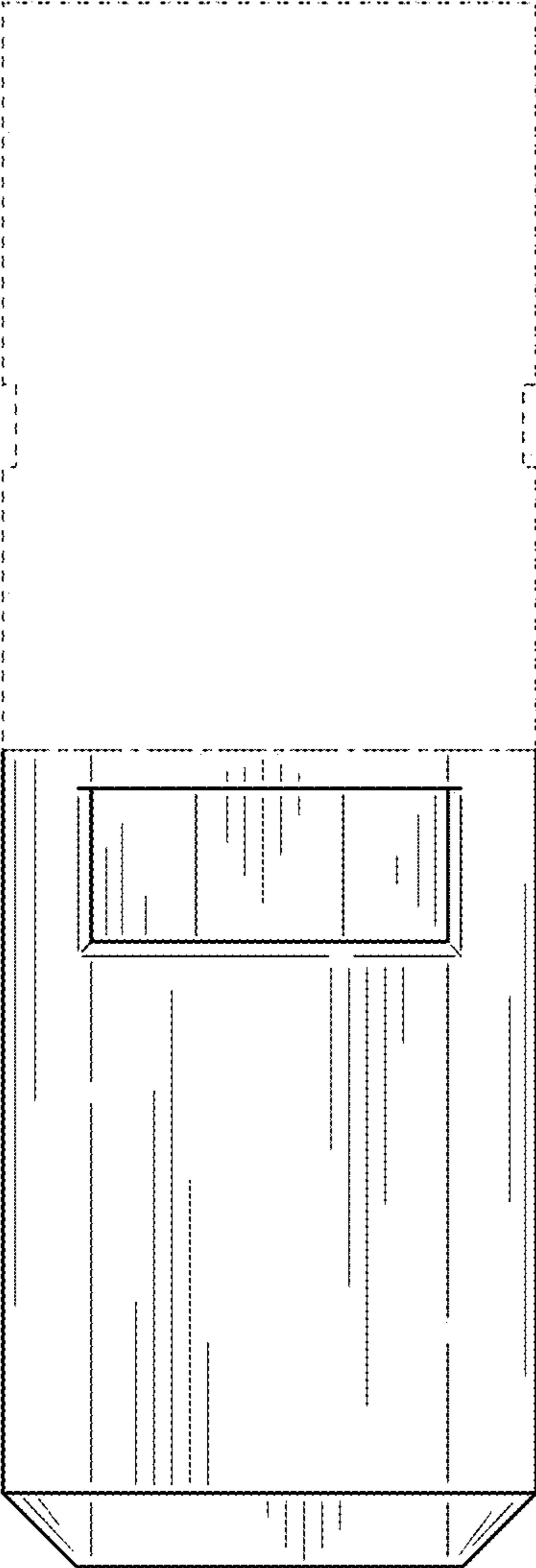


FIG. 7

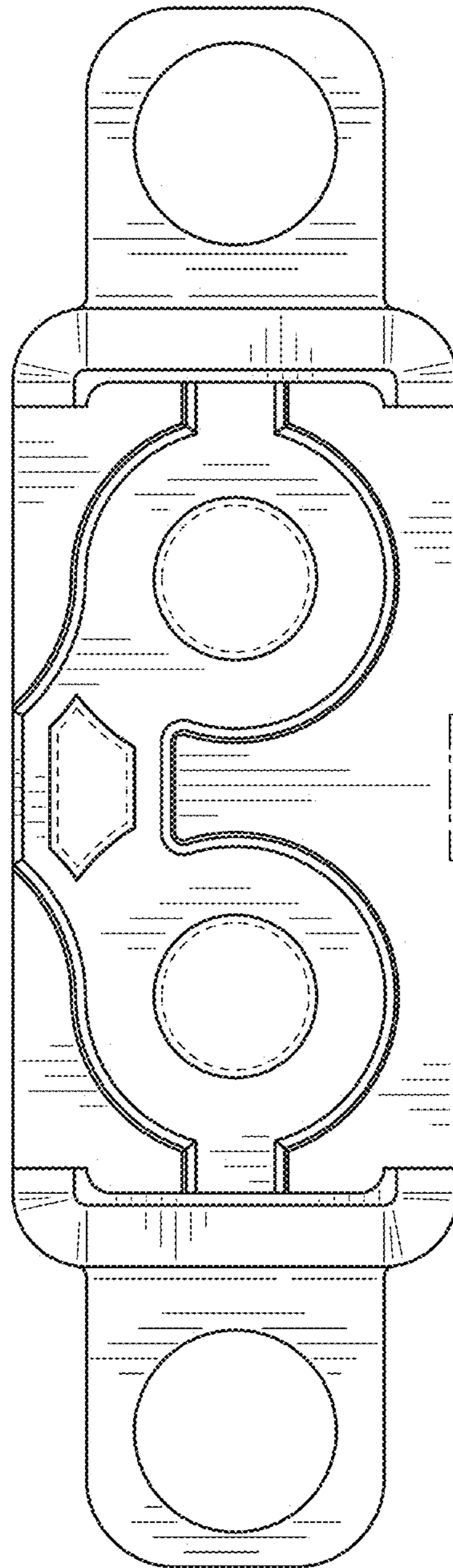


FIG. 8

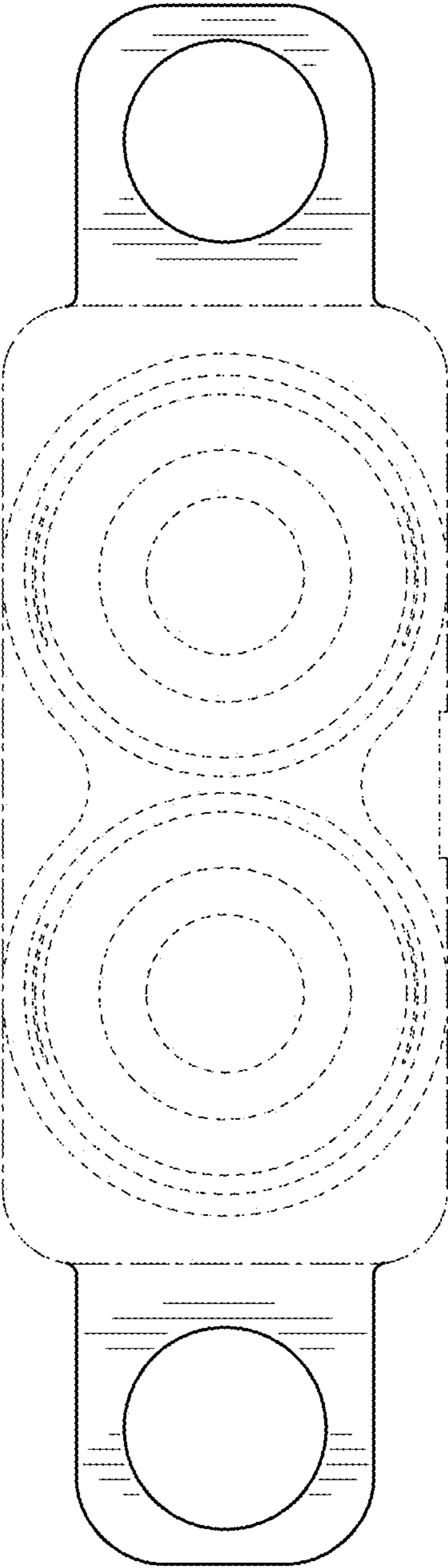


FIG. 9