



US00D985499S

(12) **United States Design Patent** (10) **Patent No.:** **US D985,499 S**
Desai et al. (45) **Date of Patent:** **** May 9, 2023**

(54) **CONNECTOR**
(71) Applicant: **Molex, LLC**, Lisle, IL (US)
(72) Inventors: **Ravikanth Desai**, Bengaluru (IN);
Narayan Mithun, Bengaluru (IN);
Kalidindi Ramesh Raju, Bengaluru
(IN); **Debashis Sarkar**, Bengaluru (IN); **Gang**
Nie, Dongguan (CN)
(73) Assignee: **Molex, LLC**, Lisle, IL (US)
(**) Term: **15 Years**
(21) Appl. No.: **29/783,135**
(22) Filed: **May 11, 2021**
(51) **LOC (14) Cl.** **13-03**
(52) **U.S. Cl.**
USPC **D13/133**
(58) **Field of Classification Search**
USPC ... D13/133, 101, 123, 146, 147, 153, 137.1,
D13/149
CPC G02B 6/38; G02B 6/38875; G02B 6/4284;
H01R 13/40; H01R 13/58; H01R 13/627;
H01R 13/66; H01R 31/06; H01R 24/00
See application file for complete search history.

(56) **References Cited**
U.S. PATENT DOCUMENTS
D366,242 S * 1/1996 Goto D13/147
D412,883 S * 8/1999 Nakazawa D13/146
D431,023 S * 9/2000 Yip D13/133
D486,794 S * 2/2004 Okamoto D13/147
8,052,335 B2 * 11/2011 Kasbeer-Betty G02B 6/4284
385/14

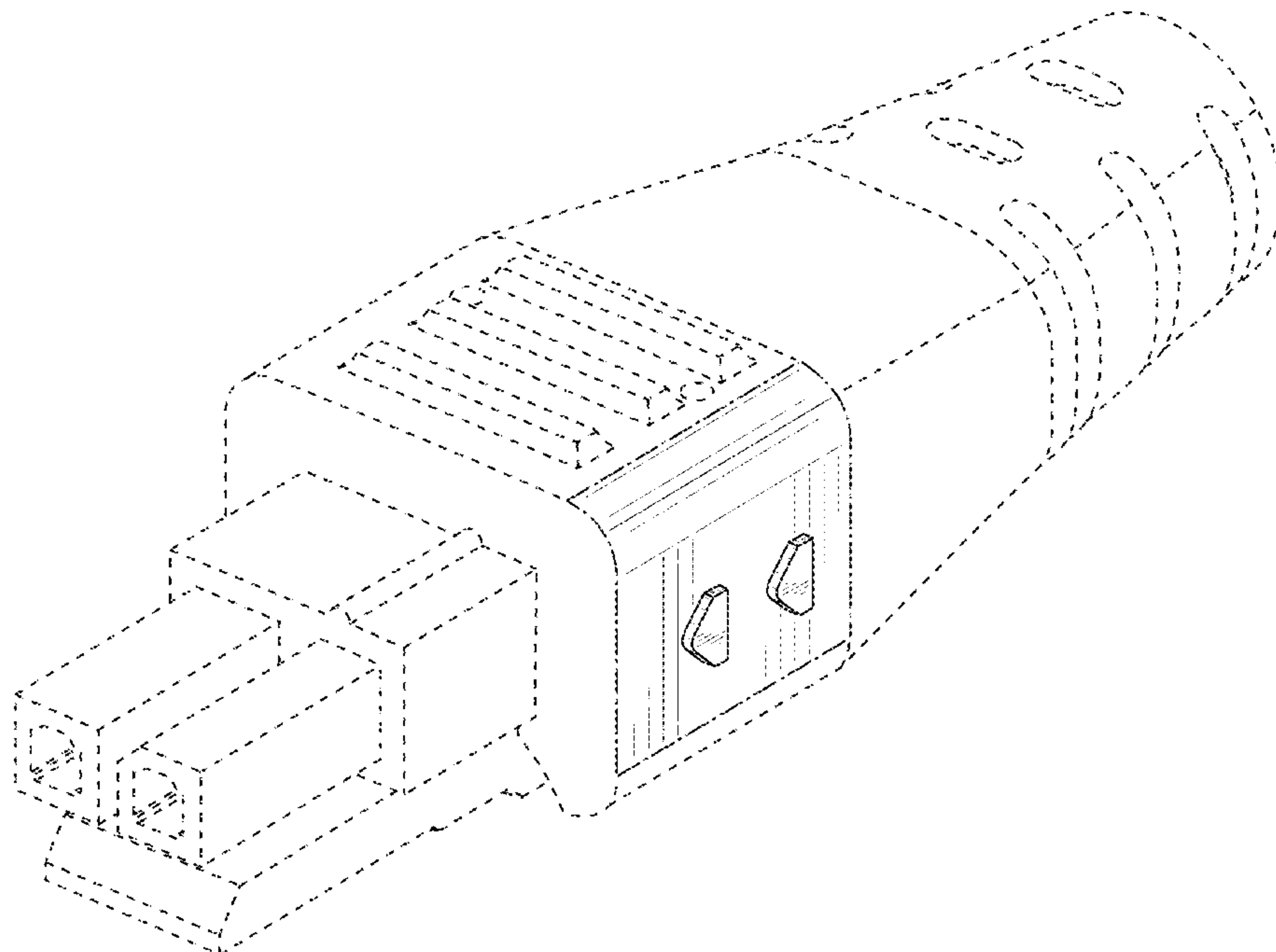
D674,347 S * 1/2013 Shifris D13/133
D754,606 S * 4/2016 Nook D13/133
D901,392 S * 11/2020 Gonzalez D13/147
D901,394 S * 11/2020 Gonzalez D13/147
D906,249 S * 12/2020 Hasan D13/137.1
D958,077 S * 7/2022 Desai D13/133
D958,078 S * 7/2022 Desai D13/133
D958,748 S * 7/2022 Desai D13/133
D958,749 S * 7/2022 Desai D13/133
D958,750 S * 7/2022 Desai D13/133
D961,523 S * 8/2022 Gonzalez D13/147

* cited by examiner
Primary Examiner — Christy Nemeth
Assistant Examiner — Leah E Hoferkamp
(74) *Attorney, Agent, or Firm* — Banner & Witcoff, Ltd.

(57) **CLAIM**
The ornamental design for a connector, as shown and described.

DESCRIPTION
FIG. 1 is a front bottom perspective view of a connector showing our new design;
FIG. 2 is a right side view thereof;
FIG. 3 is a left side view thereof;
FIG. 4 is a bottom view thereof;
FIG. 5 is a top view thereof;
FIG. 6 is a front view thereof;
FIG. 7 is a rear view thereof; and,
FIG. 8 is a front top perspective view thereof.
The uneven-length broken line immediately adjacent to and surrounding the shaded area defines the bounds of the claimed design and forms no part thereof. The even-length broken lines depicting the remainder of the connector form no part of the claimed design.

1 Claim, 8 Drawing Sheets



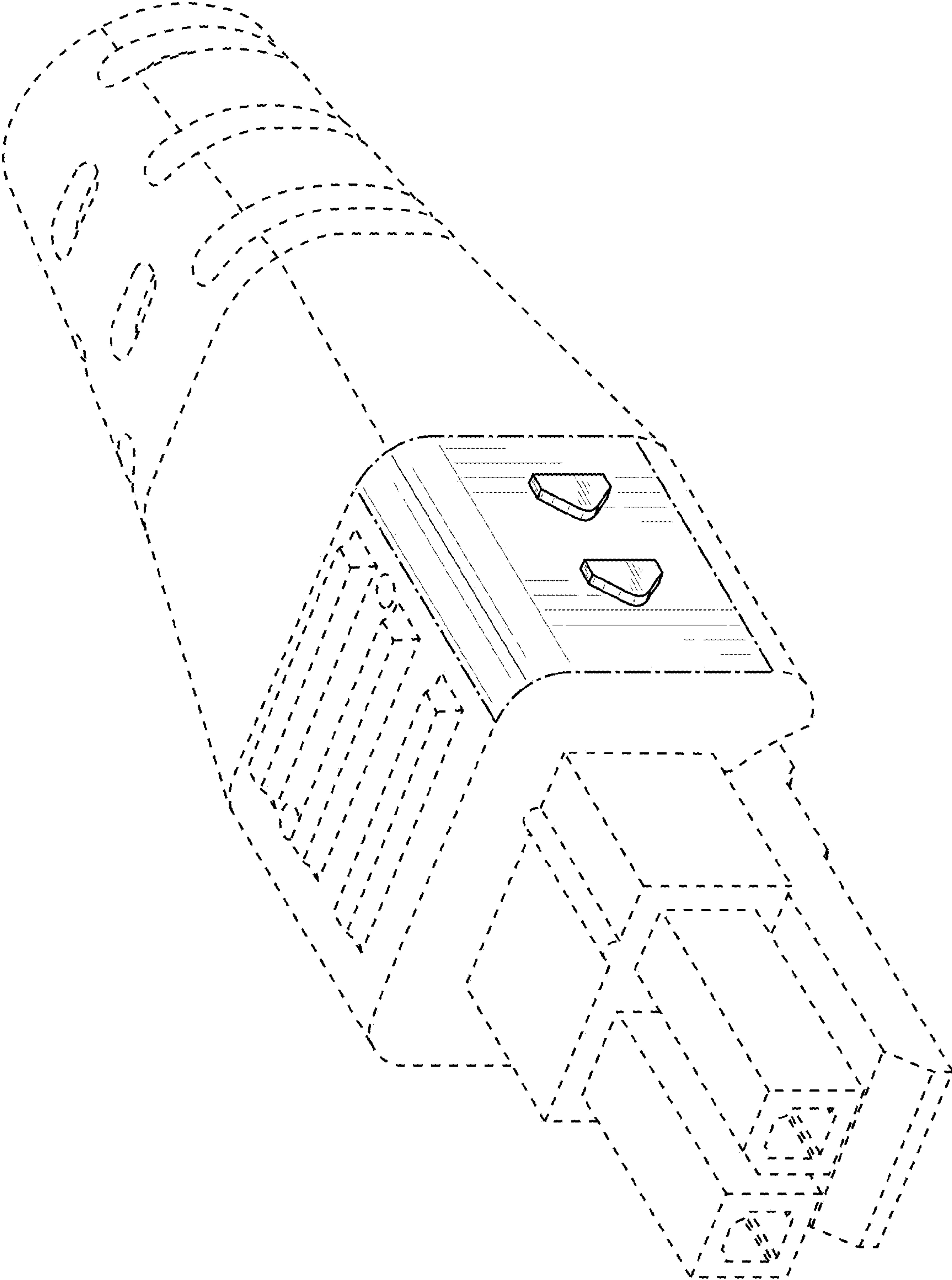


FIG. 1

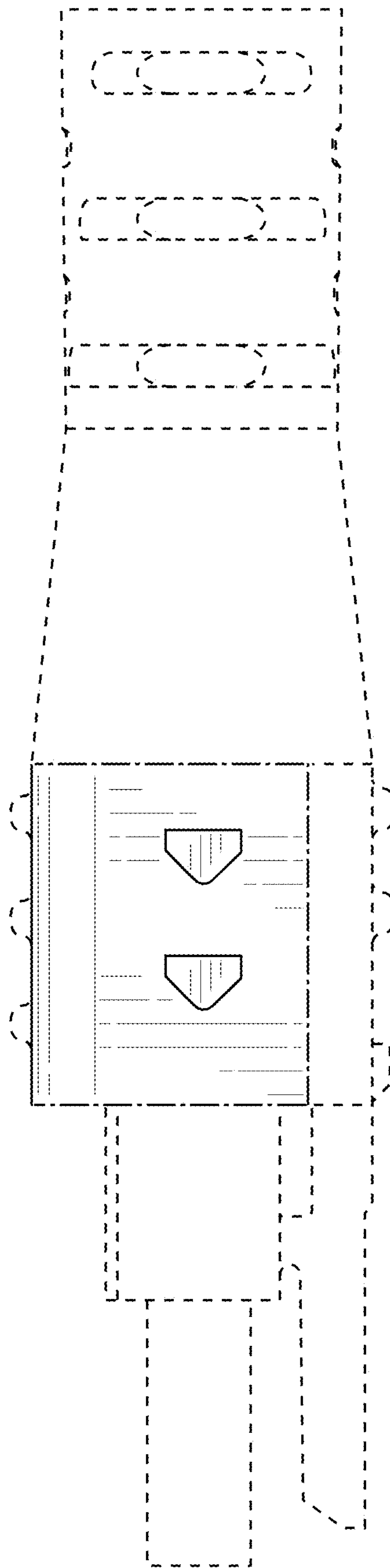


FIG. 2

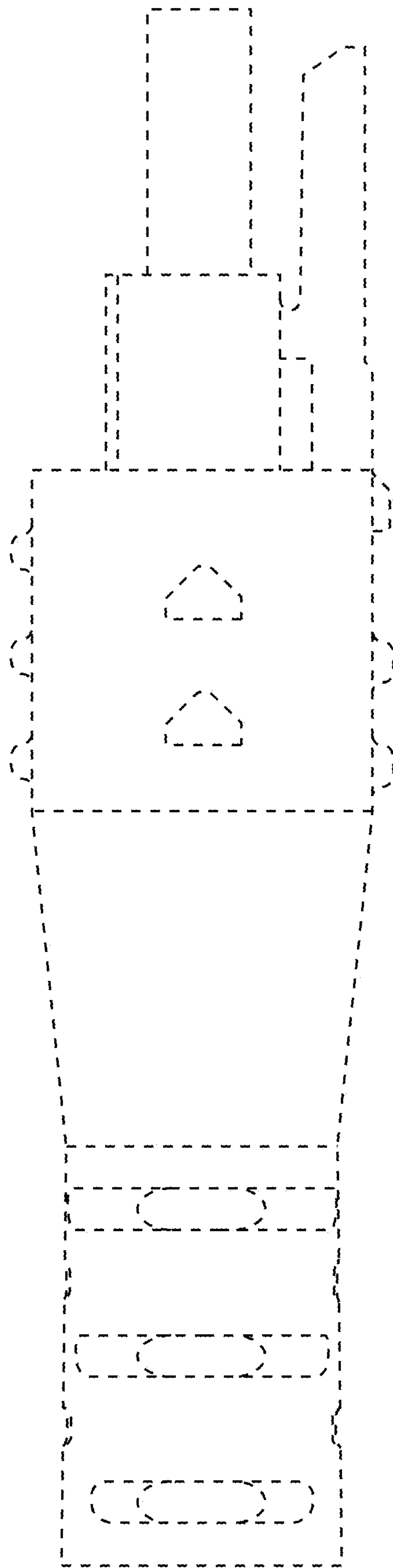


FIG. 3

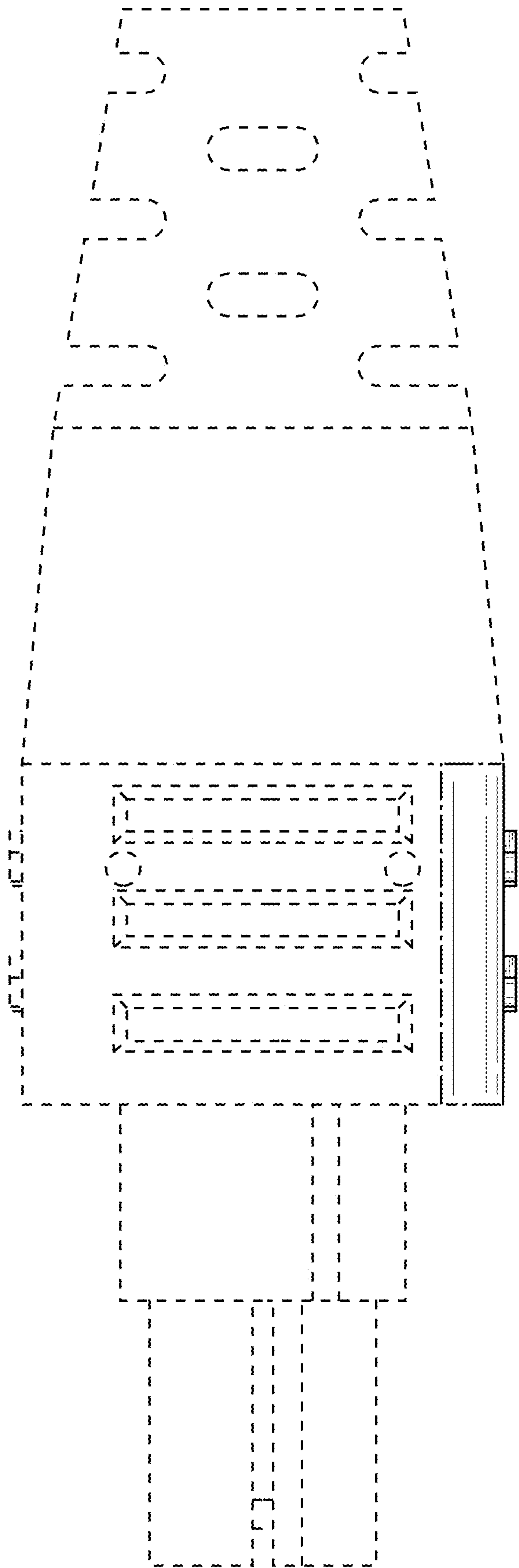


FIG. 4

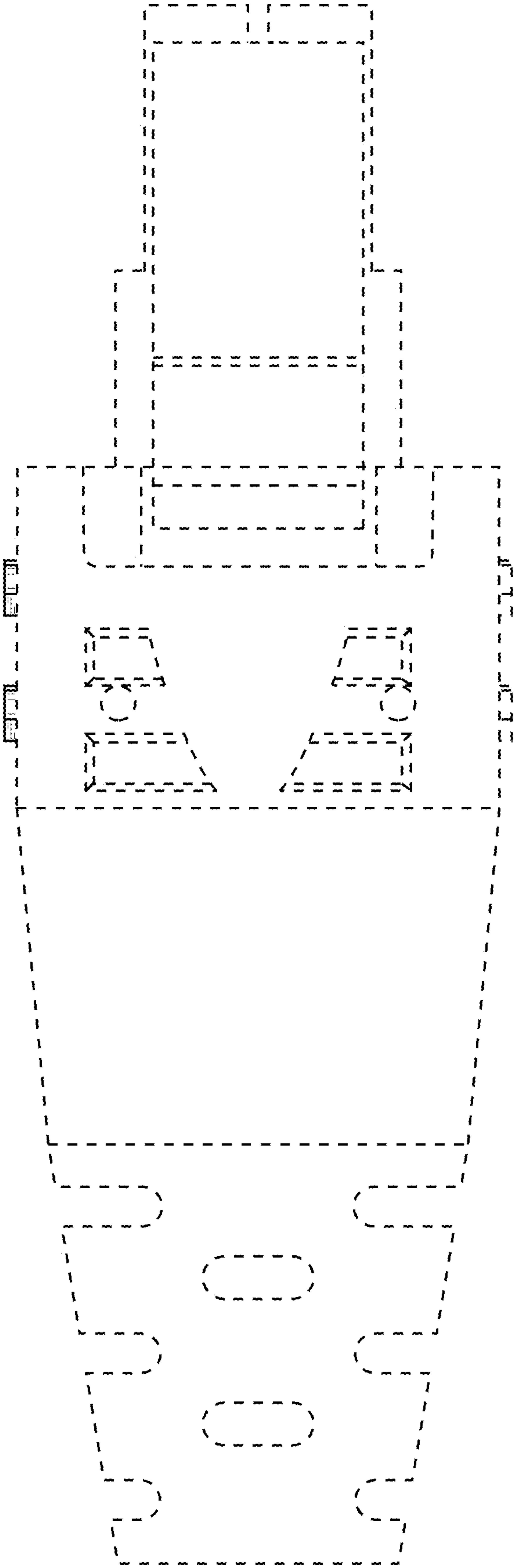


FIG. 5

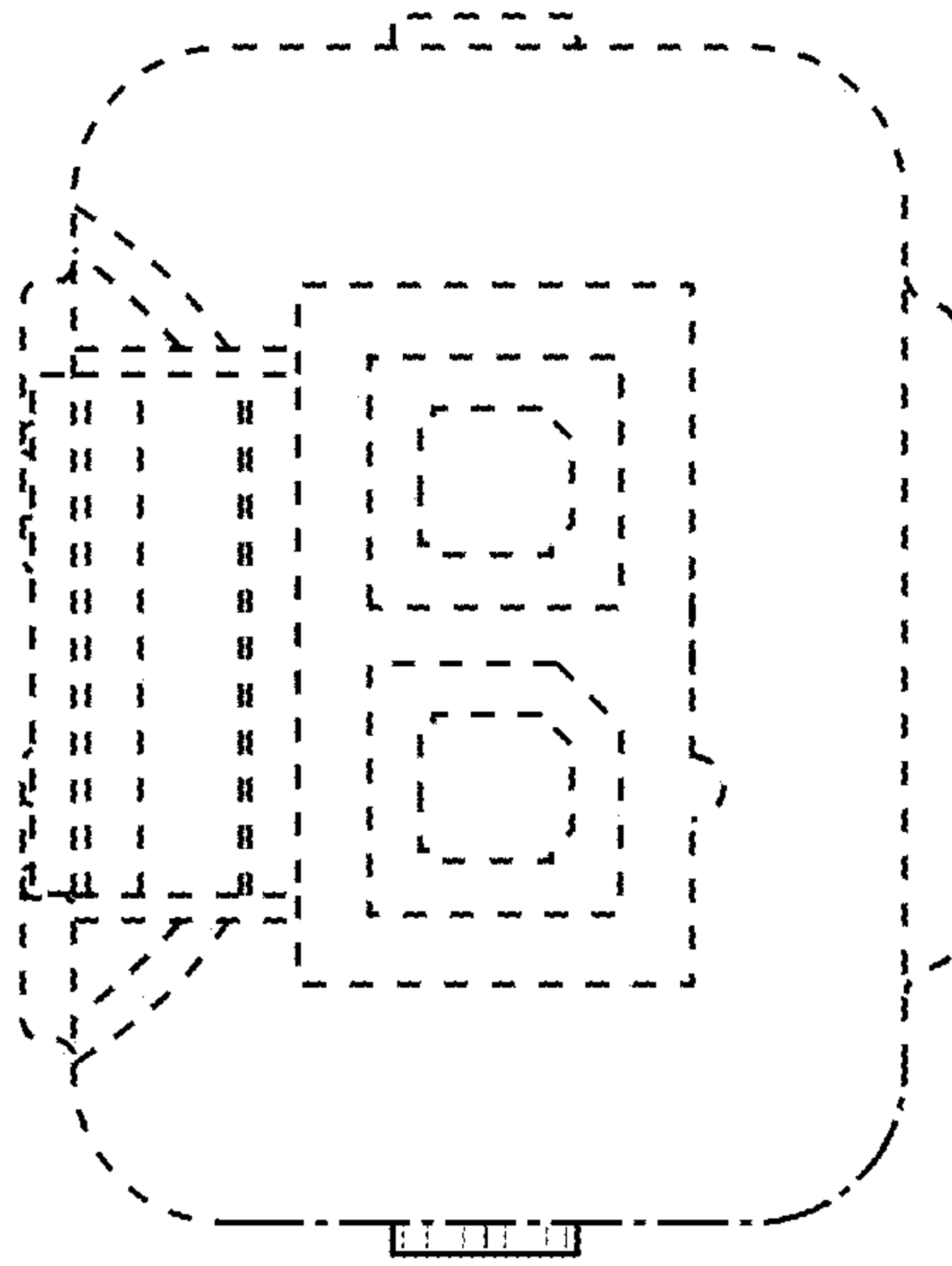


FIG. 6

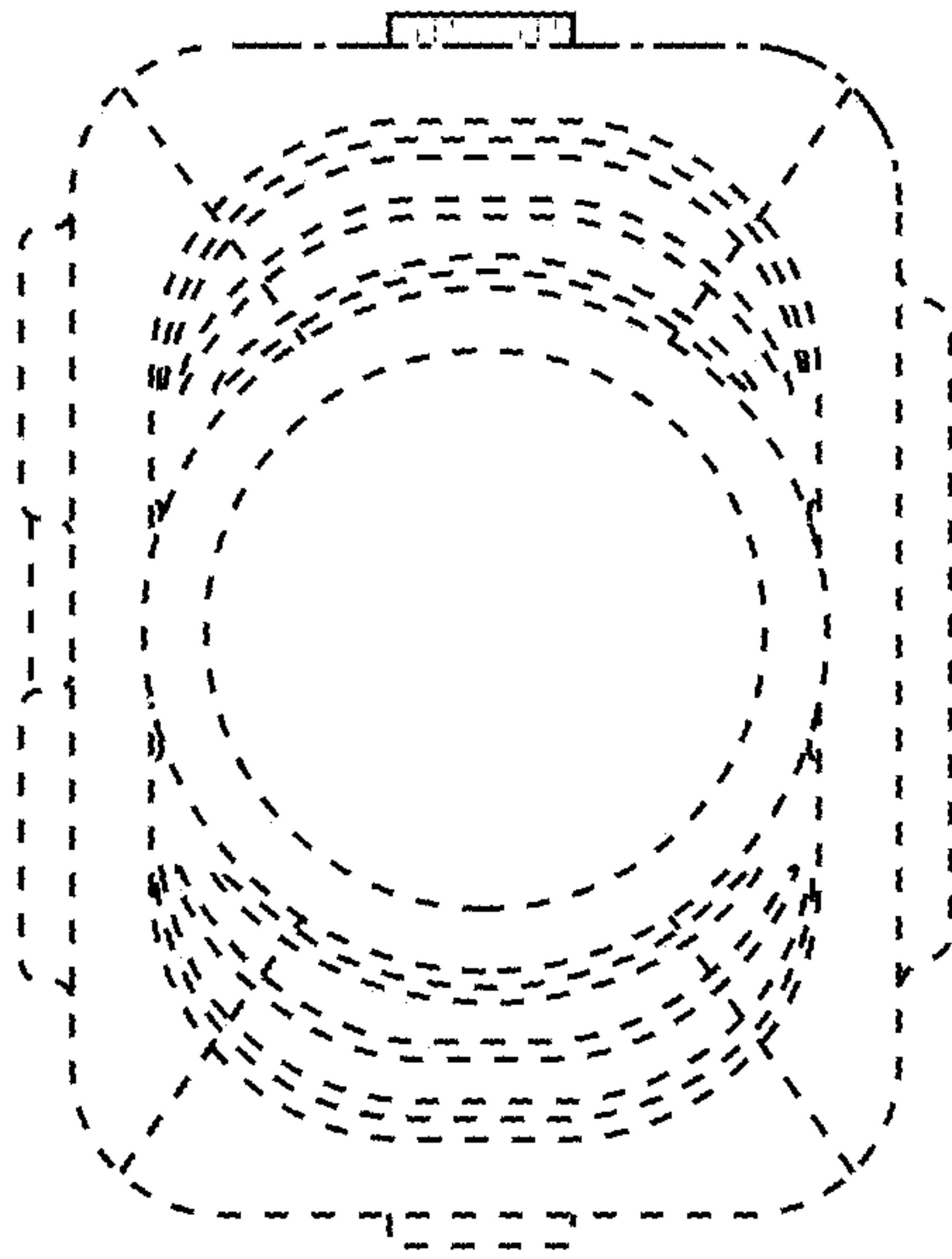


FIG. 7

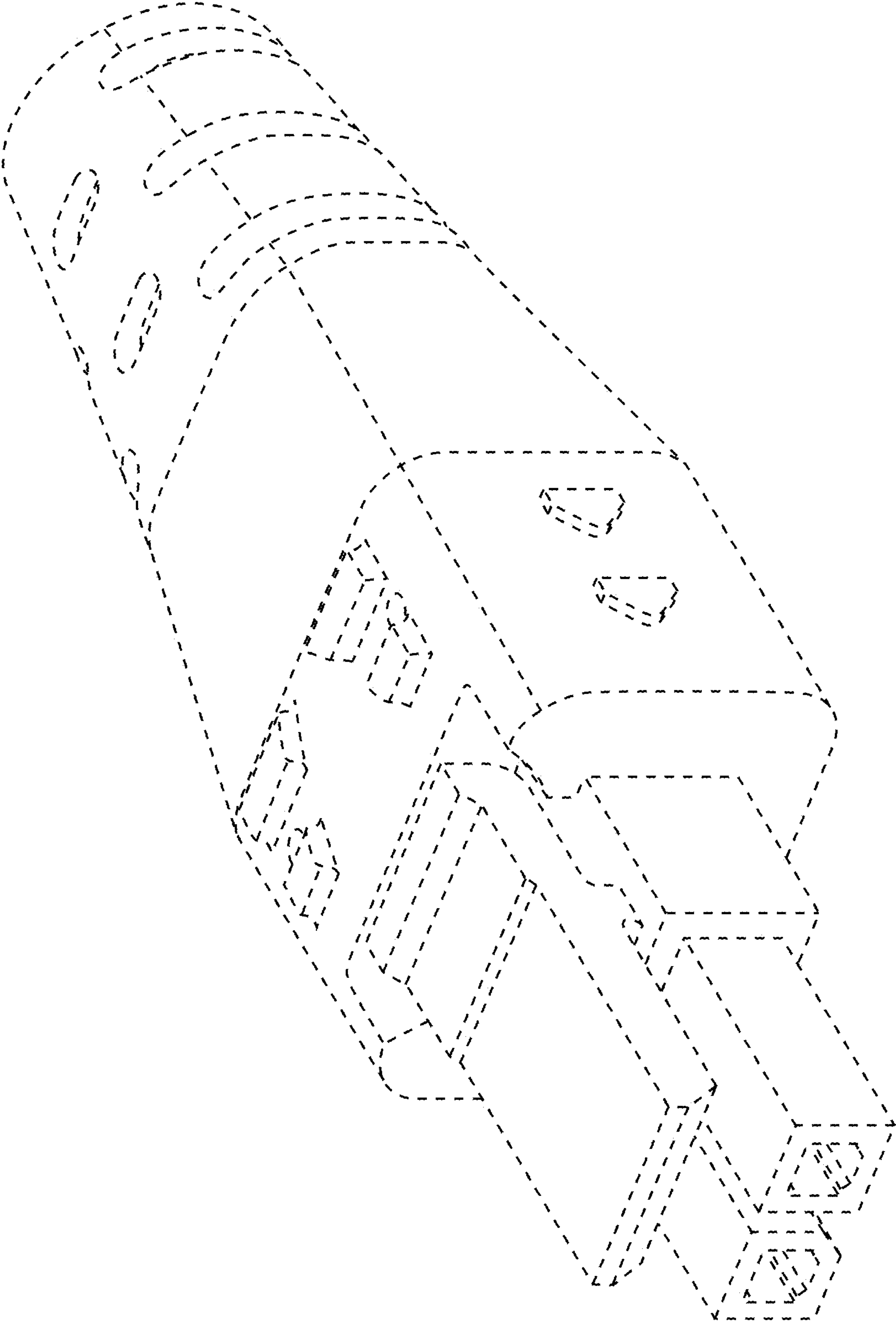


FIG. 8