



US00D985497S

(12) **United States Design Patent**
Ma

(10) **Patent No.:** **US D985,497 S**

(45) **Date of Patent:** **** May 9, 2023**

(54) **CAPACITIVE DISCHARGE IGNITION BOX**

D425,017 S *	5/2000	Leung	D13/110
D543,503 S *	5/2007	Suzuki	D13/110
D826,154 S *	8/2018	Ceravalo	D13/110
D829,173 S *	9/2018	Stockman	D13/124

(71) Applicant: **Guangdong Huakong Auto Tech Co., Ltd, Dongguan (CN)**

(72) Inventor: **Hongjun Ma, Dongguan (CN)**

(73) Assignee: **Guangdong Huakong Auto Tech Co., Ltd, Dongguan (CN)**

(**) Term: **15 Years**

(21) Appl. No.: **29/787,624**

(22) Filed: **Jun. 8, 2021**

(30) **Foreign Application Priority Data**

Apr. 2, 2021 (CN) 202130185306.X

(51) **LOC (14) Cl.** **13-01**

(52) **U.S. Cl.**
USPC **D13/122; D13/110**

(58) **Field of Classification Search**
USPC D13/101, 107, 108, 110, 118, 133,
D13/137.1-137.4, 138.1, 138.2, 139.1,
D13/146, 184, 199; D14/433; D15/5
CPC H01R 4/66; H01R 13/44; H01R 13/4534;
H01R 13/639; H01R 13/6633; H01R
27/00; H01R 27/02; H01R 29/00; H01R
31/06; H02M 1/10; Y10S 439/911
See application file for complete search history.

(56) **References Cited**

U.S. PATENT DOCUMENTS

D284,567 S *	7/1986	Cox	D13/184
D332,443 S *	1/1993	Sharpe	D13/184

OTHER PUBLICATIONS

MSD Ignition 6425 6AL Ignition Control Box , Red https://www.amazon.com/MSD-Ignition-6425-6AL-Control/dp/B004EGZU42/ref=sr_1_6?crid=JZJ245RLIBMD&keywords=ignition+box&qid=Dec.1,2010 (Year: 2010).*

* cited by examiner

Primary Examiner — Derrick E Holland

(74) *Attorney, Agent, or Firm* — Bayramoglu Law Offices LLC

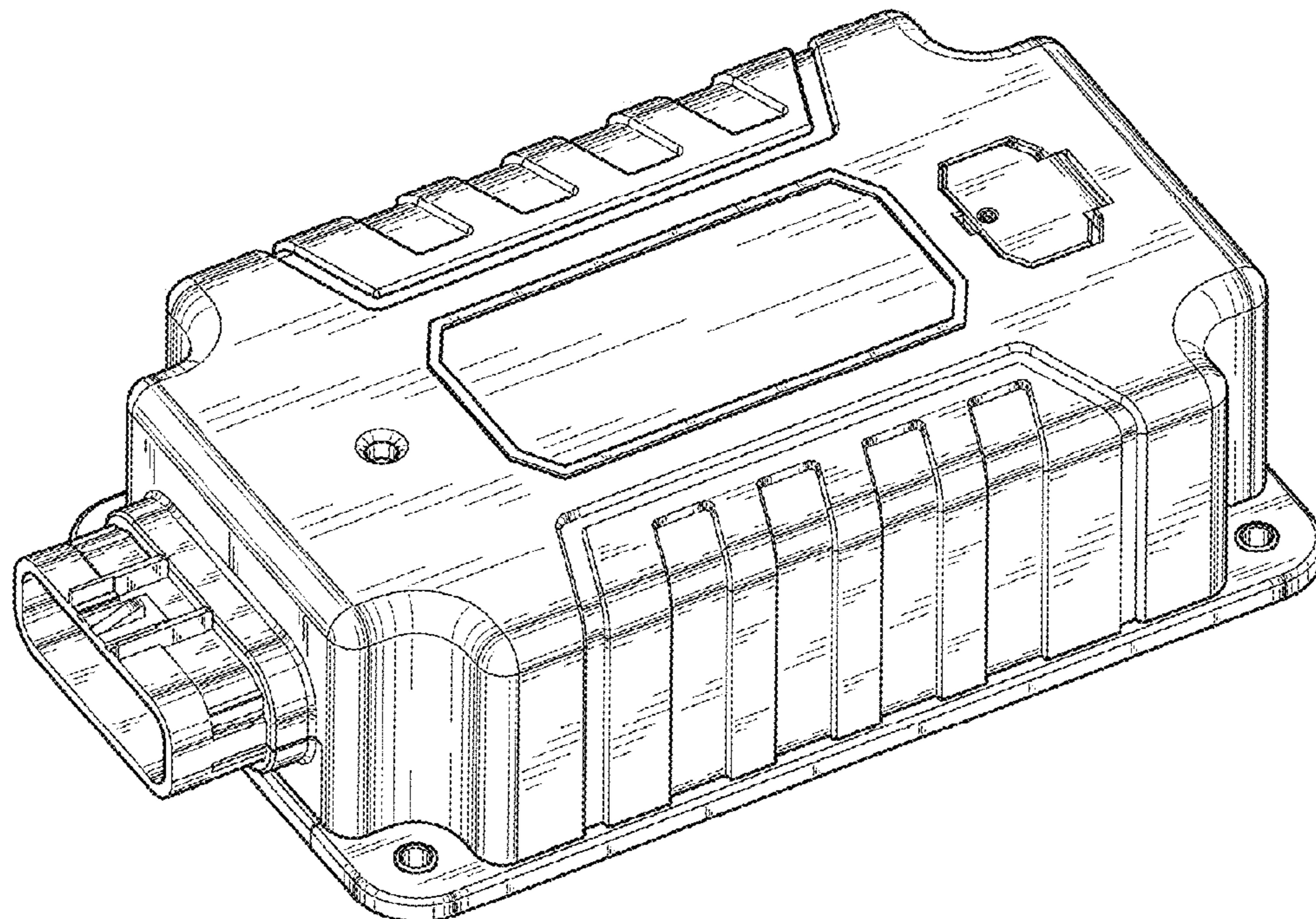
(57) **CLAIM**

The ornamental design for a capacitive discharge ignition box, as shown and described.

DESCRIPTION

FIG. 1 is a top perspective view of a capacitive discharge ignition box showing my new design;
FIG. 2 is a front view thereof, a rear view being a mirror image of the front view;
FIG. 3 is a left side view thereof;
FIG. 4 is a right side view thereof;
FIG. 5 is a top view thereof;
FIG. 6 is a bottom view thereof; and,
FIG. 7 is a bottom perspective view thereof.

1 Claim, 7 Drawing Sheets



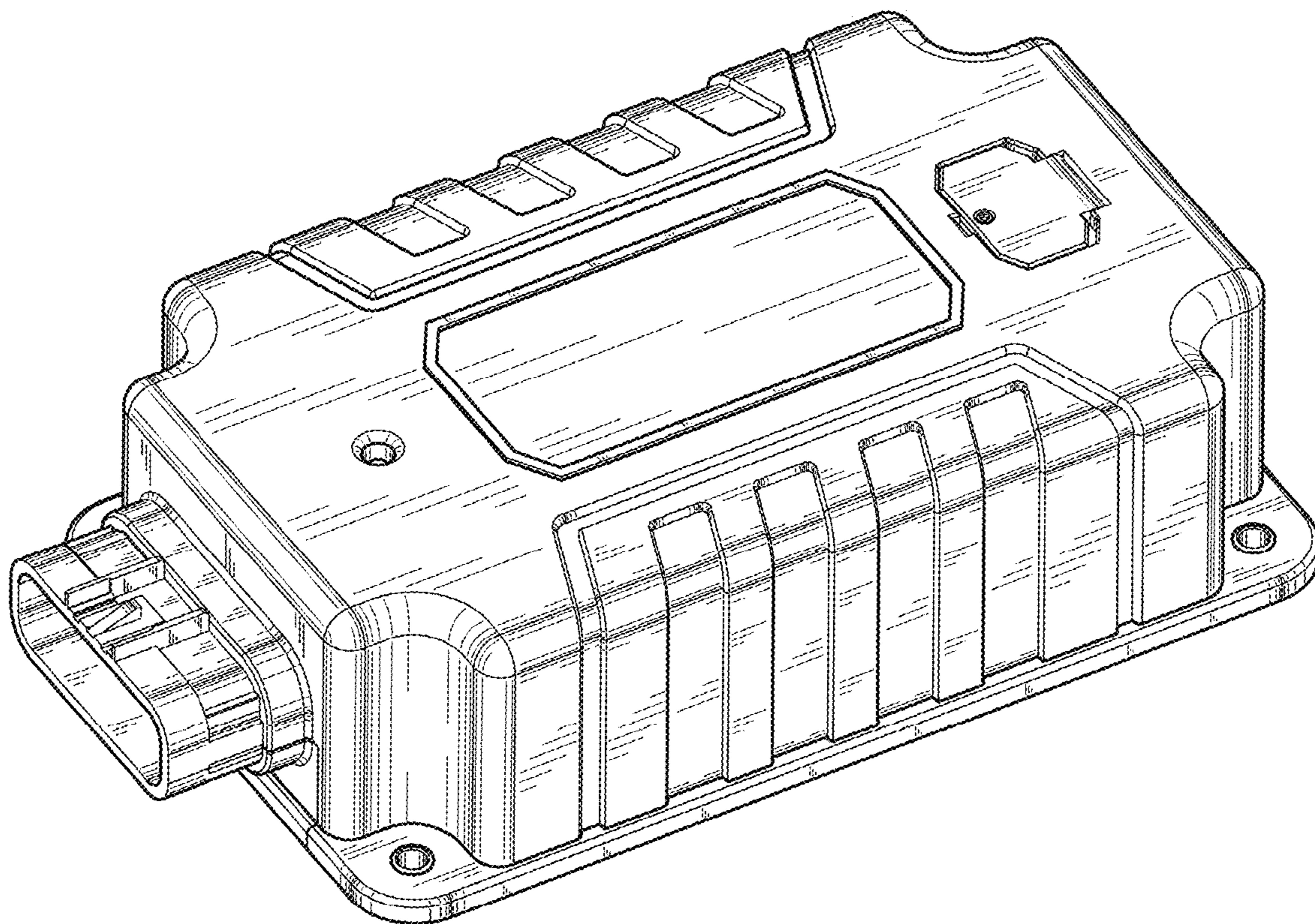


Fig. 1

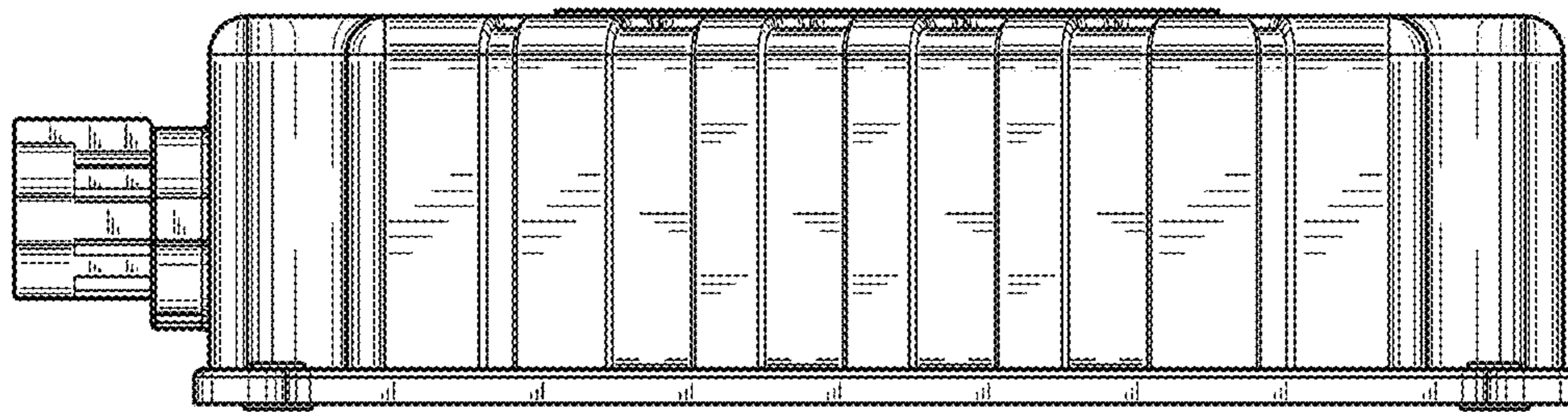


Fig. 2

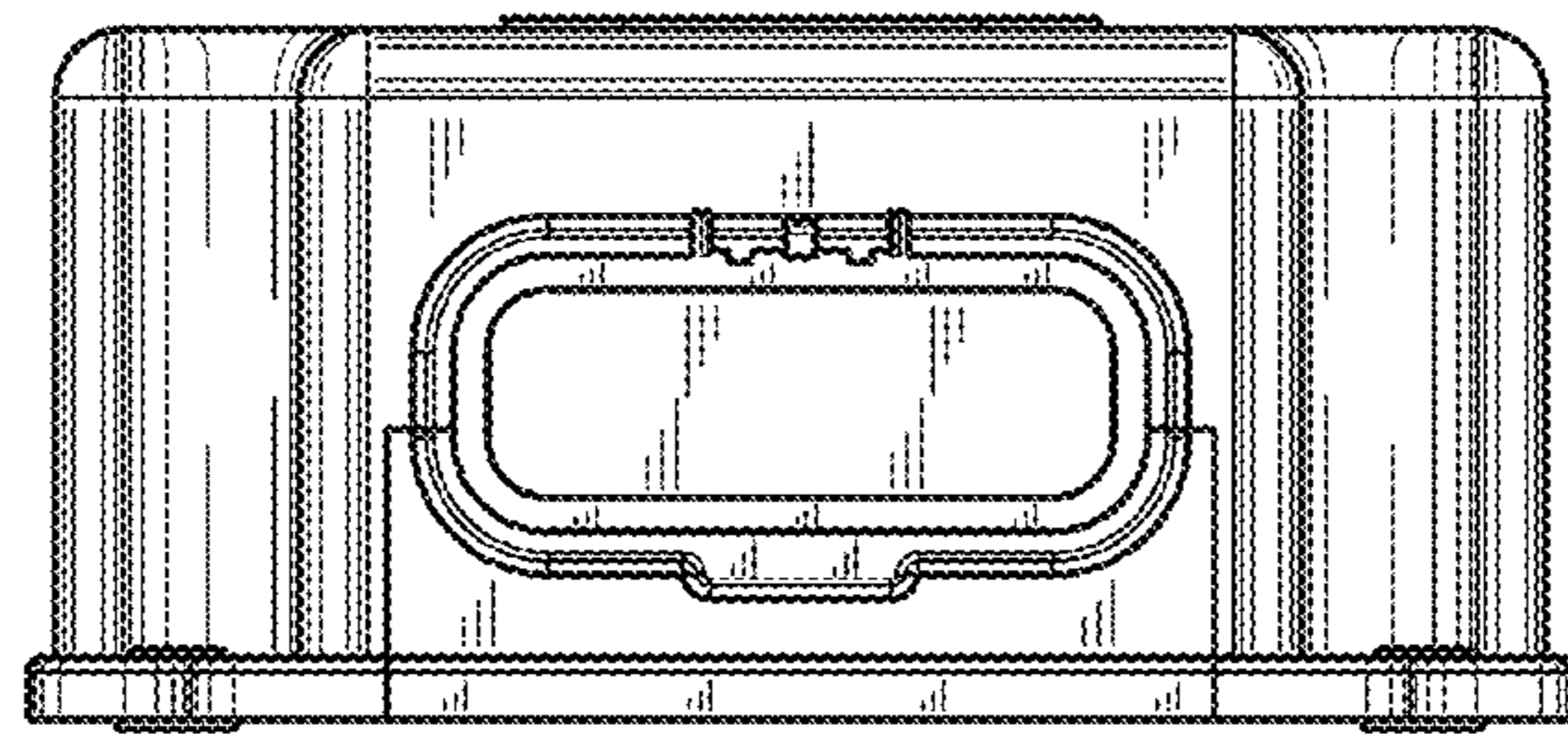


Fig. 3

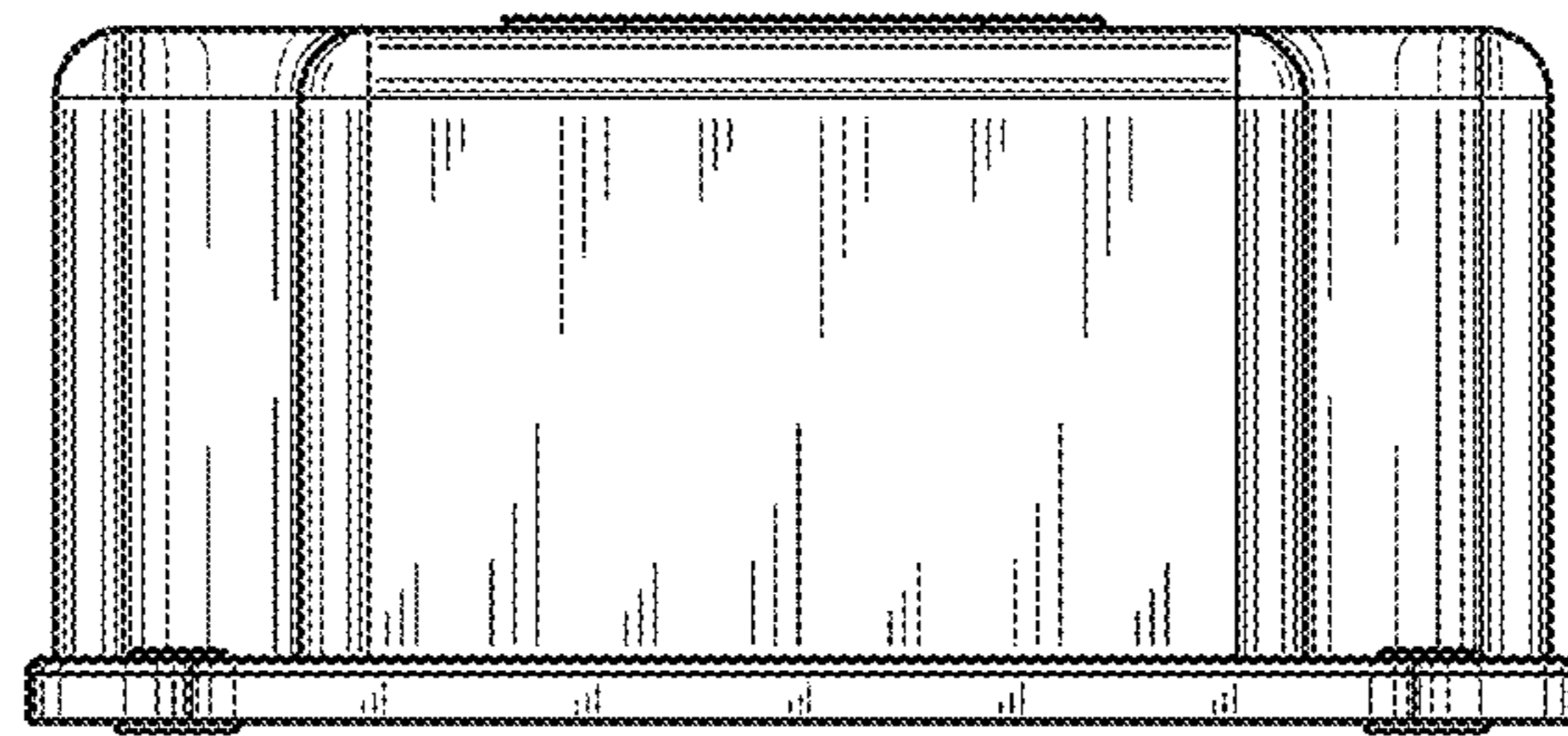


Fig. 4

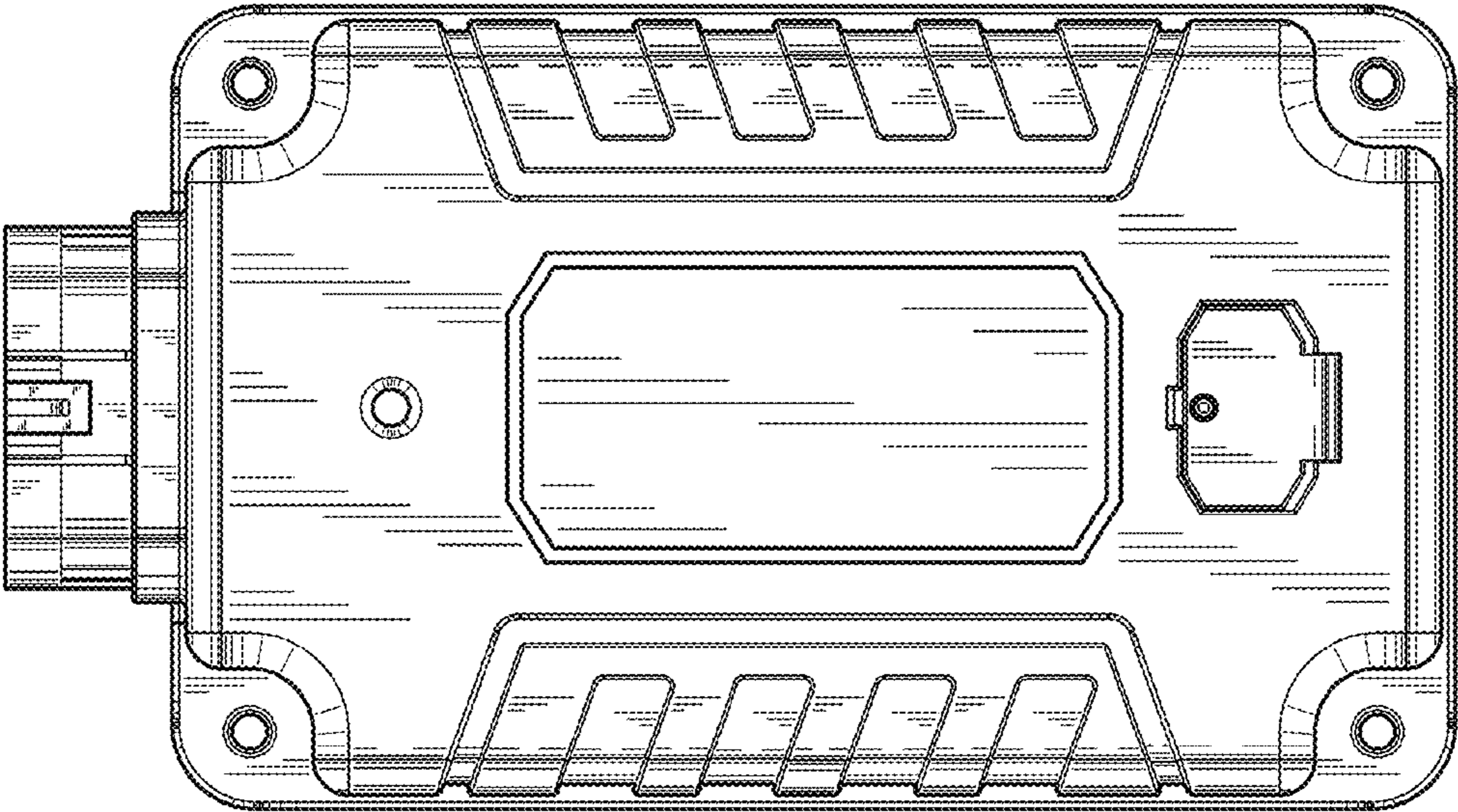


Fig. 5

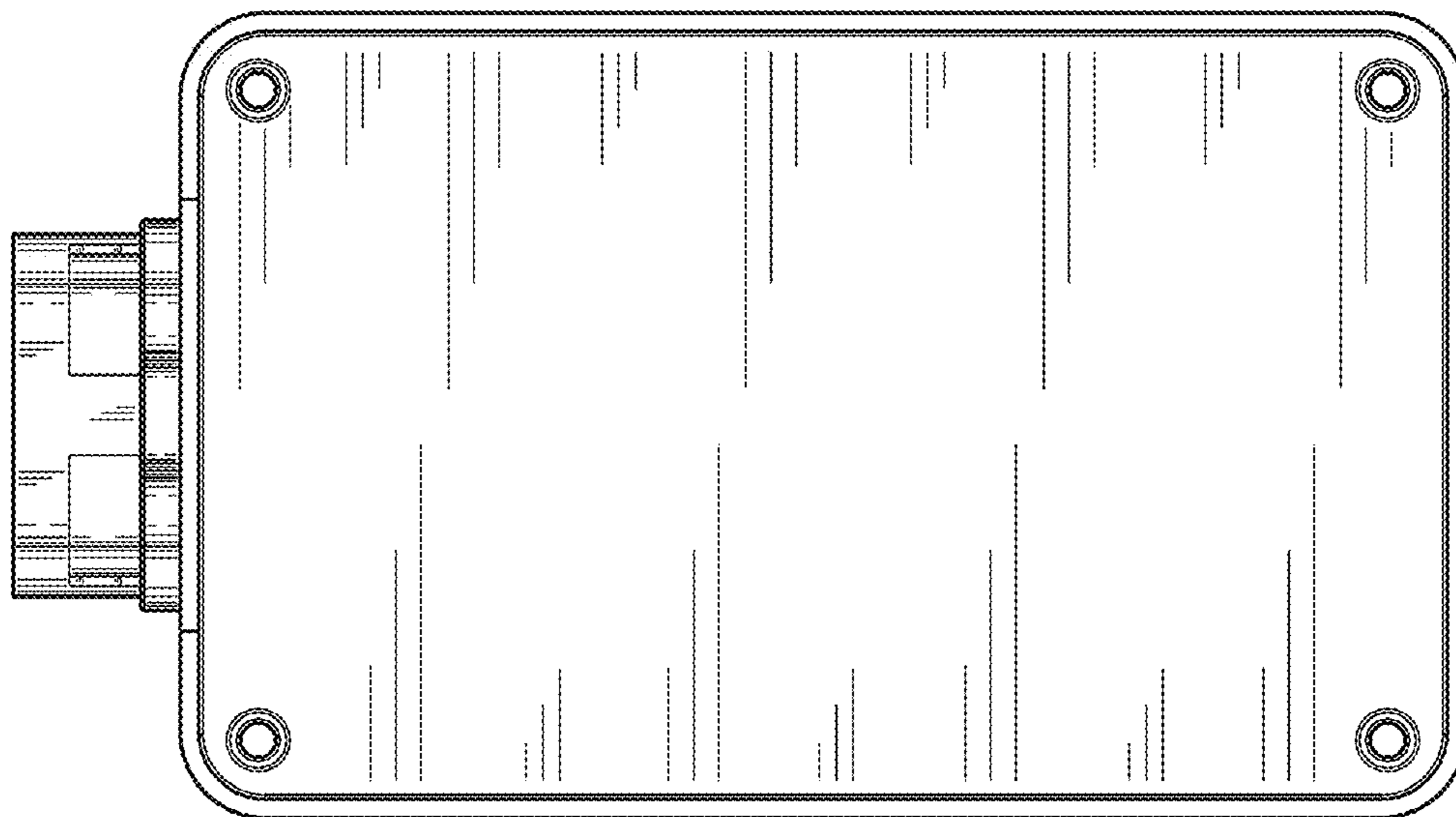


Fig. 6

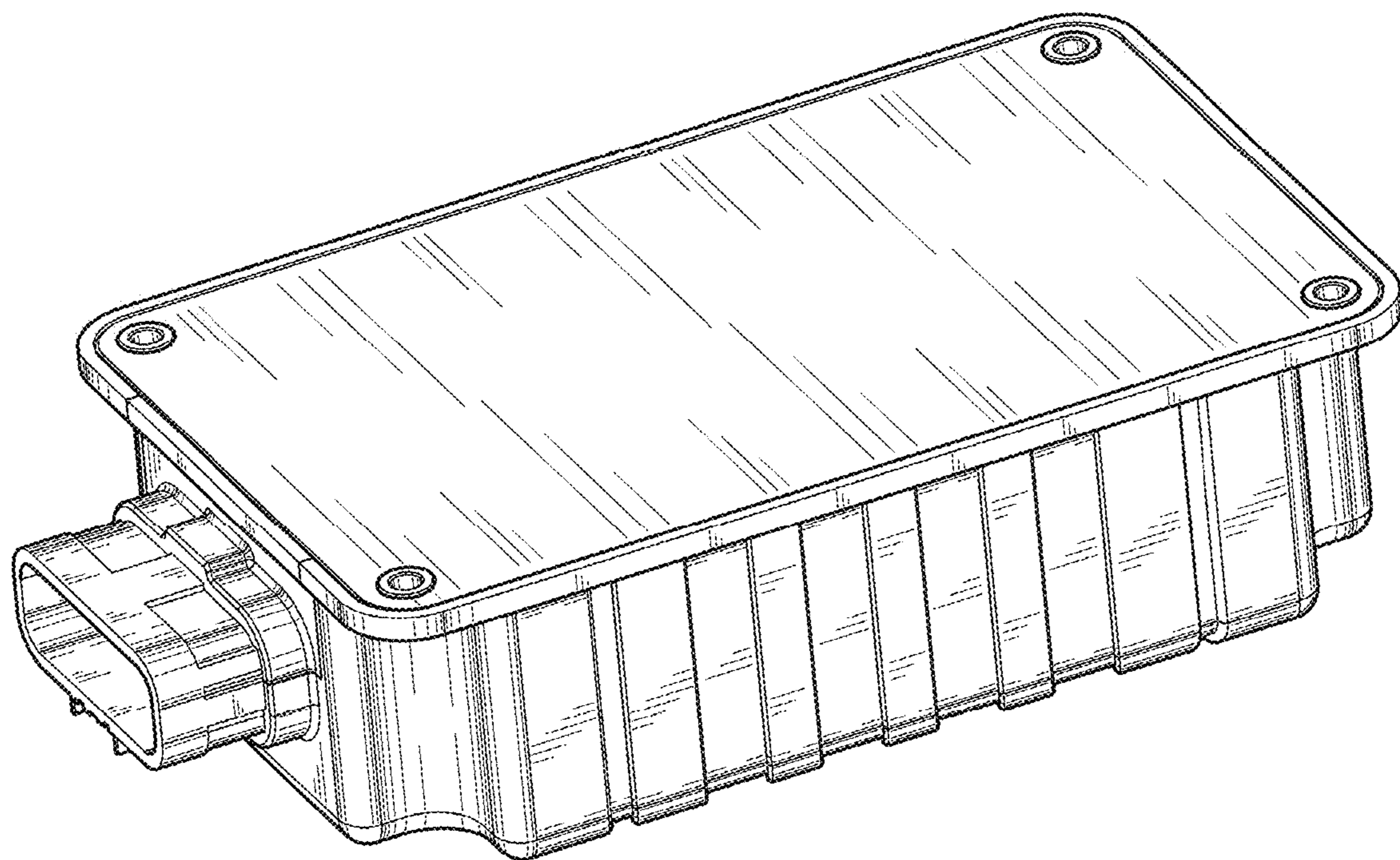


Fig. 7