



US00D985496S

(12) **United States Design Patent**  
**Wang**

(10) **Patent No.:** **US D985,496 S**

(45) **Date of Patent:** **\*\* May 9, 2023**

(54) **BATTERY CLAMP**

(71) Applicant: **Shenzhen Aukeyhi Technology Co., Ltd.**, Shenzhen (CN)

(72) Inventor: **Yang Wang**, Shenzhen (CN)

(73) Assignee: **Shenzhen Aukeyhi Technology Co., Ltd.**, Shenzhen (CN)

(\*\*) Term: **15 Years**

(21) Appl. No.: **29/800,386**

(22) Filed: **Jul. 21, 2021**

(51) **LOC (14) Cl.** ..... **13-03**

(52) **U.S. Cl.**  
USPC ..... **D13/120**

(58) **Field of Classification Search**  
USPC ..... D13/120, 149, 156; D8/72  
CPC ..... H01R 11/282; H01R 11/24  
See application file for complete search history.

(56) **References Cited**

**U.S. PATENT DOCUMENTS**

- 4,913,668 A \* 4/1990 Chamberlain ..... H01R 11/282  
439/577
- 4,936,796 A \* 6/1990 Anderson, Jr. .... H01R 31/06  
439/957

- D597,029 S \* 7/2009 Li ..... D13/120
- D689,020 S \* 9/2013 Demirjian ..... D13/120
- D738,825 S \* 9/2015 Nook ..... D13/149
- D889,411 S \* 7/2020 Wang ..... D13/120
- D946,526 S \* 3/2022 Wang ..... D13/120
- 2016/0352037 A1\* 12/2016 Adams ..... G01R 1/06788

\* cited by examiner

*Primary Examiner* — Jennifer O King

(57) **CLAIM**

The ornamental design for a battery clamp, as shown and described.

**DESCRIPTION**

FIG. 1 is a first perspective view of a battery clamp showing the claimed design in accordance with the present disclosure;

FIG. 2 is a second perspective view thereof;

FIG. 3 is a front elevational view thereof;

FIG. 4 is a rear elevational view thereof;

FIG. 5 is a left side elevational view thereof;

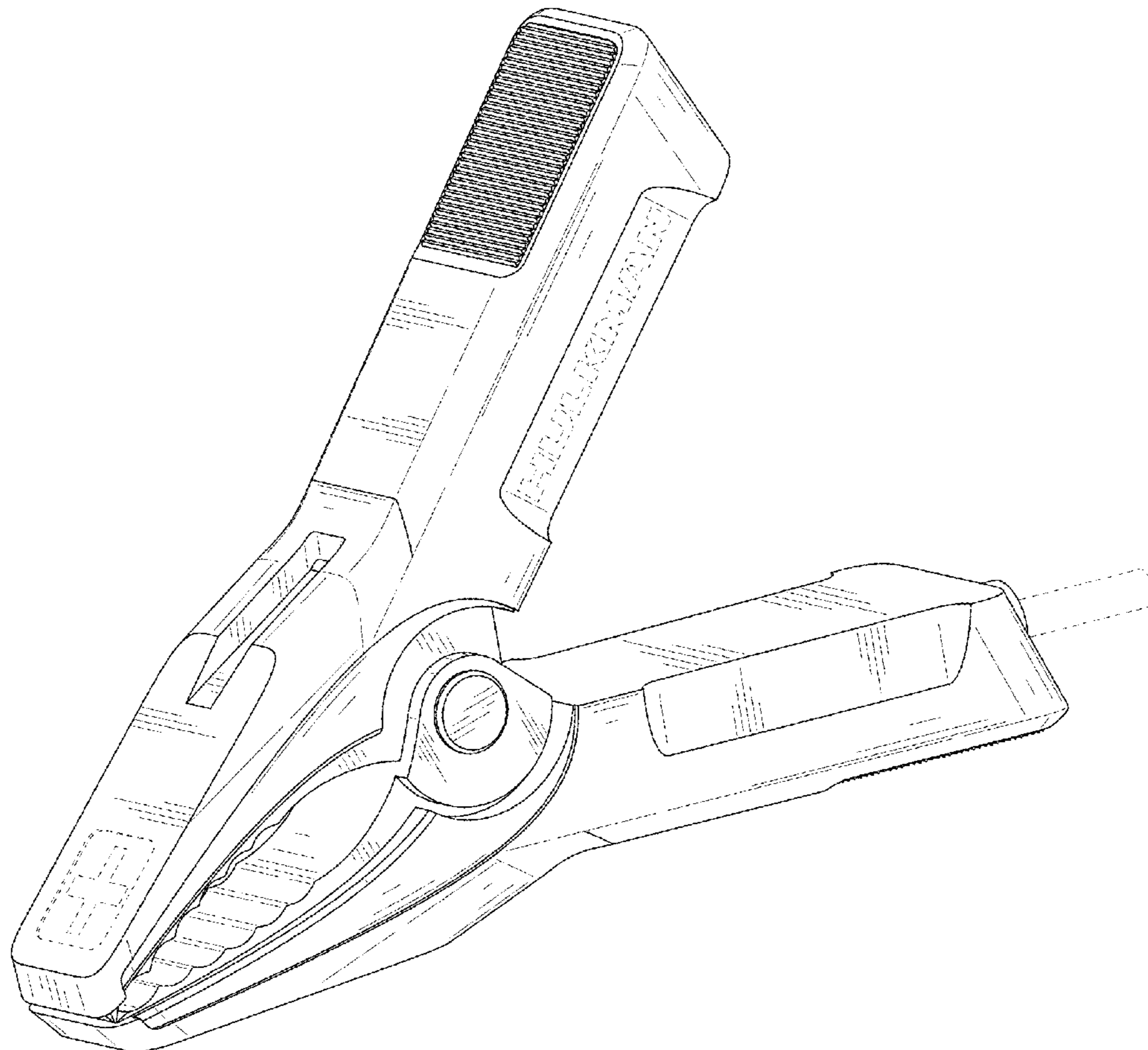
FIG. 6 is a right side elevational view thereof;

FIG. 7 is a top plan thereof; and,

FIG. 8 is a bottom plan view thereof.

The broken lines in the Figures are for the purpose of illustrating portions of the article that form no part of the claimed design.

**1 Claim, 8 Drawing Sheets**



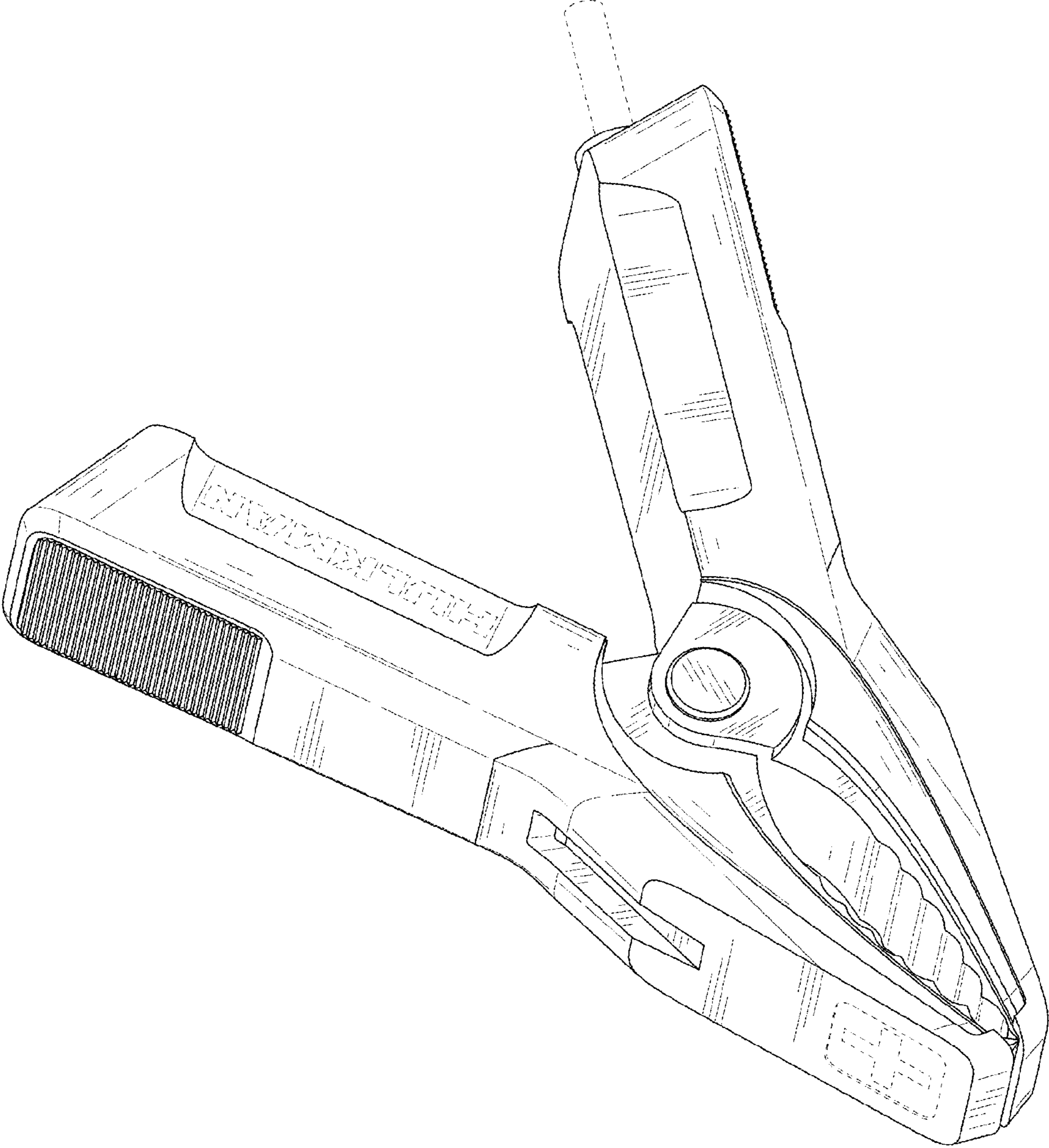


FIG. 1

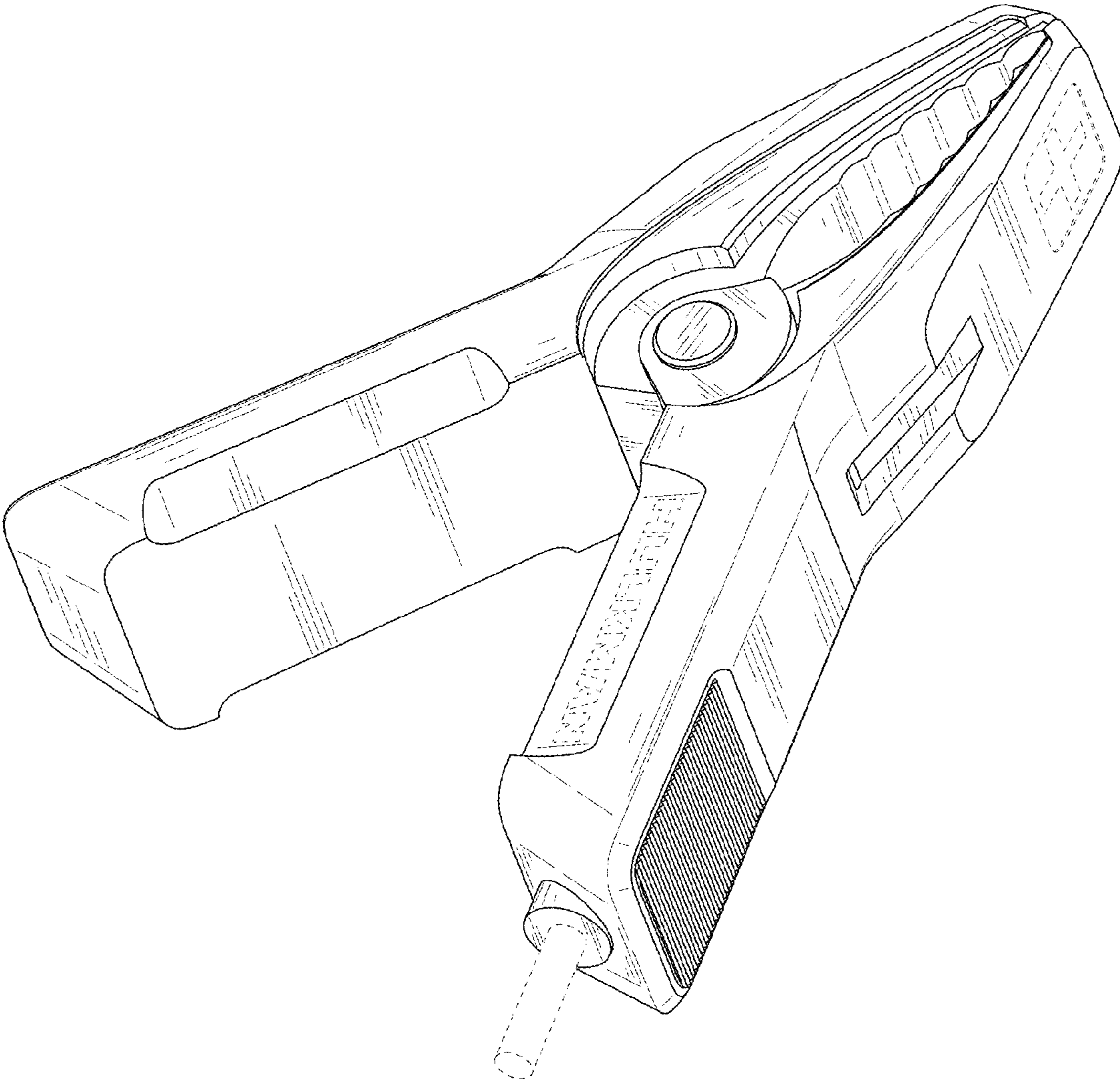


FIG. 2



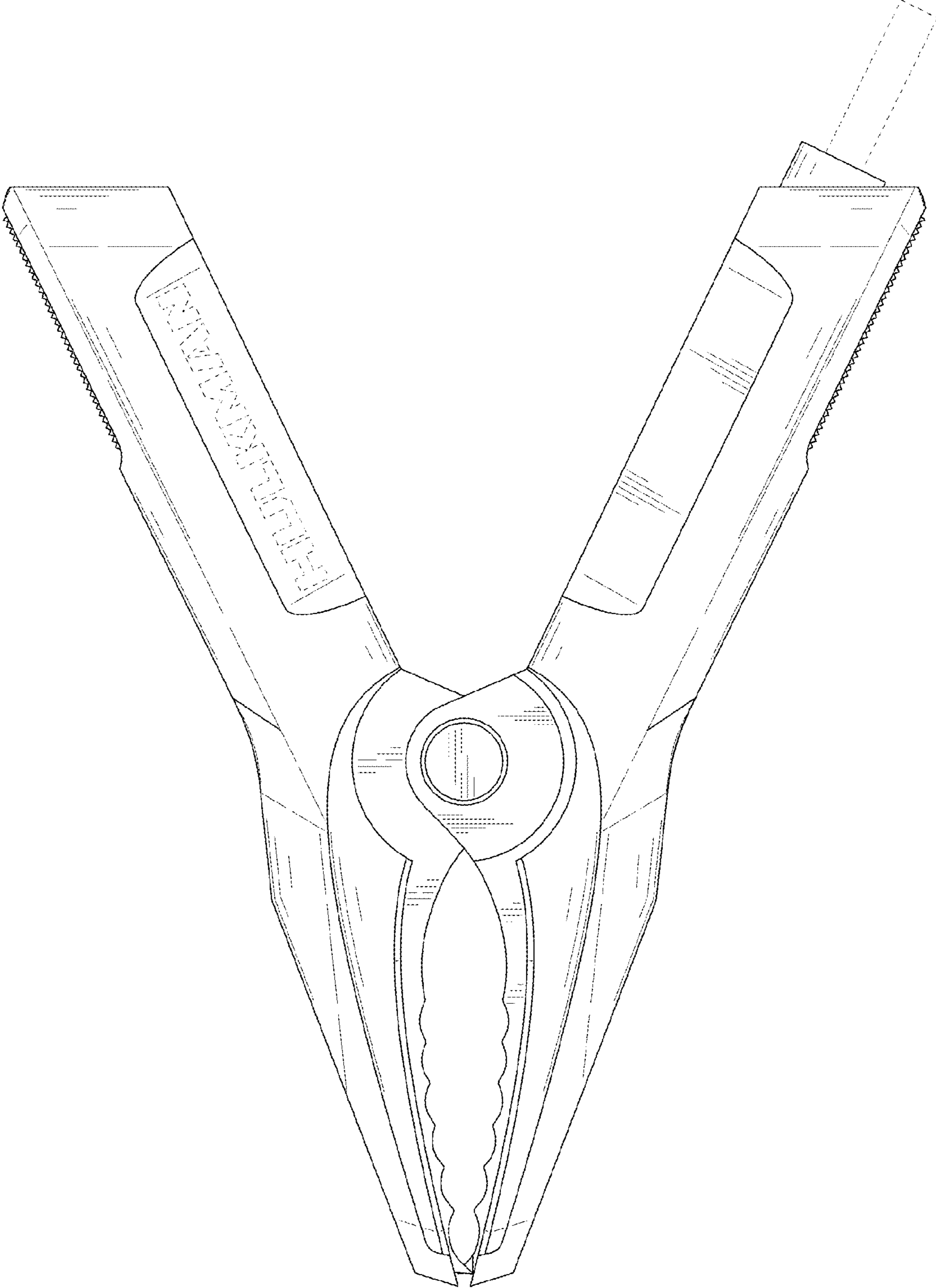


FIG. 3

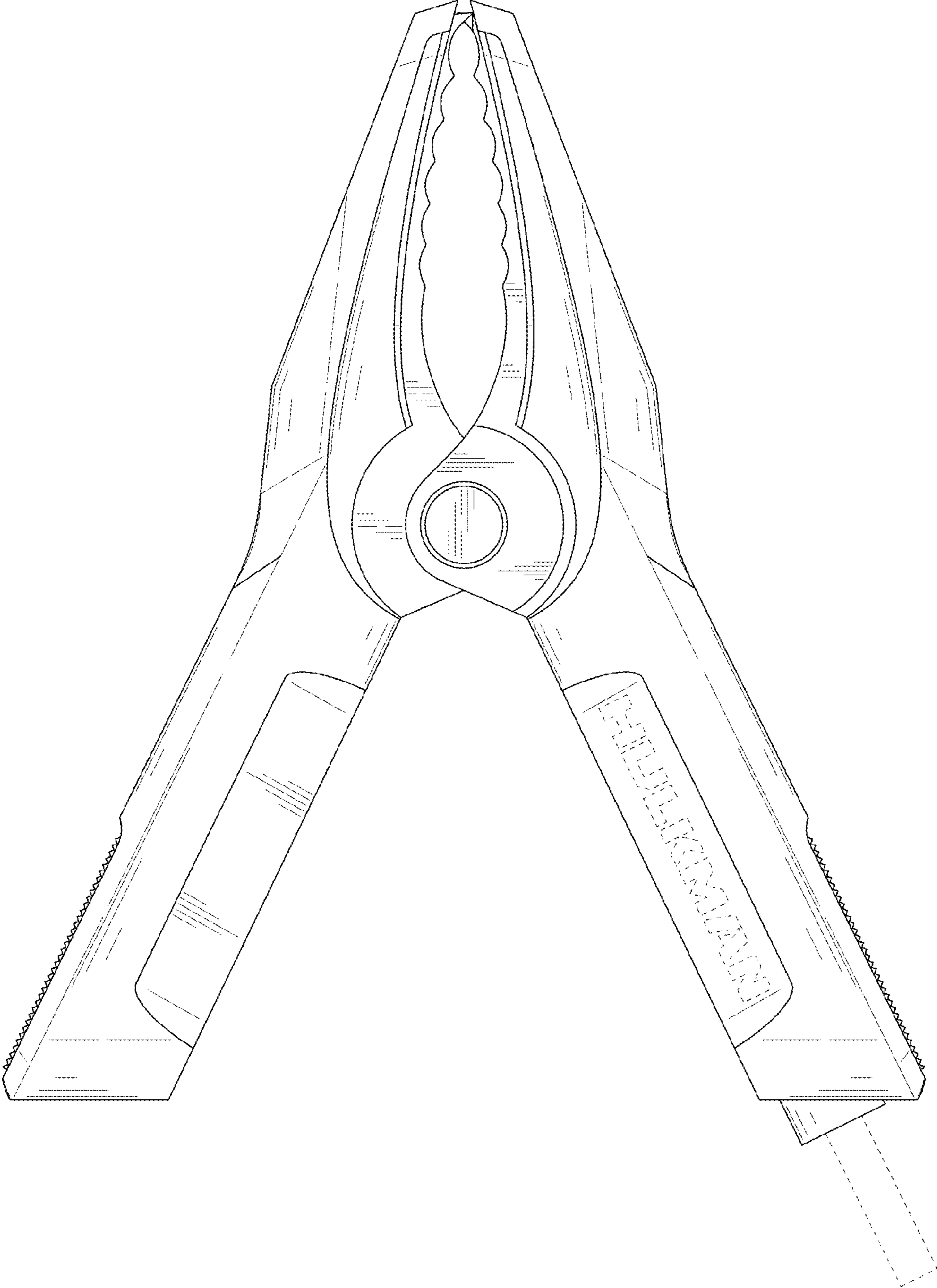


FIG. 4

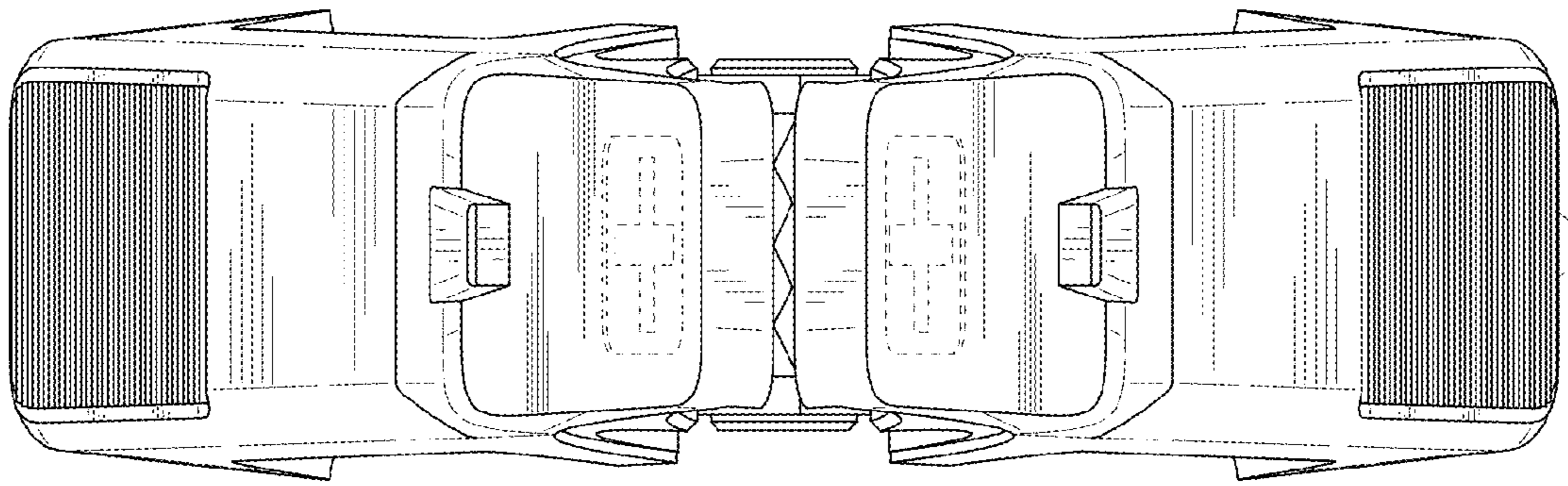


FIG. 5

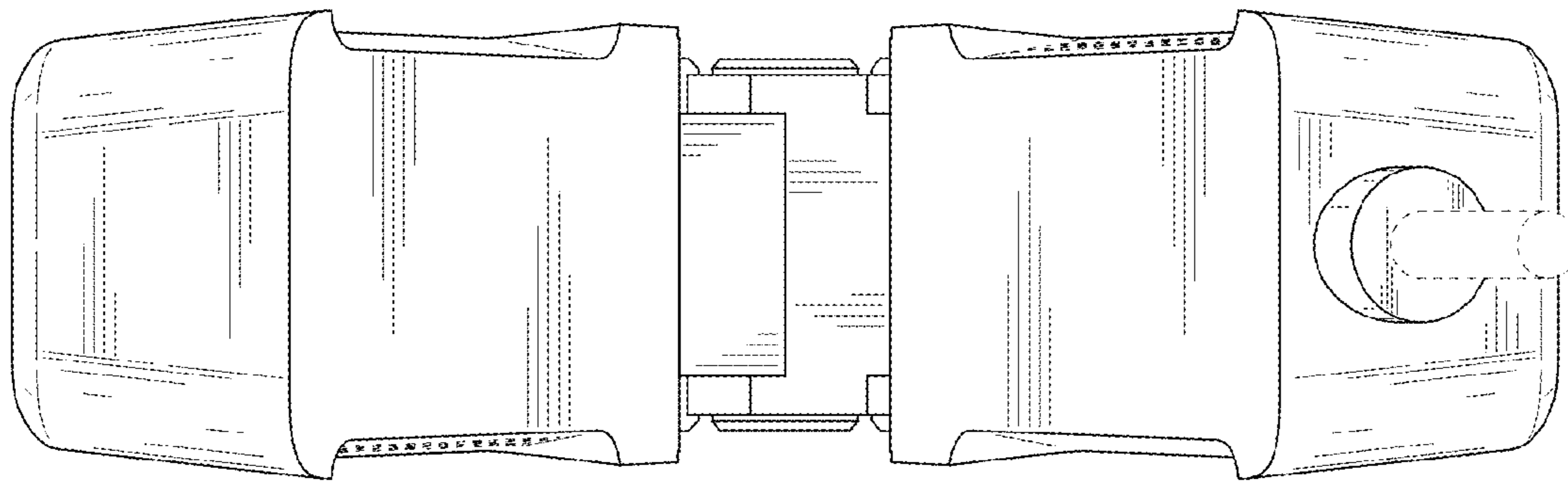


FIG. 6

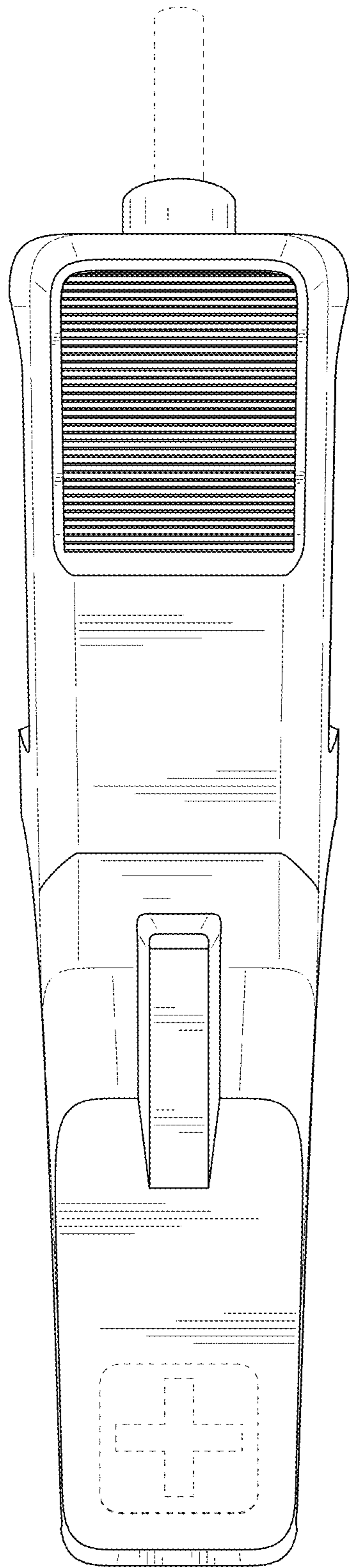


FIG. 7



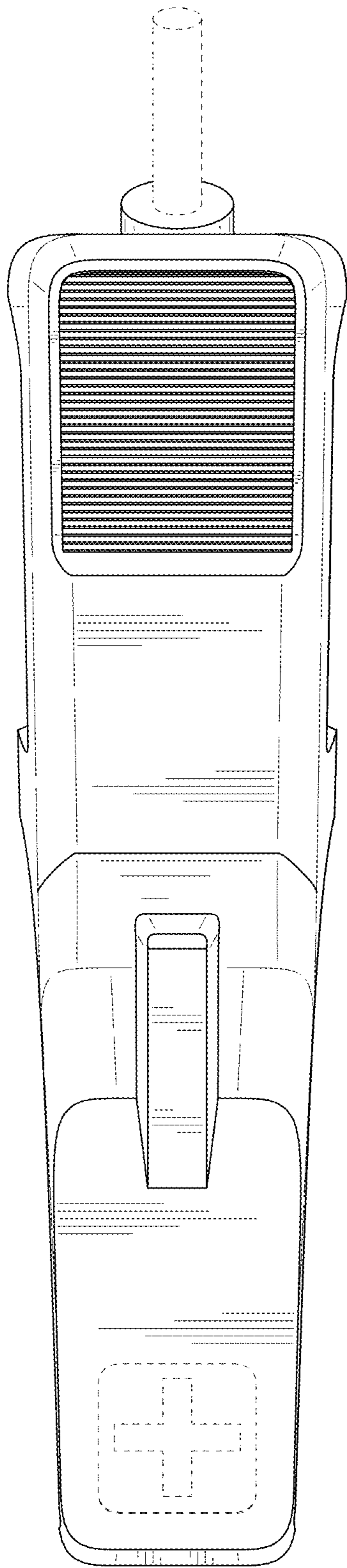


FIG. 8