



US00D985495S

(12) **United States Design Patent** (10) **Patent No.:** **US D985,495 S**  
**Shi** (45) **Date of Patent:** **\*\* May 9, 2023**

(54) **INVERTER**  
(71) Applicant: **Fengqing Shi**, Huainan (CN)  
(72) Inventor: **Fengqing Shi**, Huainan (CN)  
(\*\*) Term: **15 Years**  
(21) Appl. No.: **29/814,340**  
(22) Filed: **Nov. 5, 2021**  
(51) **LOC (14) Cl.** ..... **13-02**  
(52) **U.S. Cl.**  
USPC ..... **D13/110**  
(58) **Field of Classification Search**  
USPC ..... D13/101, 102, 103, 107, 108, 110, 118,  
D13/119, 123, 184, 199; D14/251, 253,  
D14/432, 434  
CPC .. H02J 7/00; H02J 7/027; H02J 7/0042; H02J  
7/0045; H02J 7/0047; H02J 7/0063; H02J  
7/32; H02J 7/342; H02J 7/1423; H02M  
7/00; H02M 7/02; H02M 7/003; H01M  
2/202; H01M 2/204; H01M 2/1022;  
H01M 2/342; H05K 5/0247; H05K  
5/0017; Y02T 10/7005; Y02T 10/705;  
Y02T 10/7088; F21L 4/00  
See application file for complete search history.

D889,410 S \* 7/2020 Birkholz ..... D13/119  
D929,330 S \* 8/2021 Pauken ..... D13/112  
D932,430 S \* 10/2021 Li ..... D13/110

**OTHER PUBLICATIONS**

[https://www.amazon.com/SUnMilY-Portable-Compatible-Milwaukee-110V-120V/dp/B09DKGBQKW?ref\\_=ast\\_sto\\_dp](https://www.amazon.com/SUnMilY-Portable-Compatible-Milwaukee-110V-120V/dp/B09DKGBQKW?ref_=ast_sto_dp) Sunmily 150W portable power supply—Aug. 25, 2021 (Year: 2021).\*

\* cited by examiner

*Primary Examiner* — Derrick E Holland

(57) **CLAIM**

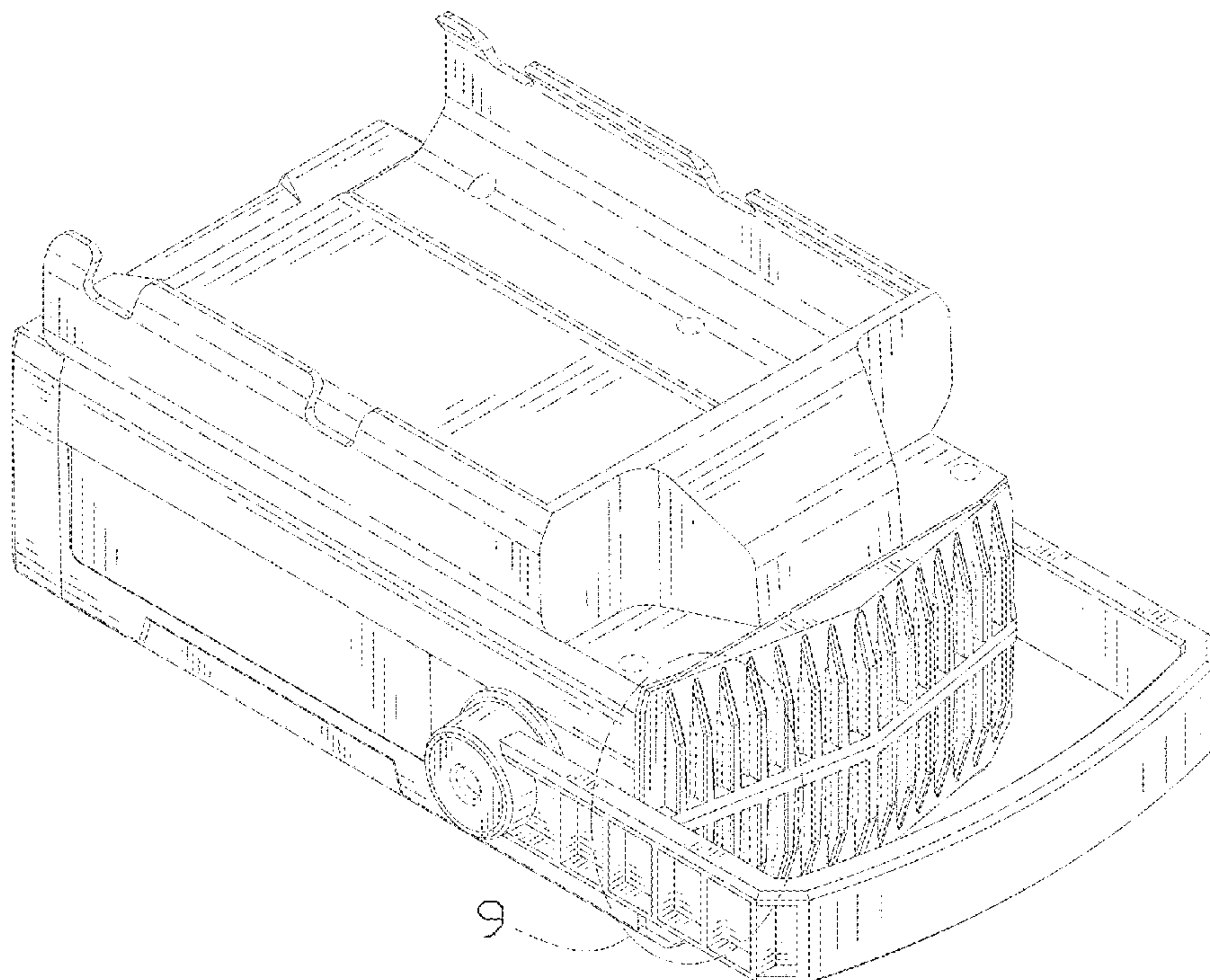
The ornamental design for an inverter, as shown and described.

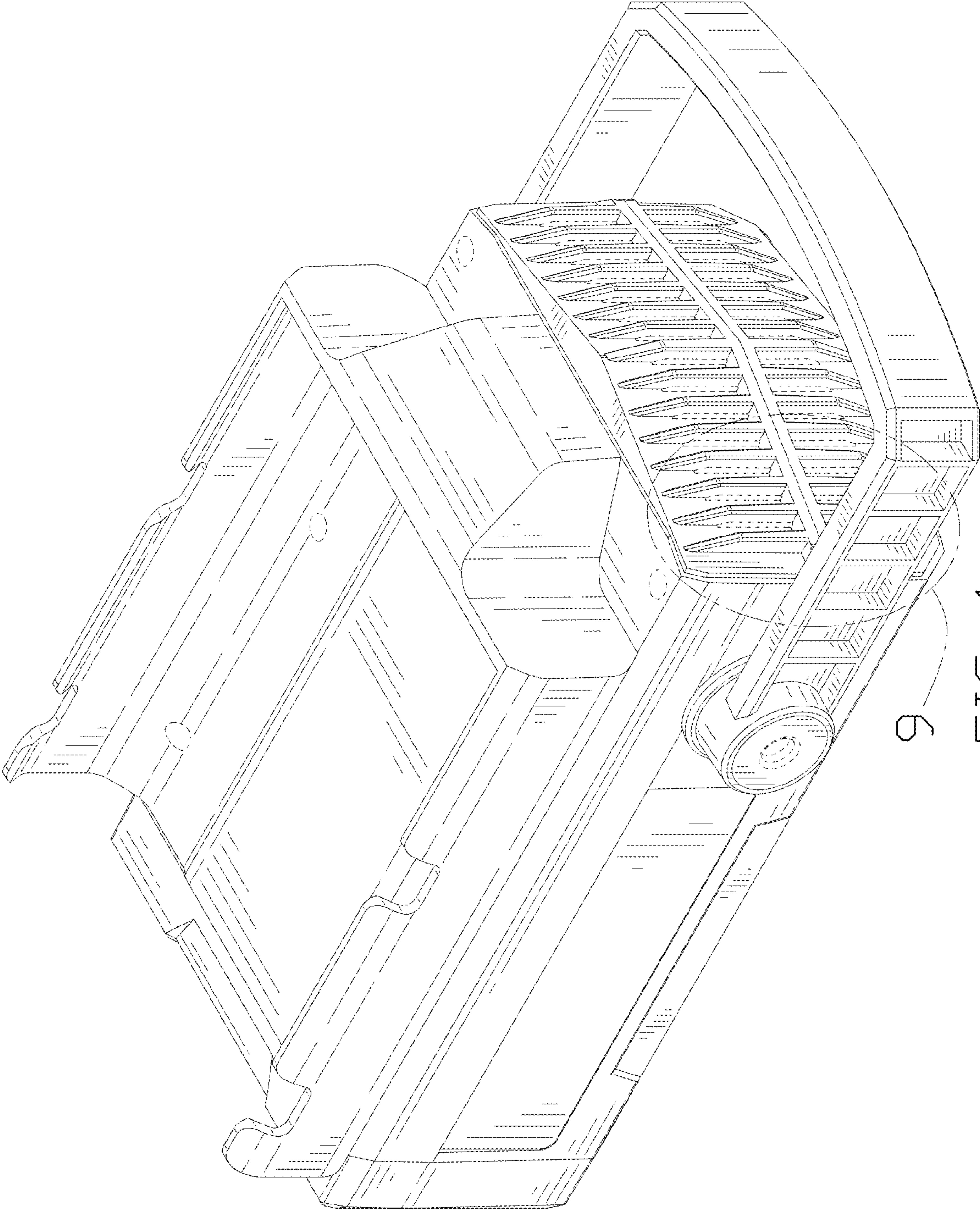
**DESCRIPTION**

FIG. 1 is a perspective view of an inverter showing my new design;  
FIG. 2 is another perspective view thereof;  
FIG. 3 is a front elevational view thereof;  
FIG. 4 is a rear elevational view thereof;  
FIG. 5 is a left side elevational view thereof;  
FIG. 6 is a right side elevational view thereof;  
FIG. 7 is a top plan view thereof;  
FIG. 8 is a bottom plan view thereof;  
FIG. 9 is an enlarged view of portion 9 shown in FIG. 1; and,  
FIG. 10 is an enlarged view of portion 10 shown in FIG. 2.  
The dash-dash broken lines in the drawings depict portions of the inverter that form no part of the claimed design. The dot-dash broken lines represent boundaries of the enlarged portions and form no part of the claimed design.

**1 Claim, 10 Drawing Sheets**

(56) **References Cited**  
U.S. PATENT DOCUMENTS  
5,742,478 A \* 4/1998 Wu ..... H05K 7/20445  
361/728  
D662,053 S \* 6/2012 Inskeep ..... D13/110  
D704,638 S \* 5/2014 Inskeep ..... D13/110  
D870,667 S \* 12/2019 James ..... D13/110





9  
FIG. 1



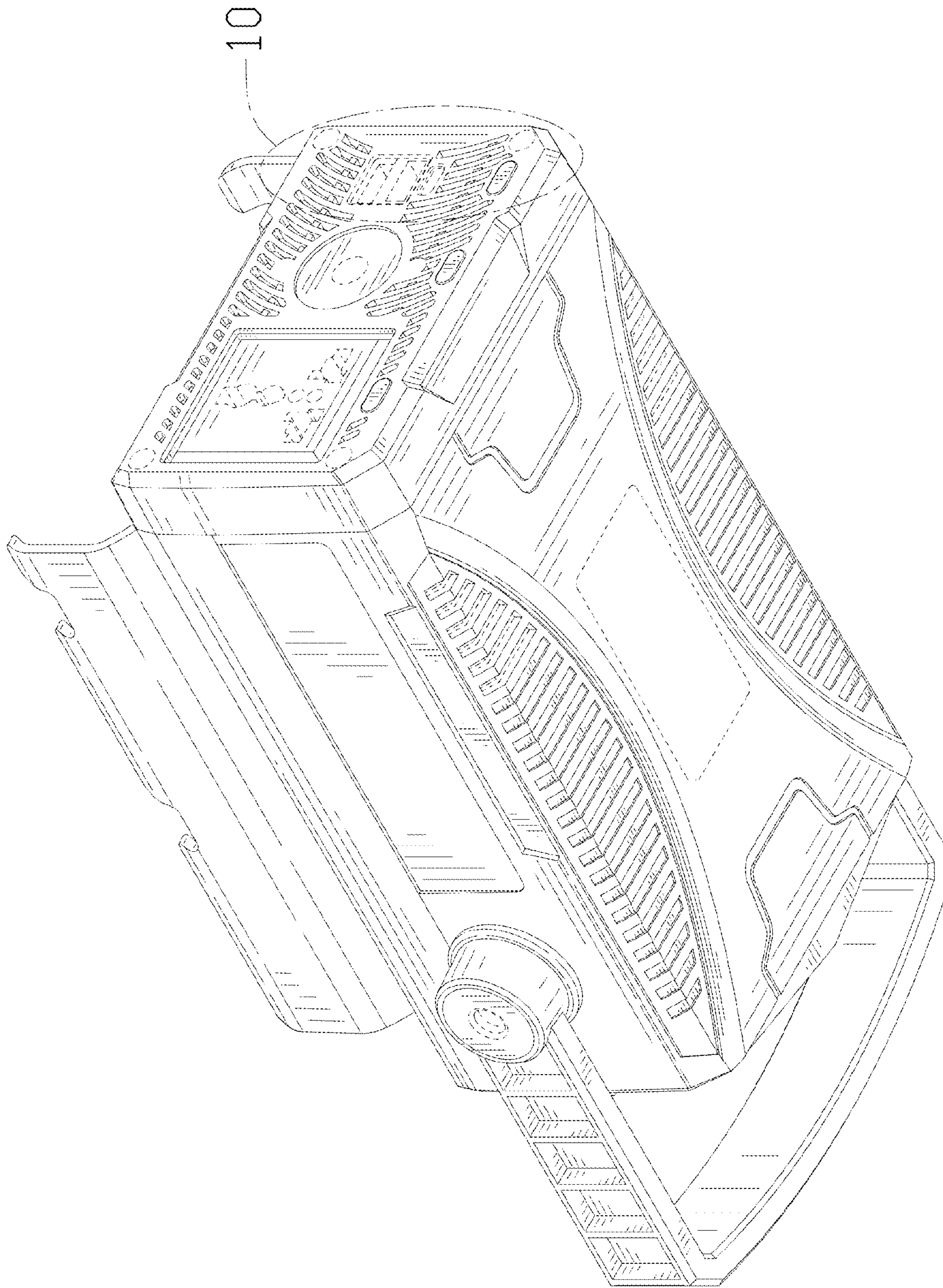


FIG. 2

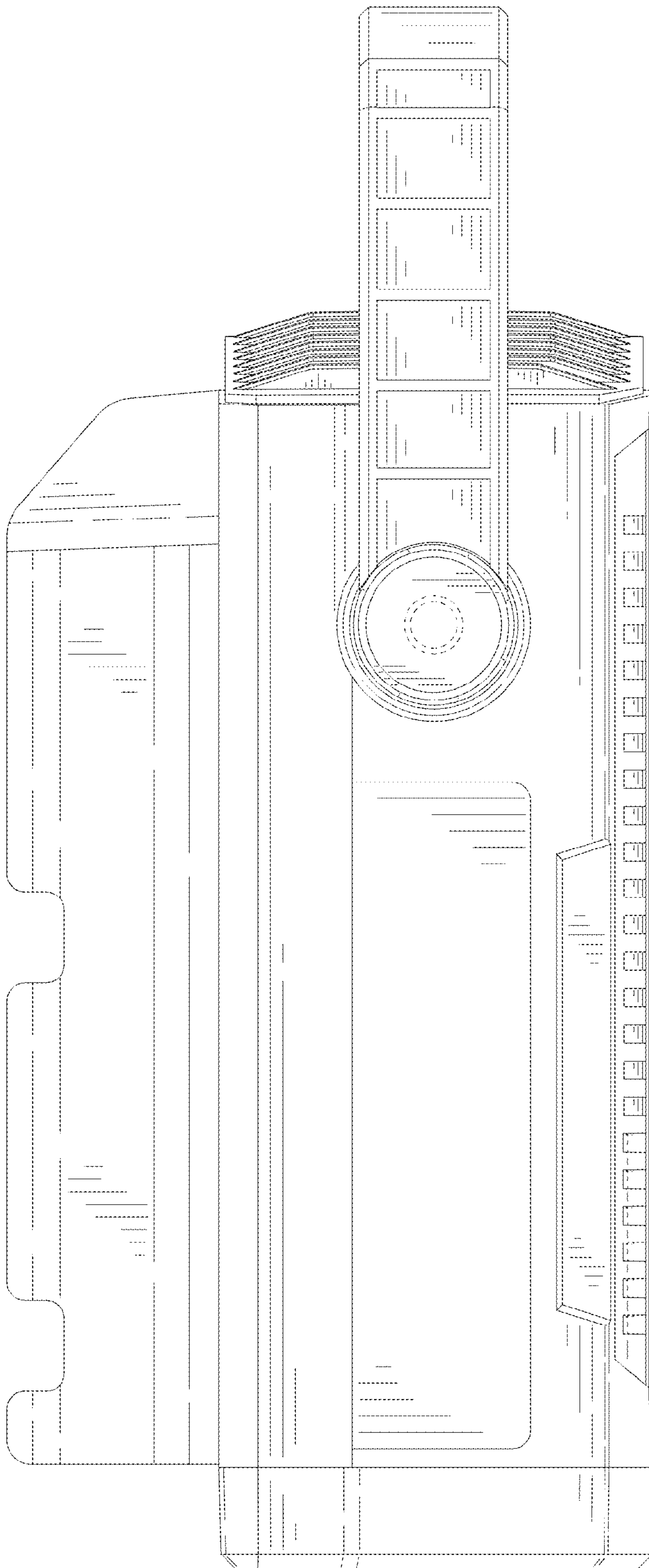


FIG. 3

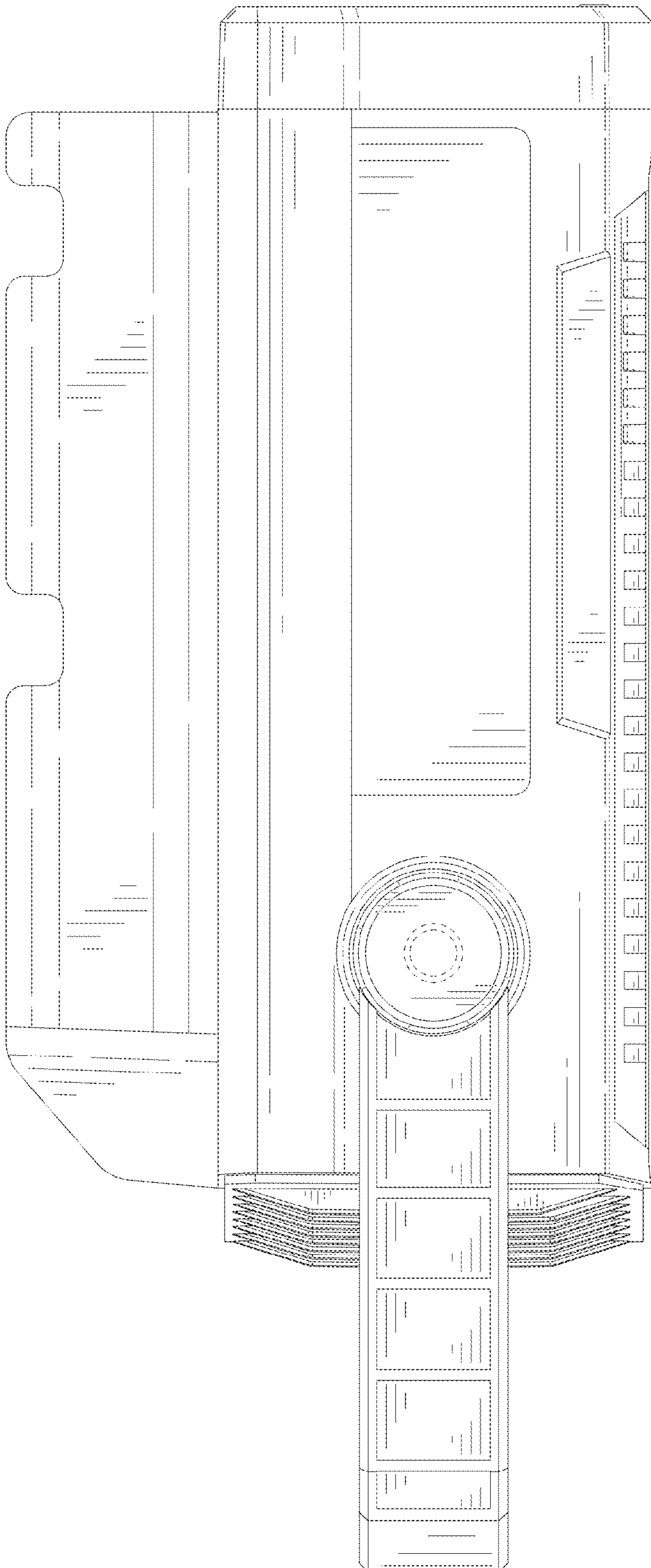


FIG. 4



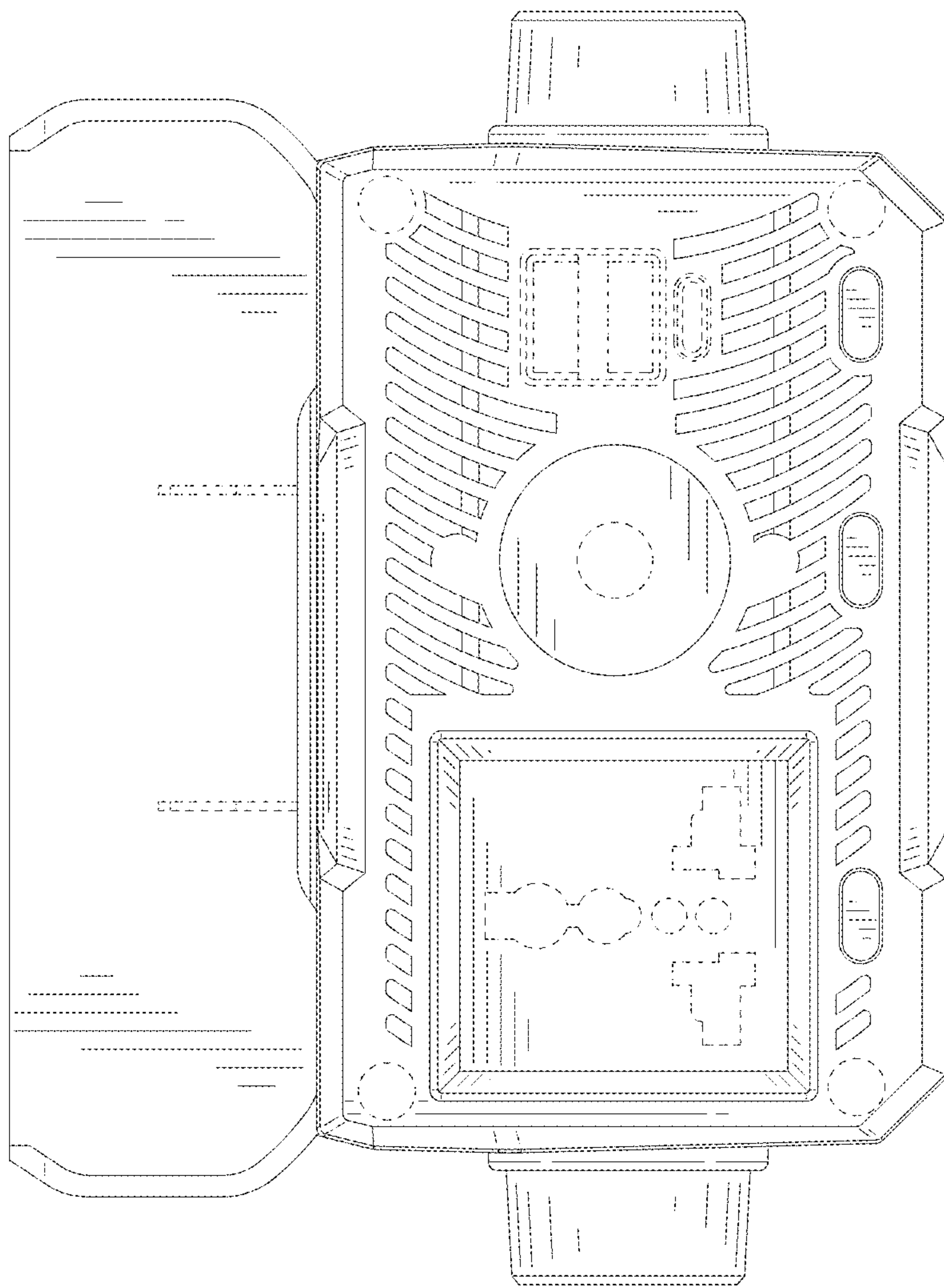


FIG. 5

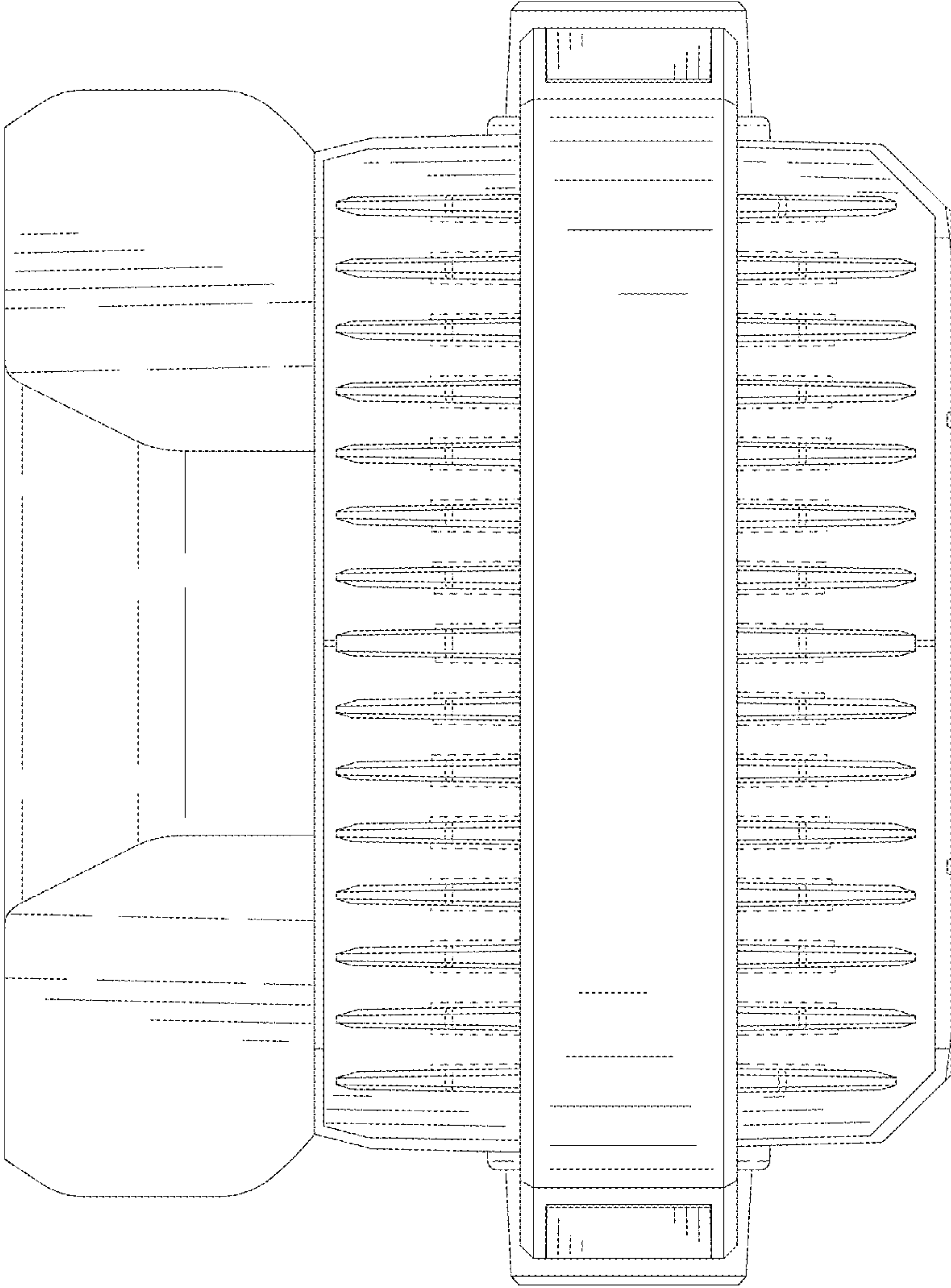


FIG. 6

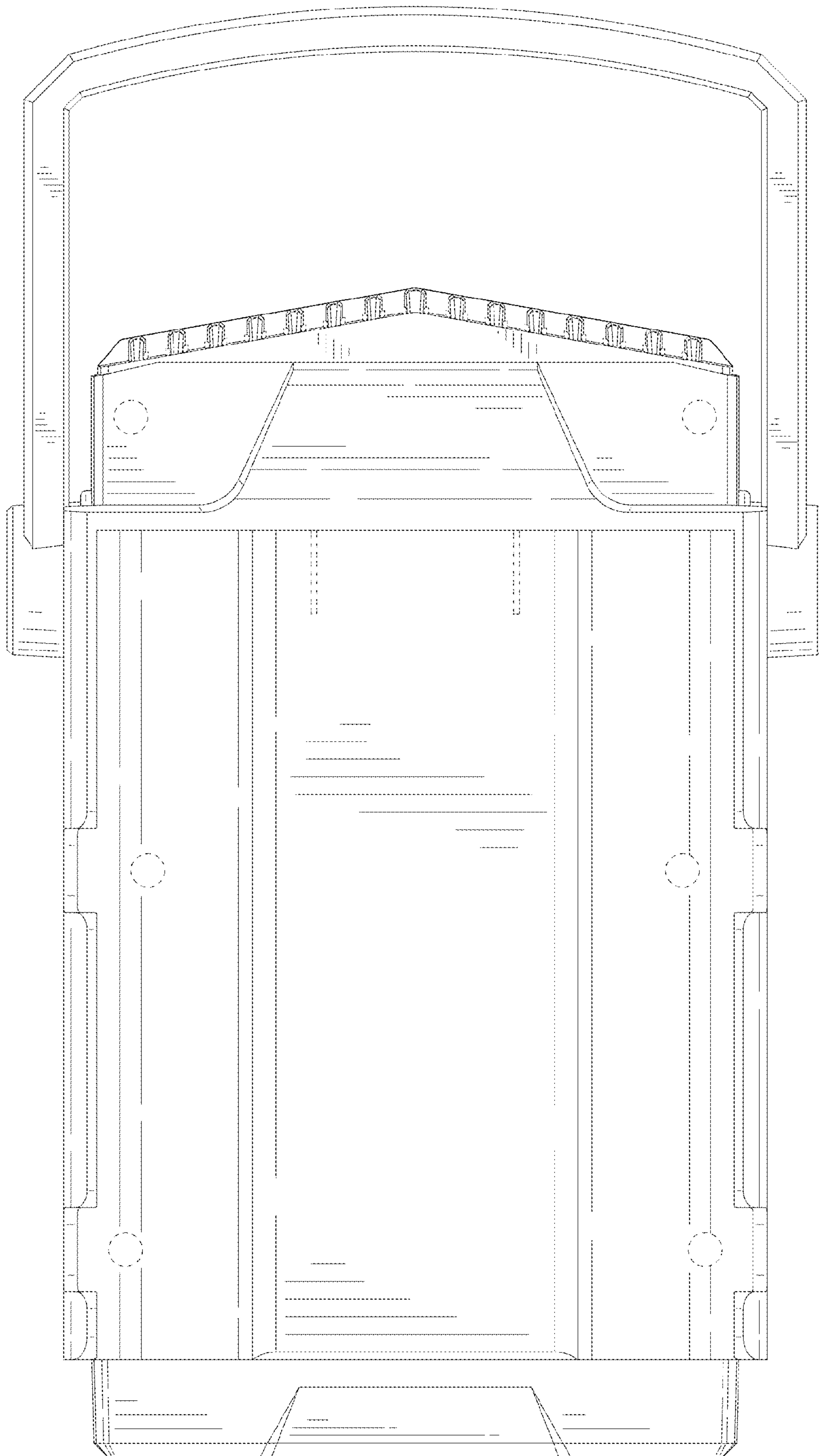


FIG. 7



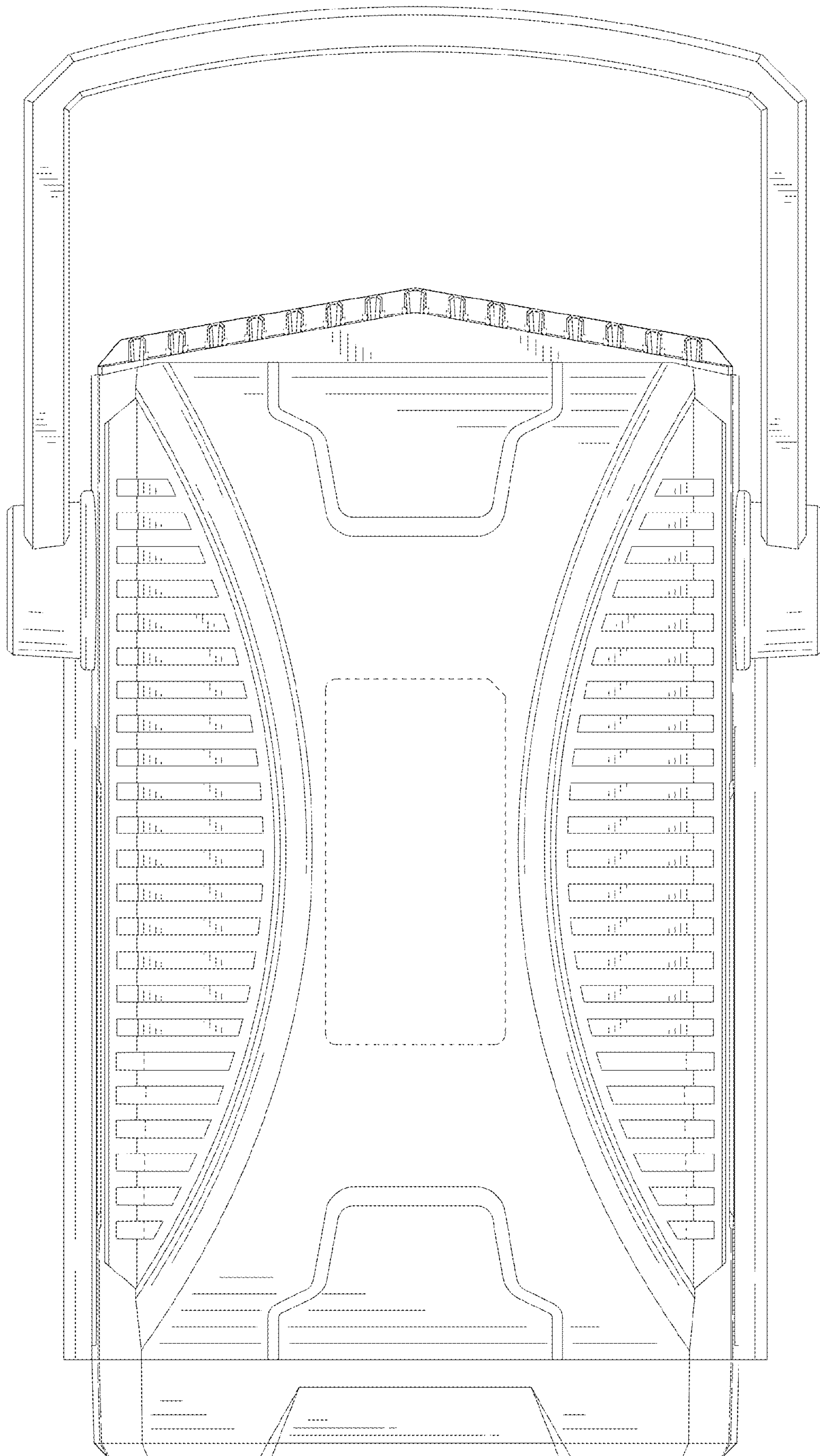


FIG. 8

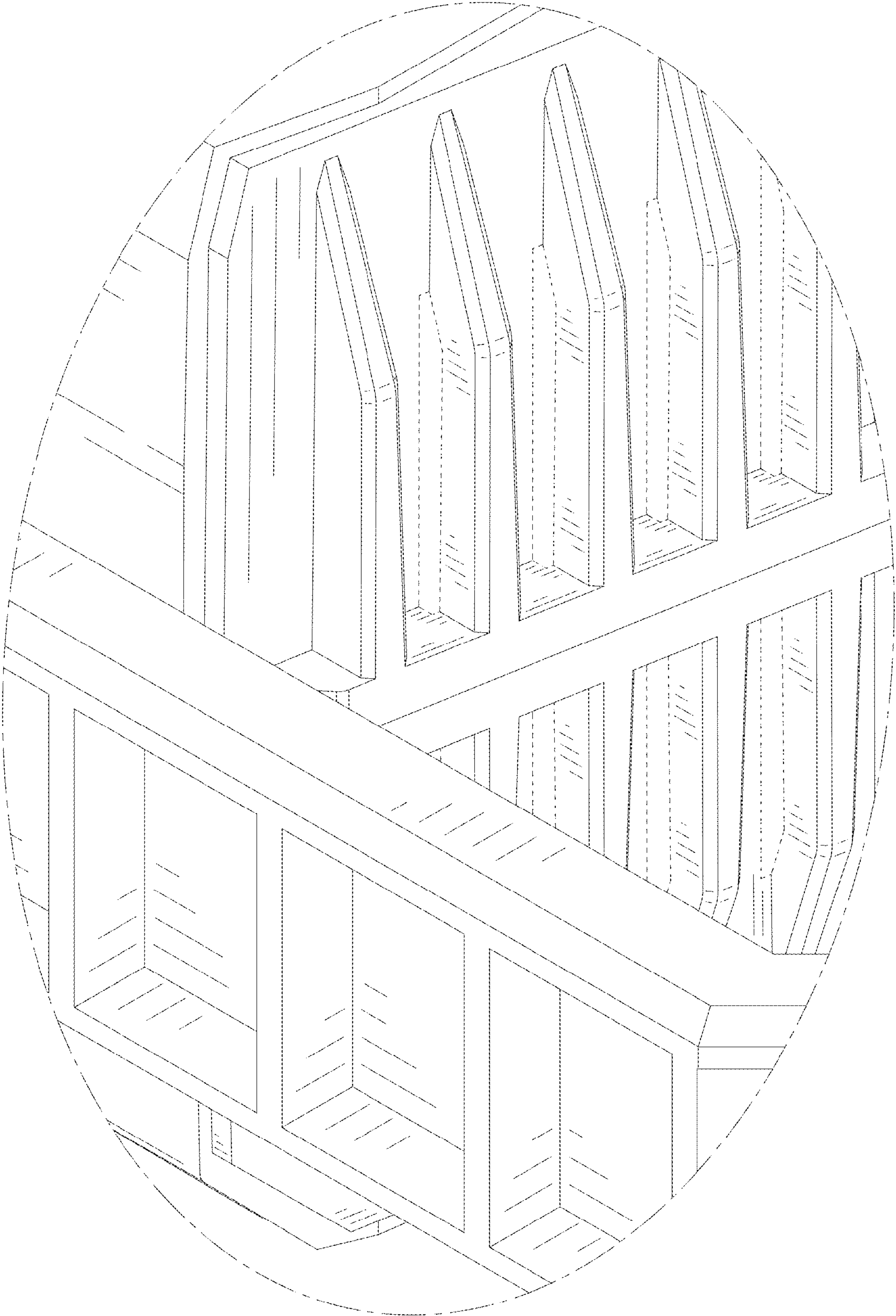


FIG. 9

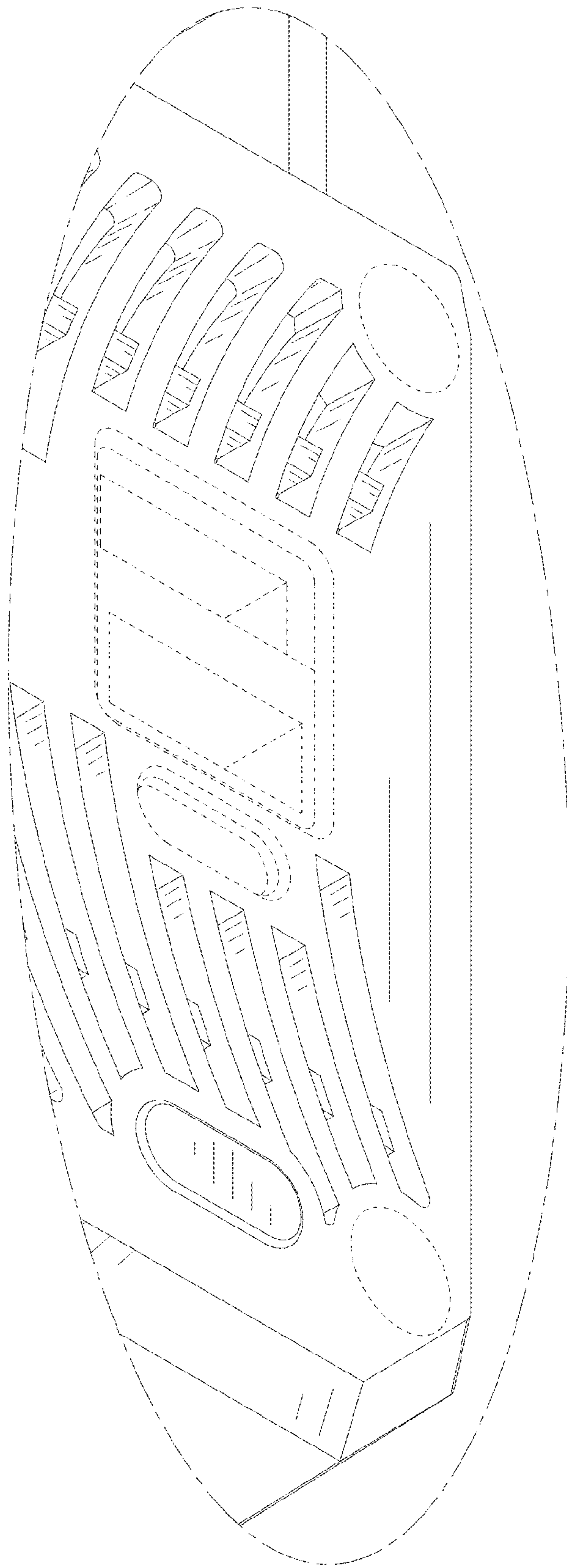


FIG. 10