



US00D985494S

(12) **United States Design Patent** (10) **Patent No.:** **US D985,494 S**
Shi (45) **Date of Patent:** **** May 9, 2023**

(54) **INVERTER**
(71) Applicant: **Fengqing Shi**, Huainan (CN)
(72) Inventor: **Fengqing Shi**, Huainan (CN)
(**) Term: **15 Years**
(21) Appl. No.: **29/814,339**
(22) Filed: **Nov. 5, 2021**
(51) **LOC (14) Cl.** **13-02**
(52) **U.S. Cl.**
USPC **D13/110**
(58) **Field of Classification Search**
USPC D13/101, 102, 103, 107, 108, 110, 118,
D13/119, 123, 184, 199; D14/251, 253,
D14/432, 434
CPC .. H02J 7/00; H02J 7/027; H02J 7/0042; H02J
7/0045; H02J 7/0047; H02J 7/0063; H02J
7/32; H02J 7/342; H02J 7/1423; H02M
7/00; H02M 7/02; H02M 7/003; H01M
2/202; H01M 2/204; H01M 2/1022;
H01M 2/342; H05K 5/0247; H05K
5/0017; Y02T 10/7005; Y02T 10/705;
Y02T 10/7088; F21L 4/00
See application file for complete search history.

D889,410 S * 7/2020 Birkholz D13/119
D929,330 S * 8/2021 Pauken D13/112
D932,430 S * 10/2021 Li D13/110

OTHER PUBLICATIONS

https://www.amazon.com/SUnMilY-Portable-Compatible-Milwaukee-110V-120V/dp/B09DKGBQKW?ref_=ast_sto_dp Sunmily 150W Portable Power Supply—Aug. 25, 2021 (Year: 2021).*

* cited by examiner

Primary Examiner — Derrick E Holland

(57) **CLAIM**

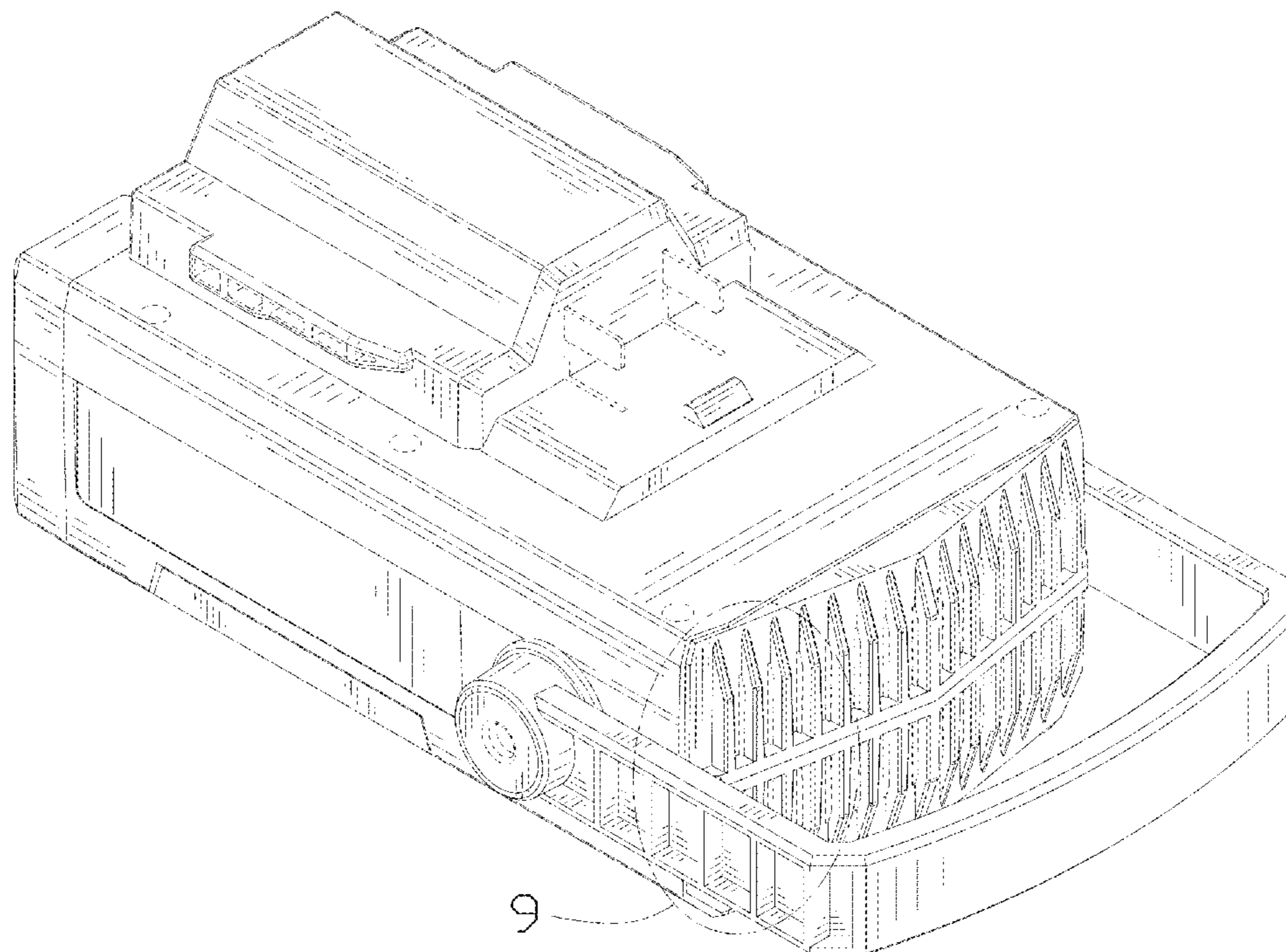
The ornamental design for an inverter, as shown and described.

DESCRIPTION

FIG. 1 is a perspective view of an inverter showing my new design;
FIG. 2 is another perspective view thereof;
FIG. 3 is a front elevational view thereof;
FIG. 4 is a rear elevational view thereof;
FIG. 5 is a left side elevational view thereof;
FIG. 6 is a right side elevational view thereof;
FIG. 7 is a top plan view thereof;
FIG. 8 is a bottom plan view thereof;
FIG. 9 is an enlarged view of portion 9 shown in FIG. 1; and,
FIG. 10 is an enlarged view of portion 10 shown in FIG. 2.
The dash-dash broken lines in the drawings depict portions of the inverter that form no part of the claimed design. The dot-dash broken lines represent boundaries of the enlarged portions and form no part of the claimed design.

1 Claim, 10 Drawing Sheets

(56) **References Cited**
U.S. PATENT DOCUMENTS
5,742,478 A * 4/1998 Wu H05K 7/20445
361/728
D662,053 S * 6/2012 Inskeep D13/110
D704,638 S * 5/2014 Inskeep D13/110
D870,667 S * 12/2019 James D13/110



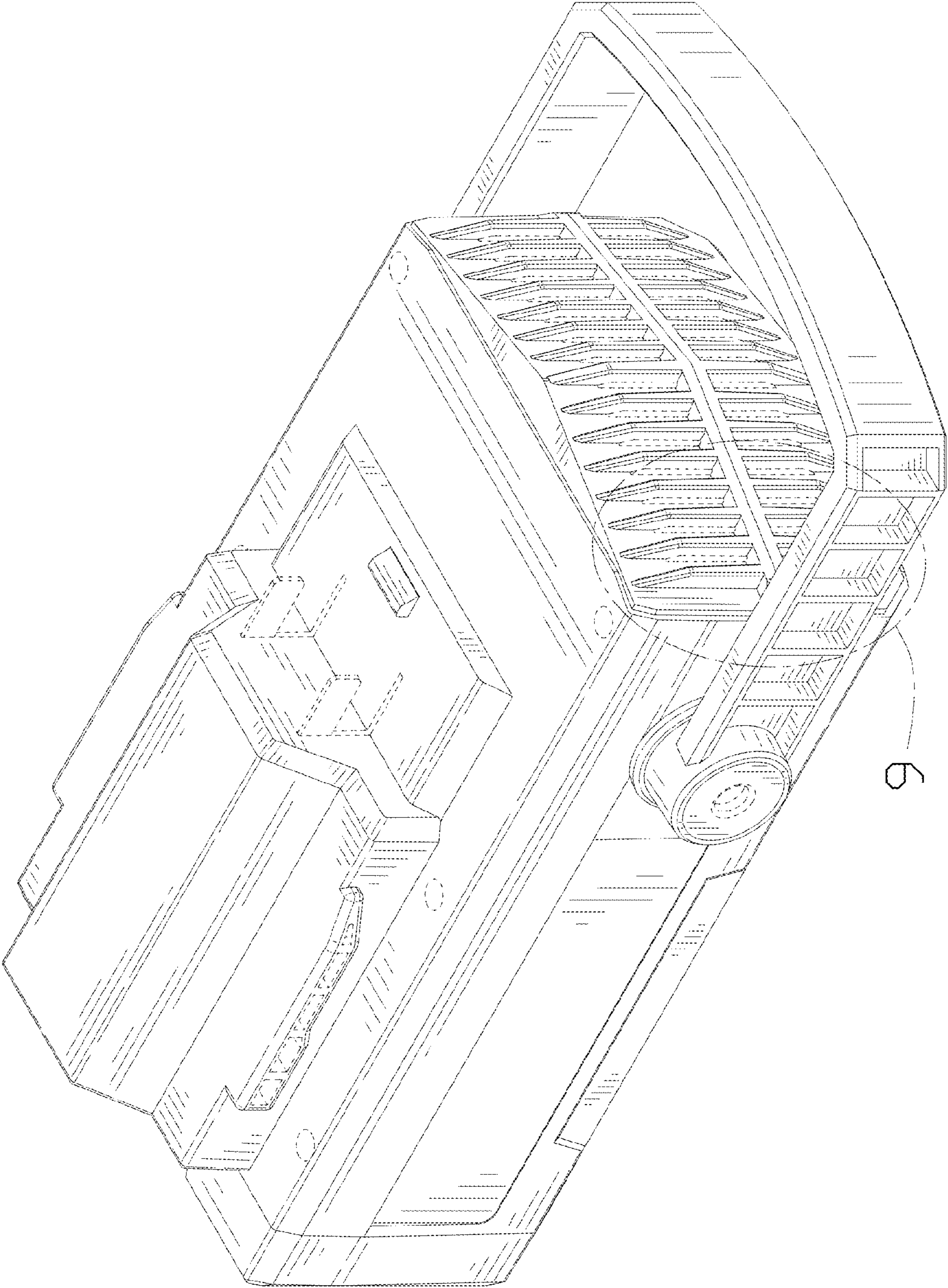


FIG. 1

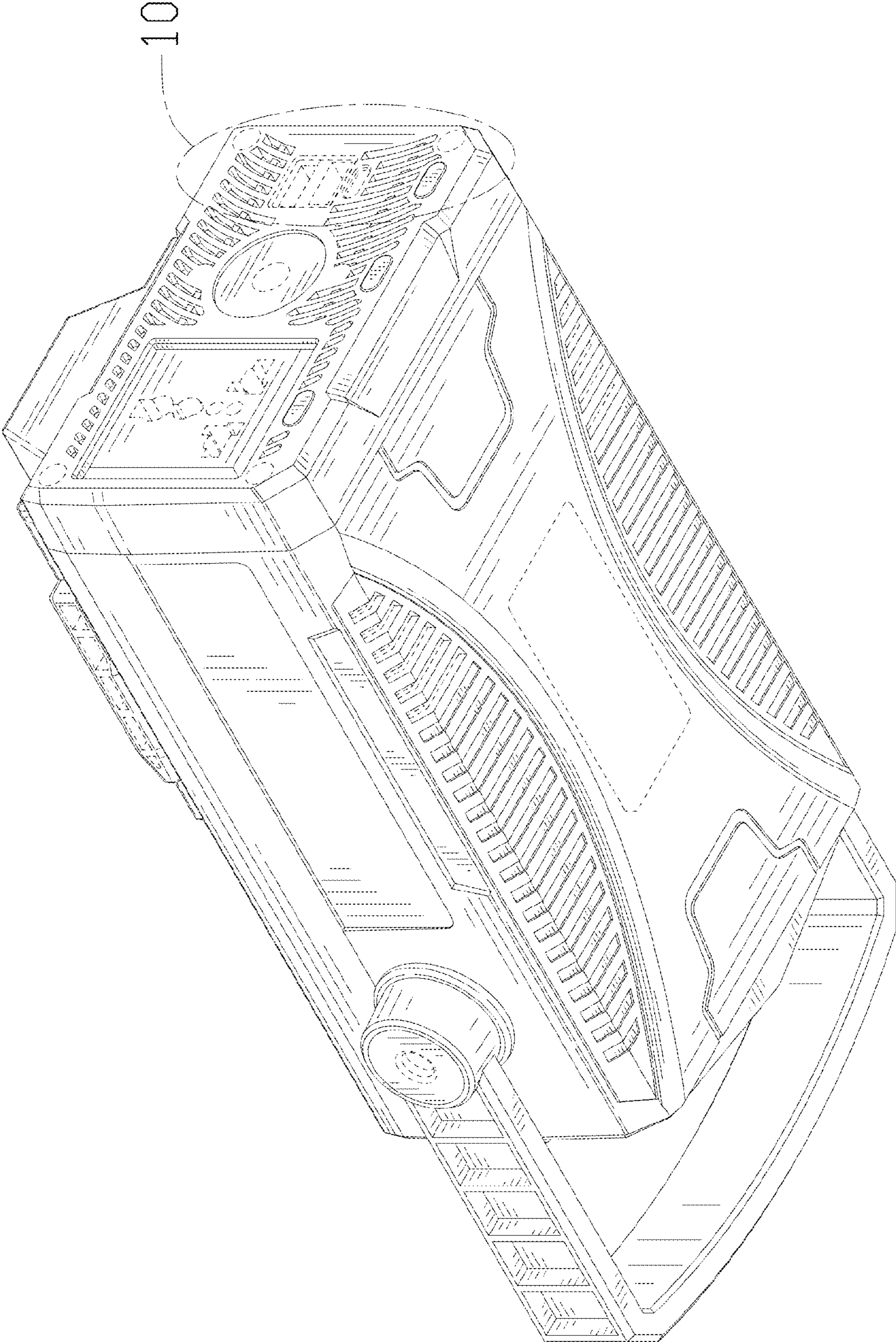


FIG. 2

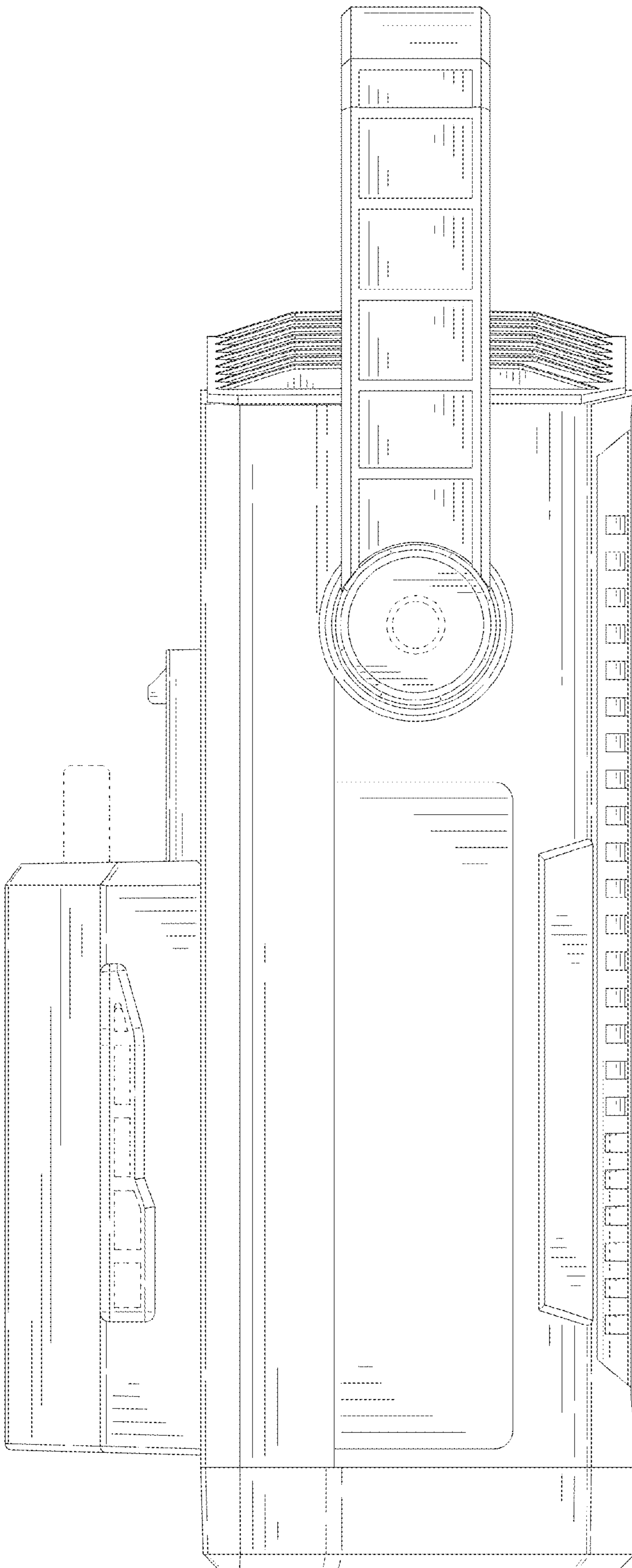


FIG. 3

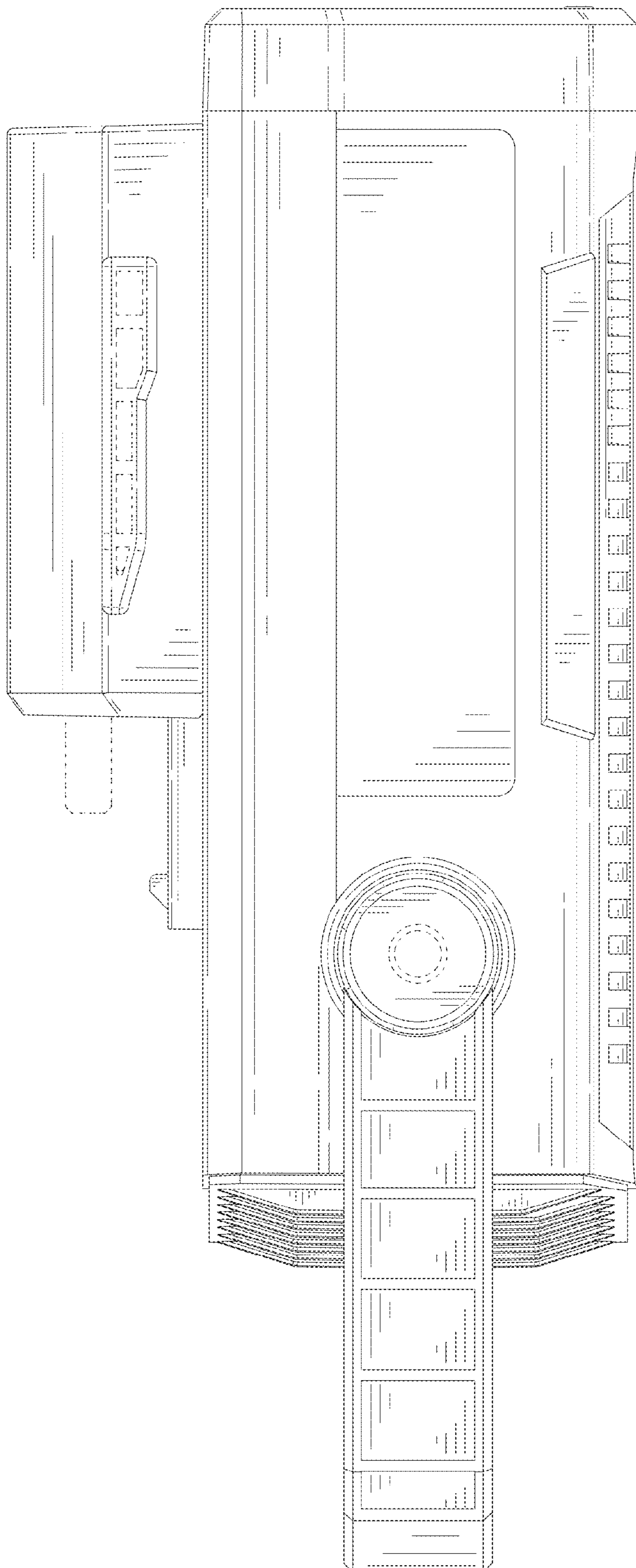


FIG. 4

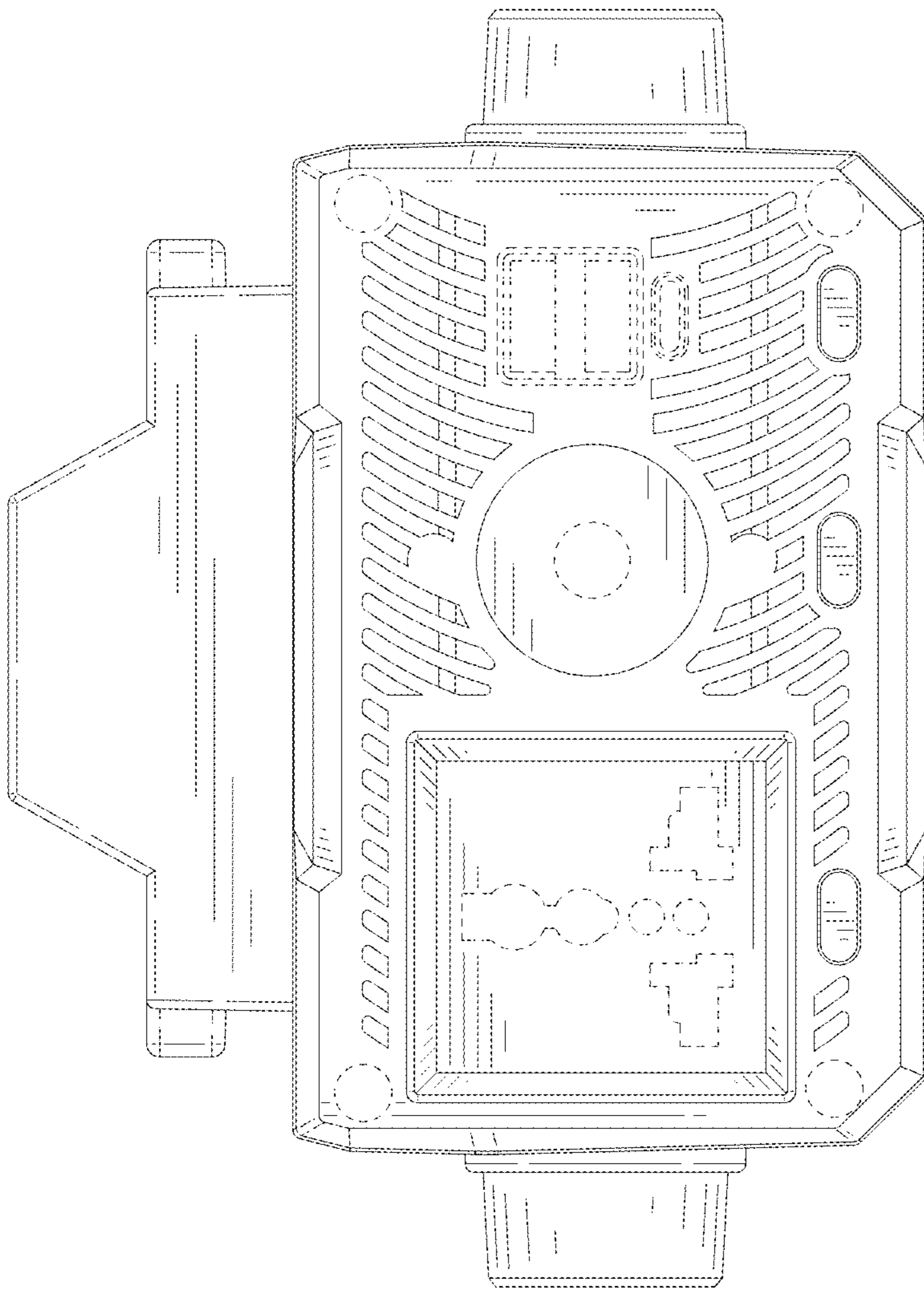


FIG. 5

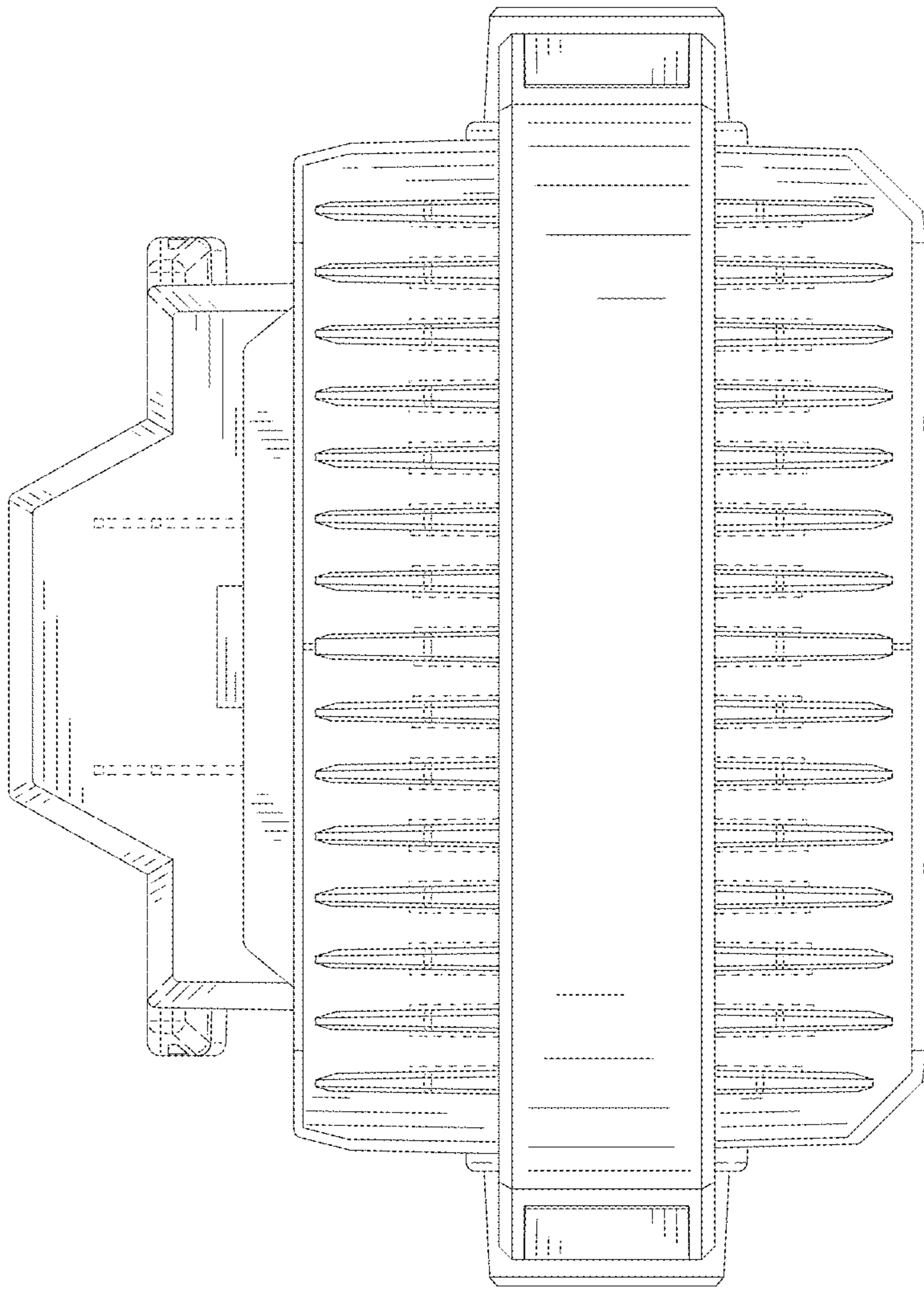


FIG. 6

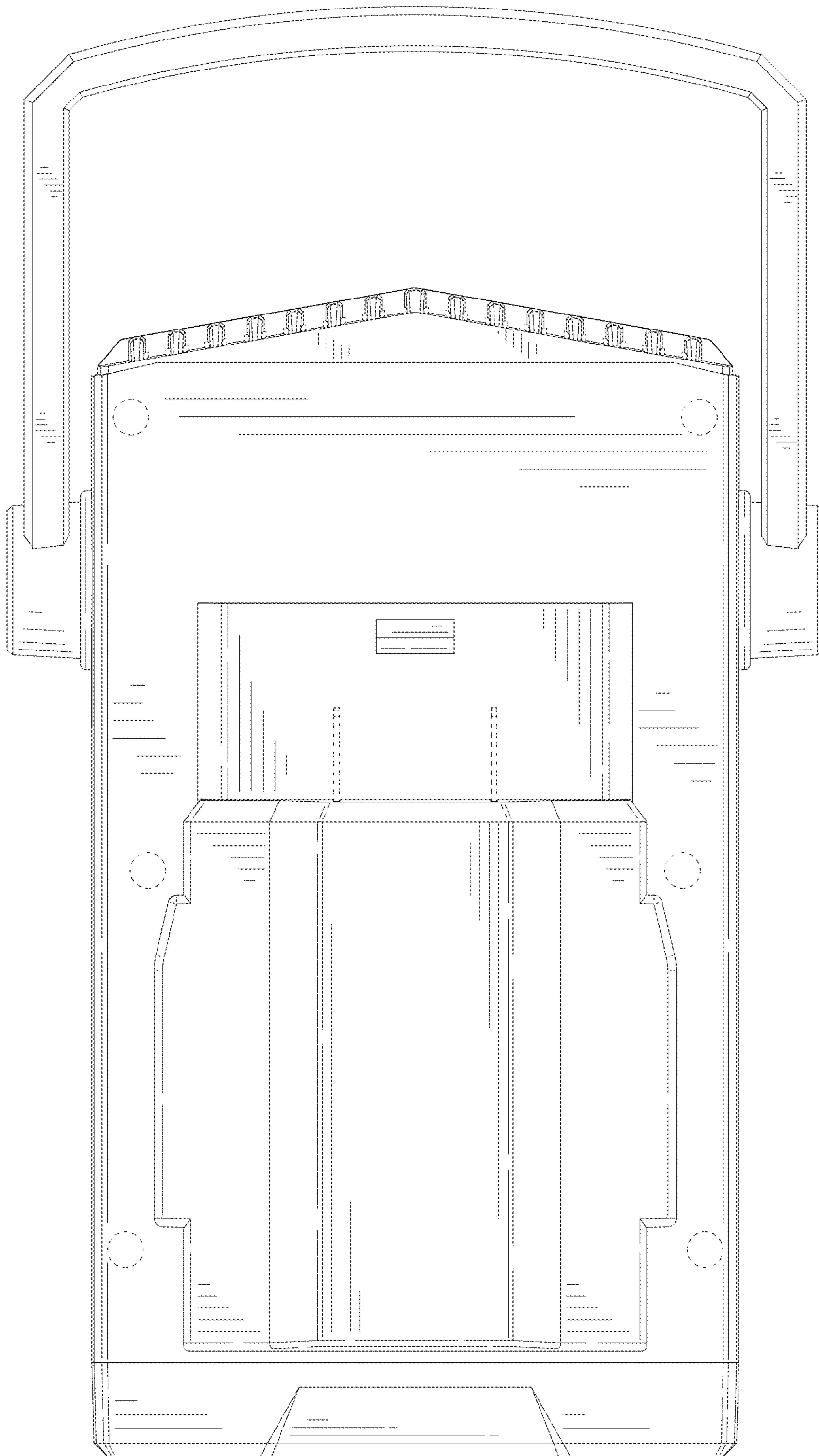


FIG. 7

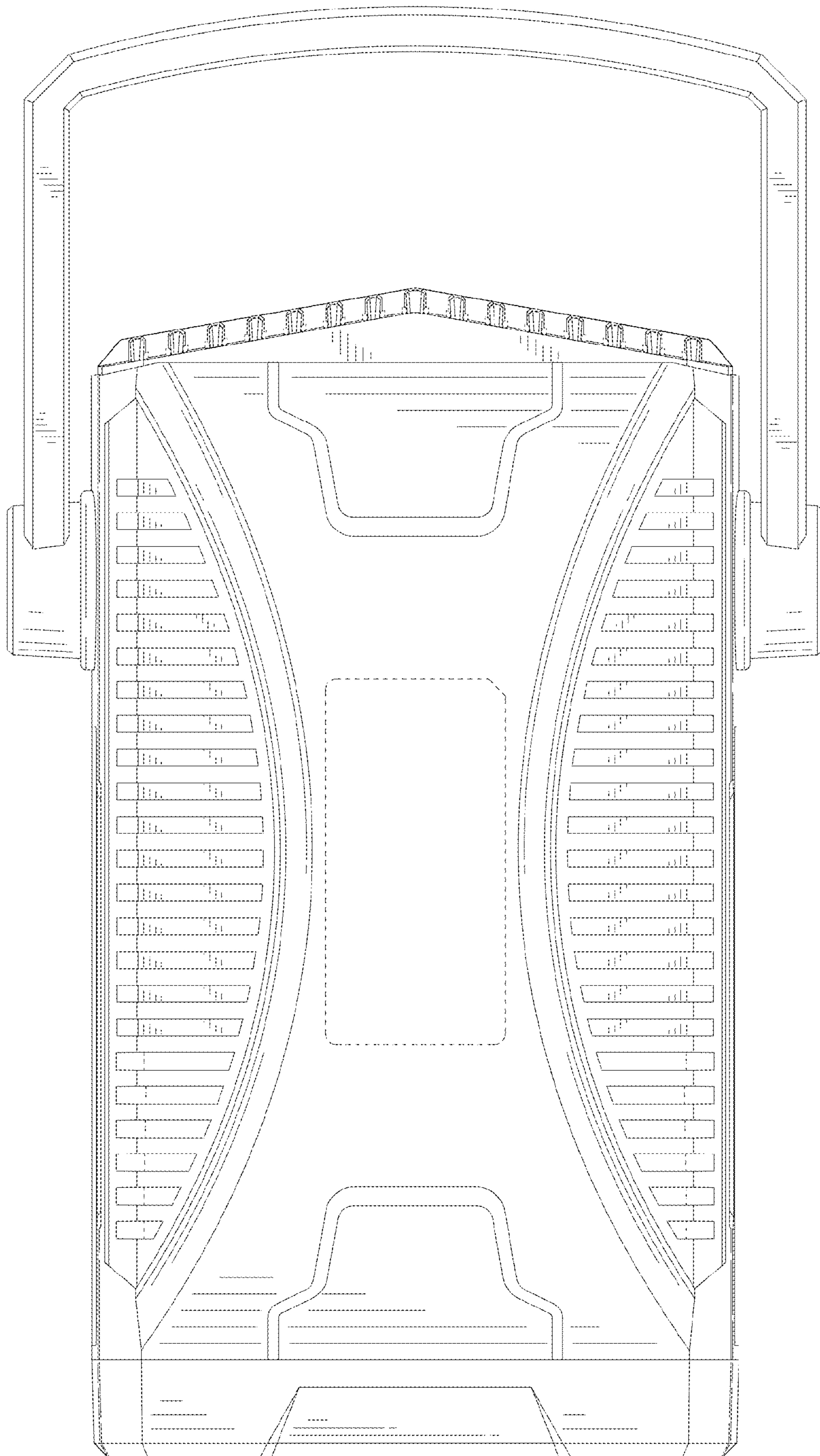


FIG. 8

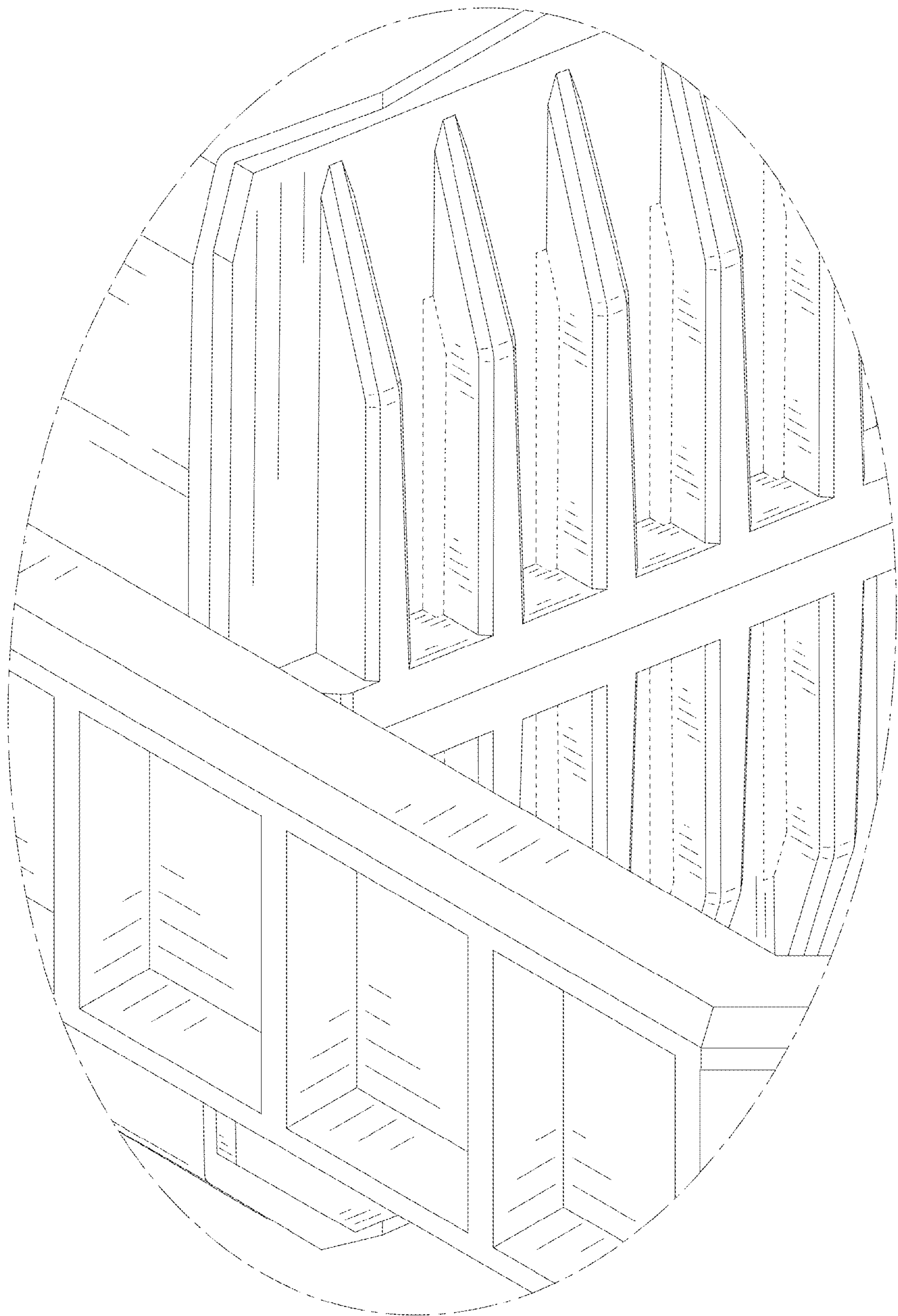


FIG. 9

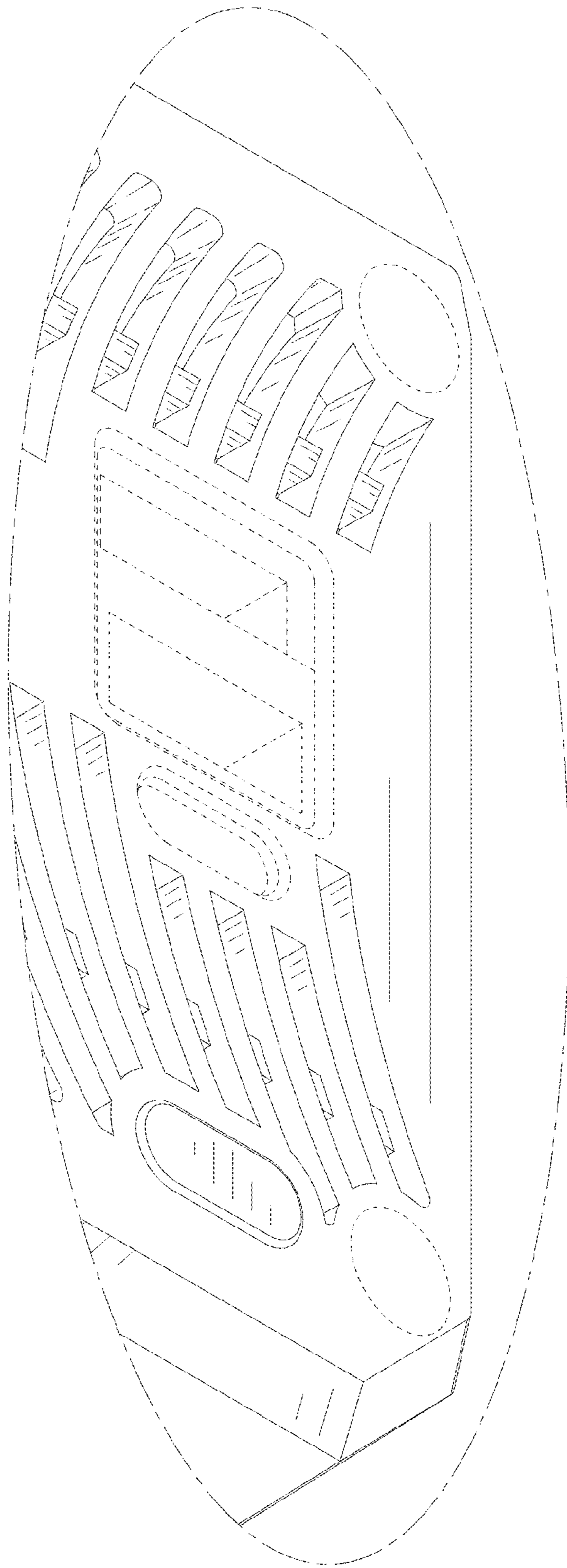


FIG. 10