



US00D985493S

(12) **United States Design Patent** (10) **Patent No.:** **US D985,493 S**
Xun et al. (45) **Date of Patent:** **** May 9, 2023**

(54) **PORTABLE POWER SOURCE**

(71) Applicant: **Hunan Shanye New Energy Technology Co., Ltd.**, Hunan (CN)

(72) Inventors: **Dongrui Xun**, Hunan (CN); **Mi Liu**, Hunan (CN)

(73) Assignee: **Hunan Shanye New Energy Technology Co., Ltd.**, Hunan (CN)

(**) Term: **15 Years**

(21) Appl. No.: **29/811,169**

(22) Filed: **Oct. 12, 2021**

(30) **Foreign Application Priority Data**

Sep. 24, 2021 (CN) 202130635040.4

(51) **LOC (14) Cl.** **13-02**

(52) **U.S. Cl.**
USPC **D13/110**

(58) **Field of Classification Search**
USPC D13/101, 102, 103, 107, 108, 110, 118, D13/119, 123, 184, 199; D14/251, 253, D14/432, 434
CPC .. H02J 7/00; H02J 7/027; H02J 7/0042; H02J 7/0045; H02J 7/0047; H02J 7/0063; H02J 7/32; H02J 7/342; H02J 7/1423; H02M 7/00; H02M 7/003; H01M 2/202; H01M 2/204; H01M 2/1022; H01M 2/342; H01M 10/441; H01M 10/613; H01M 10/627; H01M 10/658; H05K 5/0247; H05K 7/1432; Y02T 10/7005; Y02T 10/705; Y02T 10/7088; F21L 4/00; Y02E 60/12; Y02E 60/50

See application file for complete search history.

(56) **References Cited**

U.S. PATENT DOCUMENTS

D664,499	S	*	7/2012	Workman	D13/107
D671,488	S	*	11/2012	Ashida	D13/110
D823,797	S	*	7/2018	Krantz	D13/110
10,424,943	B2	*	9/2019	Wang	H02J 7/0047
D886,047	S	*	6/2020	Hung	D13/103
D897,283	S	*	9/2020	Sun	D13/103
D904,301	S	*	12/2020	Smalley	D13/110

* cited by examiner

Primary Examiner — Derrick E Holland

(74) *Attorney, Agent, or Firm* — ScienBiziP, P.C.

(57) **CLAIM**

The ornamental design for a portable power source, as shown and described.

DESCRIPTION

FIG. 1 is a front, right, and top perspective view of a portable power source, showing our design.

FIG. 2 is a rear, left, and bottom perspective view thereof.

FIG. 3 is a front elevation view thereof.

FIG. 4 is a rear elevation view thereof.

FIG. 5 is a left side elevation view thereof.

FIG. 6 is a right side elevation view thereof.

FIG. 7 is a top plan view thereof.

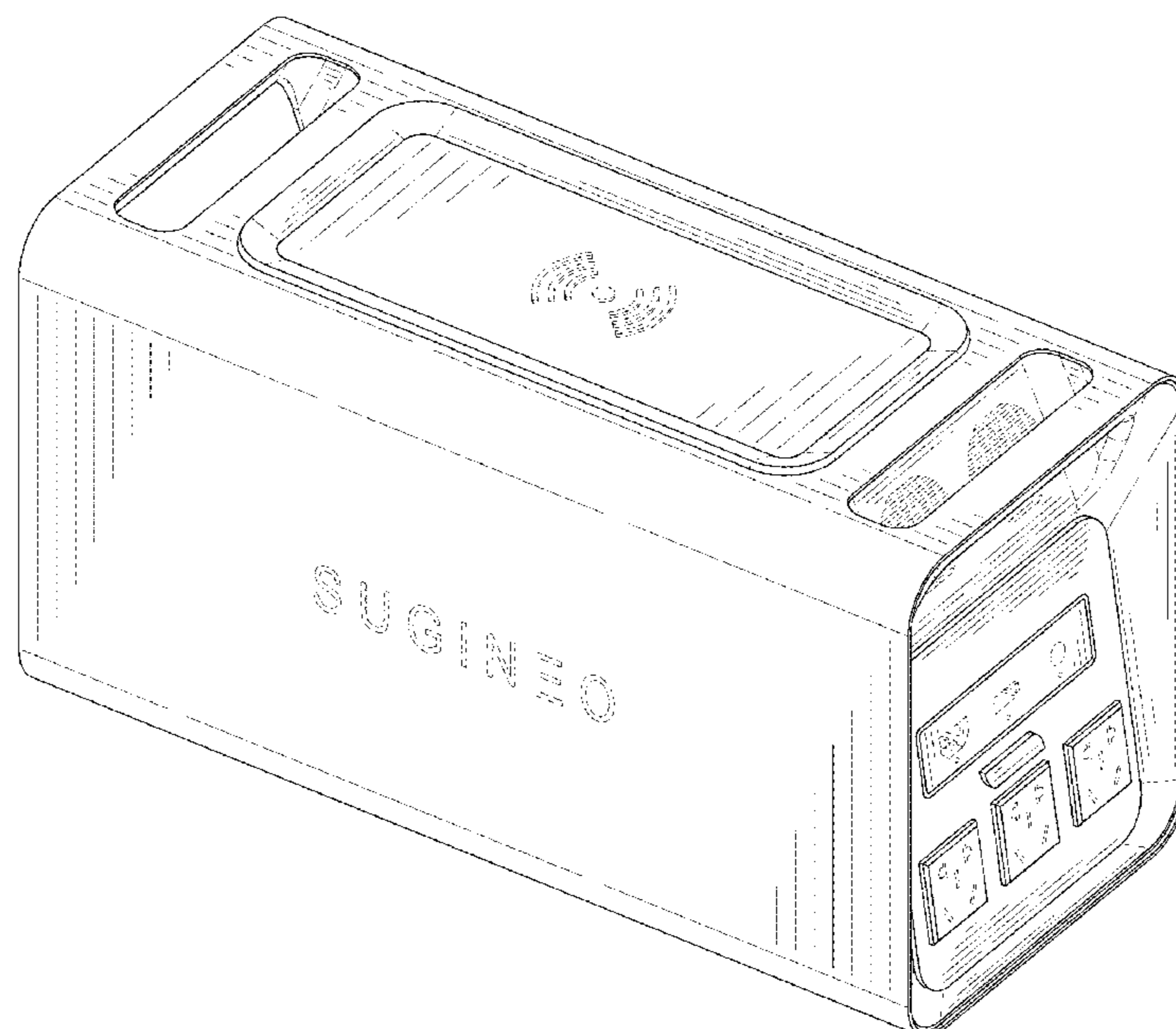
FIG. 8 is a bottom plan view thereof.

FIG. 9 is a partial enlarged view of an area labeled 9 in FIG. 2; and,

FIG. 10 is a partial enlarged view of an area labeled 10 in FIG. 2.

The broken lines shown in the drawings are included for the purpose of illustrating portions of the portable power source that form no part of the claimed design.

1 Claim, 10 Drawing Sheets



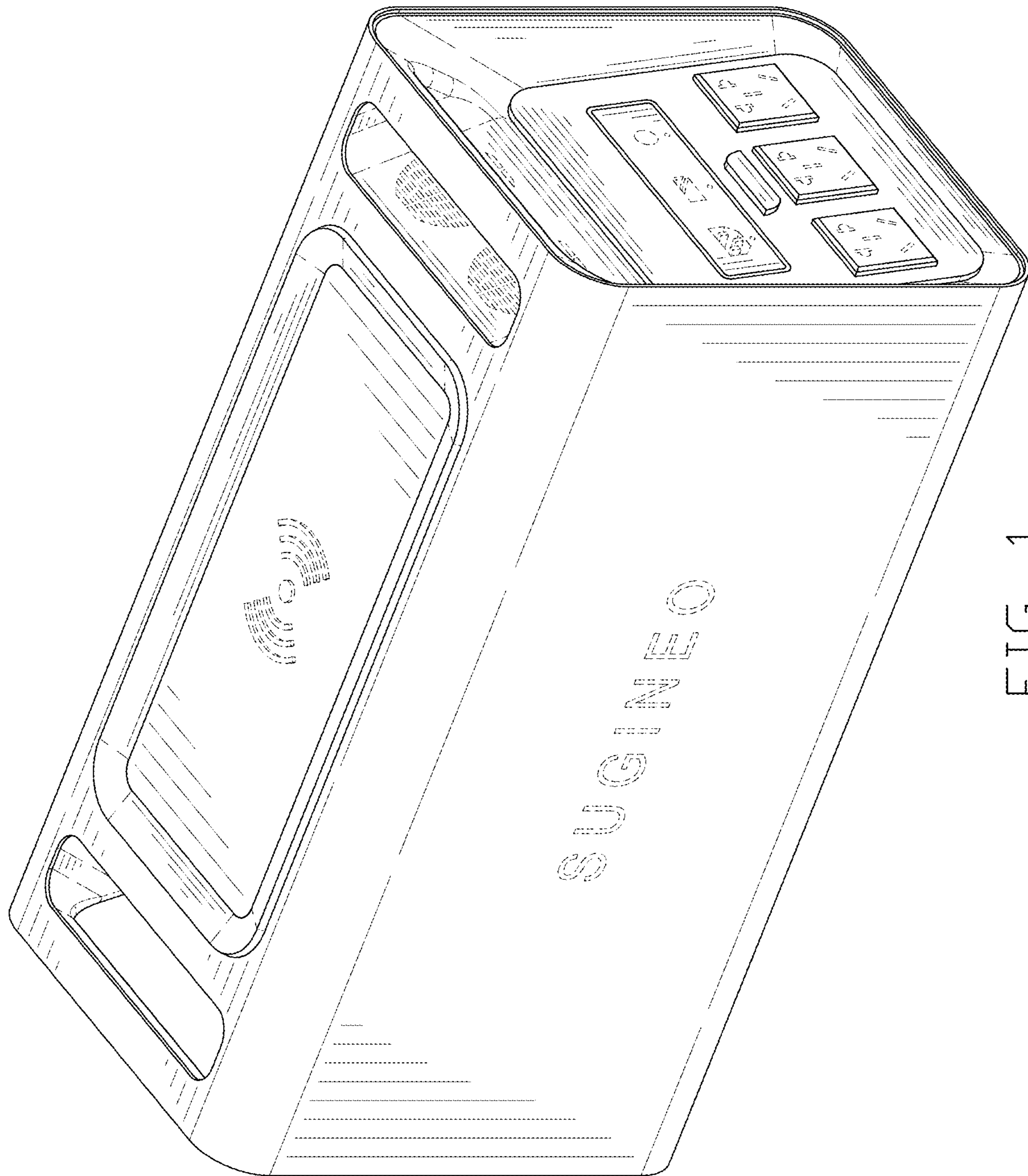


FIG. 1

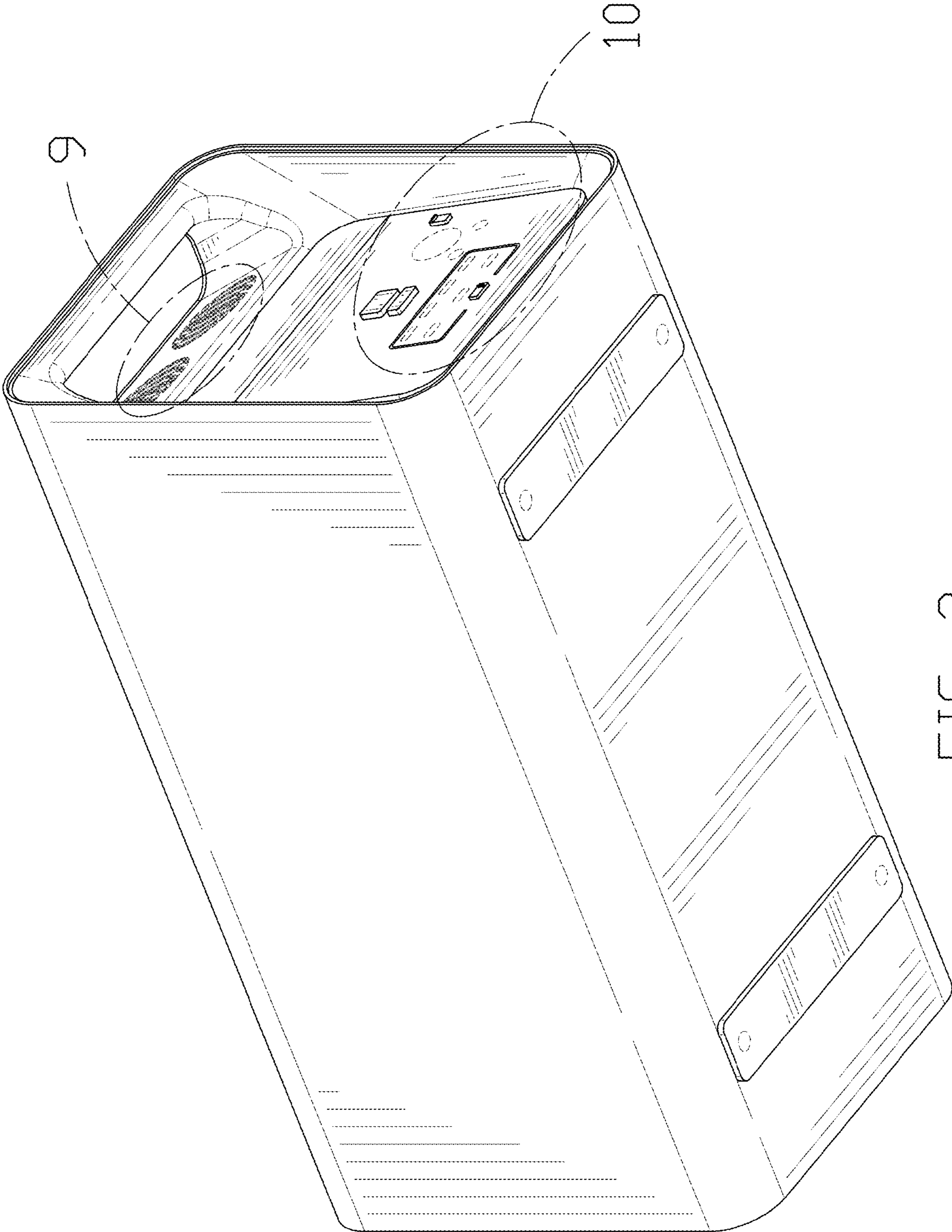


FIG. 2

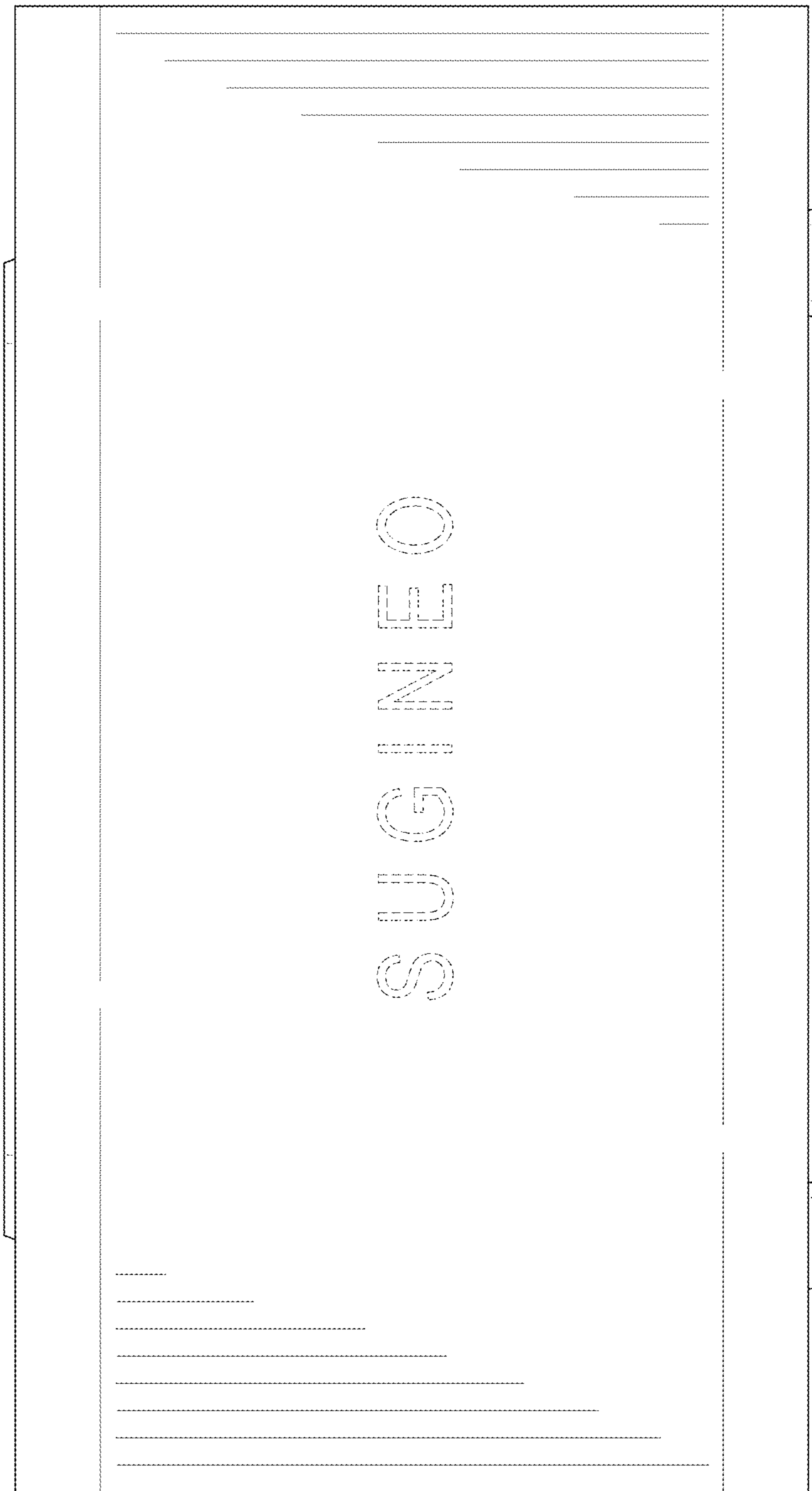


FIG. 3

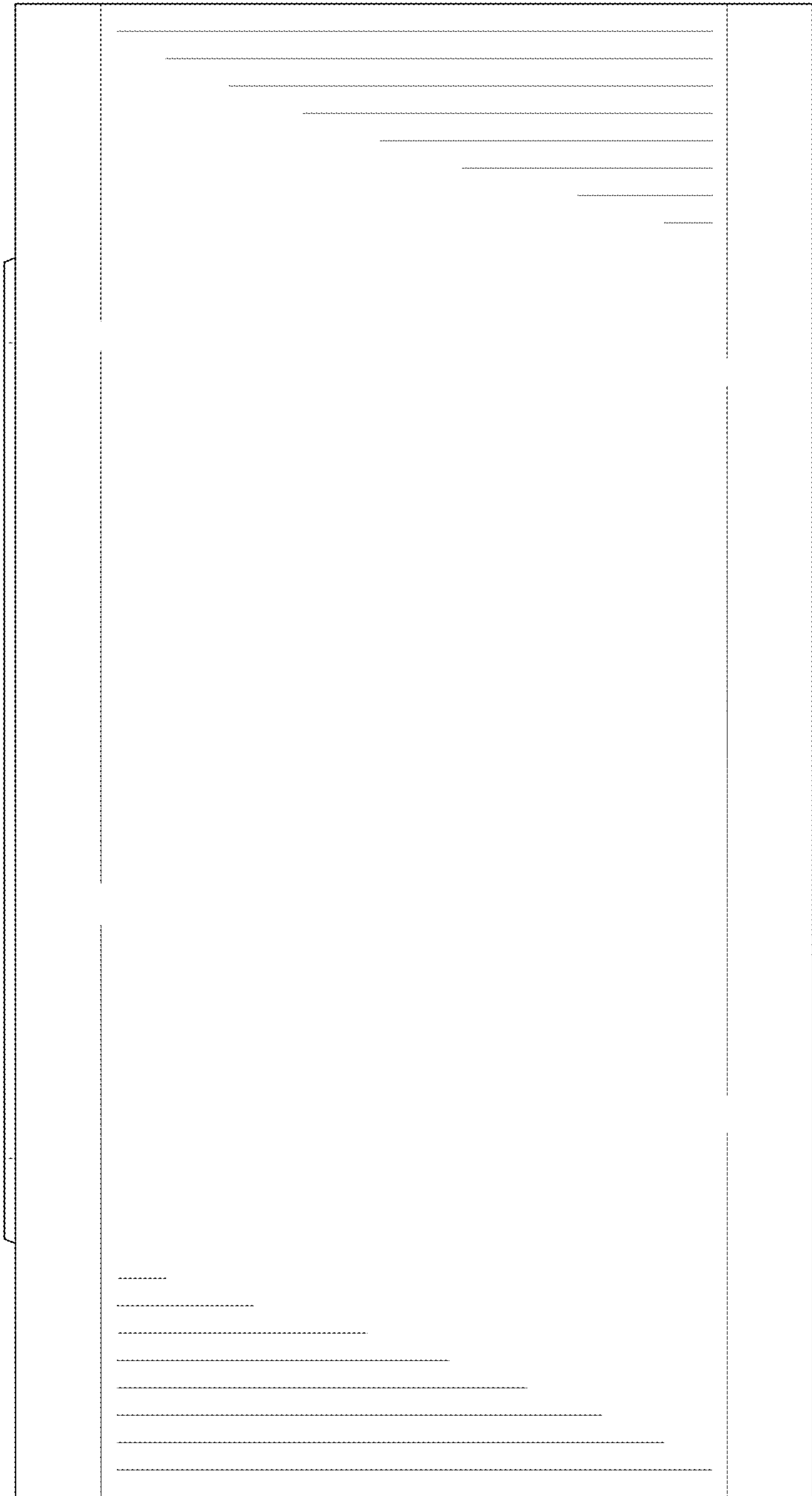


FIG. 4

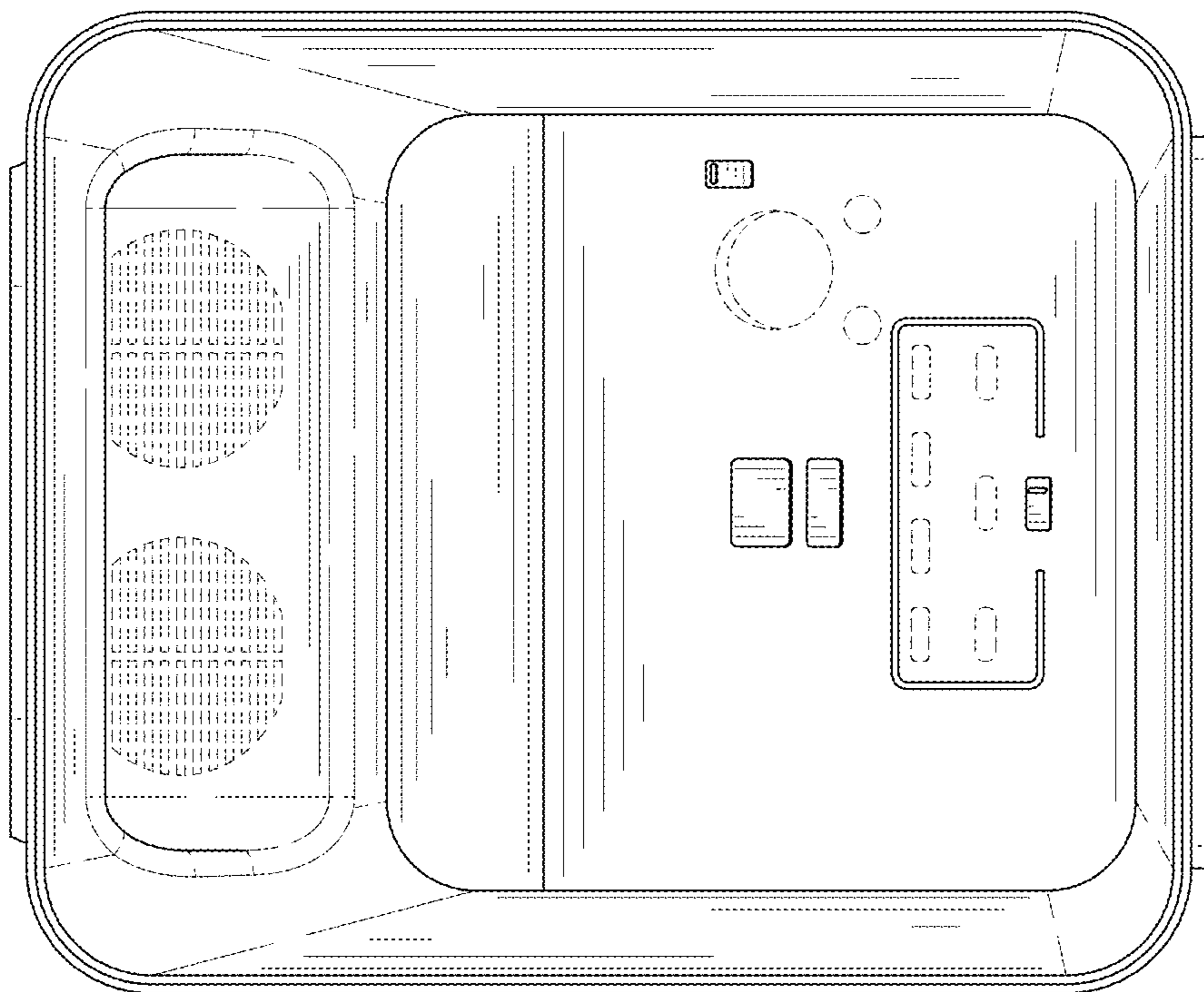


FIG. 5

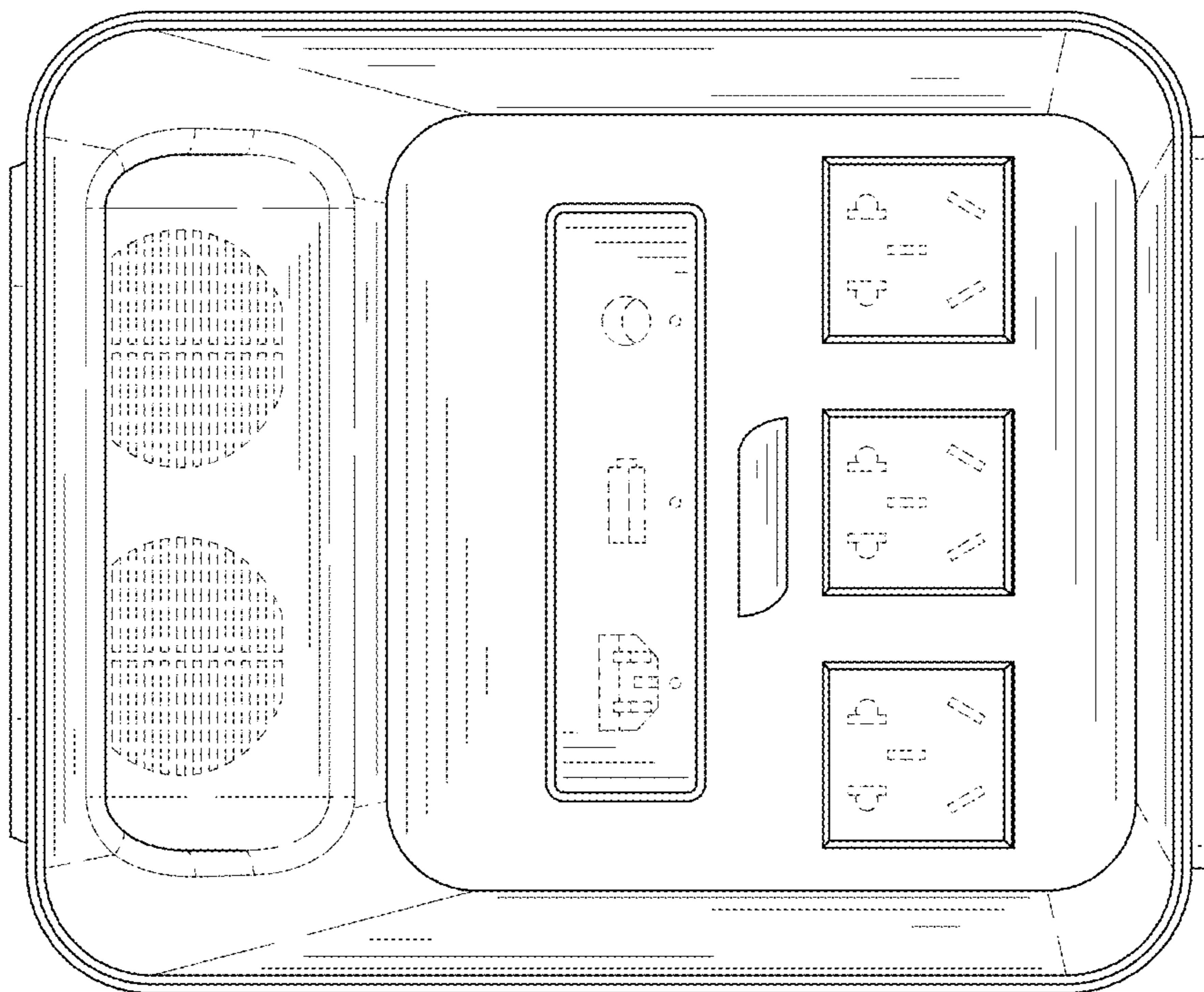


FIG. 6

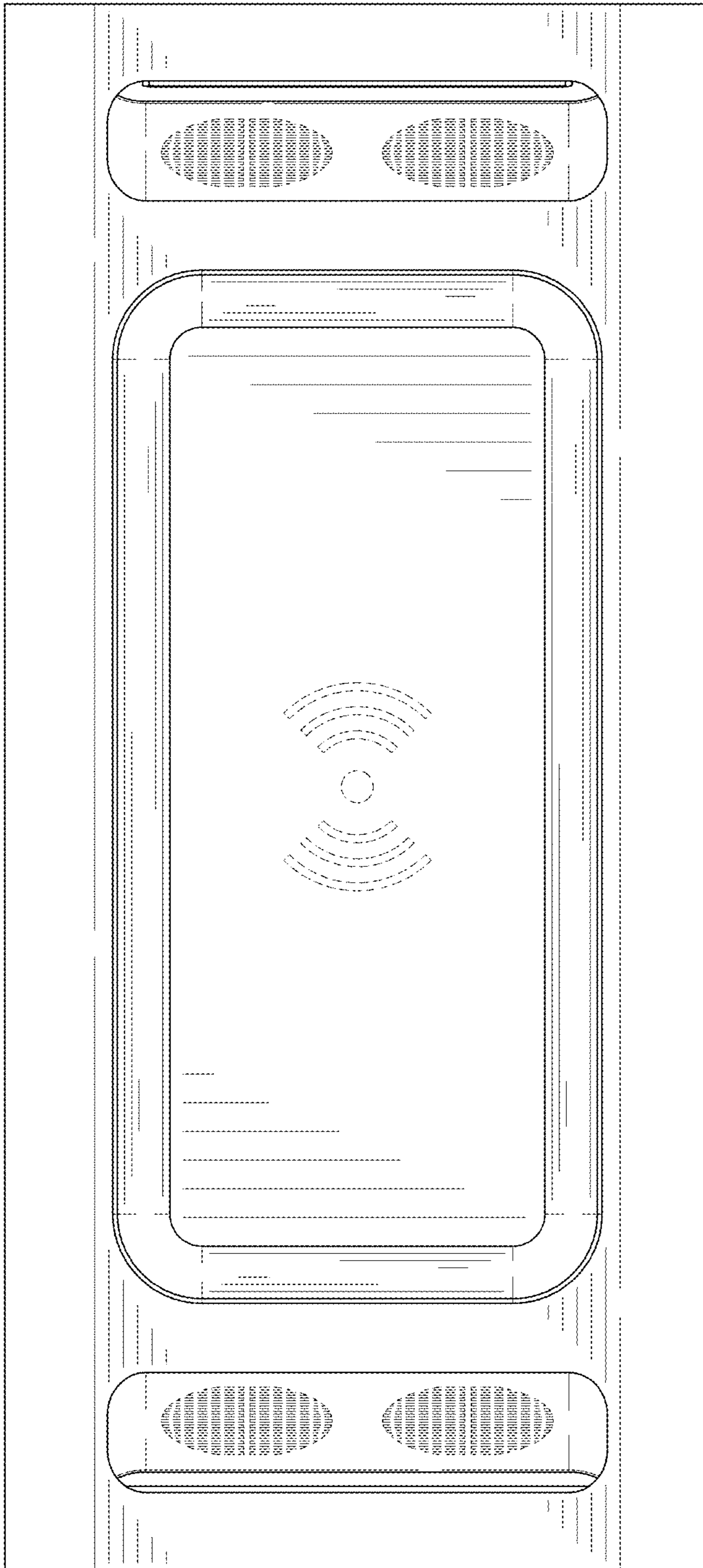


FIG. 7

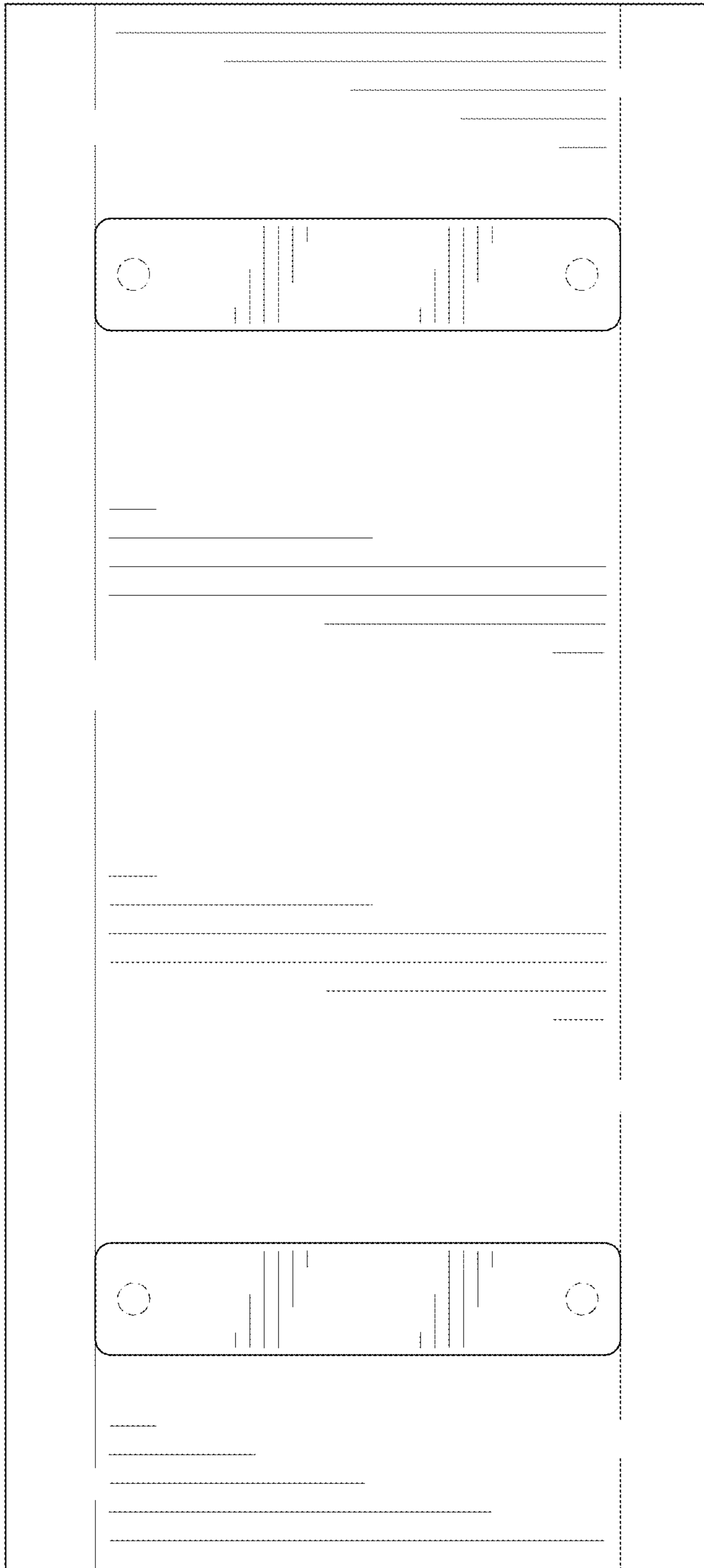


FIG. 8

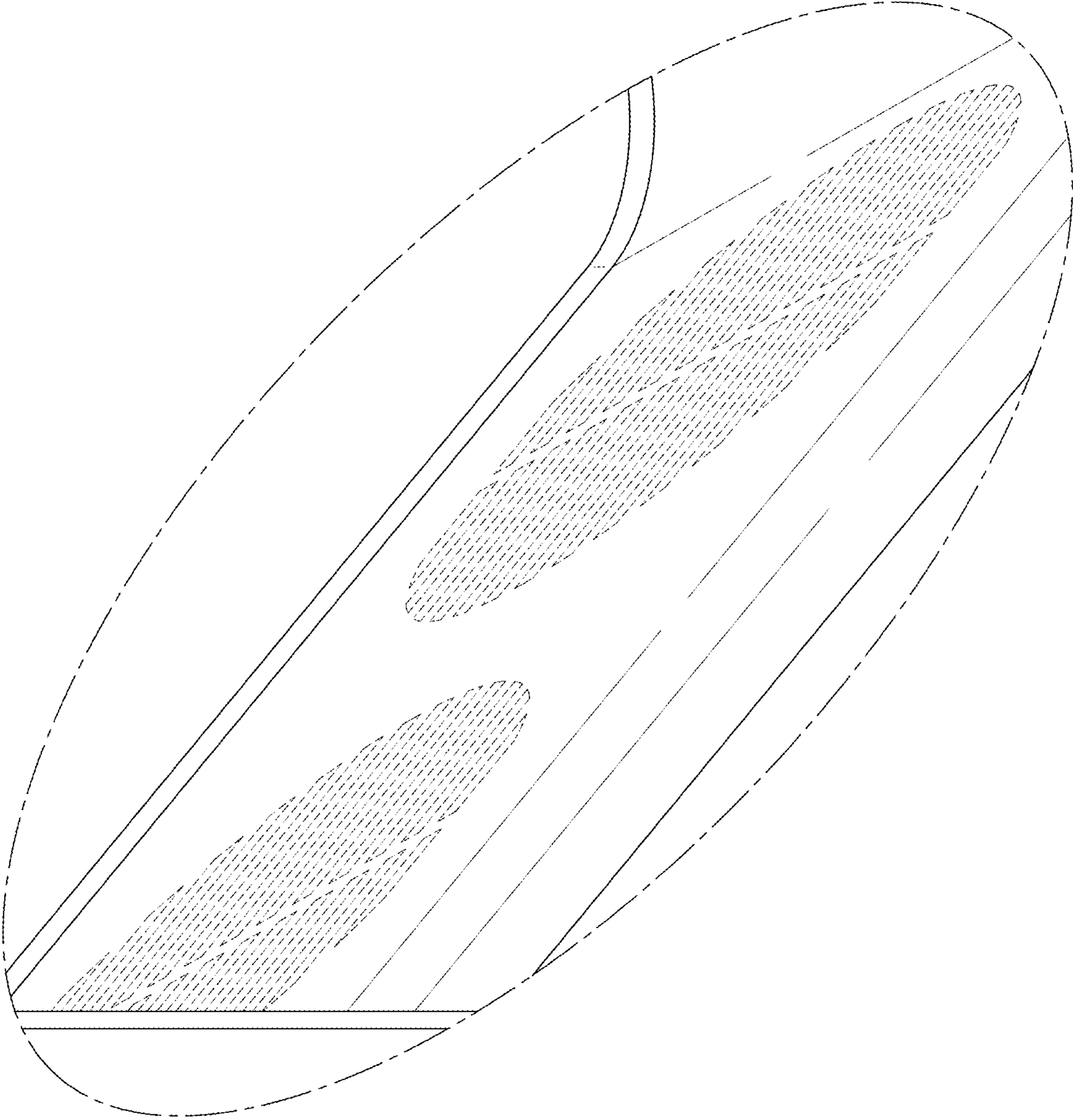


FIG. 9

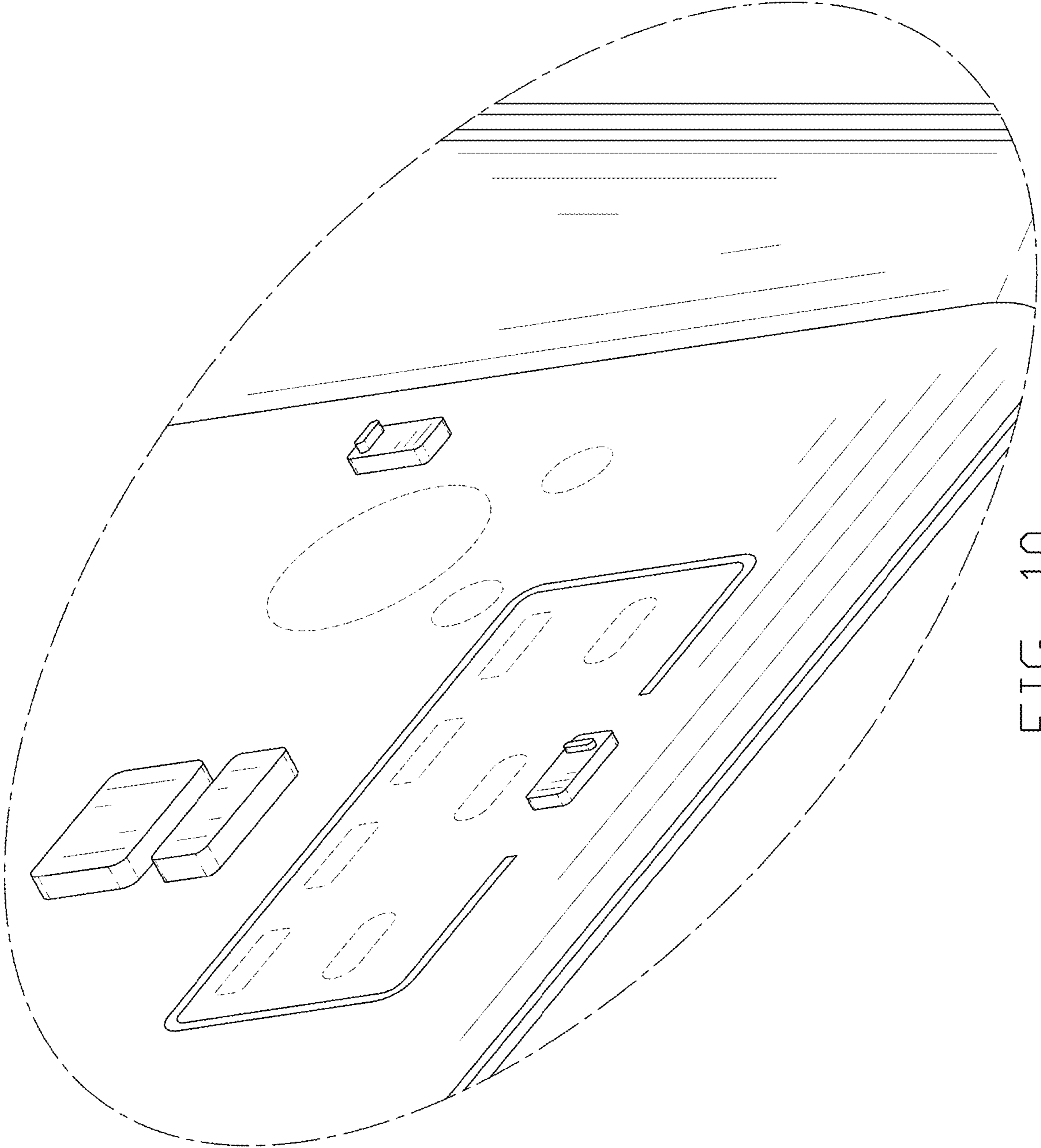


FIG. 10