



US00D985492S

(12) **United States Design Patent**
Huang

(10) **Patent No.:** **US D985,492 S**

(45) **Date of Patent:** **** May 9, 2023**

(54) **MAGNETIC WIRELESS CHARGER**

- (71) Applicant: **SCI MERCHANT LLC**, North Charleston, SC (US)
- (72) Inventor: **Weitang Huang**, North Charleston, SC (US)
- (73) Assignee: **SCI MERCHANT LLC**, North Charleston, SC (US)

(**) Term: **15 Years**

(21) Appl. No.: **29/870,210**

(22) Filed: **Jan. 18, 2023**

(51) **LOC (14) Cl.** **13-02**

(52) **U.S. Cl.**
USPC **D13/108**

(58) **Field of Classification Search**
USPC D13/103, 107, 108, 118, 119, 184, 199;
D14/251, 252, 432, 433, 434, 439, 447
CPC H02J 7/0044; H02J 7/0045; H04B 1/3877
See application file for complete search history.

(56) **References Cited**

U.S. PATENT DOCUMENTS

D606,545 S *	12/2009	Salmon	D14/434
D674,337 S *	1/2013	Au Yeung	D13/108
D782,411 S *	3/2017	Mischke	D13/108
D825,575 S *	8/2018	Gao	D14/447
D913,919 S *	3/2021	Wang	D13/108
D928,792 S *	8/2021	Lee	D14/447
D954,646 S *	6/2022	Liao	D13/108
11,441,727 B1 *	9/2022	Amundson	F16M 11/041
D969,076 S *	11/2022	Li	D13/108
D969,737 S *	11/2022	Huang	D13/108
D975,012 S *	1/2023	Chen et al.		
D976,828 S *	1/2023	Sun	D13/108
2009/0051319 A1 *	2/2009	Fang	H02J 7/0044 320/115
2015/0097519 A1 *	4/2015	Chen	H02J 50/10 320/108

OTHER PUBLICATIONS

“Belkin Charging Dock”. Found online Feb. 10, 2021 at amazon.com. Reference dated Oct. 15, 2018. Retrieved from https://www.amazon.com/Belkin-Powerhouse-Charge-iPhone-Charging/dp/B07HMBQL58/ref=psdc_2407761011_t3_B081J53ZRQ. (Year: 2018).*

“Konga Adjustable Folding Stent”. Found online Jun. 14, 2022 at konga.com. Reference dated Oct. 5, 2020. Retrieved from https://tineye.com/search/635c2d31cd9ba8d041d9ee1735c64a5354b202a7?sort=crawl_date&order=asc&page=1. (Year: 2020).*

“Nillkin Foldable Stand”. Found online Jul. 26, 2022 at amazon.in. Reference dated Jan. 19, 2021. Retrieved from <https://www.amazon.in/Nillkin-Foldable-Tailored-Charging-Aluminium/dp/B08TCCRYLN>. (Year: 2021).*

* cited by examiner

Primary Examiner — Kendra Leslie Hamilton

Assistant Examiner — Amanda Christensen

(74) *Attorney, Agent, or Firm* — Nitin Kaushik

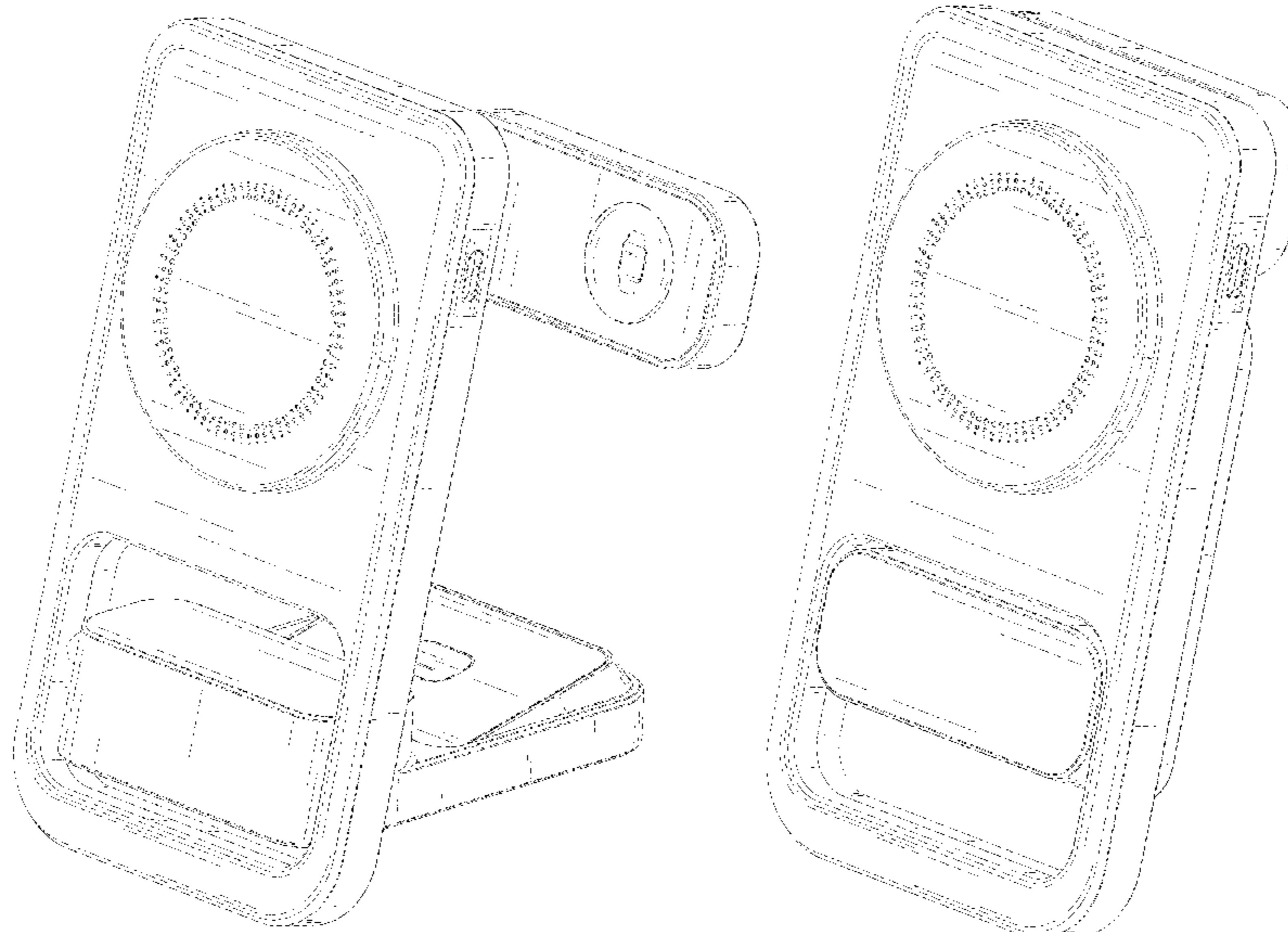
(57) **CLAIM**

The ornamental design for a magnetic wireless charger, as shown and described.

DESCRIPTION

FIG. 1 is a front perspective view of a magnetic wireless charger, showing my new design;
 FIG. 2 is a rear perspective view thereof;
 FIG. 3 is a front view thereof;
 FIG. 4 is a rear view thereof;
 FIG. 5 is a left side view thereof;
 FIG. 6 is a right side view thereof;
 FIG. 7 is a top view thereof;
 FIG. 8 is a bottom view thereof;
 FIG. 9 is a rear perspective view of the magnetic wireless charger, shown in a folded state; and,
 FIG. 10 is a front perspective view thereof.

1 Claim, 10 Drawing Sheets



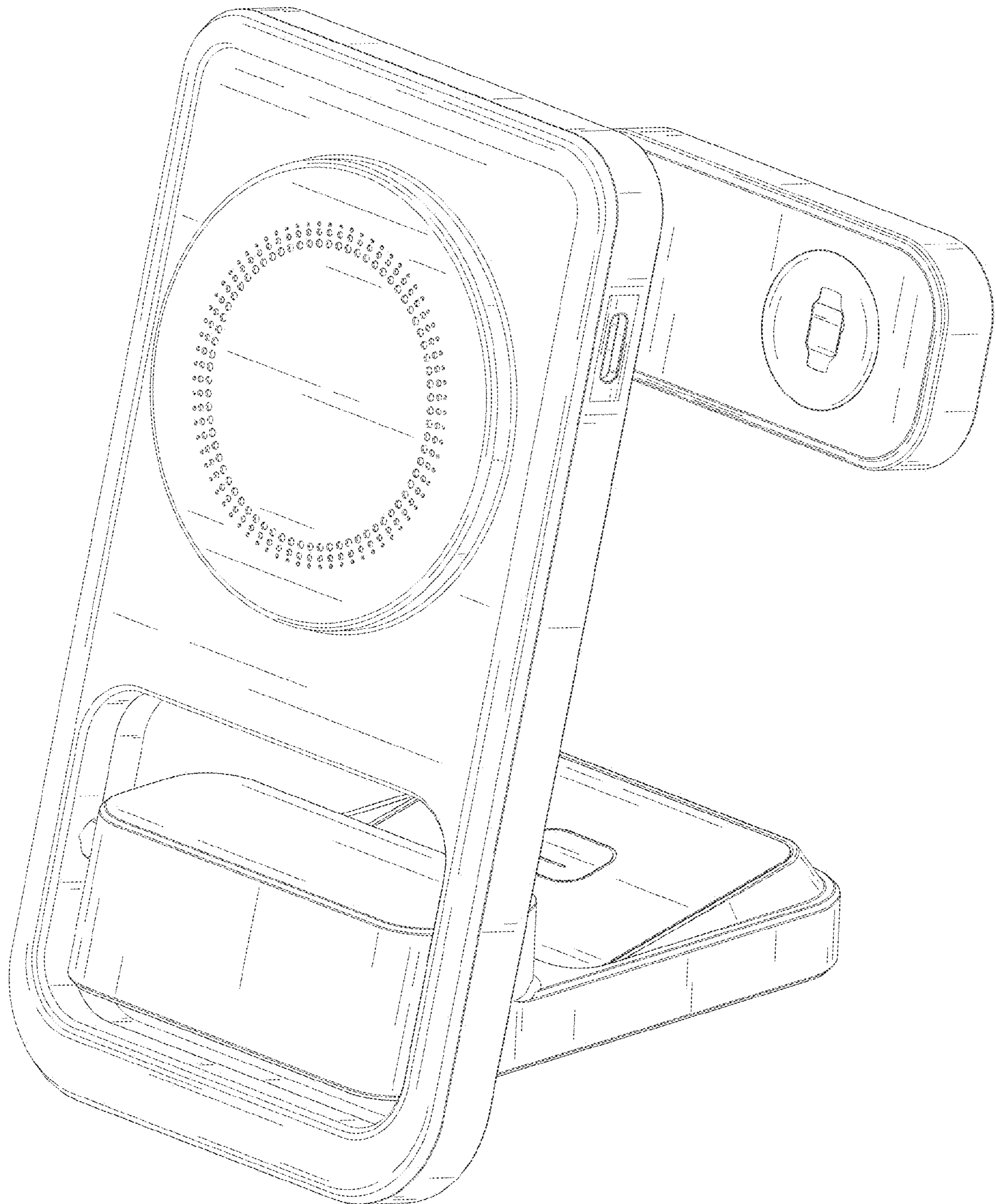


FIG. 1

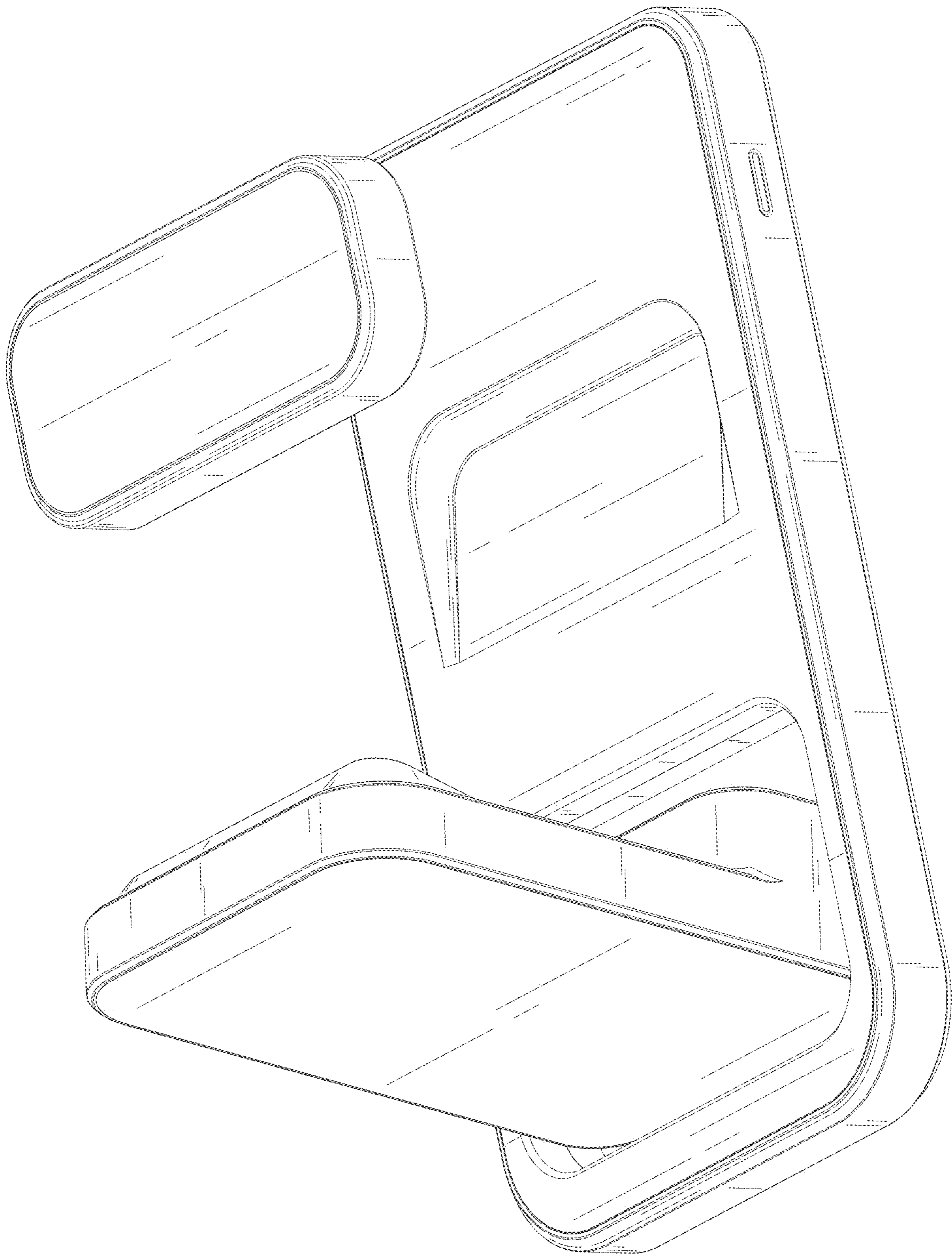


FIG. 2

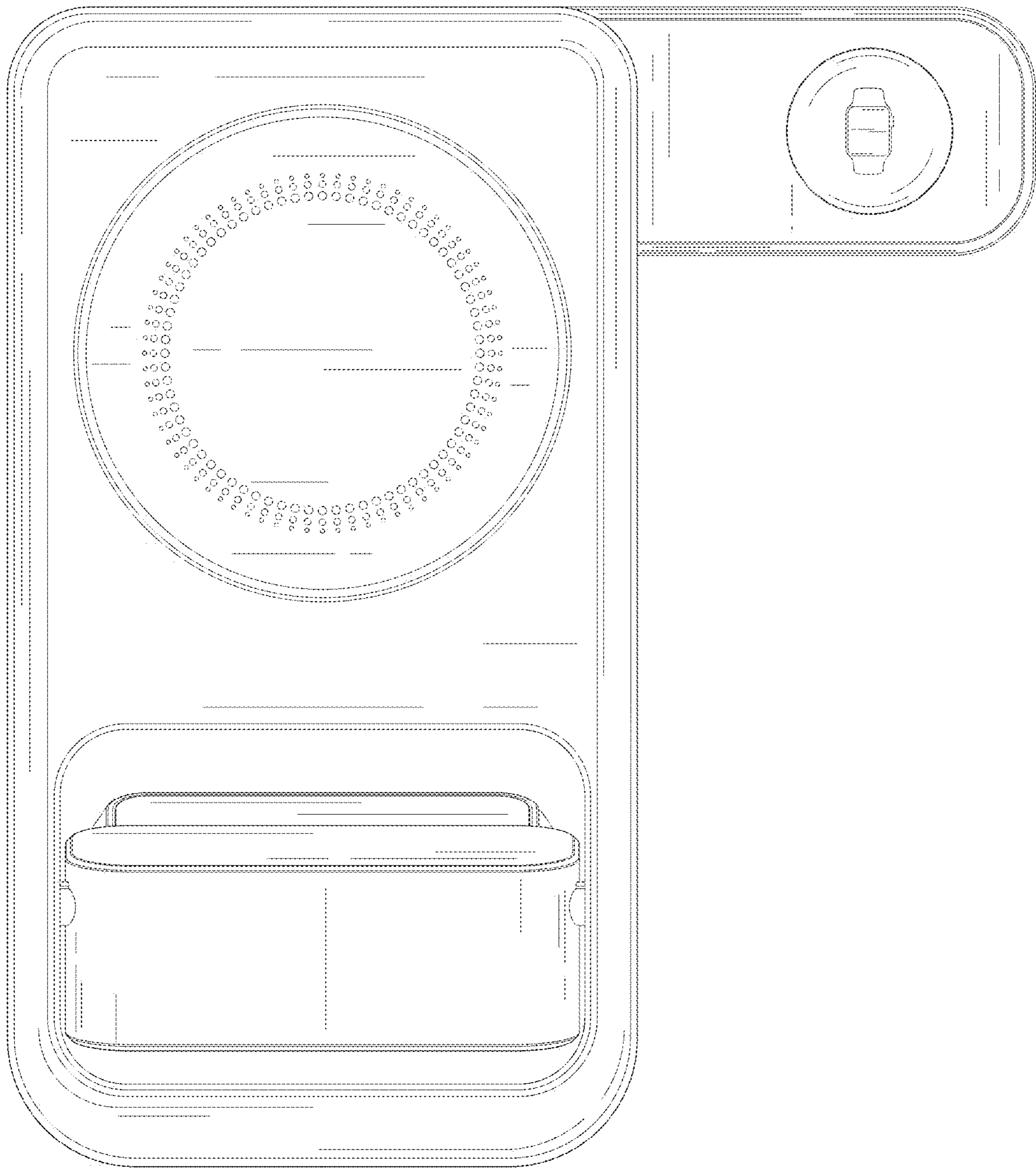


FIG. 3

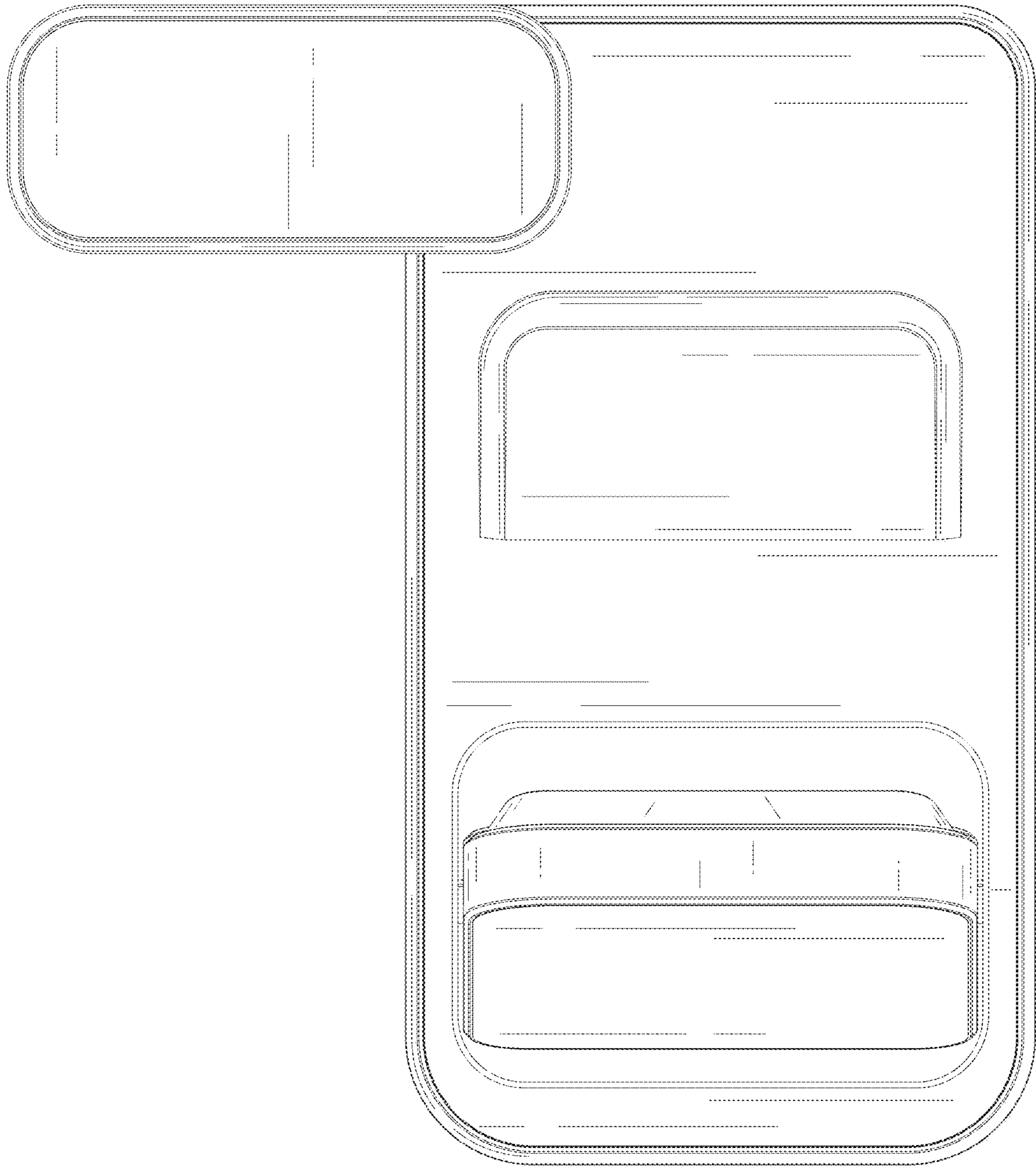


FIG. 4

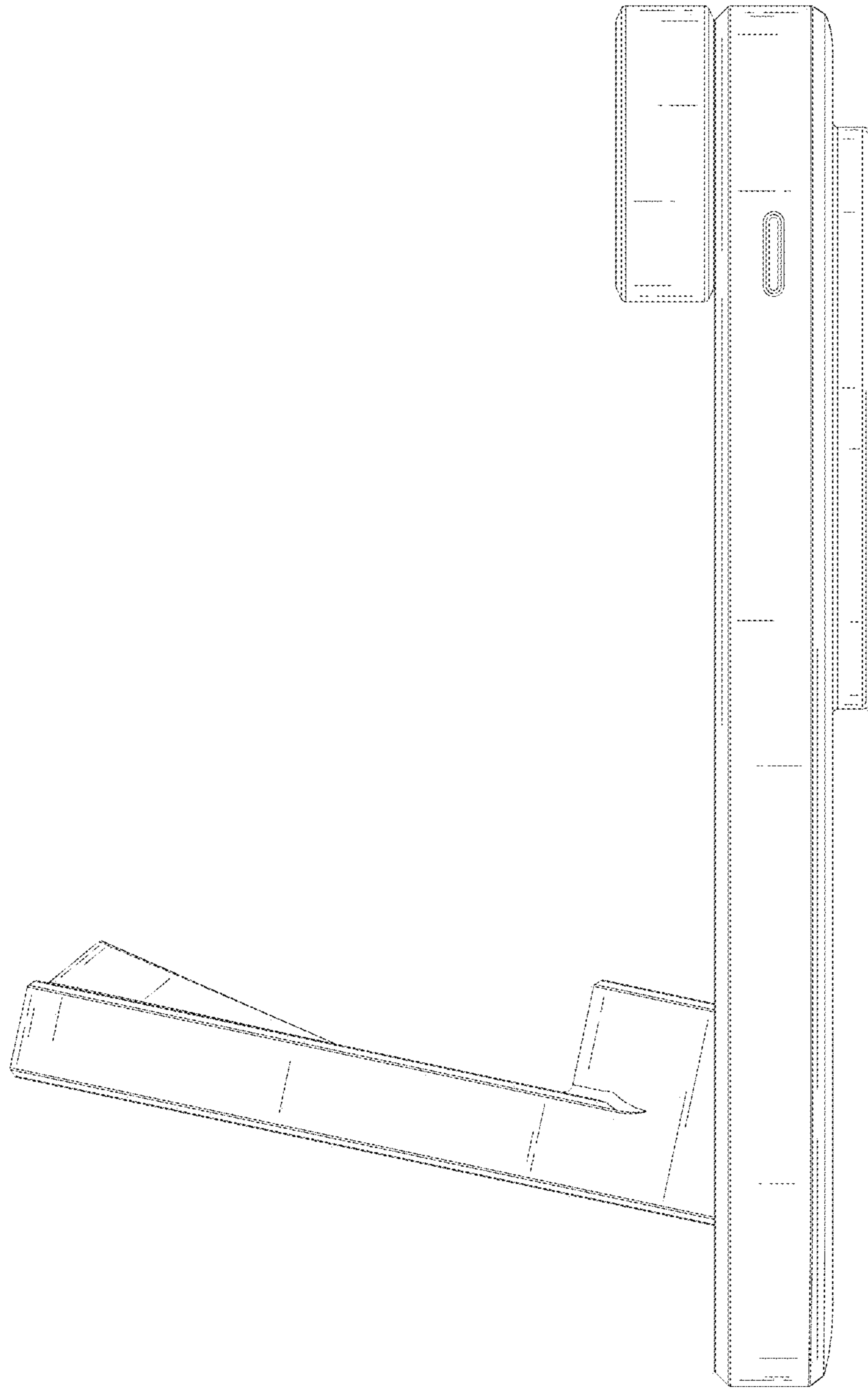


FIG. 5

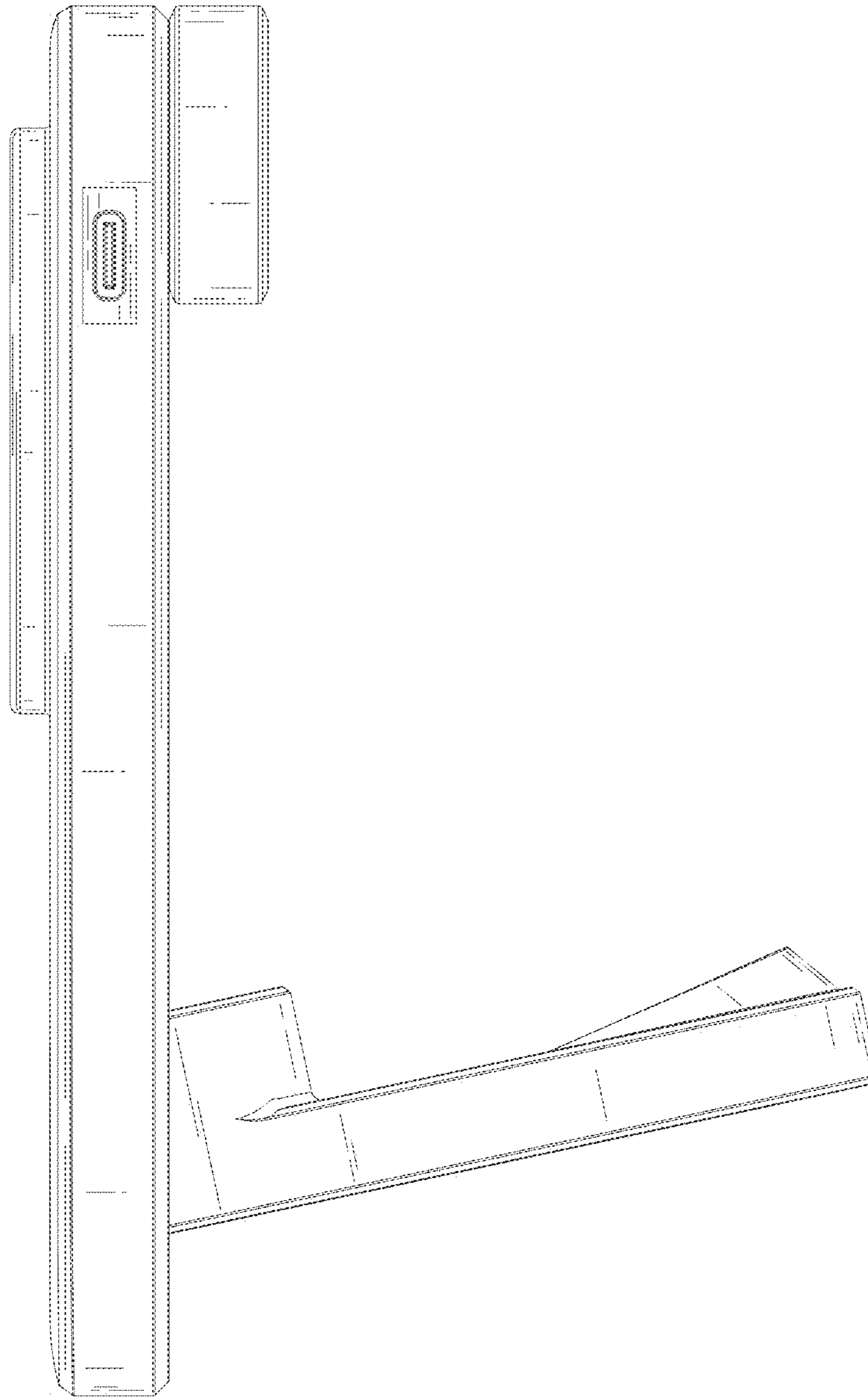


FIG. 6

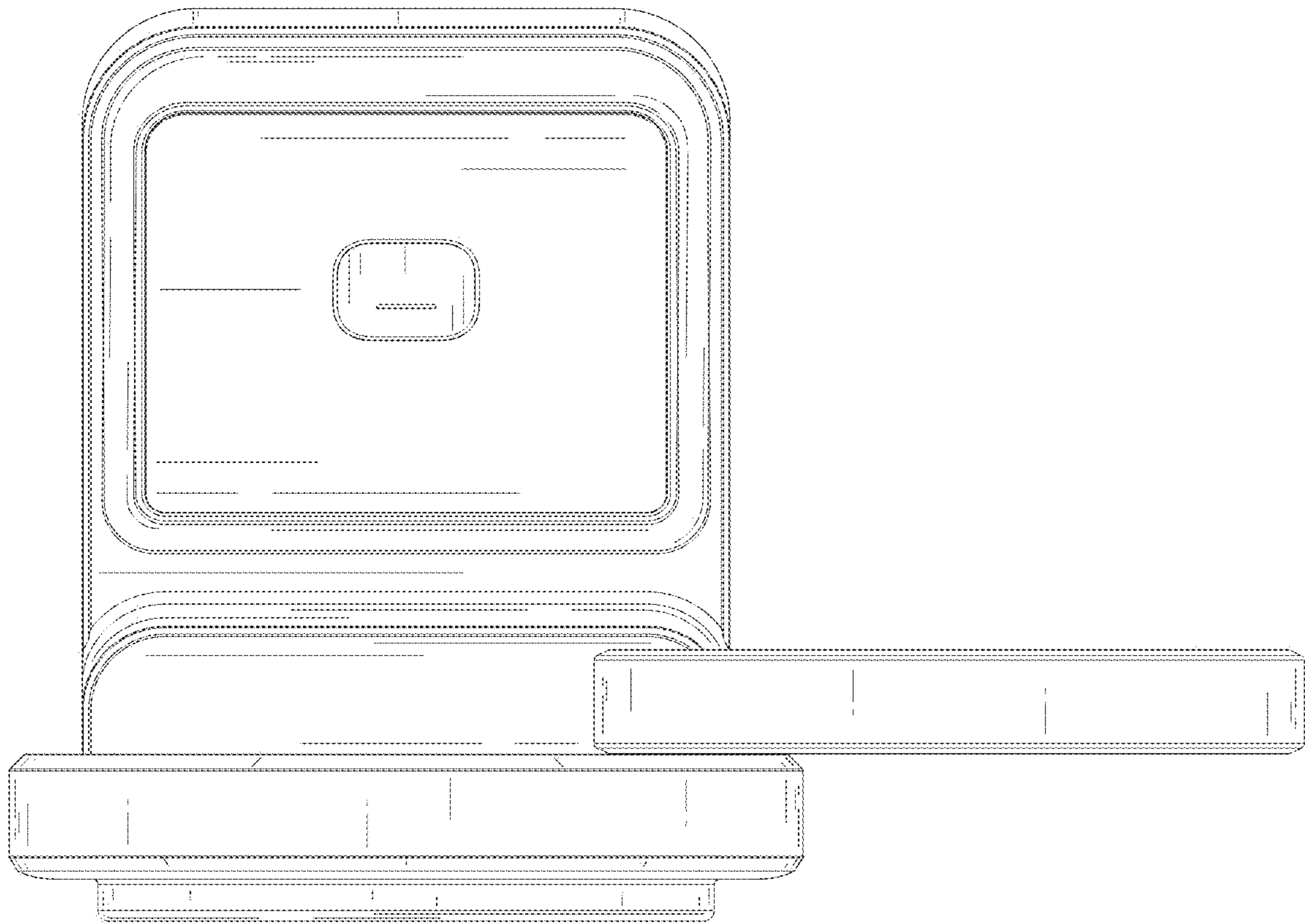


FIG. 7

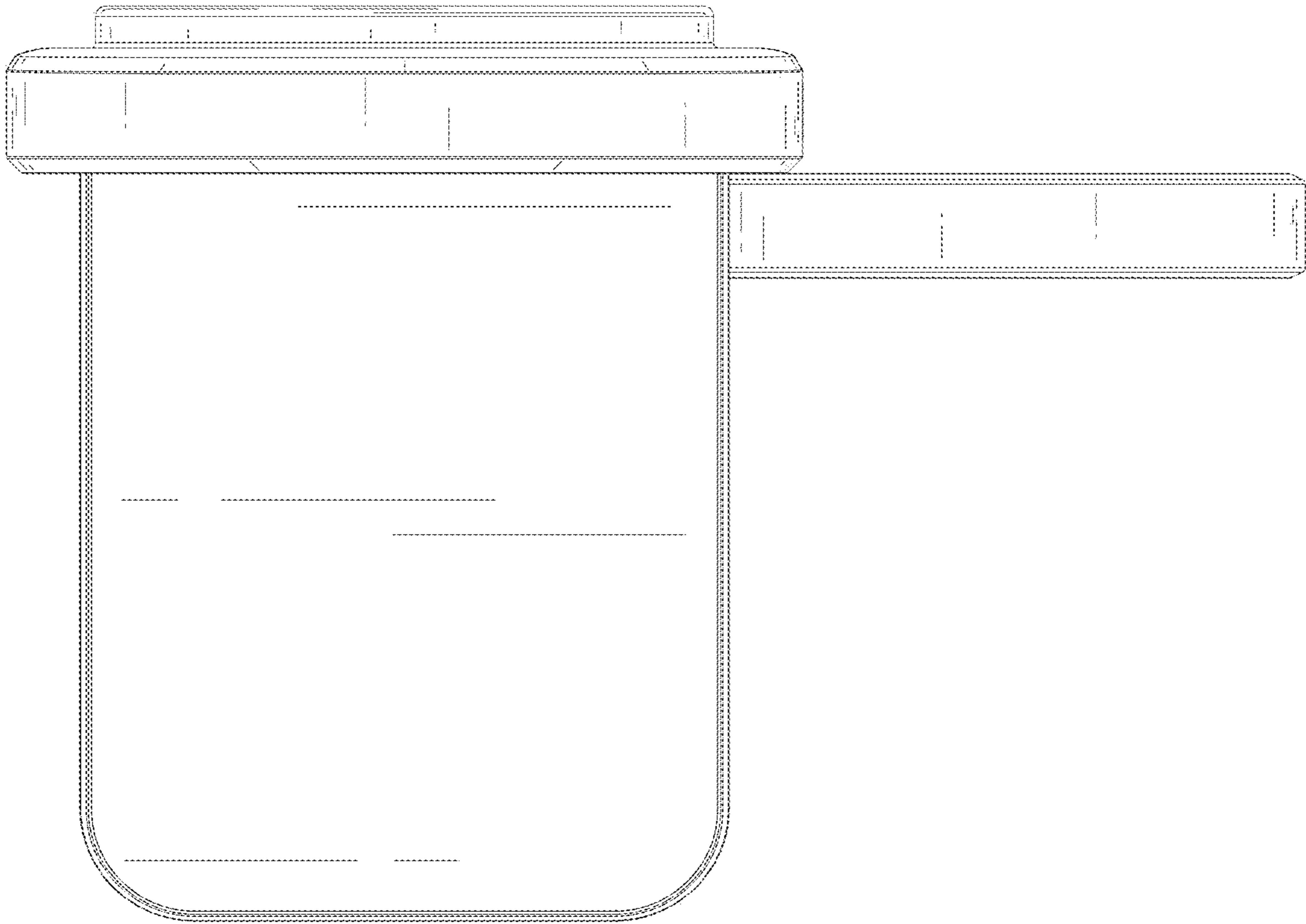


FIG. 8

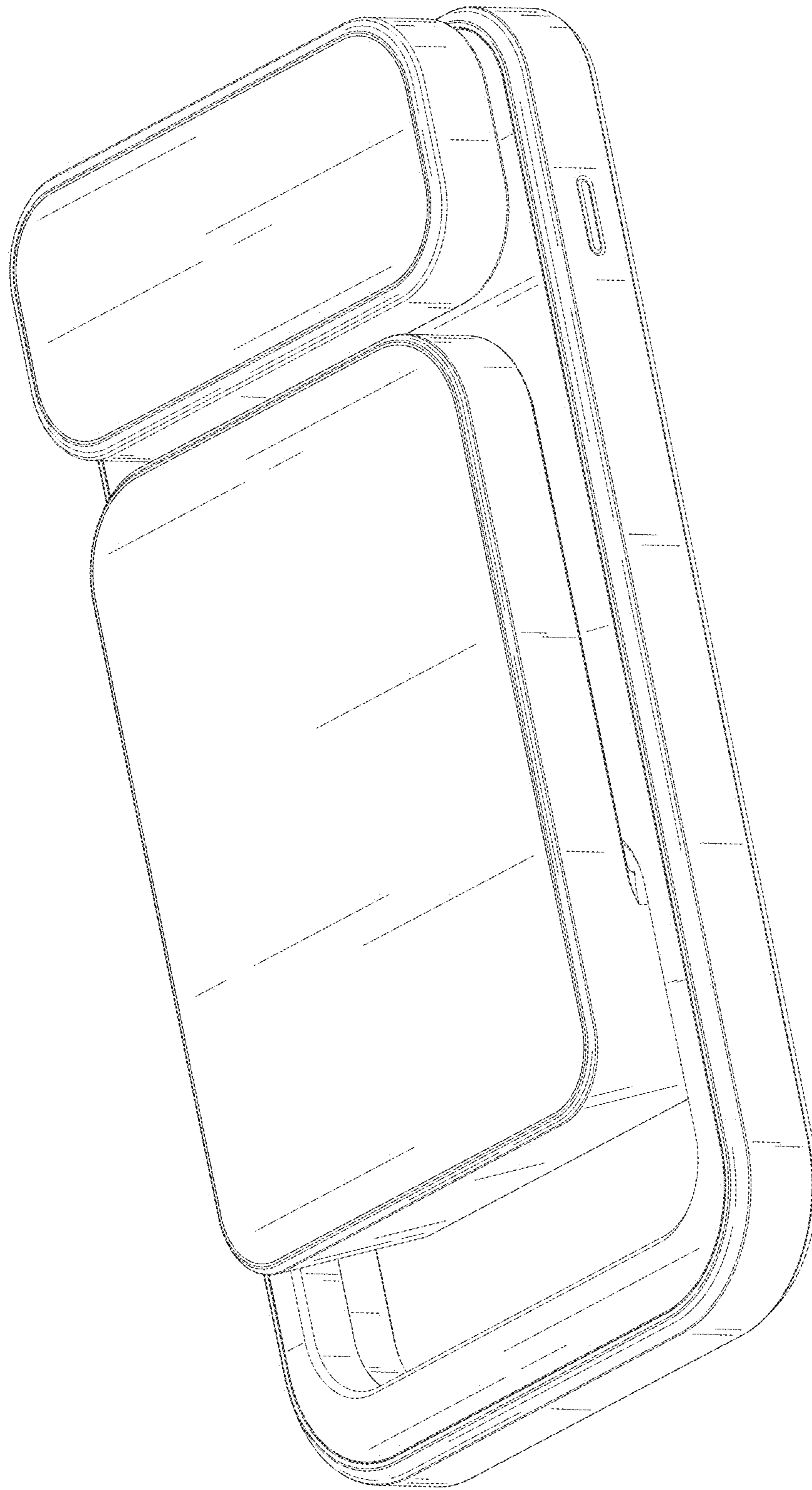


FIG. 9

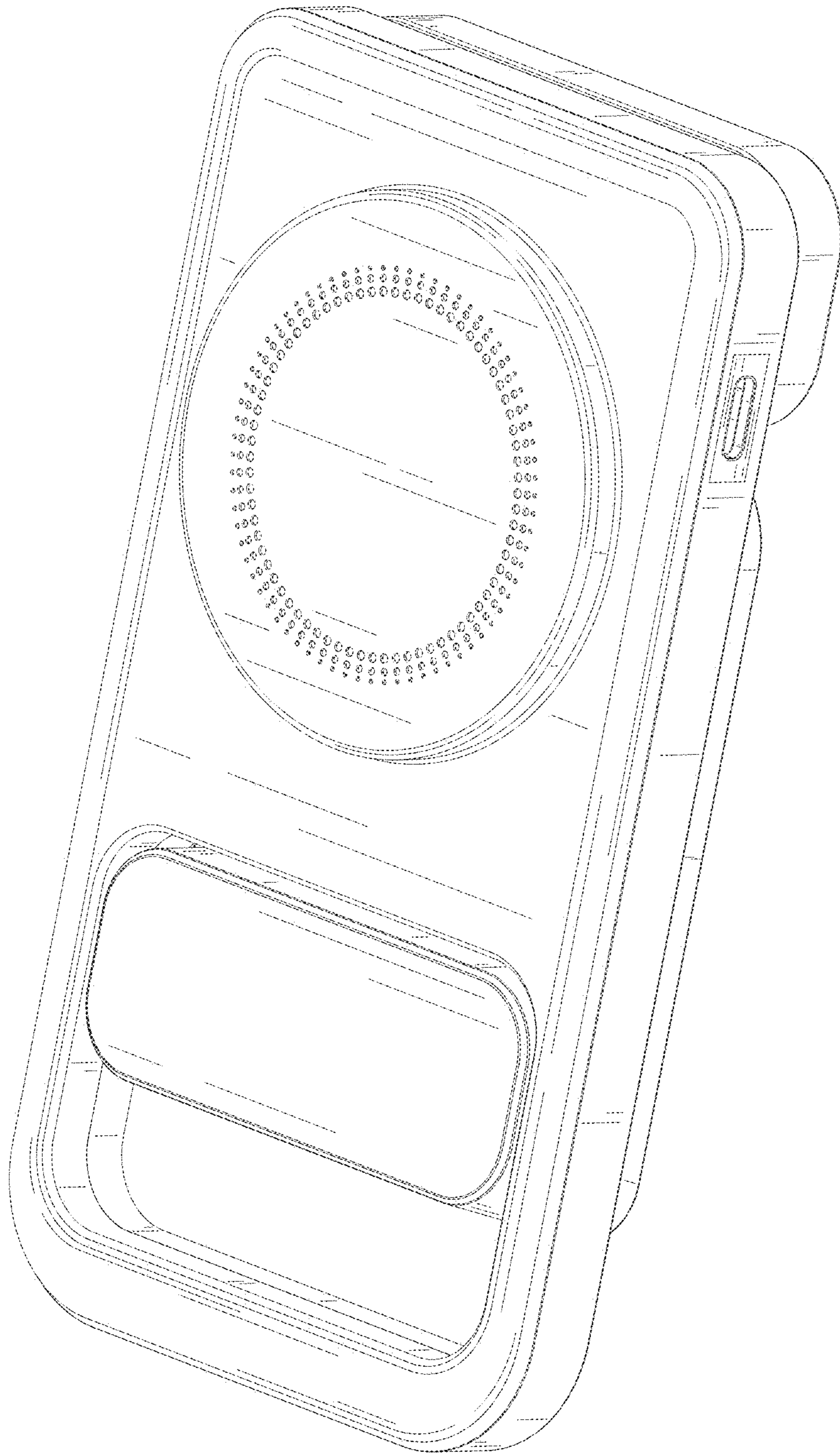


FIG. 10