



US00D985491S

(12) **United States Design Patent** (10) **Patent No.:** **US D985,491 S**  
**Zha** (45) **Date of Patent:** **\*\* May 9, 2023**

(54) **WIRELESS CHARGER**  
(71) Applicant: **Xianbao Zha**, Anqing (CN)  
(72) Inventor: **Xianbao Zha**, Anqing (CN)  
(\*\*) Term: **15 Years**  
(21) Appl. No.: **29/862,482**  
(22) Filed: **Dec. 9, 2022**

D976,207 S \* 1/2023 Wu ..... D13/108  
2009/0051319 A1\* 2/2009 Fang ..... H02J 7/0044  
320/115  
2010/0315041 A1\* 12/2010 Tan ..... H04M 1/04  
320/115

**OTHER PUBLICATIONS**

Kertxin, Date: Aug. 9, 2022, [online], [site visited Jan. 31, 2023]. Available from internet, URL: <https://www.amazon.com/Kertxin-Wireless-Charger-Foldable-Charging/dp/B0B93XG38C?th=1> (Year: 2022).\*

\* cited by examiner

*Primary Examiner* — Shawn T Gingrich  
*Assistant Examiner* — Bryan N. Melvin  
(74) *Attorney, Agent, or Firm* — Daniel M. Cohn;  
Howard M. Cohn

(30) **Foreign Application Priority Data**  
Nov. 28, 2022 (CN) ..... 202230796216.9  
(51) **LOC (14) Cl.** ..... **13-02**  
(52) **U.S. Cl.**  
USPC ..... **D13/108**; D13/118  
(58) **Field of Classification Search**  
USPC ..... D13/102–103, 107–108, 118; D14/240,  
D14/253, 434, 447; D24/186  
CPC ..... H02J 7/0044; H02J 50/10; H04M 1/04;  
H04M 1/0214  
See application file for complete search history.

(57) **CLAIM**

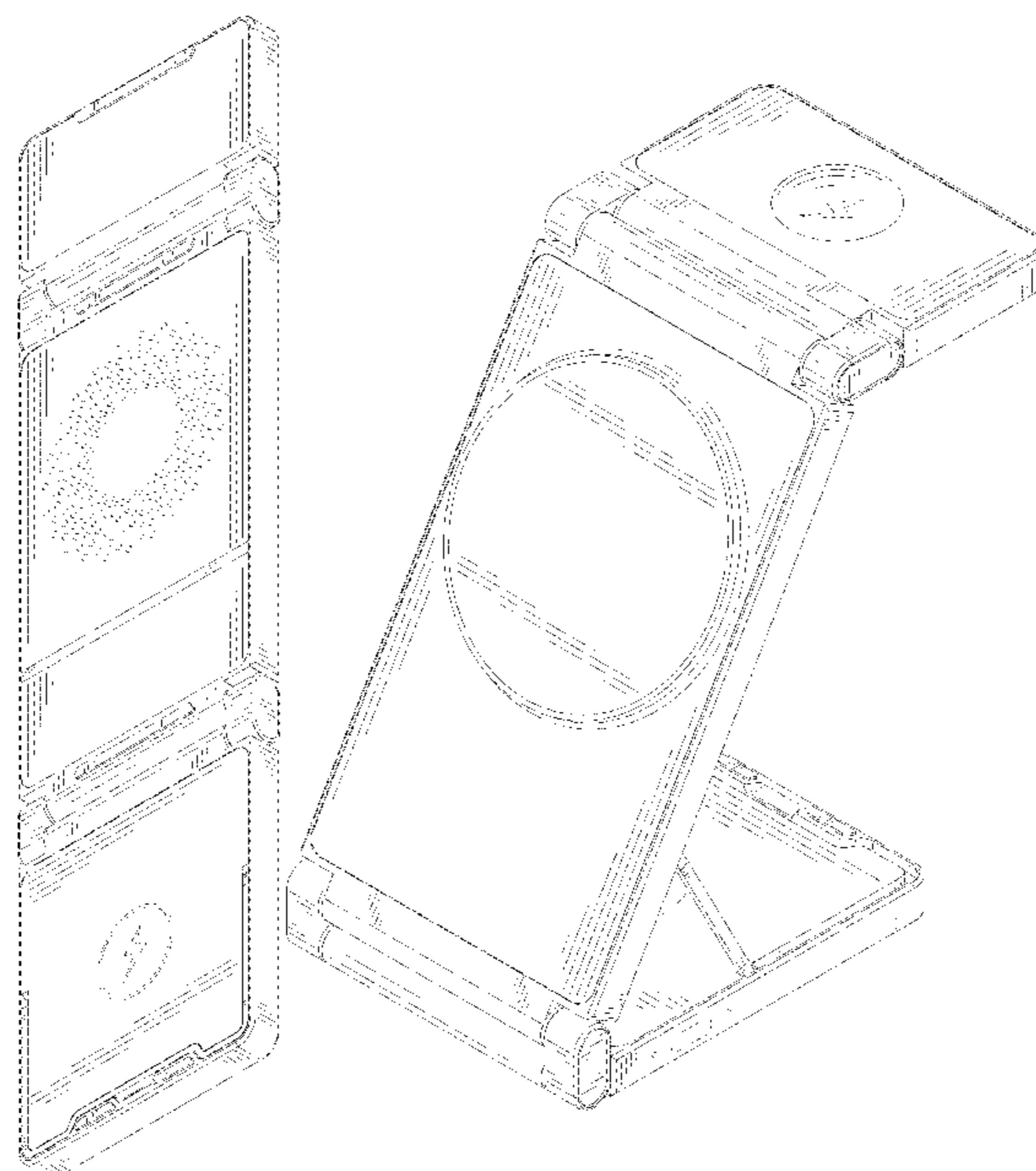
The ornamental design for a wireless charger, as shown and described.

**DESCRIPTION**

FIG. 1 is a perspective view of a wireless charger showing my new design;  
FIG. 2 is another perspective view thereof;  
FIG. 3 is a front elevational view thereof;  
FIG. 4 is a rear elevational view thereof;  
FIG. 5 is a left side elevational view thereof;  
FIG. 6 is a right side elevational view thereof;  
FIG. 7 is a top plan view thereof;  
FIG. 8 is a bottom plan view thereof;  
FIG. 9 is a perspective view of the wireless charger where a kickstand is in an open state; and,  
FIG. 10 is a perspective view of the wireless charger where the wireless charger is in a folded state.  
The broken lines in the drawings depict portions of the wireless charger that form no part of the claimed design.

(56) **References Cited**  
**U.S. PATENT DOCUMENTS**  
D611,407 S \* 3/2010 Webb ..... D13/108  
D639,731 S \* 6/2011 Sun ..... D13/103  
D665,341 S \* 8/2012 Chu ..... D13/103  
D666,614 S \* 9/2012 Ding ..... D14/253  
D738,823 S 9/2015 Chen  
10,312,717 B2\* 6/2019 Green ..... H02J 7/0044  
D868,691 S 12/2019 Sun  
D896,816 S \* 9/2020 Qiu ..... D14/434  
D897,953 S \* 10/2020 Chen ..... D13/108  
D915,276 S \* 4/2021 Peng ..... D13/108  
D937,775 S \* 12/2021 Maloney ..... D13/108  
D968,321 S \* 11/2022 Turksu ..... D13/108

**1 Claim, 10 Drawing Sheets**



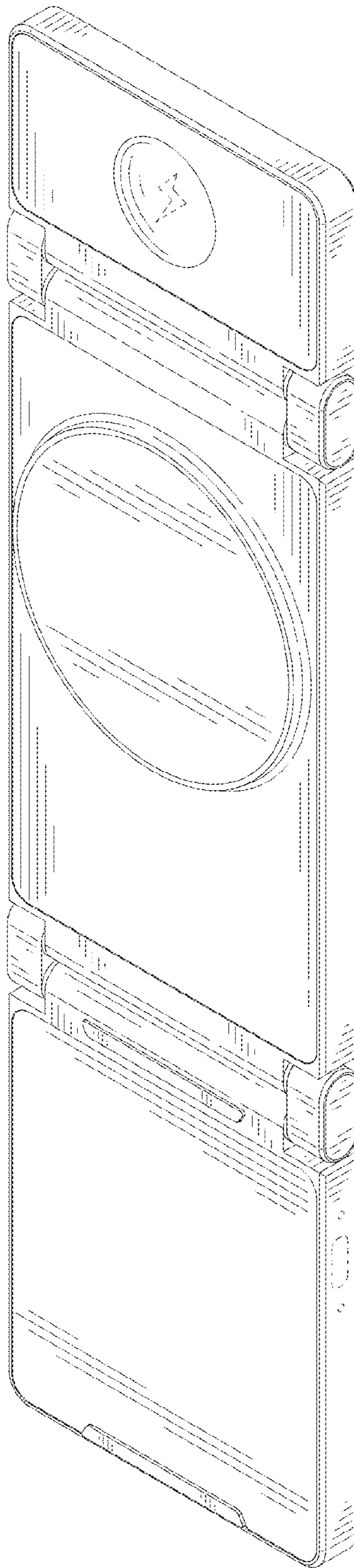


FIG. 1

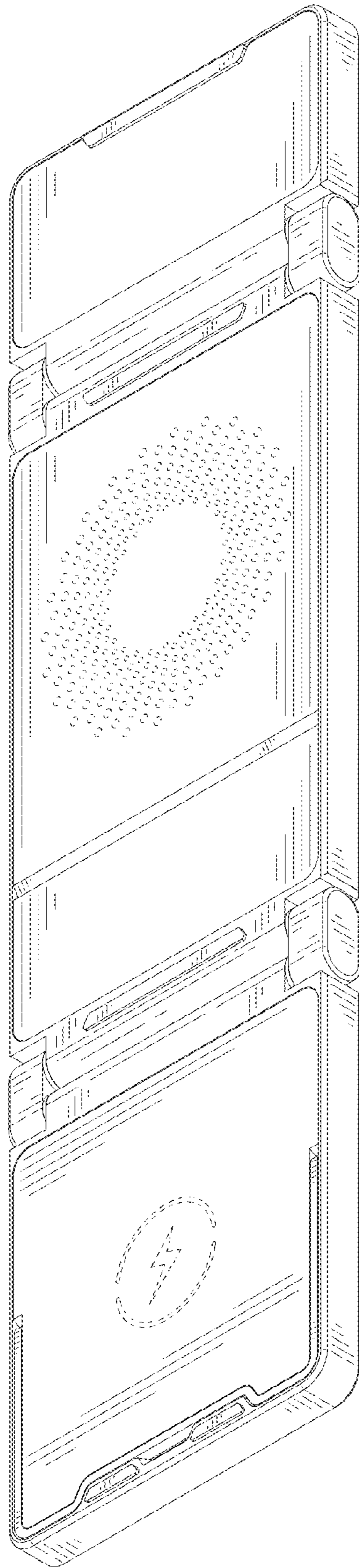


FIG. 2

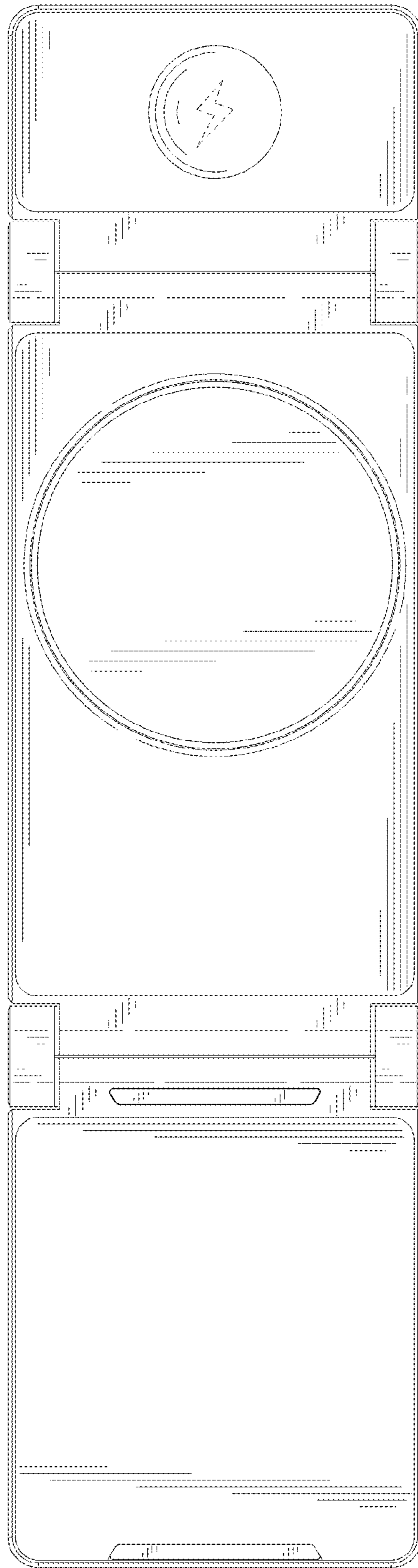


FIG. 3



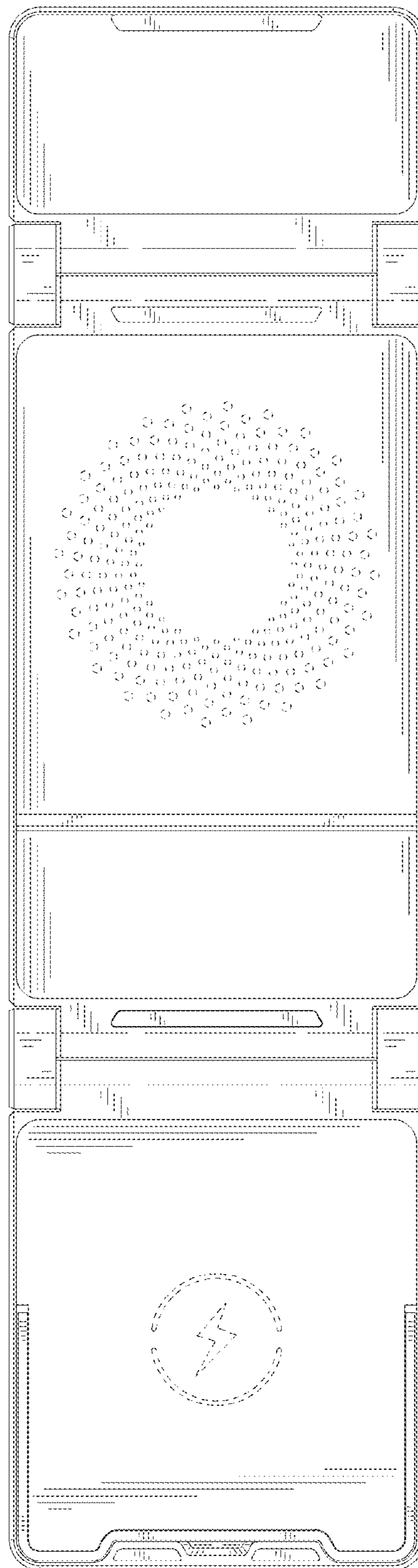


FIG. 4

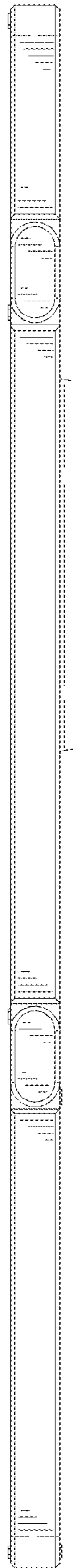


FIG. 5

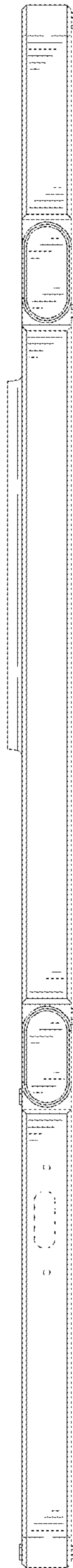


FIG. 6

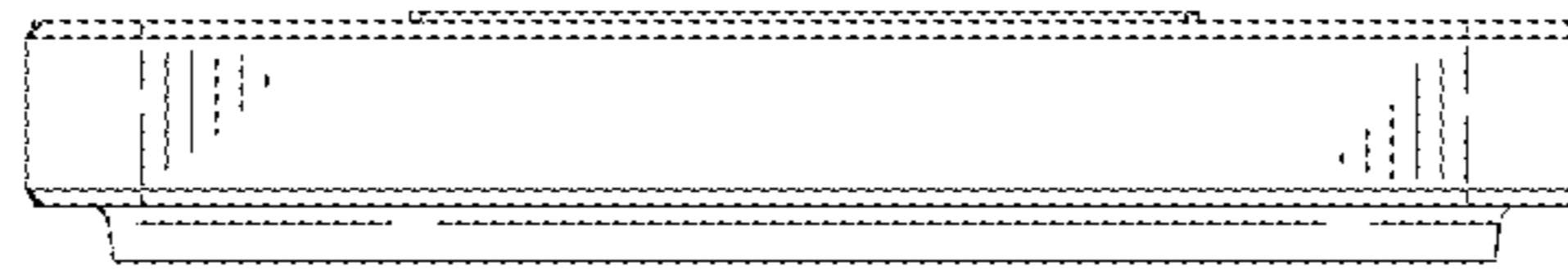


FIG. 7



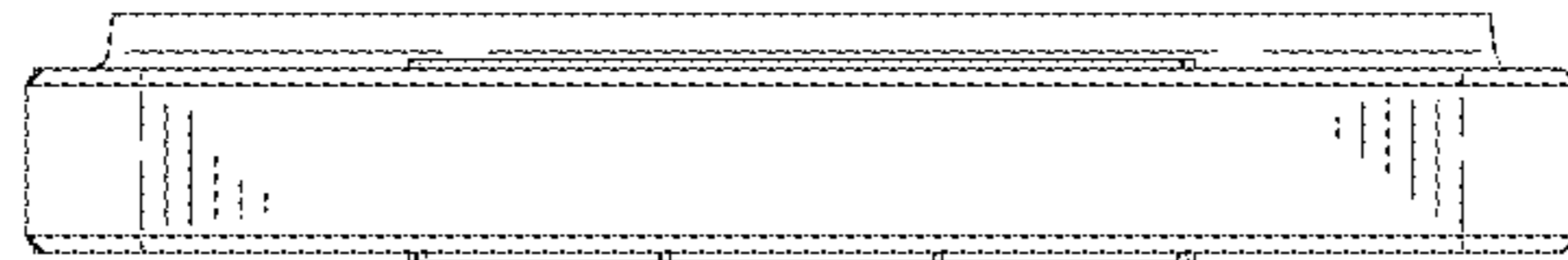


FIG. 8

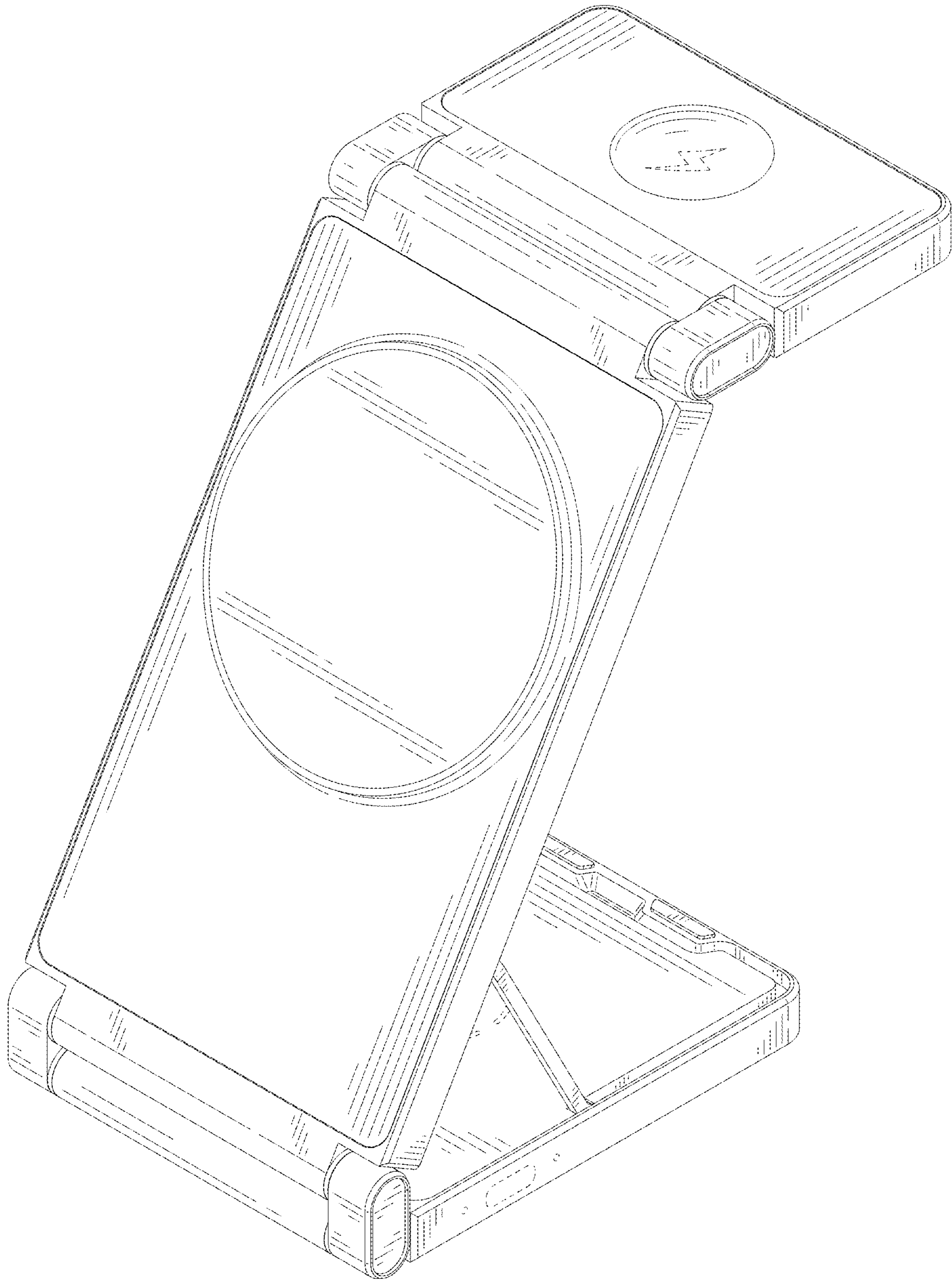


FIG. 9

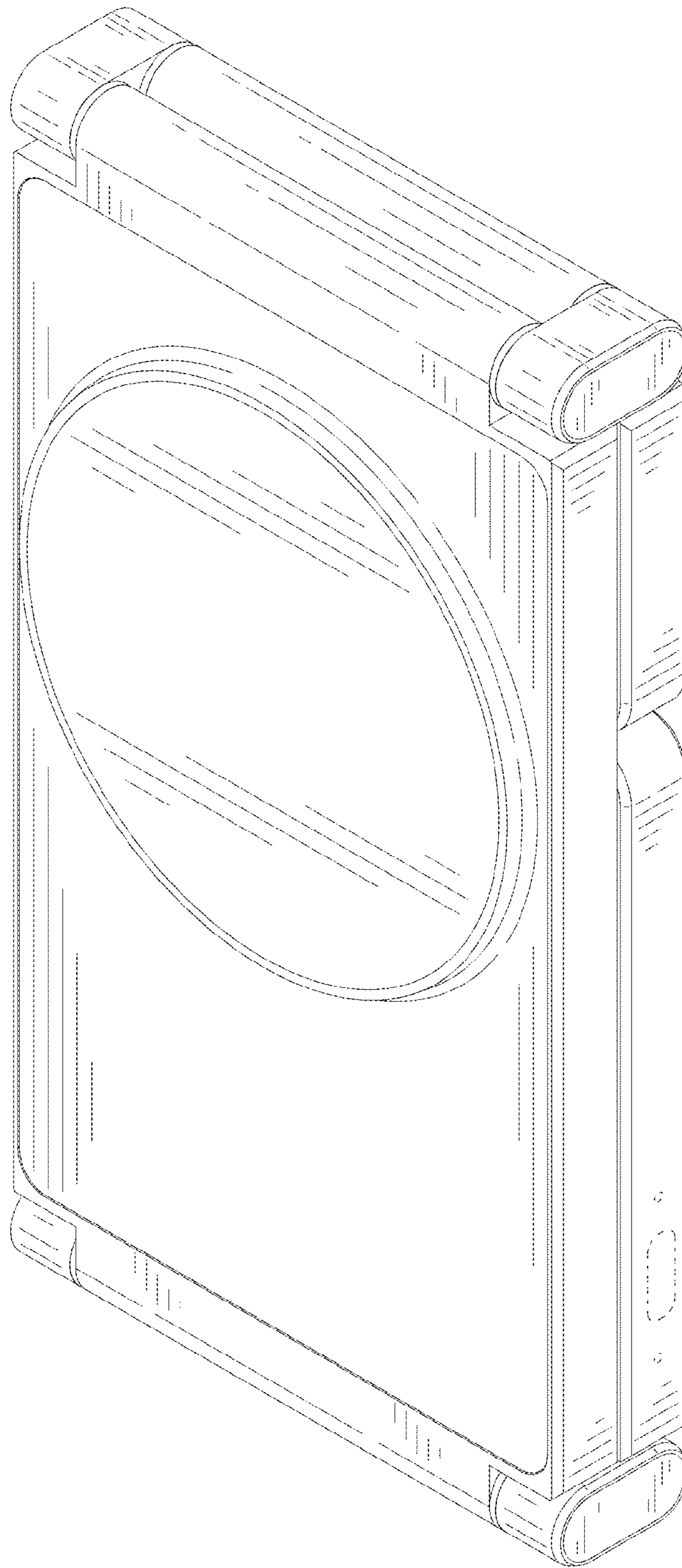


FIG. 10