



US00D985490S

(12) **United States Design Patent**  
**Zhang et al.**

(10) **Patent No.:** **US D985,490 S**  
(45) **Date of Patent:** **\*\* May 9, 2023**

- (54) **PORTABLE MAGNETIC CHARGER FOR SMARTWATCH**
- (71) Applicant: **UGREEN GROUP LIMITED**,  
Shenzhen (CN)
- (72) Inventors: **Qingsen Zhang**, Shenzhen (CN);  
**Junling Chen**, Shenzhen (CN);  
**Zhuohao Liang**, Shenzhen (CN)
- (\*\*) Term: **15 Years**
- (21) Appl. No.: **29/701,822**
- (22) Filed: **Aug. 15, 2019**
- (51) **LOC (14) Cl.** ..... **13-02**
- (52) **U.S. Cl.**  
USPC ..... **D13/108**
- (58) **Field of Classification Search**  
USPC ..... D13/107–108, 110, 118–119, 184, 199;  
D14/251, 253, 432–434, 447  
CPC .... H02J 7/025; H02J 7/005; H02J 7/02; H02J  
7/0026; H02J 7/0042; H02J 7/0044; H02J  
7/0045; H02J 7/13; H02J 7/0003; H02J  
50/00; H02J 50/10; H02J 50/12; H02J  
50/80  
See application file for complete search history.

- (56) **References Cited**  
U.S. PATENT DOCUMENTS  
D669,027 S \* 10/2012 Kumpula ..... D13/108  
D708,132 S \* 7/2014 Wen ..... D13/108  
D718,712 S \* 12/2014 Aumiller ..... D13/108  
D725,034 S \* 3/2015 Chen ..... D13/108  
D737,760 S \* 9/2015 Kyriakoulis ..... D13/108  
D744,419 S \* 12/2015 Bowen ..... H02J 7/0042  
D27/194  
D816,025 S \* 4/2018 Thompson ..... D27/194  
D821,309 S \* 6/2018 Barnard ..... D13/108  
D822,599 S \* 7/2018 Zhong ..... D13/103

- D839,189 S \* 1/2019 Miller ..... D13/103
- D850,367 S \* 6/2019 Xiong ..... D14/434
- D859,307 S \* 9/2019 Campos ..... D13/108
- D885,333 S \* 5/2020 von Badinski ..... D13/108
- D887,977 S \* 6/2020 Weinstein ..... H02J 7/00  
D13/108
- D888,659 S \* 6/2020 Zhang ..... D13/108
- D899,359 S \* 10/2020 Zhang ..... D13/108
- D906,959 S \* 1/2021 Turksu ..... D13/108
- D911,955 S \* 3/2021 Turksu ..... D13/108
- D913,222 S \* 3/2021 Albay ..... D13/108
- D926,680 S \* 8/2021 Wang ..... D27/194
- D926,684 S \* 8/2021 Cheung ..... D27/194
- D936,573 S \* 11/2021 Turksu ..... D13/108
- D939,437 S \* 12/2021 Liao ..... D13/108
- D950,563 S \* 5/2022 Zhang ..... D14/434
- D953,260 S \* 5/2022 On ..... D13/108

\* cited by examiner

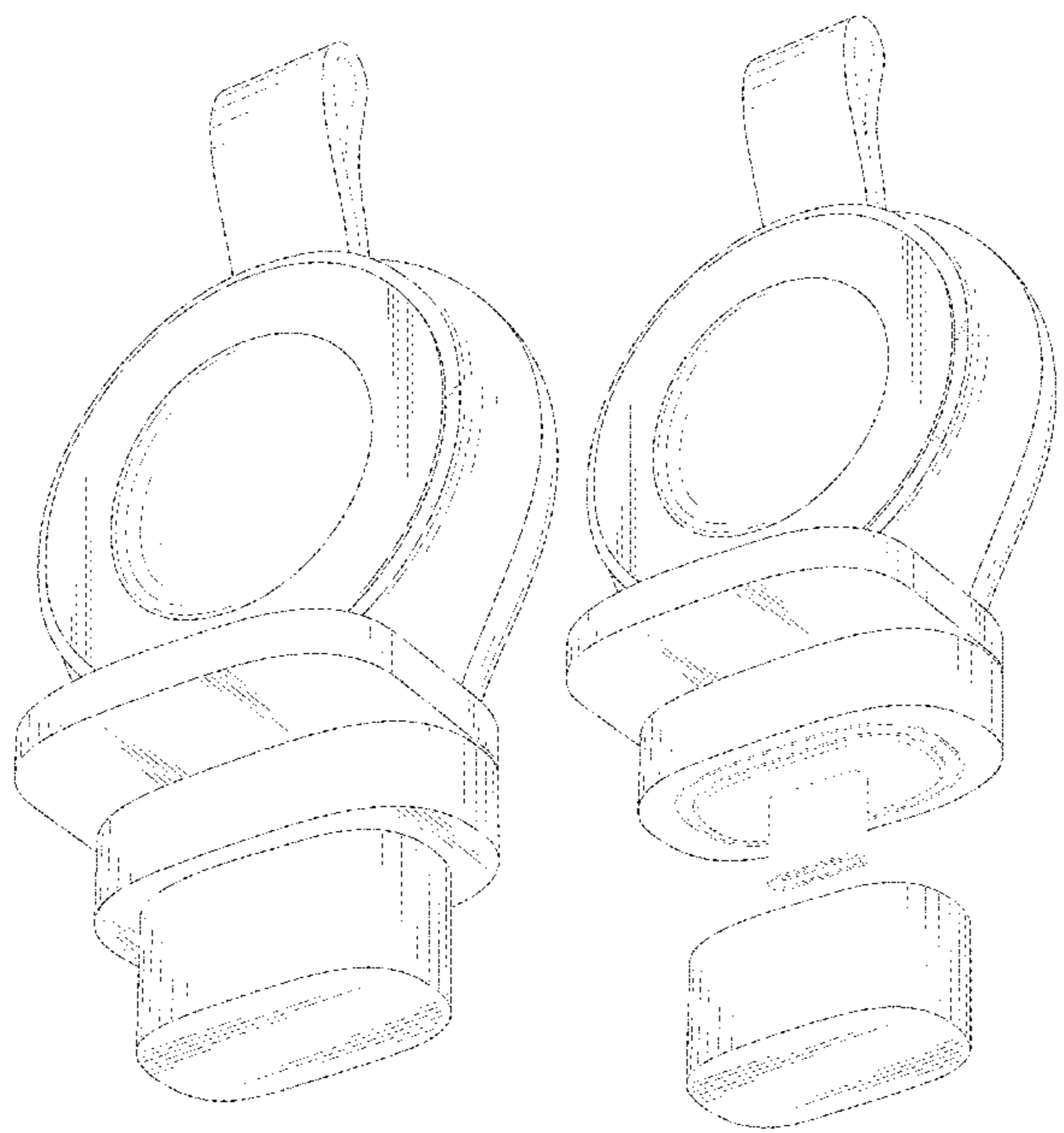
*Primary Examiner* — Rosemary K Tarcza

(57) **CLAIM**  
The ornamental design for a portable magnetic charger for smartwatch, as shown and described.

**DESCRIPTION**

FIG. 1 is a perspective view of a portable magnetic charger for smartwatch showing our new design;  
FIG. 2 is a front elevational view thereof;  
FIG. 3 is a back elevational view thereof;  
FIG. 4 is a left side elevational view thereof;  
FIG. 5 is a right side elevational view thereof;  
FIG. 6 is a top plan view thereof;  
FIG. 7 is a bottom plan view thereof; and,  
FIG. 8 is a perspective view thereof, showing a cap being pulled out.  
The broken lines in the figures illustrate portions of the portable magnetic charger for smartwatch that form no part of the claimed design.

**1 Claim, 8 Drawing Sheets**



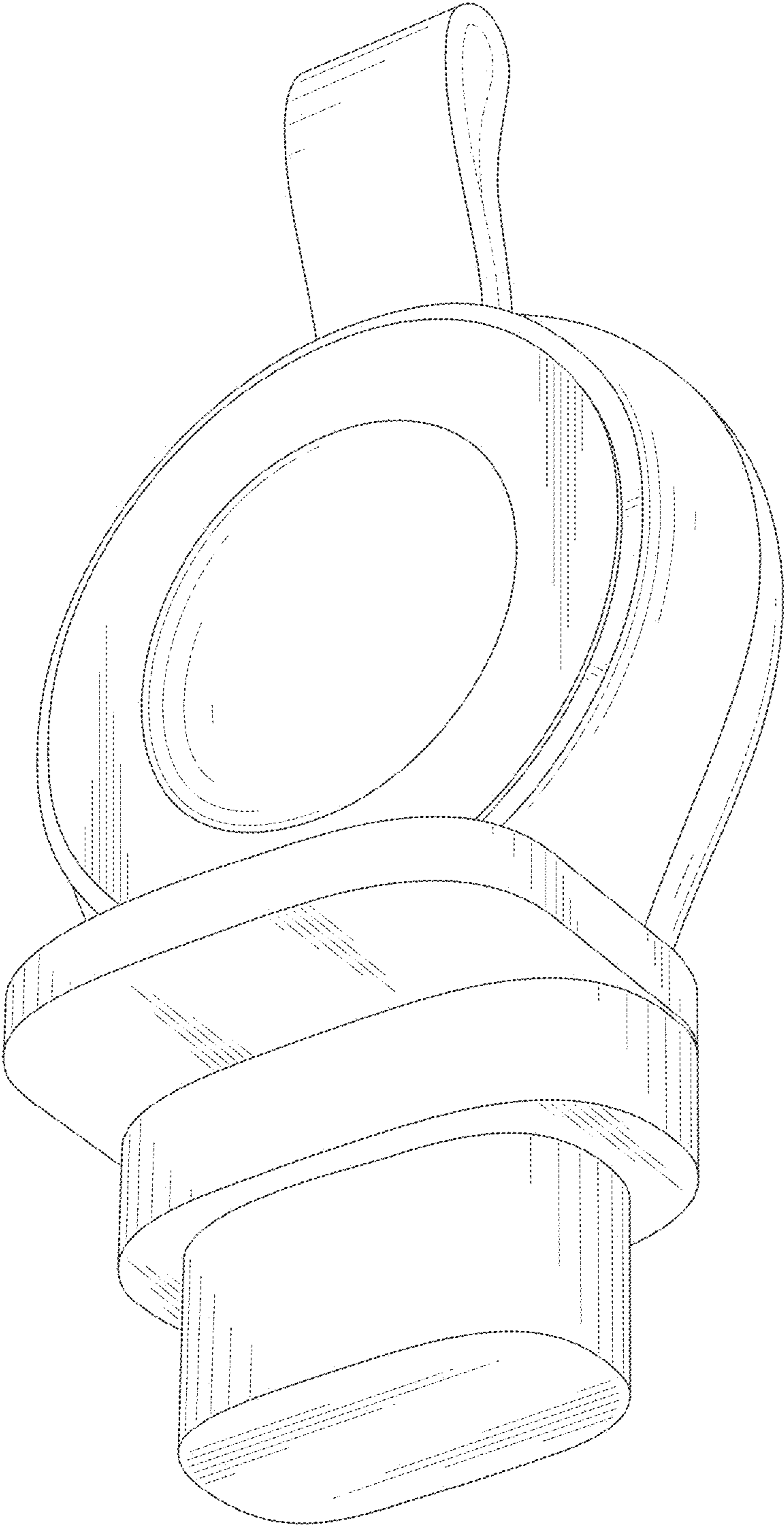


FIG. 1

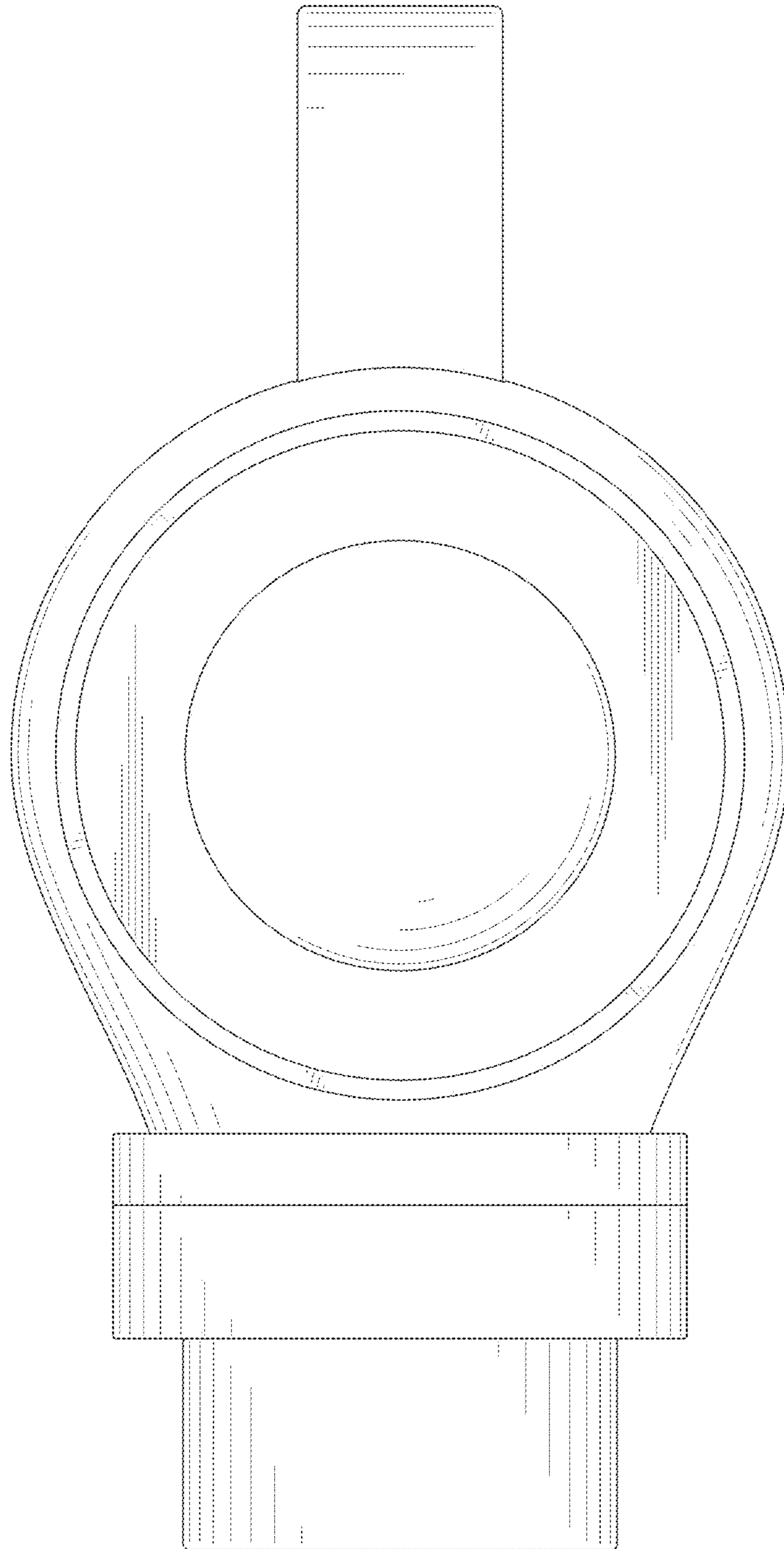


FIG. 2

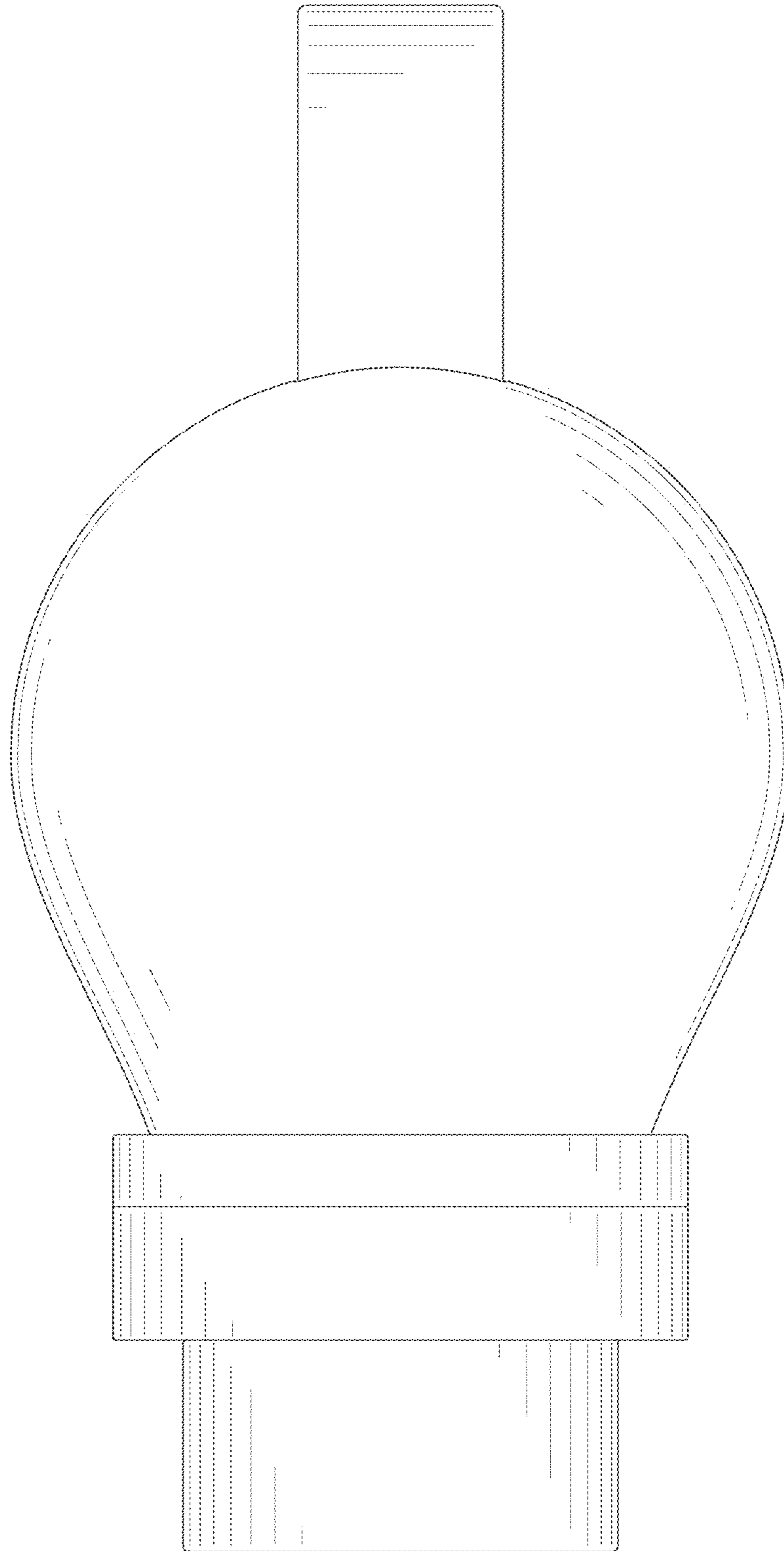


FIG. 3

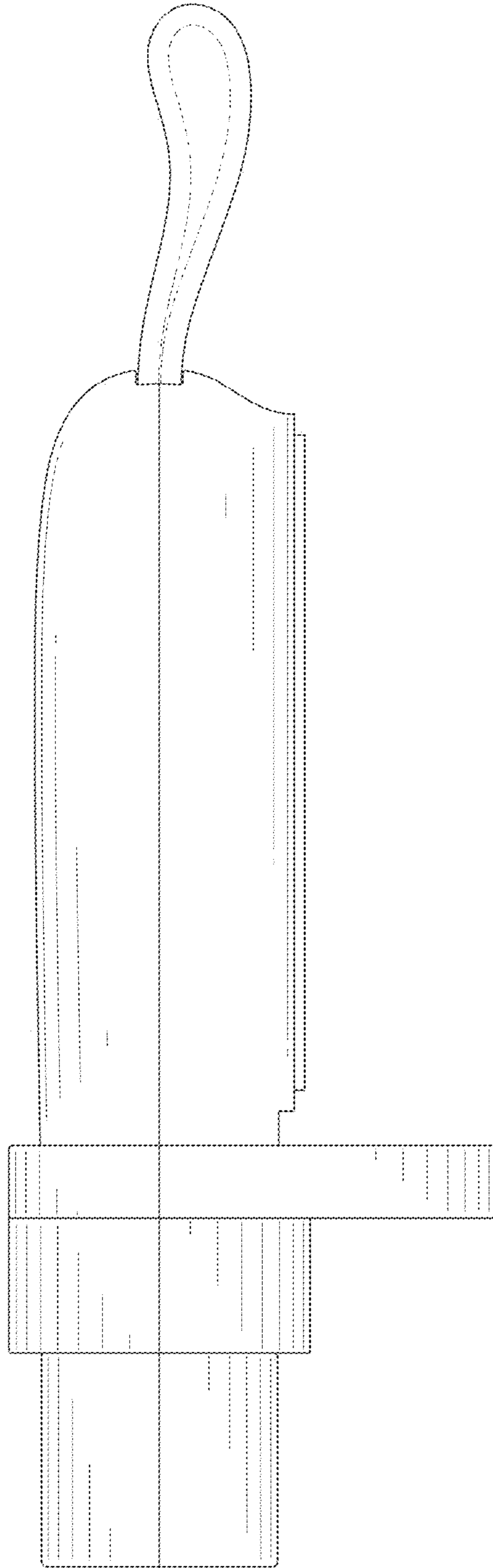


FIG. 4

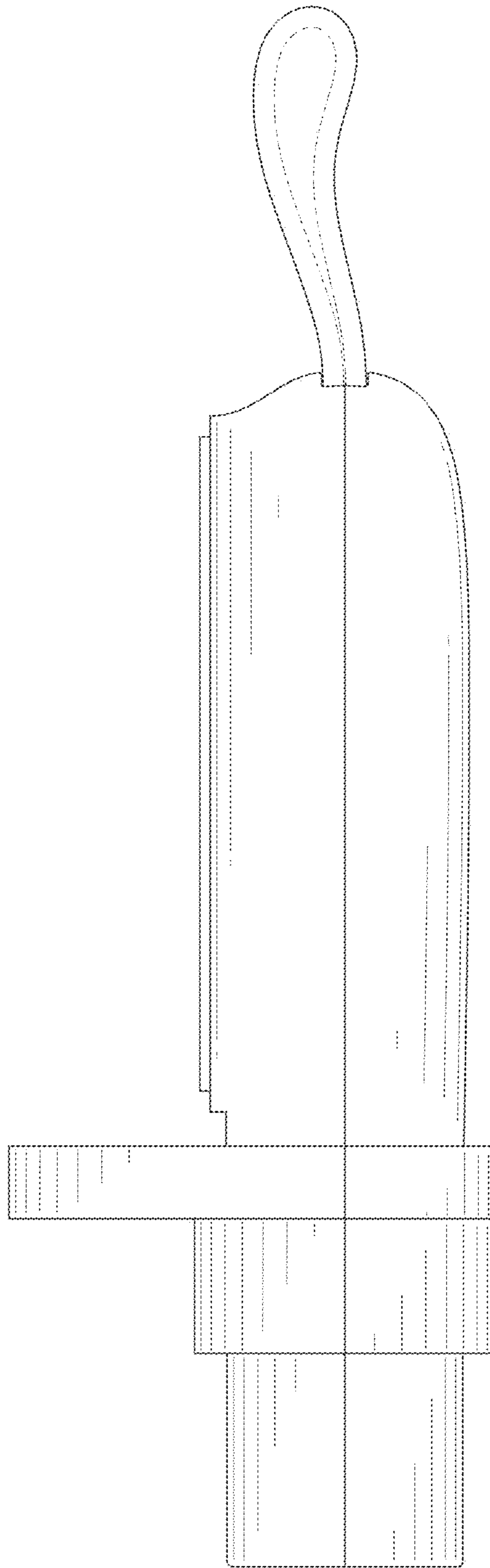


FIG. 5

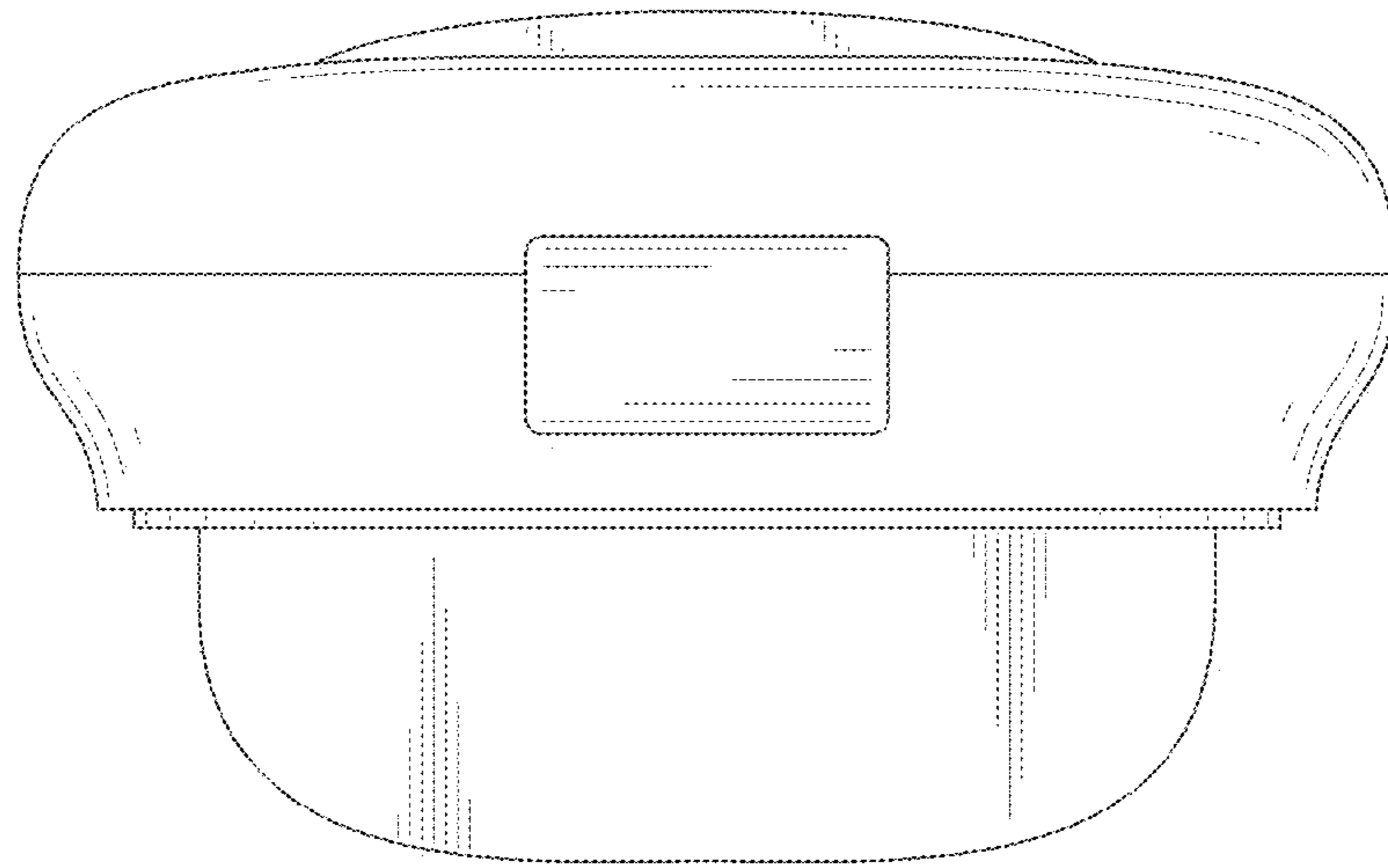


FIG. 6

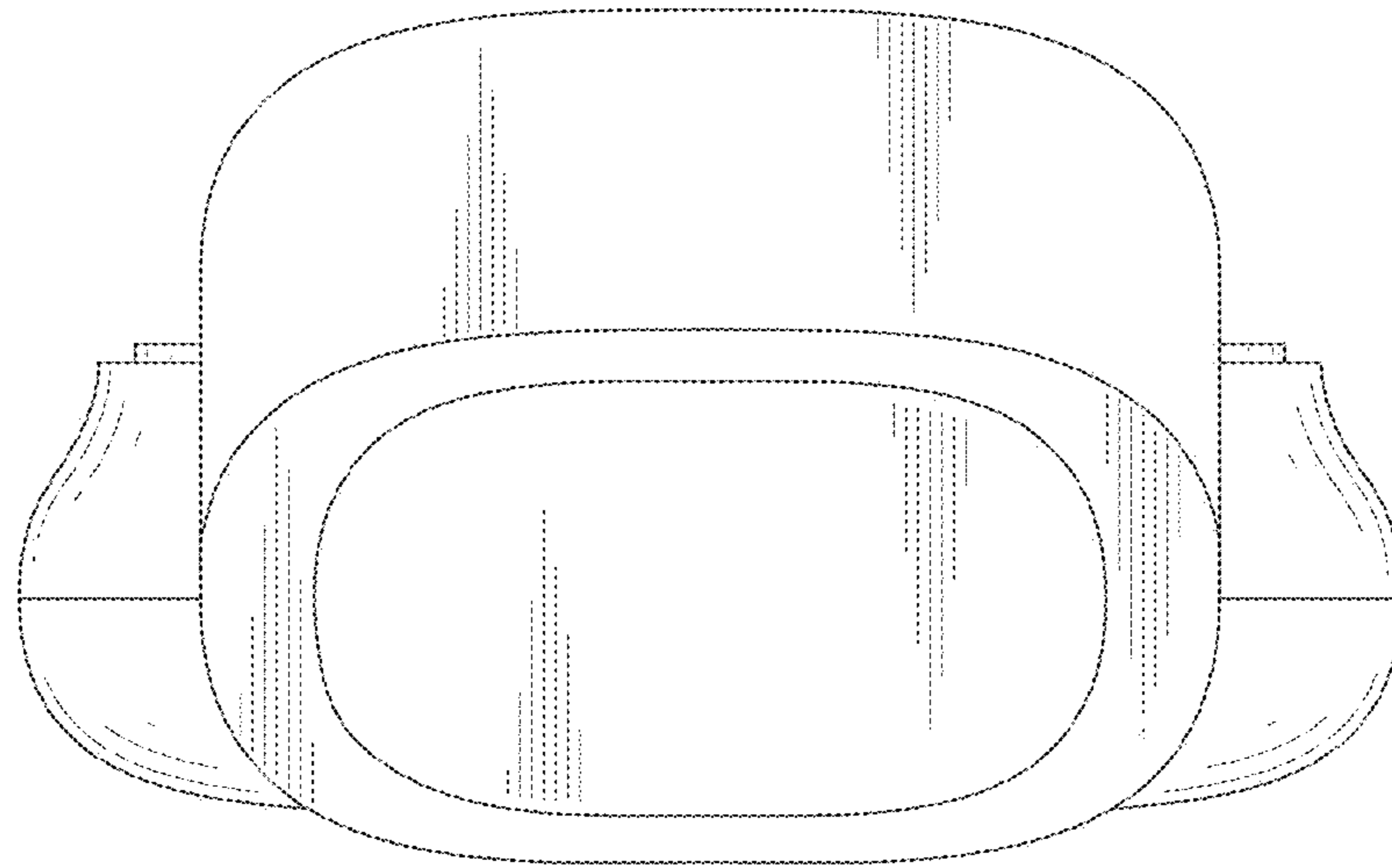


FIG. 7



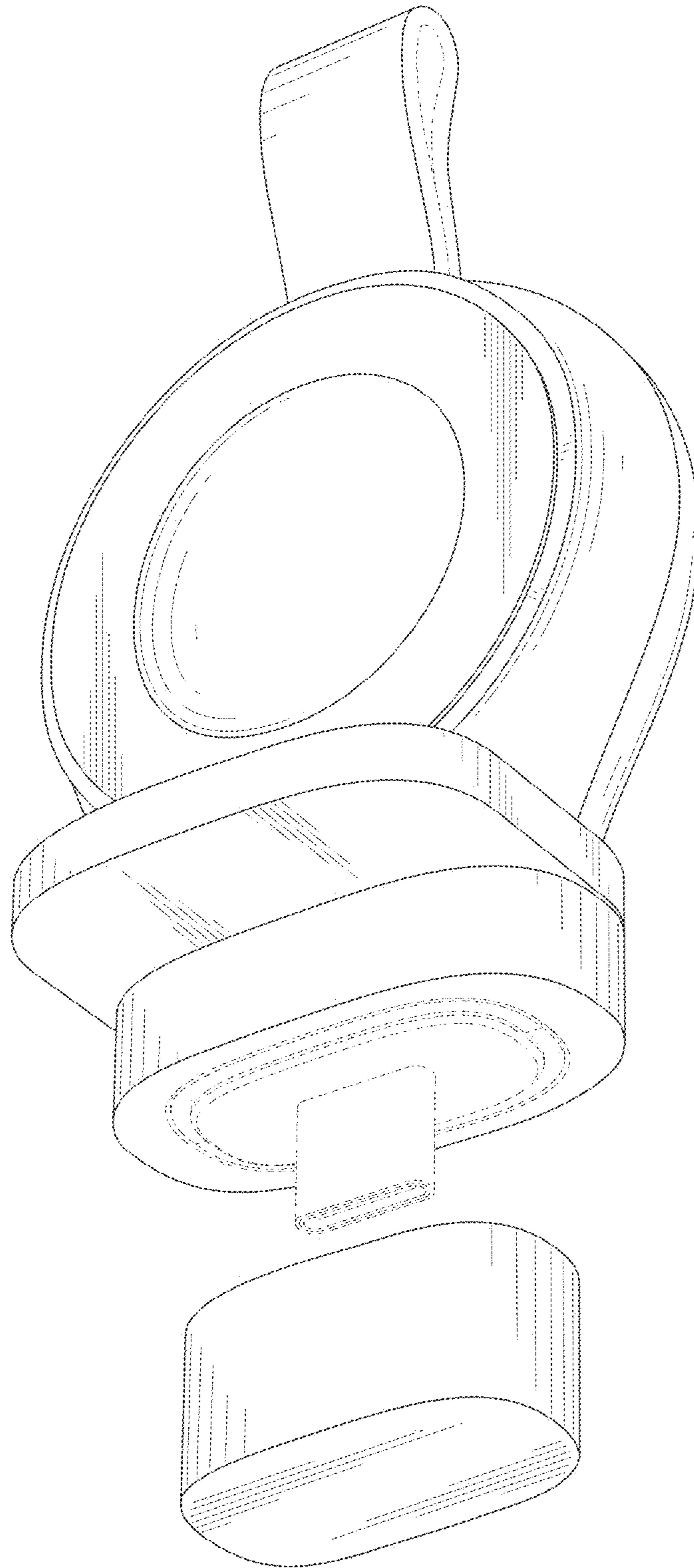


FIG. 8