



US00D985488S

(12) **United States Design Patent** (10) **Patent No.:** **US D985,488 S**
Li (45) **Date of Patent:** **** May 9, 2023**

(54) **SOLAR ANIMAL REPELLER**
(71) Applicant: **Lan Li**, Shenzhen (CN)
(72) Inventor: **Lan Li**, Shenzhen (CN)
(**) Term: **15 Years**

D693,900 S * 11/2013 Jan D22/120
D723,654 S * 3/2015 Liu D22/120
D768,806 S * 10/2016 Wu D22/120
D834,515 S * 11/2018 Zhang D13/102
D878,287 S * 3/2020 Shi D13/102

* cited by examiner

(21) Appl. No.: **29/789,851**
(22) Filed: **Oct. 21, 2021**

Primary Examiner — Derrick E Holland
(74) *Attorney, Agent, or Firm* — Li & Cai Intellectual Property (USA) Office

(51) **LOC (14) Cl.** **13-02**
(52) **U.S. Cl.**
USPC **D13/102**; D22/120
(58) **Field of Classification Search**
USPC D13/101, 102, 110, 199; D22/119, 120;
D26/26, 68
CPC A01K 15/023; A01M 29/12; A01M 29/16;
A01M 29/18; A01M 17/002; H01L
31/042; H01L 31/045; H01L 31/048;
H01L 31/052; H02S 40/34
See application file for complete search history.

(57) **CLAIM**

The ornamental design for a solar animal repeller, as shown and described.

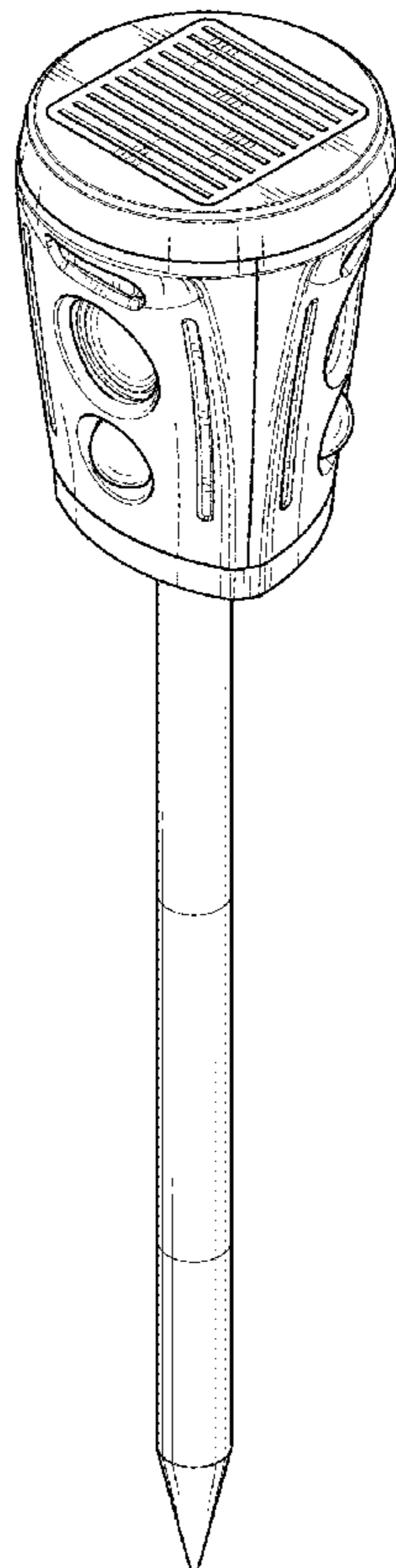
DESCRIPTION

FIG. 1 is a front, right side, top perspective view of a solar animal repeller showing the claimed design; FIG. 2 is a front elevational view thereof; FIG. 3 is a rear elevational view thereof; FIG. 4 is a left side elevational view thereof; FIG. 5 is a right side elevational view thereof; FIG. 6 is a top plan view thereof; and, FIG. 7 is a bottom plan view thereof. The dashed broken lines in the drawing depict portions of the solar animal repeller that form no part of the claimed design.

(56) **References Cited**
U.S. PATENT DOCUMENTS

D469,148 S * 1/2003 Levine D22/120
D639,893 S * 6/2011 Feuerstein D22/120
D641,897 S * 7/2011 Weiser D26/26
8,281,747 B1 * 10/2012 Few A01K 15/023
119/719
D681,769 S * 5/2013 Jan D22/120

1 Claim, 6 Drawing Sheets



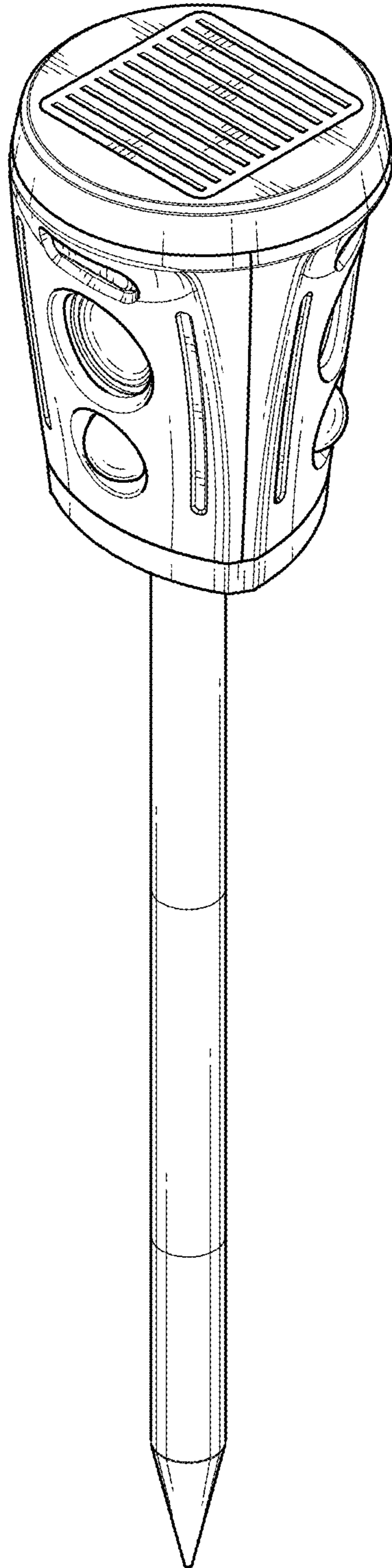


FIG. 1

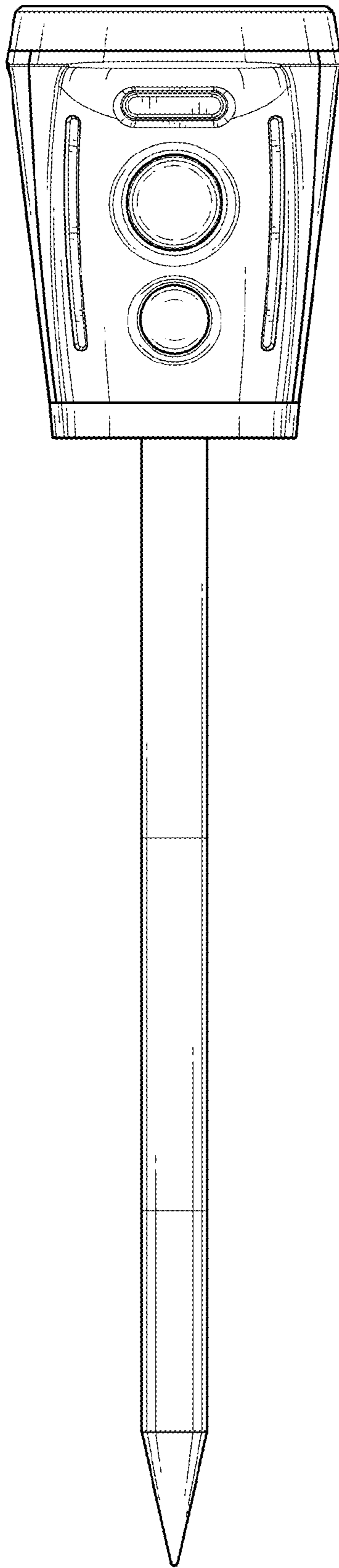


FIG. 2

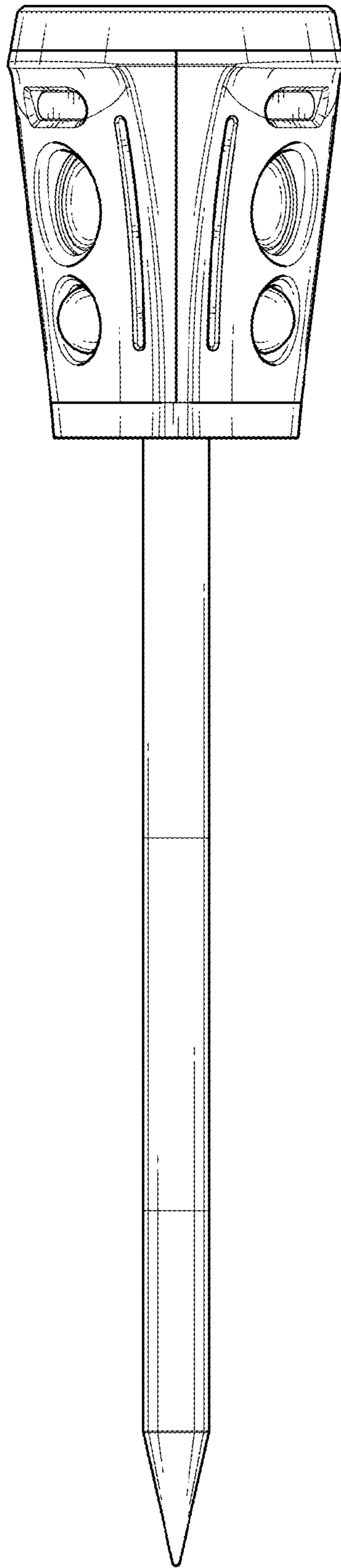


FIG. 3

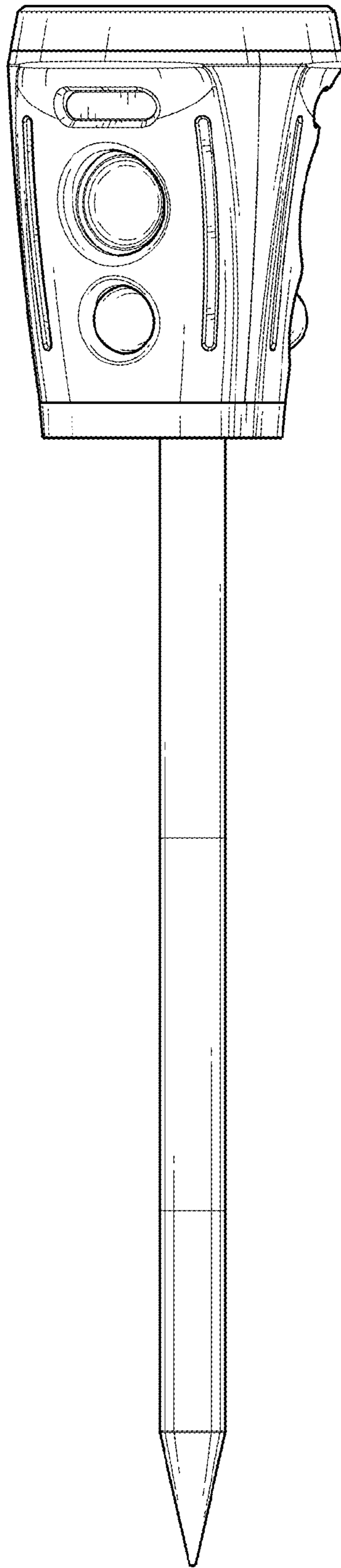


FIG. 4

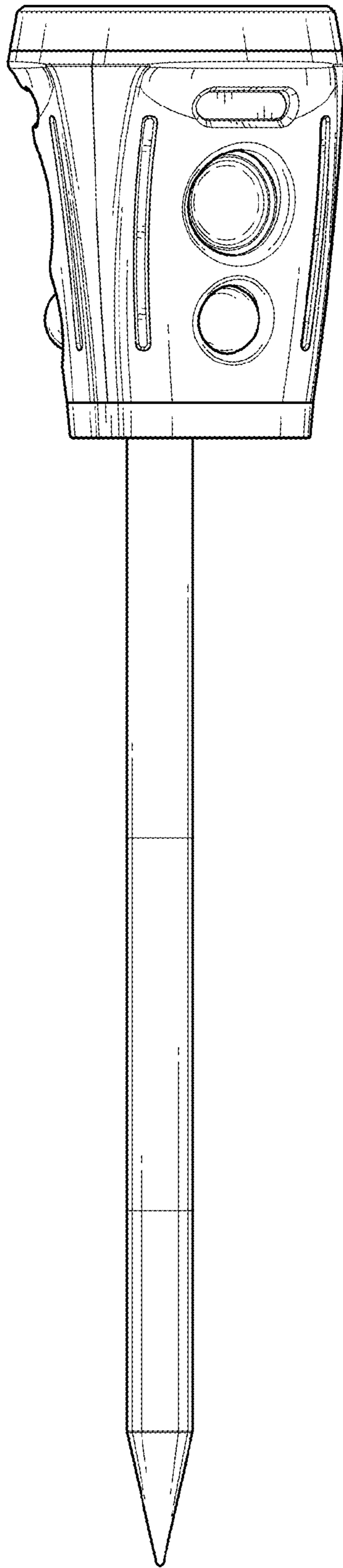


FIG. 5

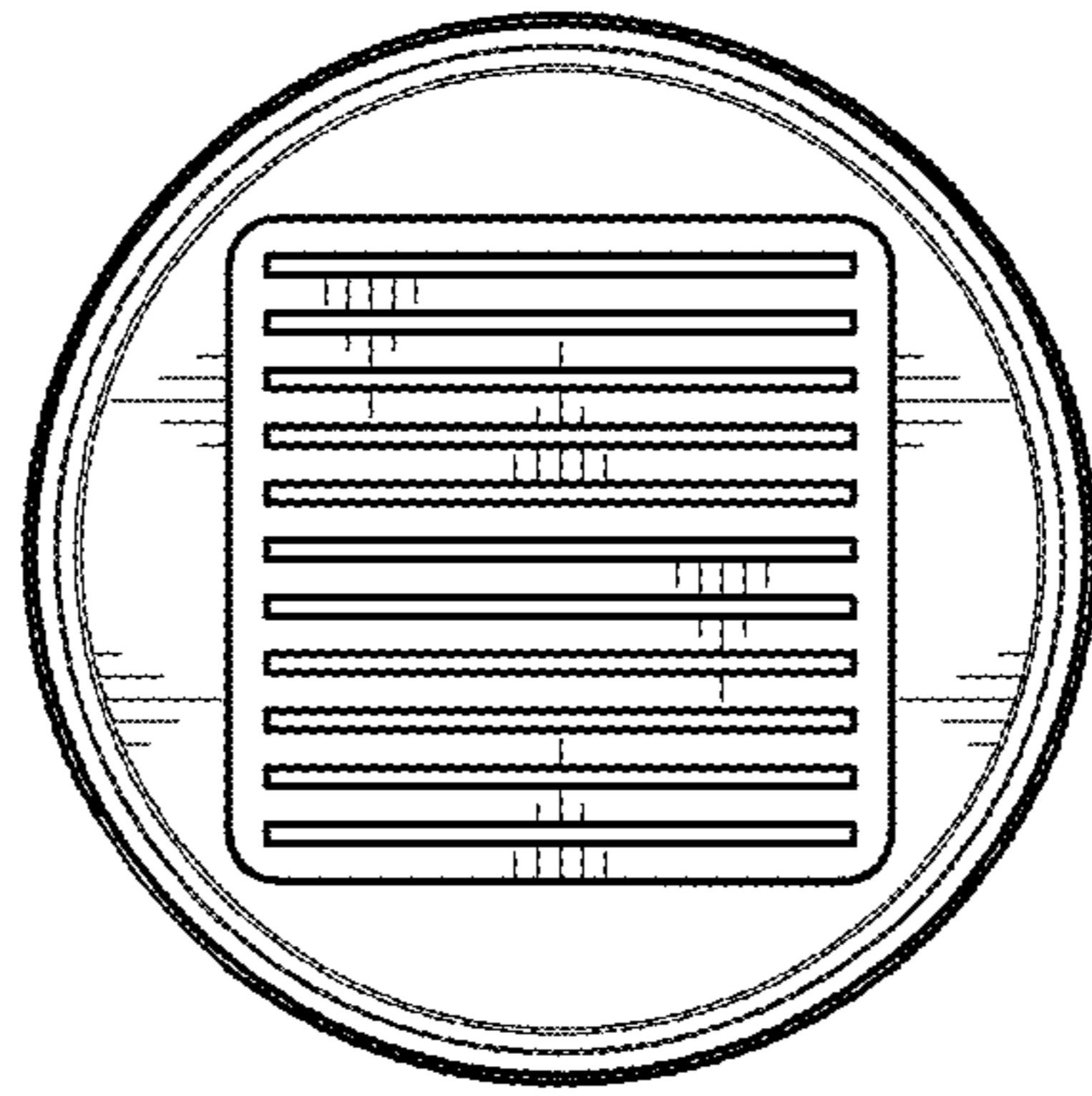


FIG. 6

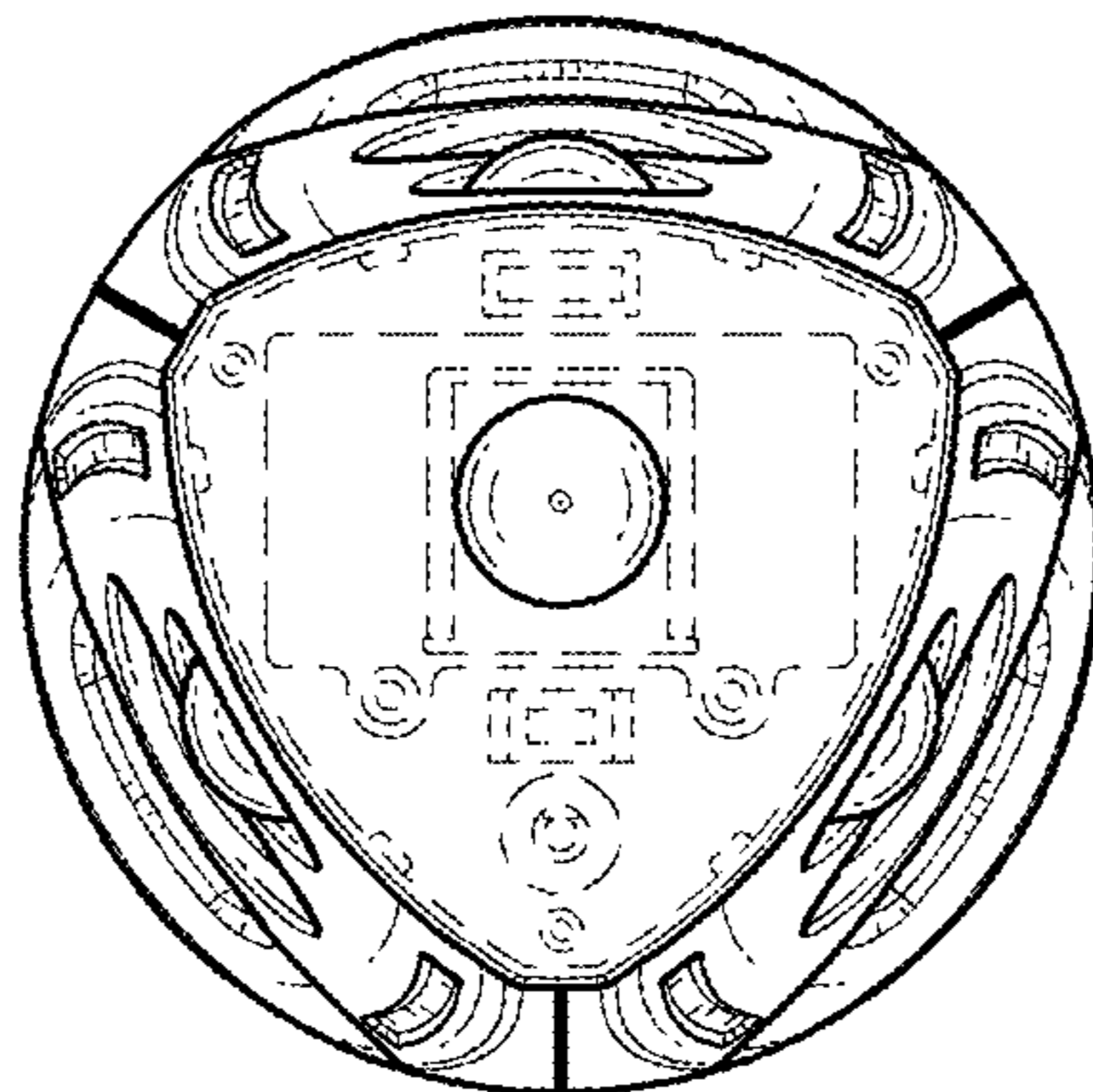


FIG. 7