



US00D985487S

(12) **United States Design Patent**
Almy et al.

(10) **Patent No.:** **US D985,487 S**

(45) **Date of Patent:** **** May 9, 2023**

(54) **TRACKER MOTOR SUPPORT FOR TRUSS FOUNDATIONS**

* cited by examiner

(71) Applicant: **Ojjo, Inc.**, San Rafael, CA (US)

Primary Examiner — Ania Aman

(74) *Attorney, Agent, or Firm* — Phillip D. Mancini

(72) Inventors: **Charles Almy**, Berkeley, CA (US);
Katie Pesce, El Cerrito, CA (US)

(73) Assignee: **Ojjo, Inc.**, San Rafael, CA (US)

(57) **CLAIM**

(**) Term: **15 Years**

We claim, the ornamental design for a tracker motor support for truss foundations, substantially as shown and described.

(21) Appl. No.: **29/733,807**

(22) Filed: **May 6, 2020**

DESCRIPTION

(51) **LOC (14) Cl.** **13-02**

(52) **U.S. Cl.**
USPC **D13/102**

(58) **Field of Classification Search**
USPC D15/5, 3, 10, 28; D13/102
CPC B62D 55/08; F16C 29/02; E02F 3/308
See application file for complete search history.

FIG. 1 is a top right perspective view of a tracker motor support for truss foundations showing the claimed design; FIG. 2 is a bottom rear perspective view thereof; FIG. 3 is a front view thereof; FIG. 4 is a rear view thereof; FIG. 5 is a left side view thereof; FIG. 6 is a right side view thereof; FIG. 7 is a top view thereof; and, FIG. 8 is a bottom view thereof.

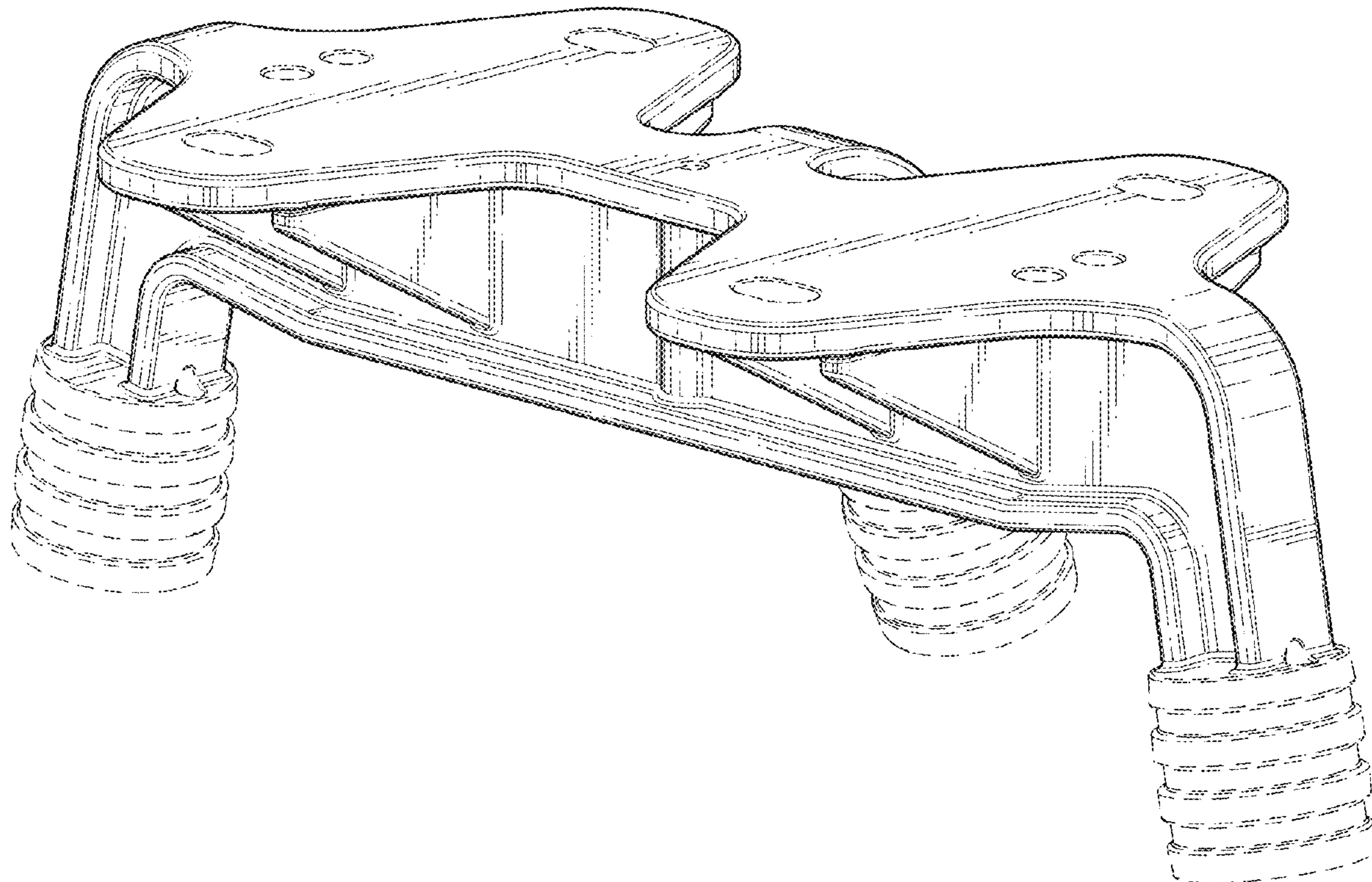
The dashed lines in the figures show portions of the tracker motor support for truss foundations that form no part of the claimed design.

(56) **References Cited**

U.S. PATENT DOCUMENTS

D932,997 S *	10/2021	McPheeters	D13/102
D932,998 S *	10/2021	McPheeters	D13/102
2021/0124007 A1 *	4/2021	Pesce	F24S 30/425
2021/0257964 A1 *	8/2021	Hudson	F24S 25/13

1 Claim, 7 Drawing Sheets



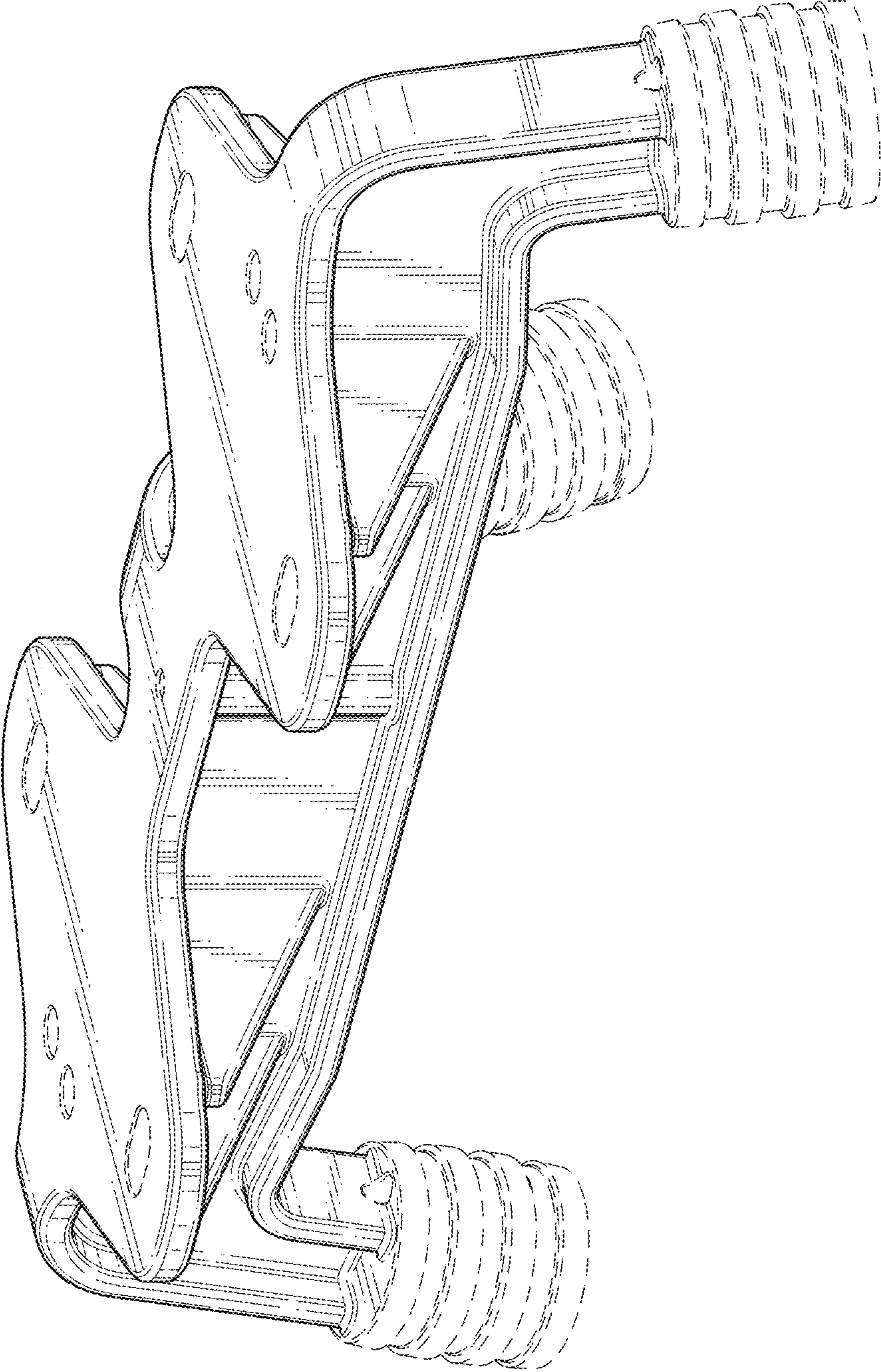


FIG. 1

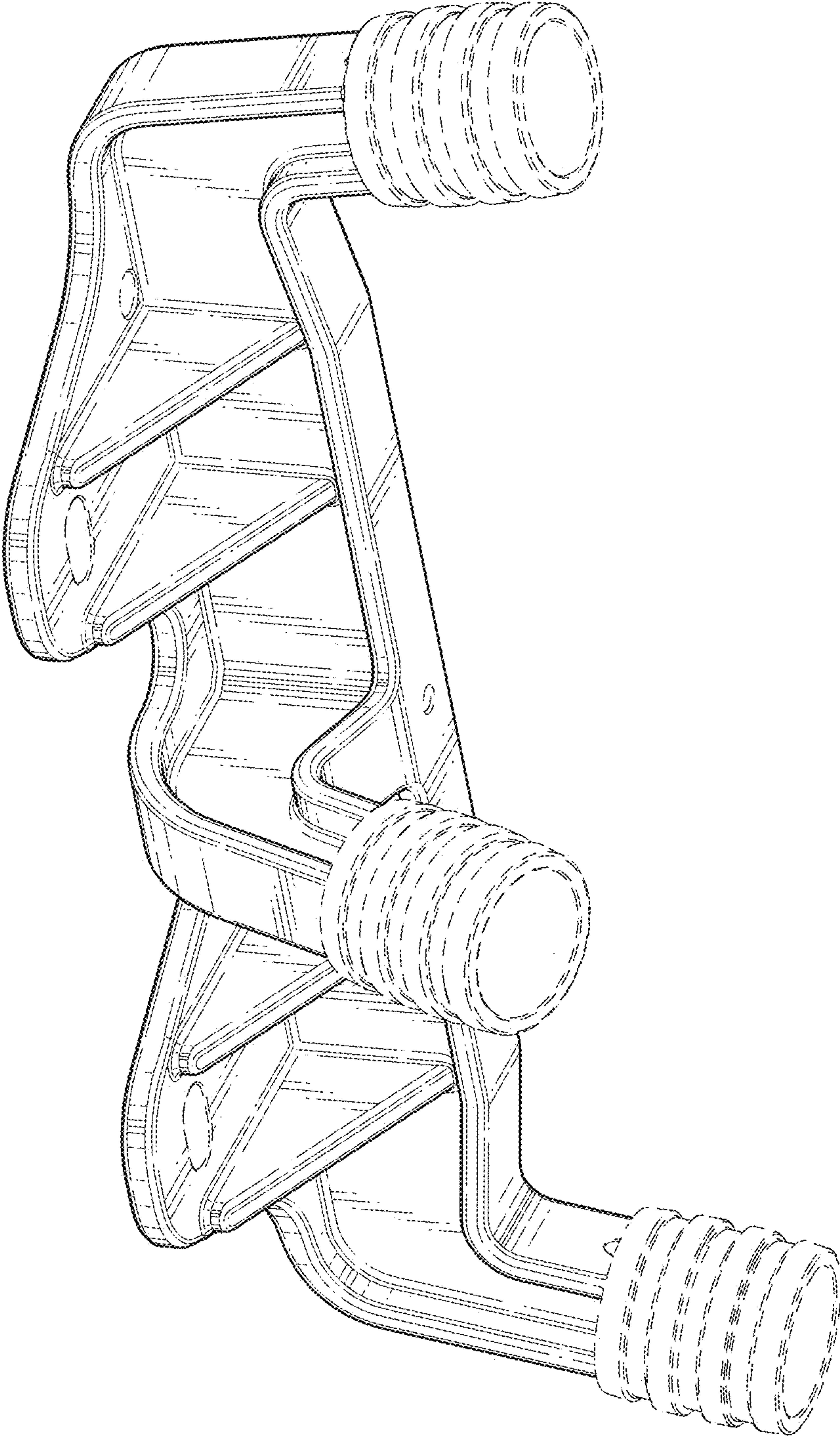


FIG. 2

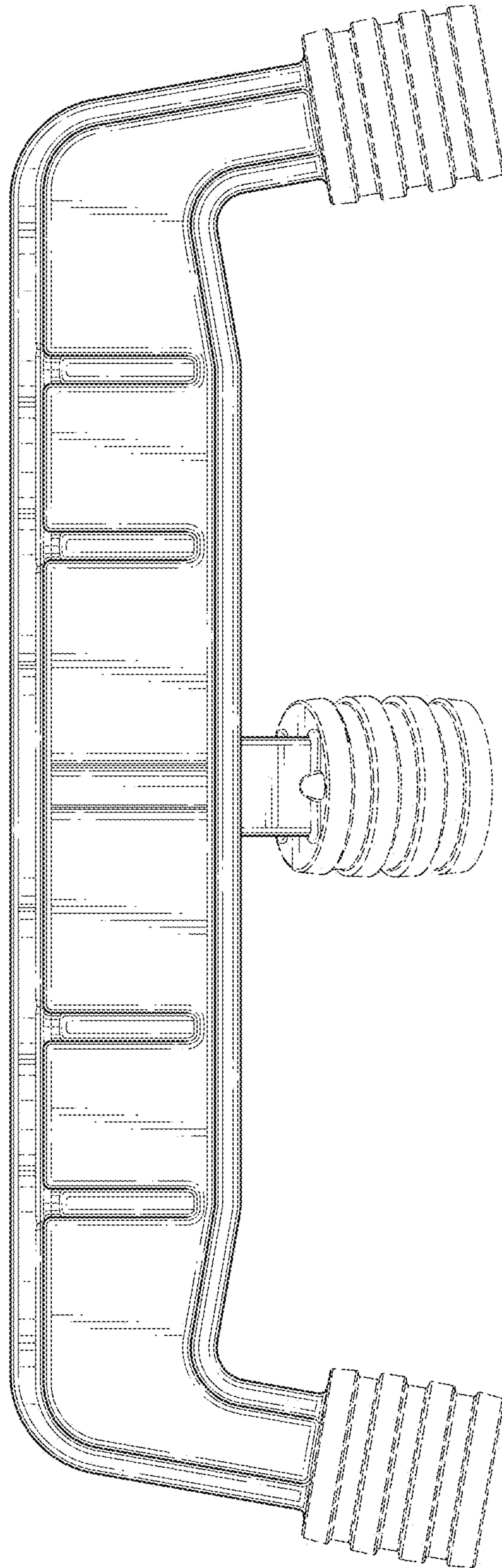


FIG. 3

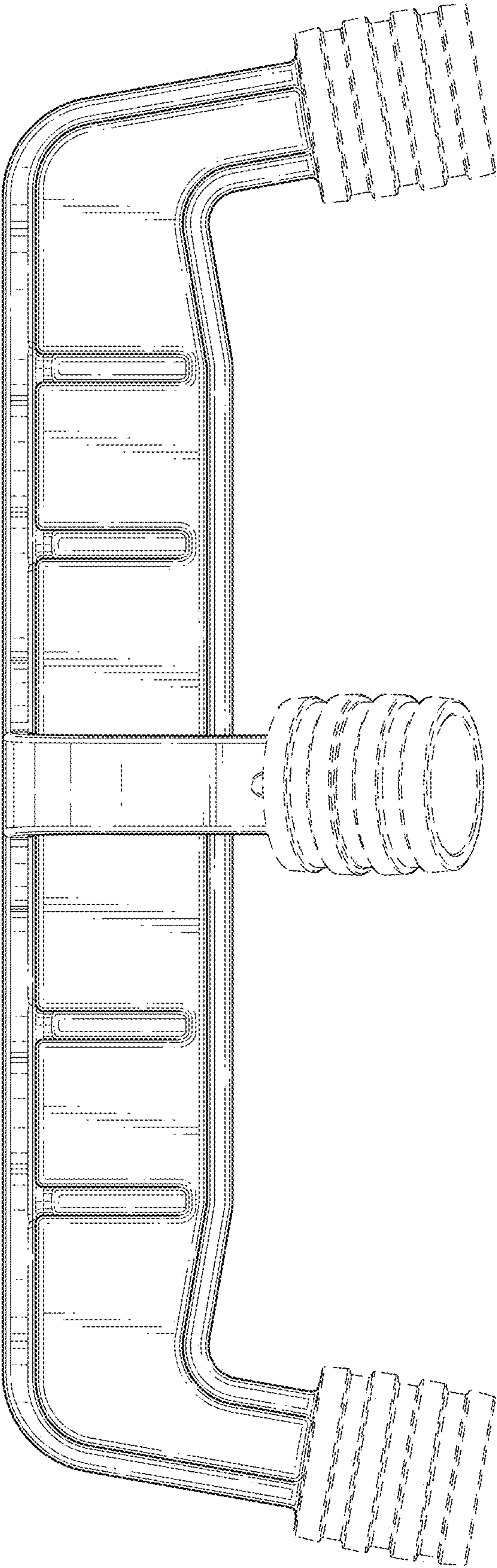


FIG. 4

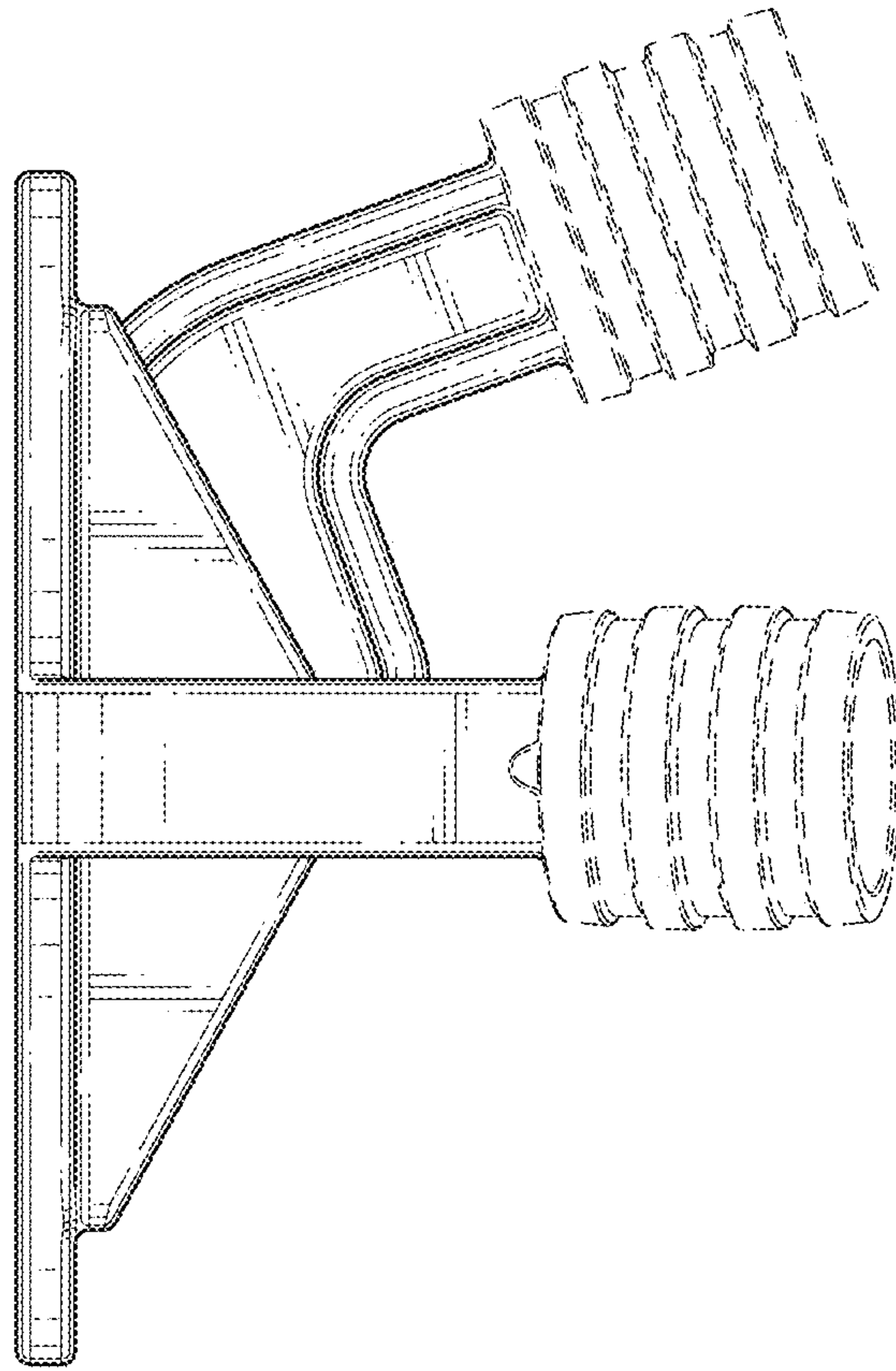


FIG. 5

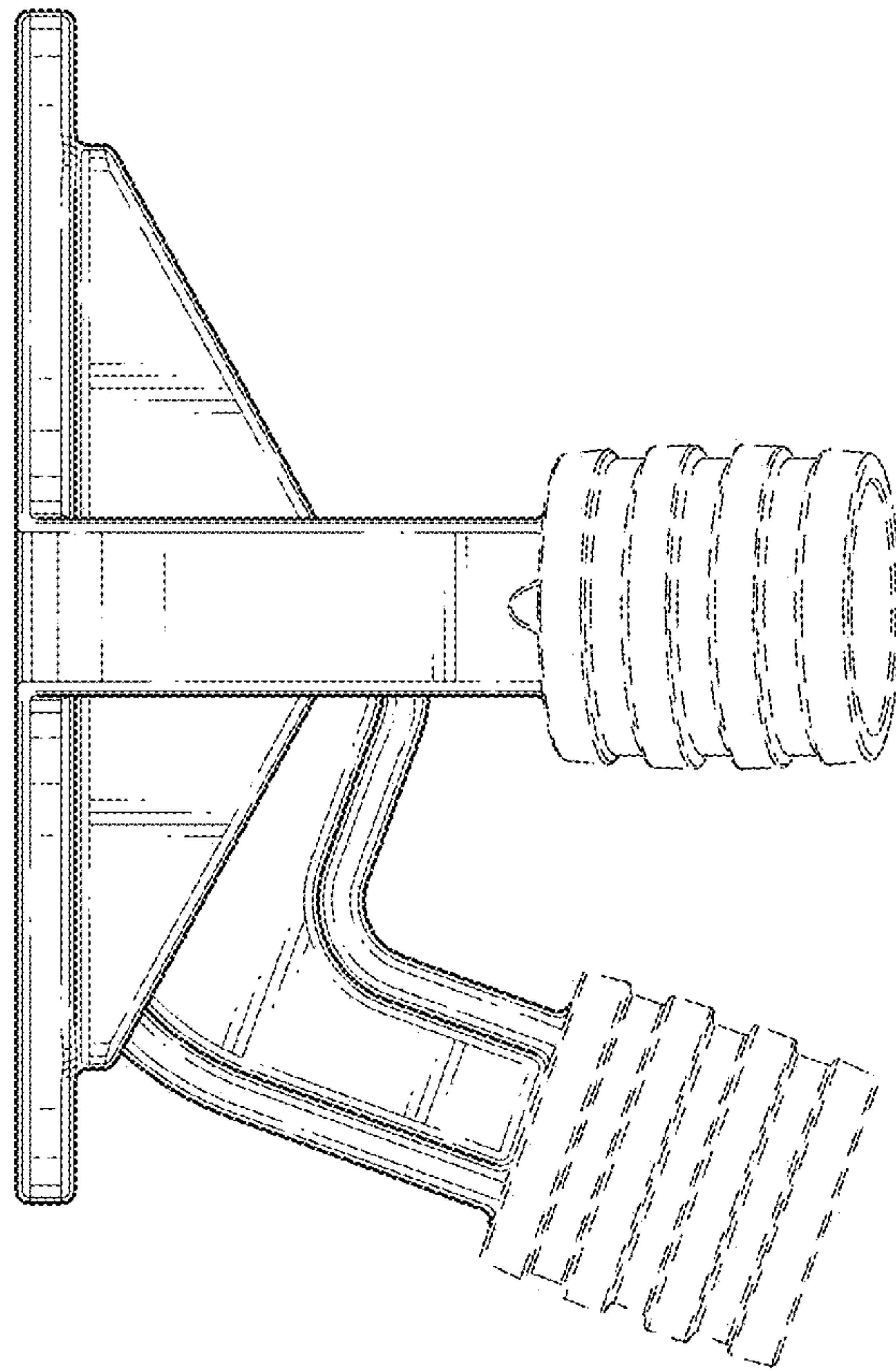


FIG. 6

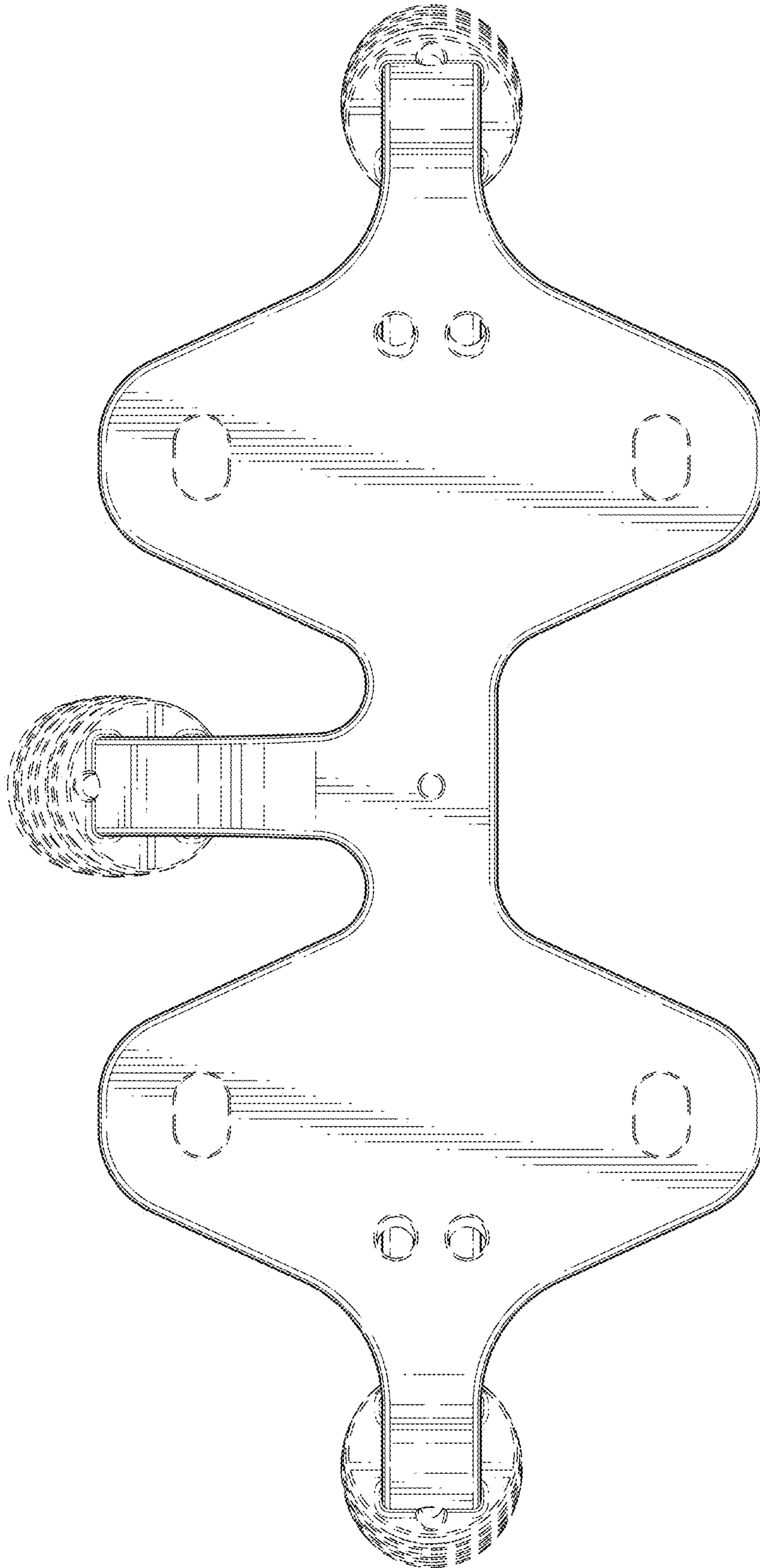


FIG. 7

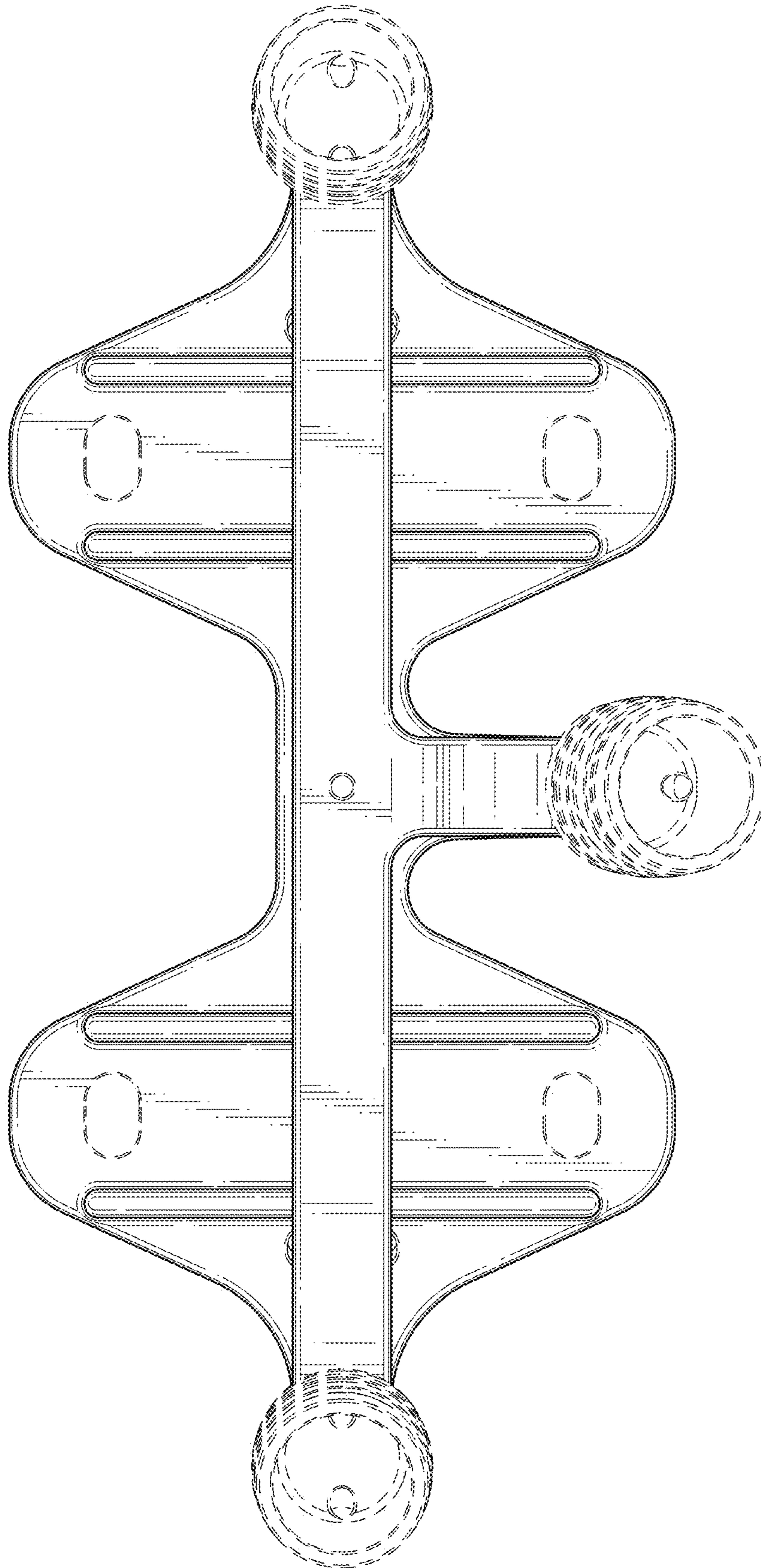


FIG. 8