



US00D985482S

(12) **United States Design Patent** (10) **Patent No.:** **US D985,482 S**
Meier (45) **Date of Patent:** **** May 9, 2023**

(54) **VEHICLE TIRE**

(56) **References Cited**

(71) Applicant: **CONTINENTAL REIFEN DEUTSCHLAND GMBH**, Hannover (DE)

U.S. PATENT DOCUMENTS

(72) Inventor: **Nico Meier**, Hannover (DE)

D619,084 S	*	7/2010	Mathonet	D12/590
D667,781 S	*	9/2012	Georges	D12/588
D668,207 S	*	10/2012	Brown	D12/588
D761,723 S	*	7/2016	Kristen	D12/586
D769,796 S	*	10/2016	Gayton	D12/582
D816,020 S	*	4/2018	Umstot	D12/585
D821,297 S	*	6/2018	Le	D12/588
D875,657 S	*	2/2020	Hiser	D12/588
D908,600 S	*	1/2021	Reygobellet	D12/588
D947,109 S	*	3/2022	Meier	D12/588
D951,854 S	*	5/2022	Meier	D12/588
D960,819 S	*	8/2022	Meier	D12/588

(73) Assignee: **Continental Reifen Deutschland GmbH**, Hannover (DE)

(**) Term: **15 Years**

(21) Appl. No.: **35/513,330**

* cited by examiner

(22) Filed: **Oct. 21, 2021**

Primary Examiner — John A Voytek

(80) **Hague Agreement Data**

(74) *Attorney, Agent, or Firm* — Laurence A. Greenberg; Werner H. Stemer; Ralph E. Locher

Int. Filing Date: **Oct. 21, 2021**

Int. Reg. No.: **DM/218065**

Int. Reg. Date: **Oct. 21, 2021**

Int. Reg. Pub. Date: **Jan. 7, 2022**

(57) **CLAIM**

The ornamental design for a vehicle tire, as shown and described.

(30) **Foreign Application Priority Data**

DESCRIPTION

Oct. 14, 2021 (EM) 008725824-0001

(51) **LOC (14) Cl.** **12-15**

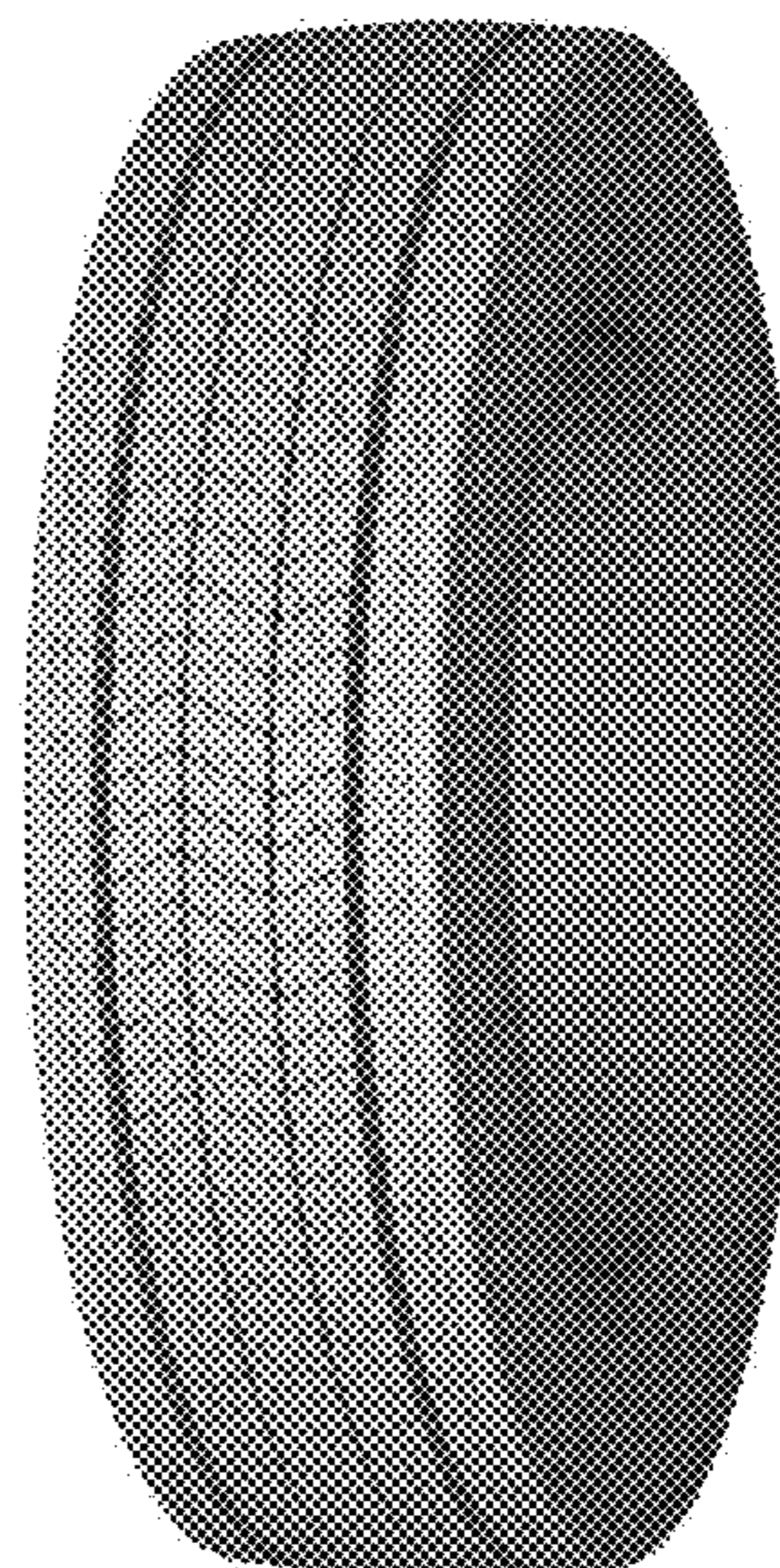
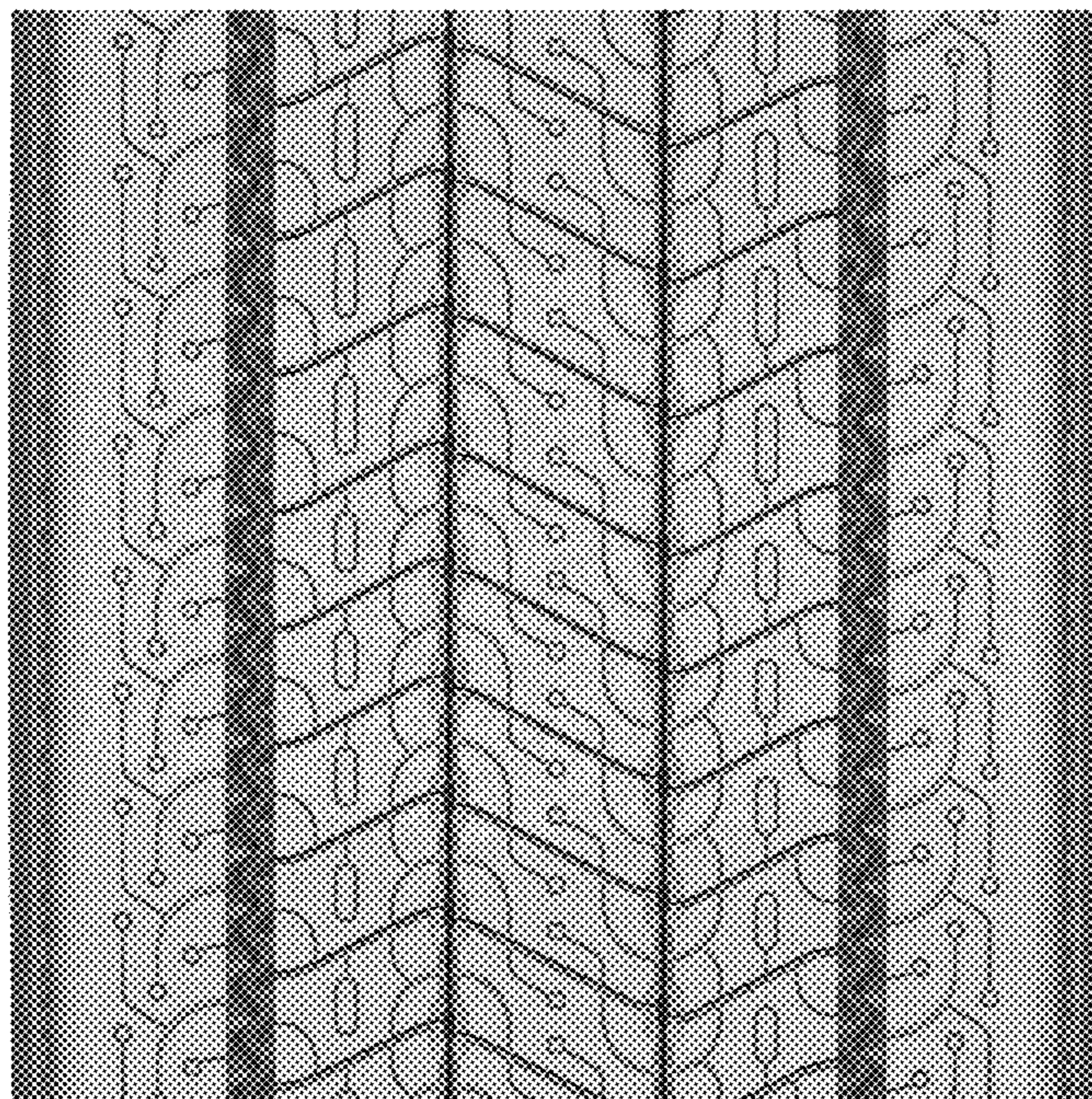
(52) **U.S. Cl.**
USPC **D12/588**

(58) **Field of Classification Search**
USPC D12/568-604, 900
CPC Y10T 152/10027; B60C 1/0016; B60C 11/0306; B60C 11/0302; B60C 3/06; B60C 9/17

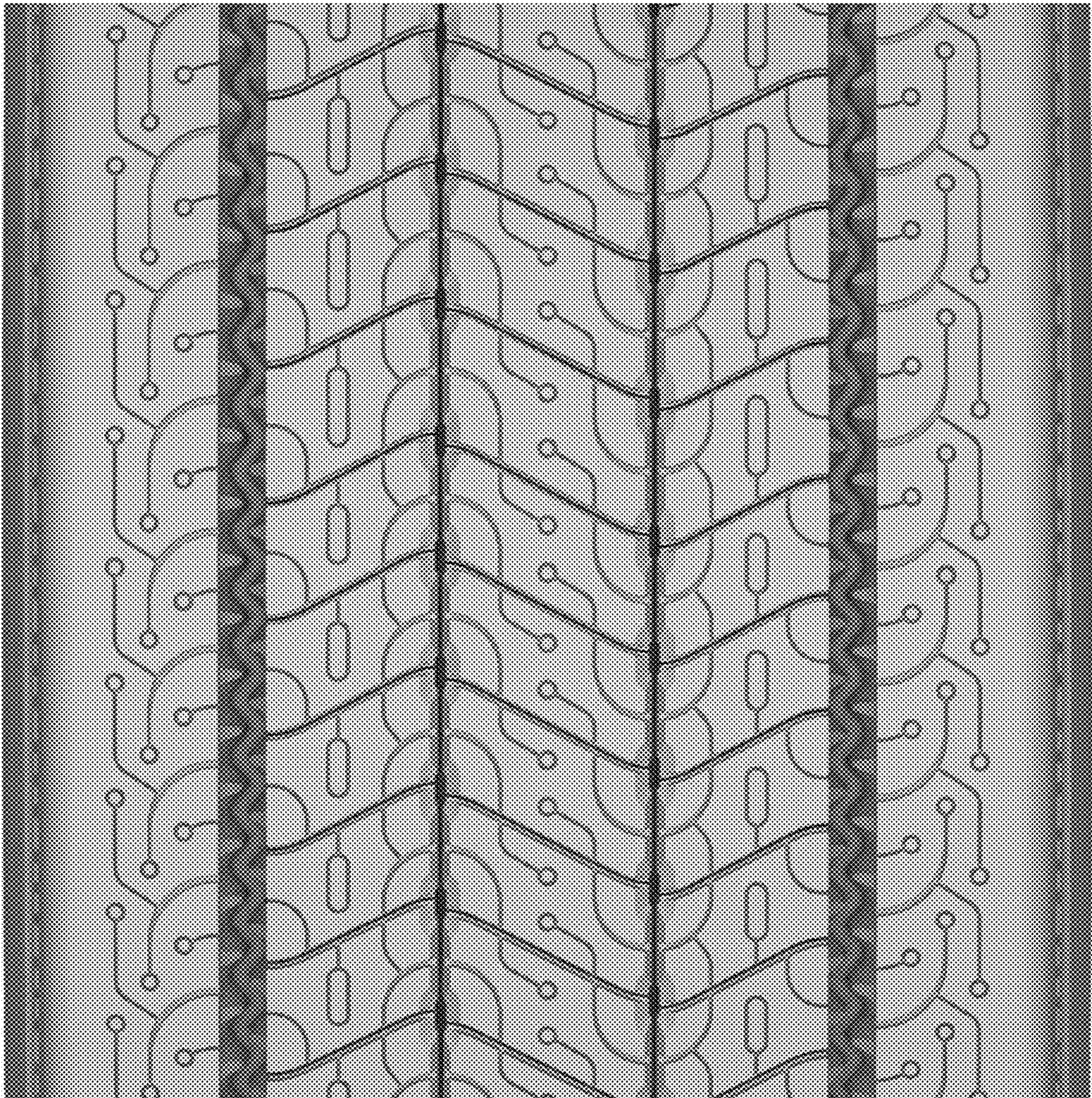
1. Vehicle tire
1.1 is an enlarged partial front view of the vehicle tire showing my new design;
1.2 is a front perspective view thereof;
1.3 is a left side elevation view thereof;
1.4 is a right side elevation view thereof;
1.5 is a front elevation view thereof; and
1.6 is a top elevation view thereof.
The dashed-dot broken lines in figure 1.5 is a demarcation of the portion of the design visible in the enlarged partial front view of 1.1 and forms no part of the claimed design.

See application file for complete search history.

1 Claim, 6 Drawing Sheets



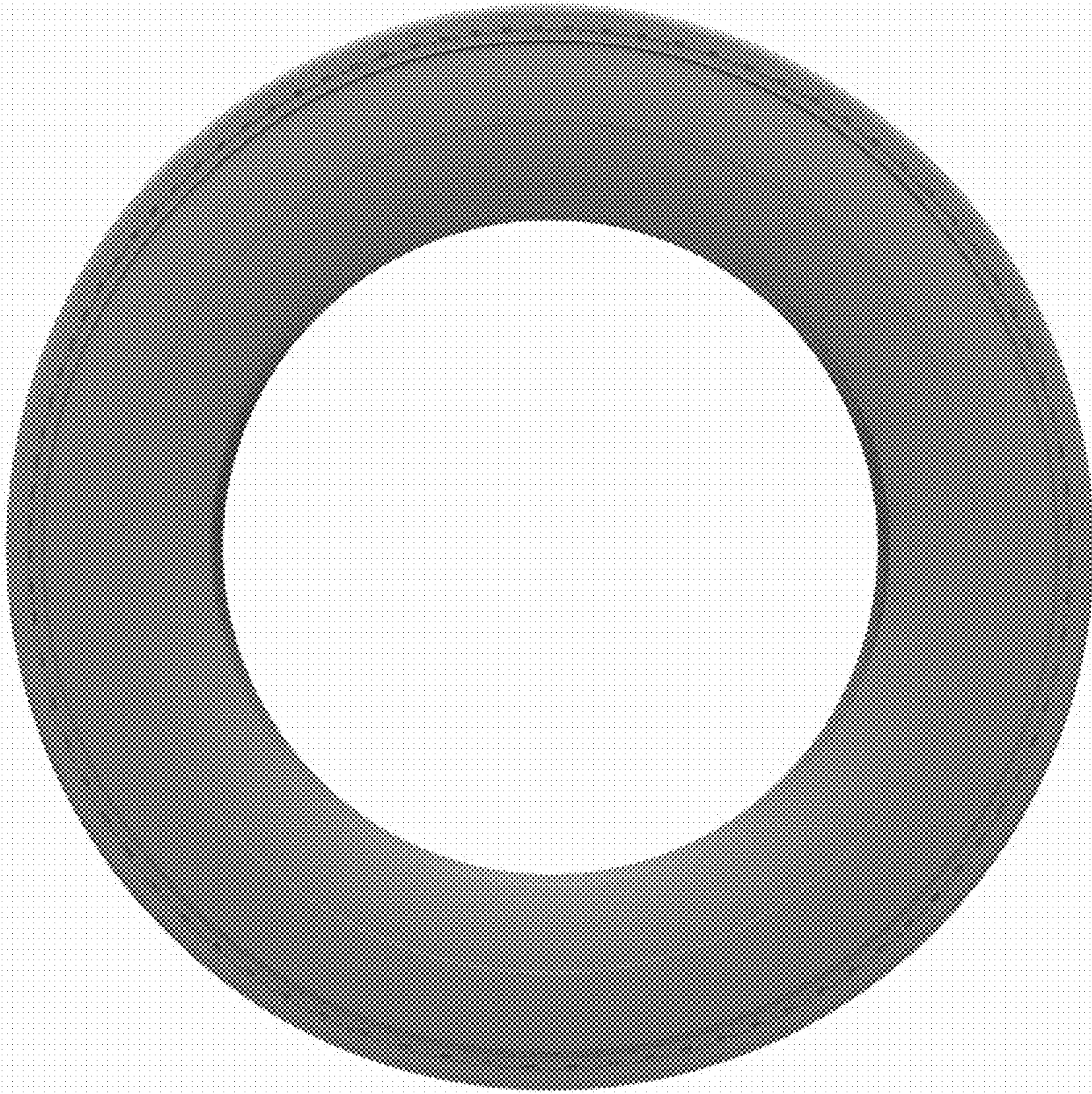
1.1



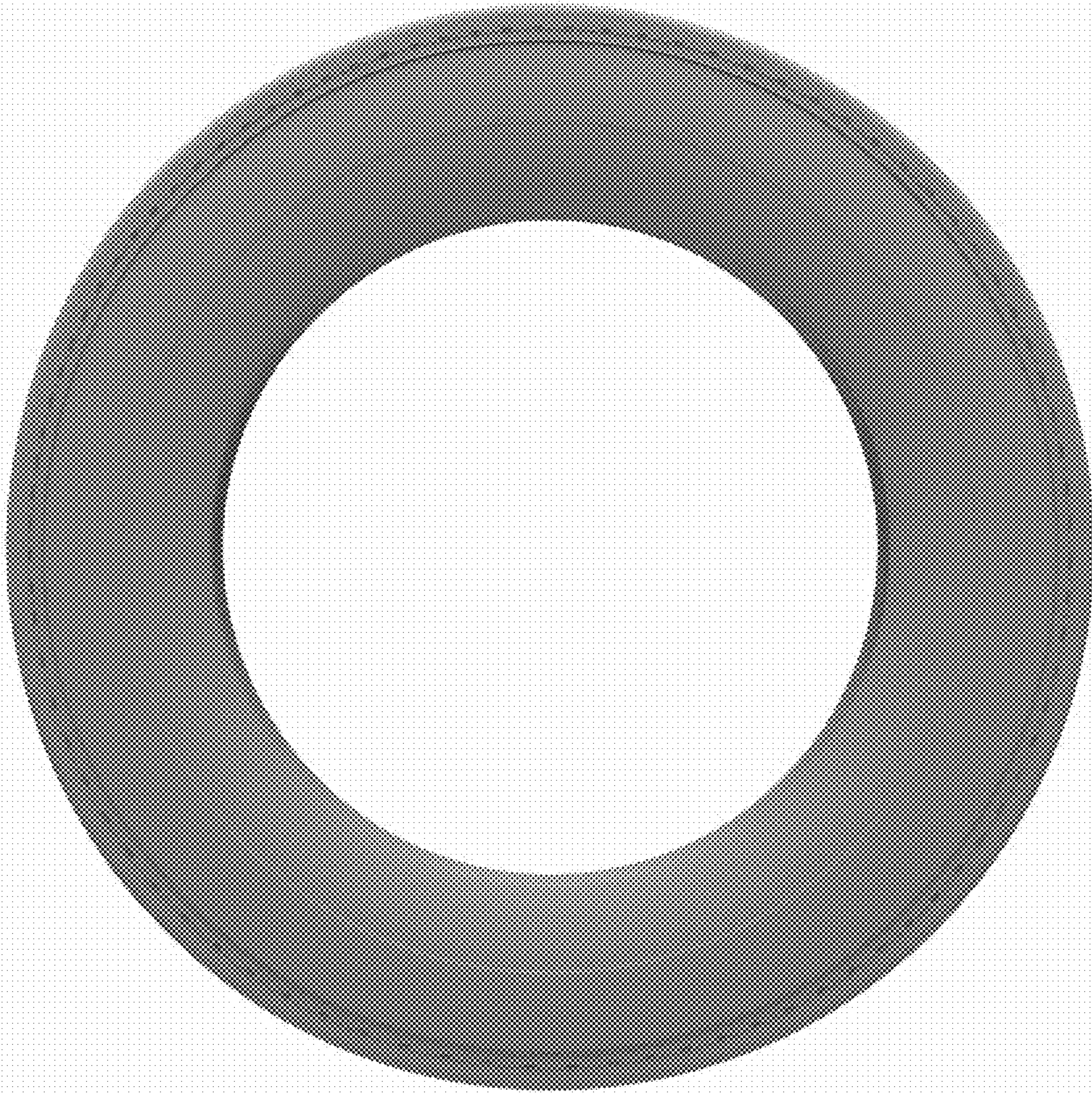
1.2



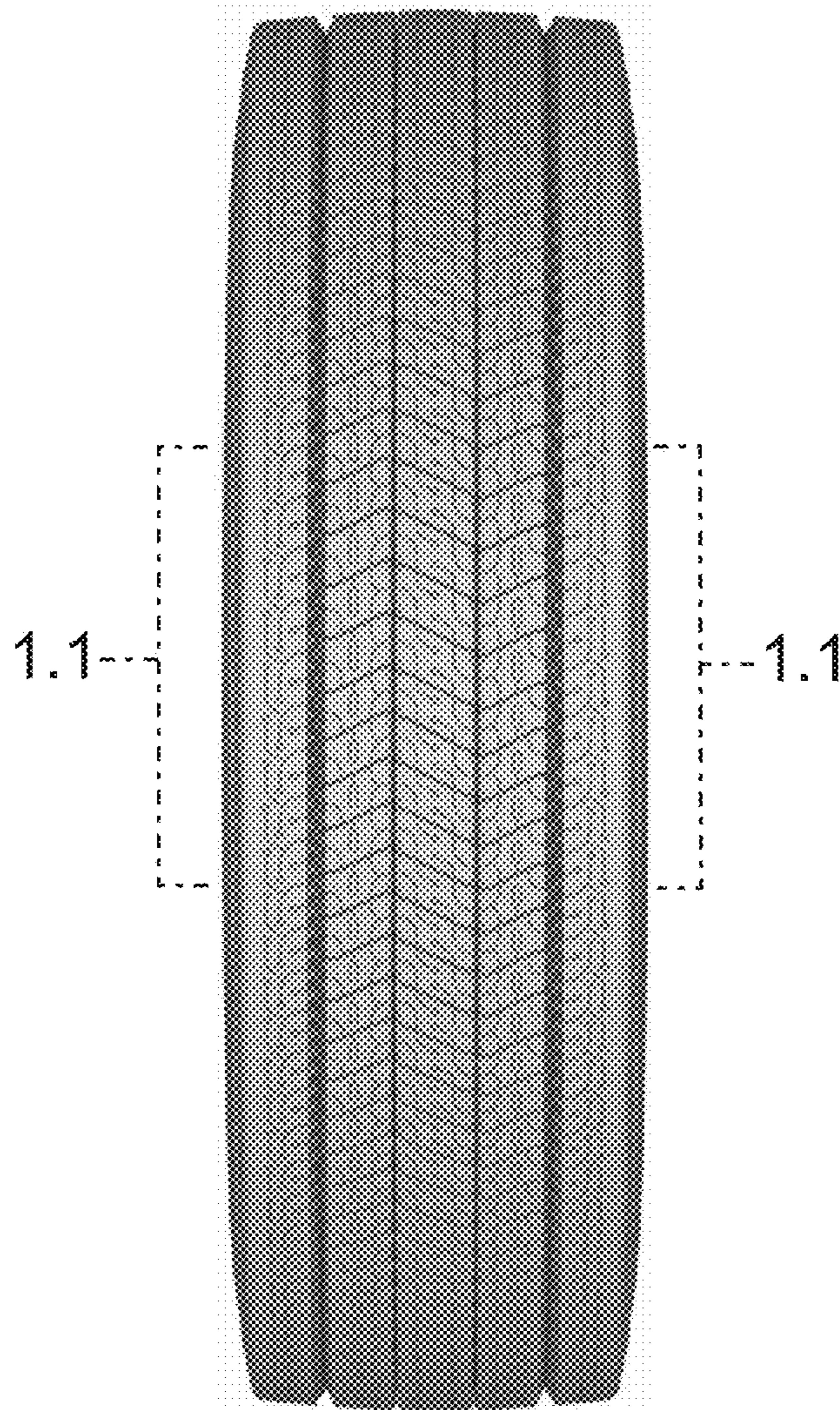
1.3



1.4



1.5



1.6

