



US00D985475S

(12) **United States Design Patent**
Miyazaki

(10) **Patent No.:** **US D985,475 S**

(45) **Date of Patent:** **** *May 9, 2023**

(54) **TIRE**

(71) Applicant: **Toyo Tire Corporation**, Itami (JP)

(72) Inventor: **Tetsuji Miyazaki**, Itami (JP)

(73) Assignee: **Toyo Tire Corporation**, Itami (JP)

(*) Notice: This patent is subject to a terminal disclaimer.

(**) Term: **15 Years**

(21) Appl. No.: **29/800,001**

(22) Filed: **Jul. 19, 2021**

(30) **Foreign Application Priority Data**

Jan. 29, 2021 (JP) 2021-002071 D

(51) **LOC (14) Cl.** **12-15**

(52) **U.S. Cl.**
USPC **D12/531**

(58) **Field of Classification Search**
USPC D12/500-532, 604, 900
CPC Y10T 152/10027; B60C 1/0016; B60C 11/0306; B60C 11/0302; B60C 3/06; B60C 9/17

See application file for complete search history.

(56) **References Cited**

U.S. PATENT DOCUMENTS

D561,683 S *	2/2008	Kiwaki	D12/519
D597,474 S *	8/2009	Yamakawa	D12/519
D599,276 S *	9/2009	Fontaine	D12/519
D630,998 S *	1/2011	Schmalix	D12/519
D733,635 S *	7/2015	Digman	D12/521
D790,440 S *	6/2017	Schoeppner	D12/521

D805,461 S *	12/2017	Majerus	D12/523
D830,956 S *	10/2018	Mishima	D12/519
D870,021 S *	12/2019	Mishima	D12/521
D883,185 S	5/2020	Grauel et al.		
D900,009 S *	10/2020	Fatima	D12/521
D949,776 S *	4/2022	Miyazaki	D12/531

FOREIGN PATENT DOCUMENTS

JP	1417021 S	6/2011
JP	1514978 S	1/2015

* cited by examiner

Primary Examiner — John A Voytek

(74) *Attorney, Agent, or Firm* — Sterne, Kessler, Goldstein & Fox P.L.L.C.

(57) **CLAIM**

The ornamental design for a tire, as shown and described.

DESCRIPTION

FIG. 1 is a front perspective view of a tire showing the claimed design;

FIG. 2 is a front view thereof;

FIG. 3 is a rear view thereof;

FIG. 4 is a top plan view thereof;

FIG. 5 is a bottom plan view thereof;

FIG. 6 is a right side view thereof;

FIG. 7 is a left side view thereof;

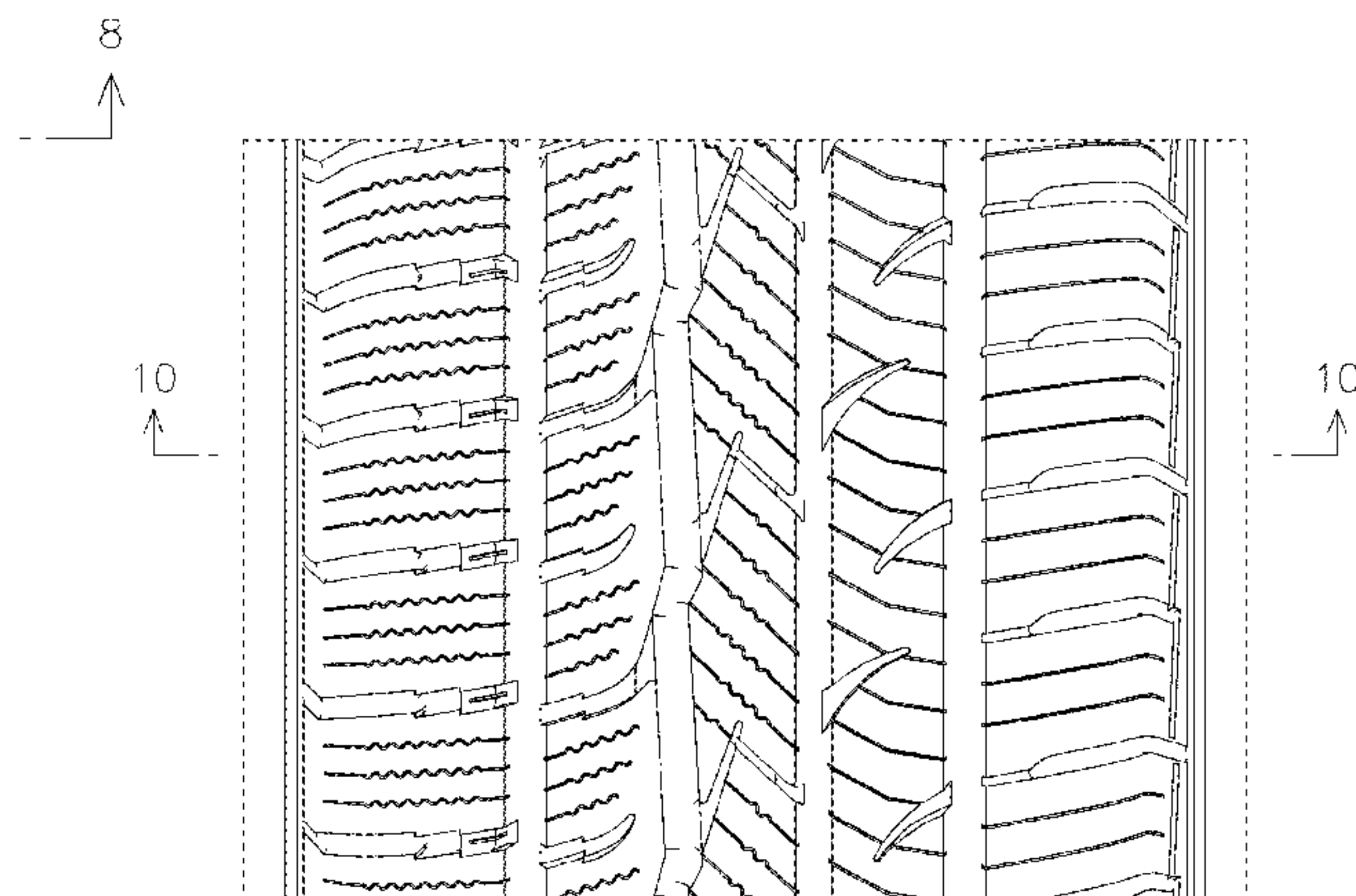
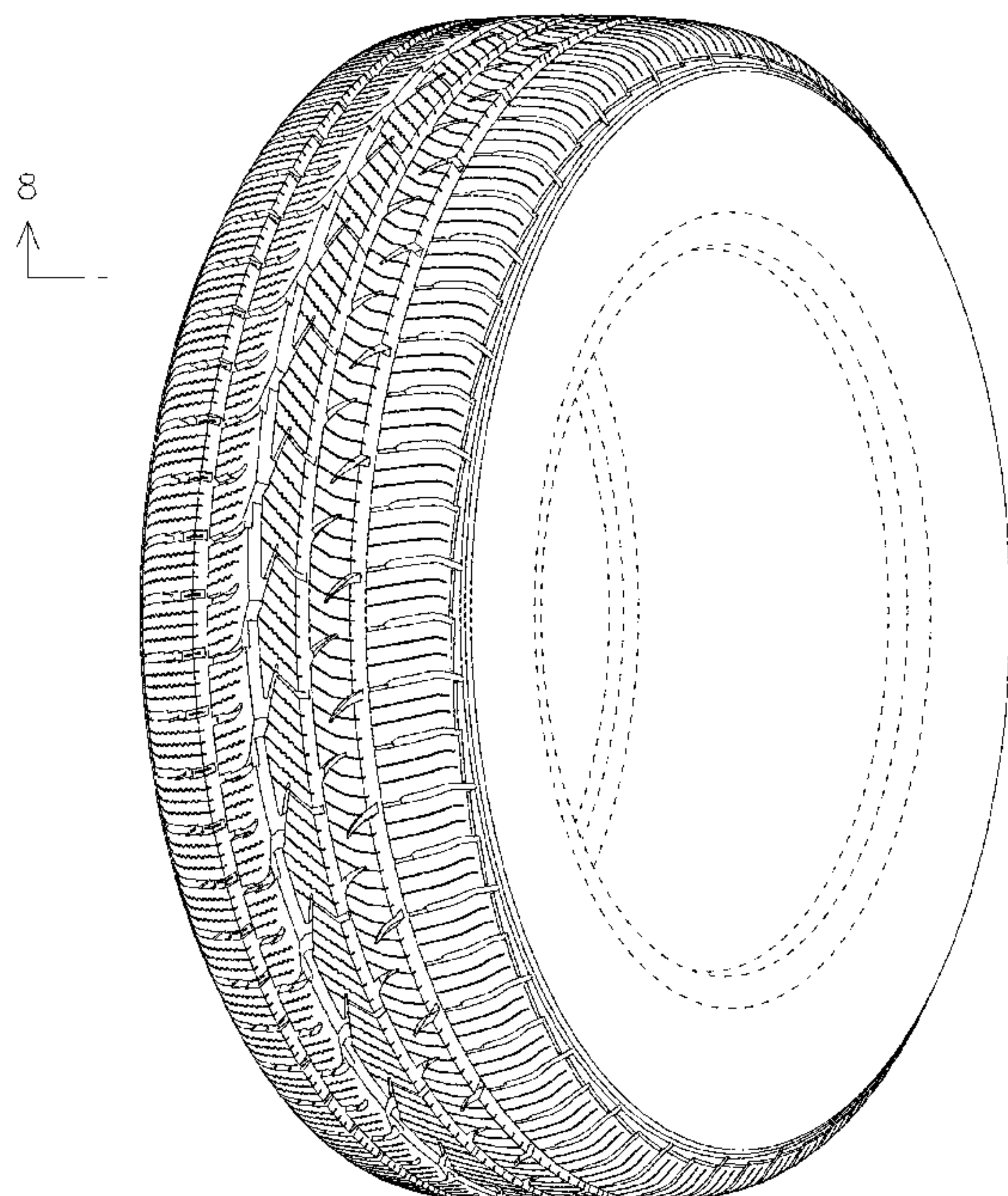
FIG. 8 is an enlarged view taken along line 8-8 in FIG. 1;

FIG. 9 is an enlarged view of the portion 9-9 in FIG. 2; and,

FIG. 10 is a cross-sectional view taken along line 10-10 in FIG. 9.

In the drawings, the broken lines show portions of the tire that form no part of the claimed design.

1 Claim, 10 Drawing Sheets



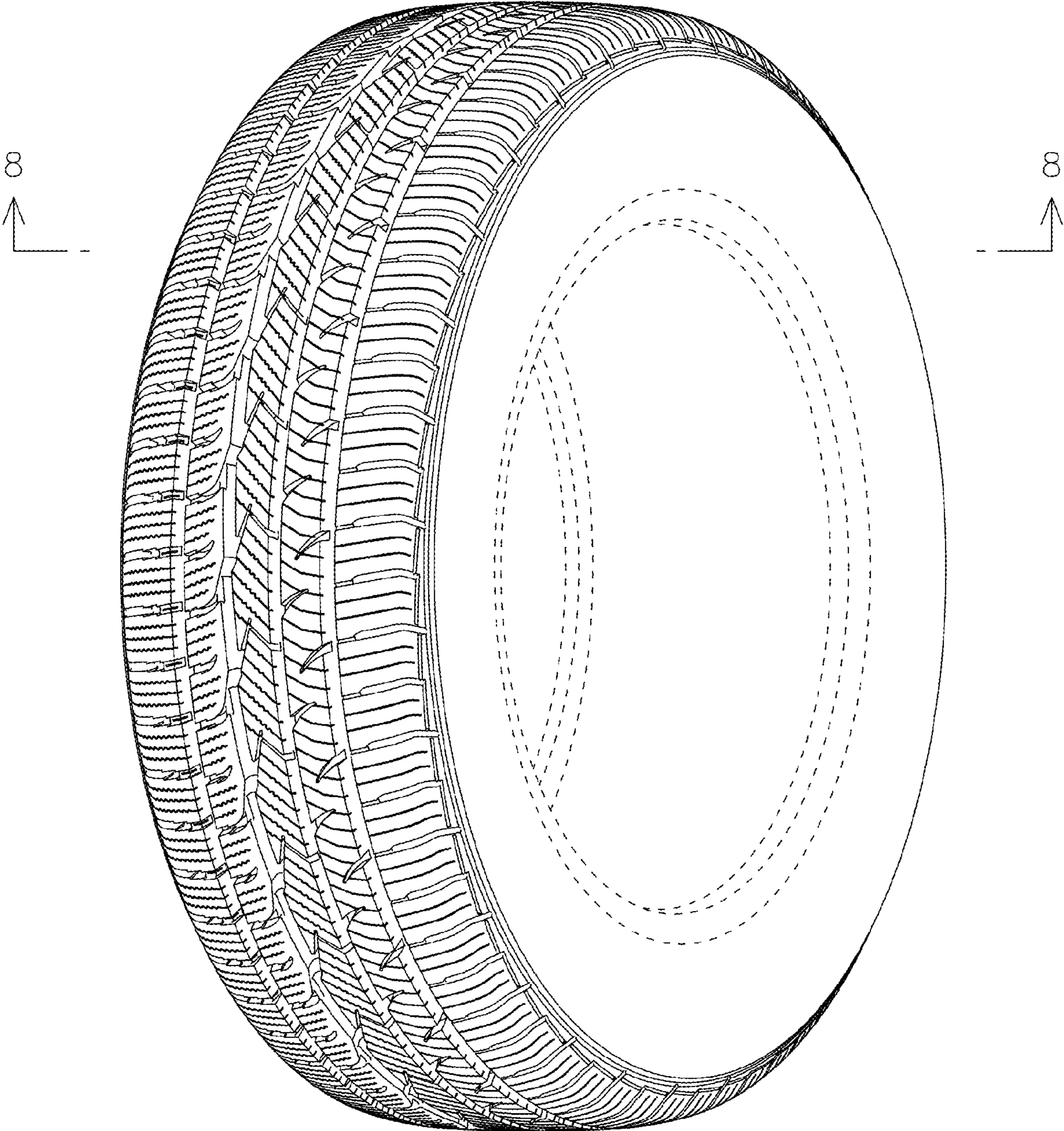


FIG. 1

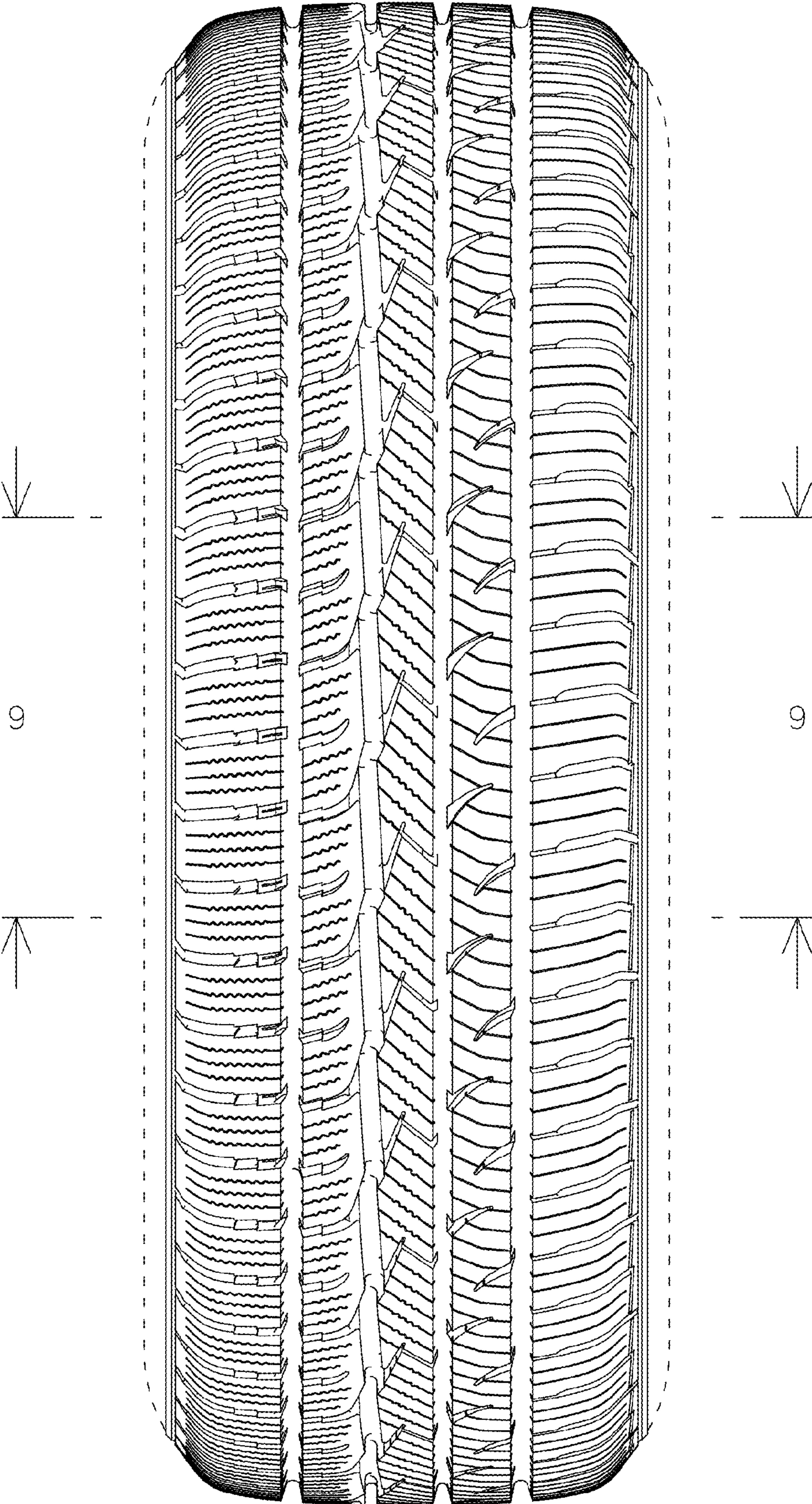


FIG. 2

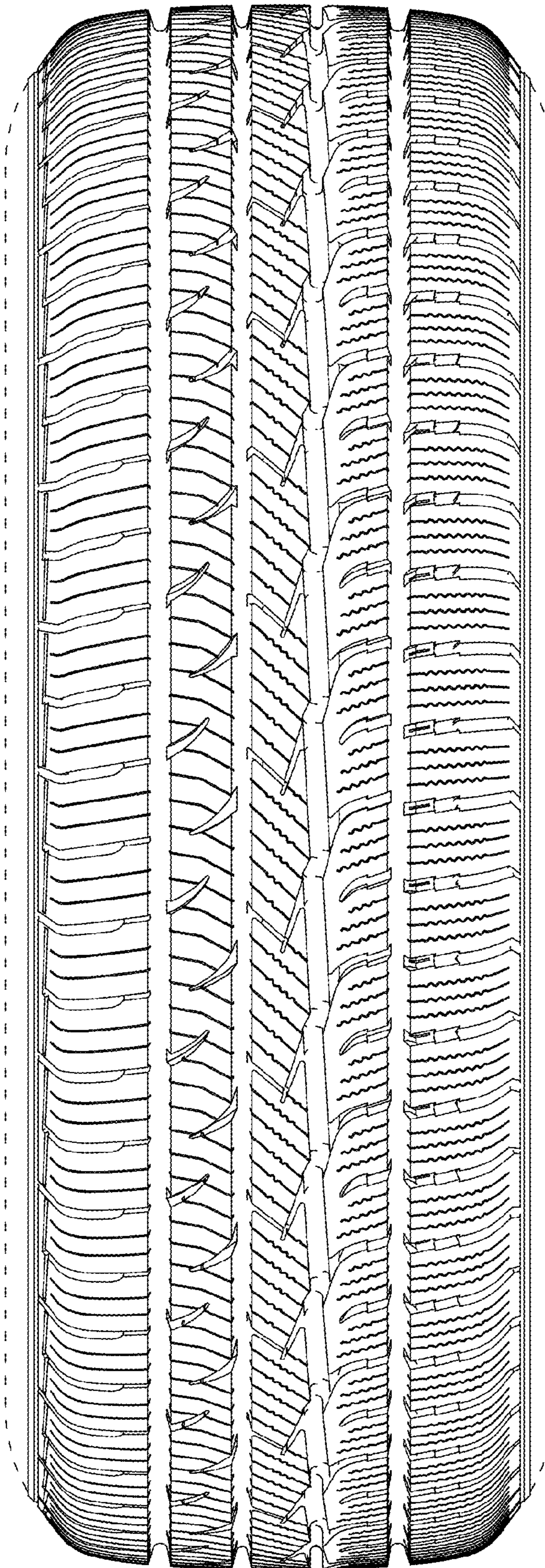


FIG. 3

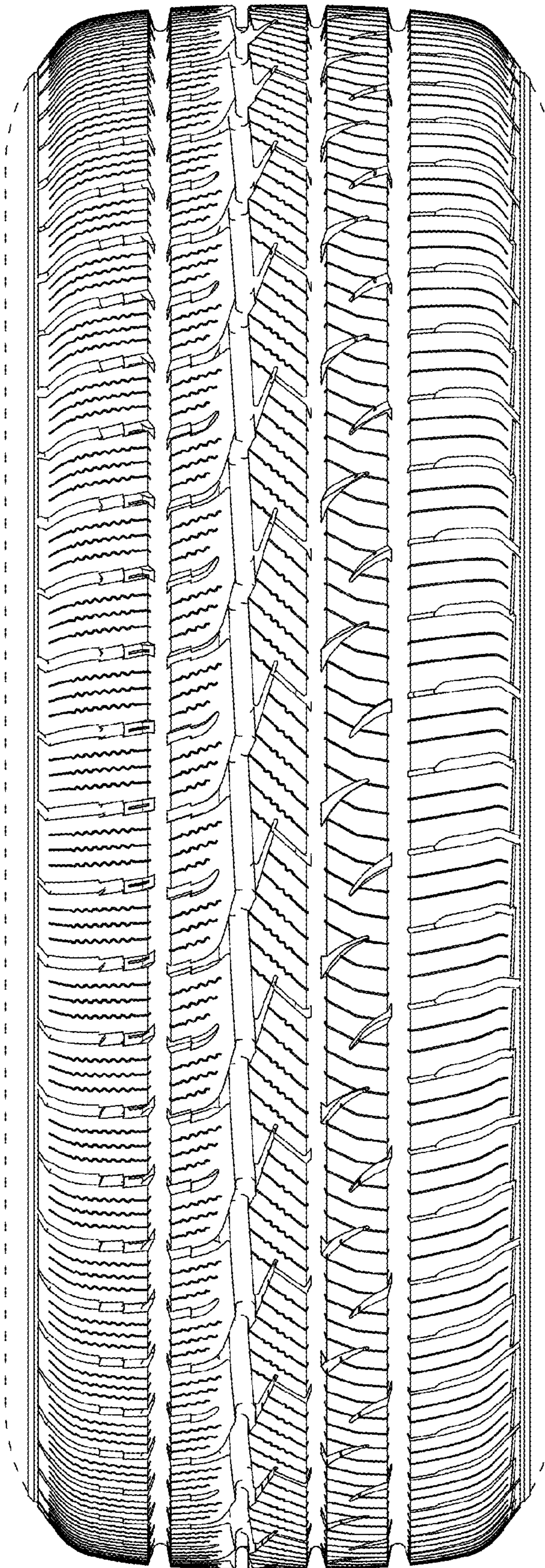


FIG. 4

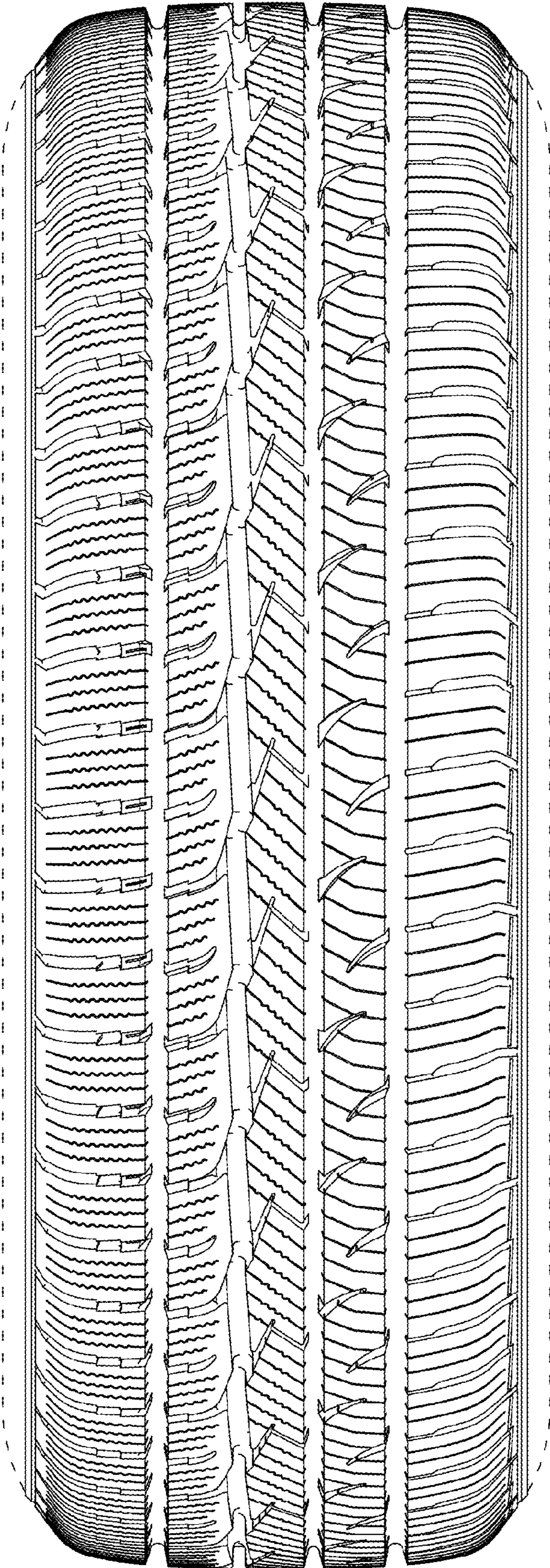


FIG. 5

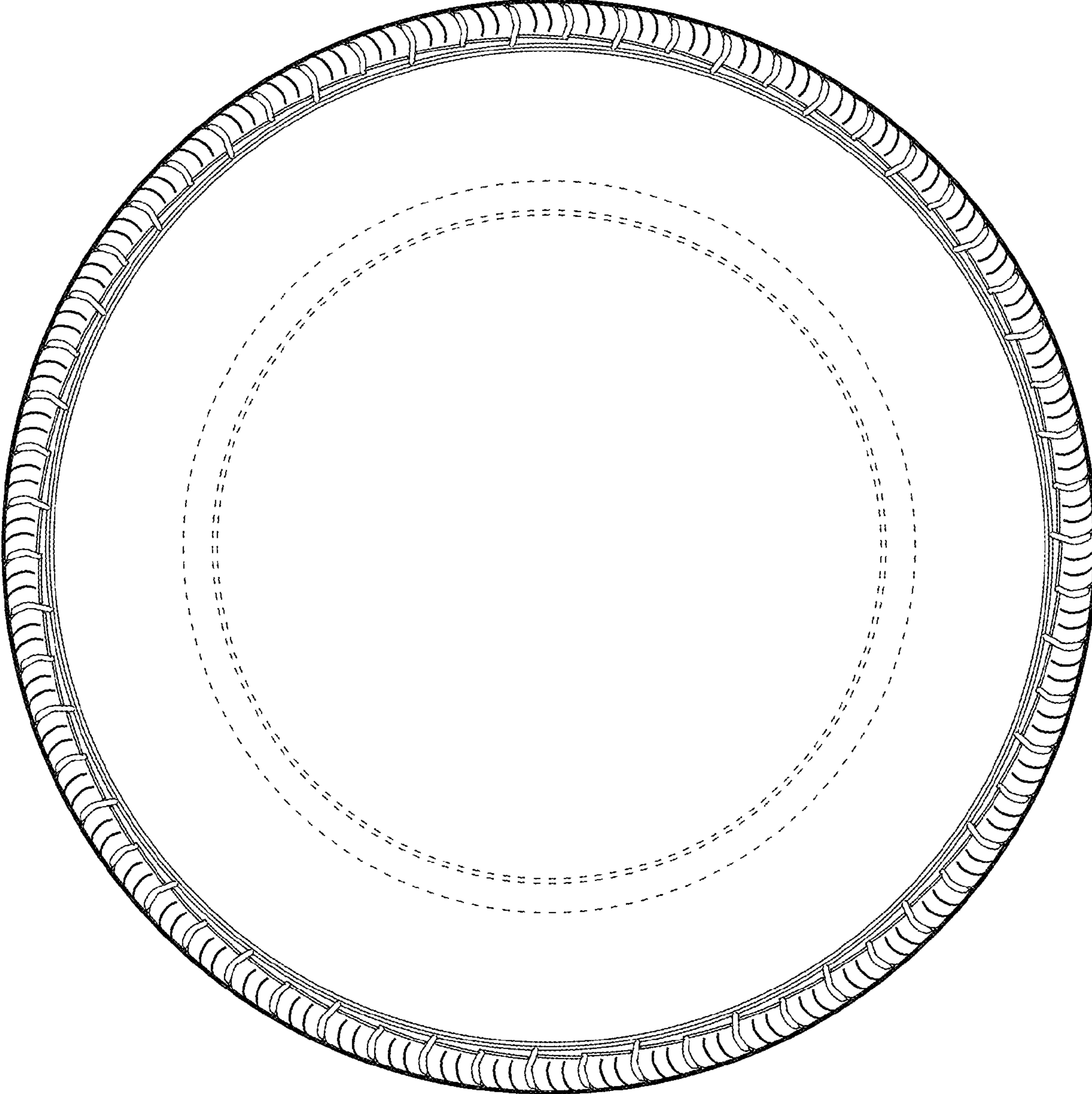


FIG. 6

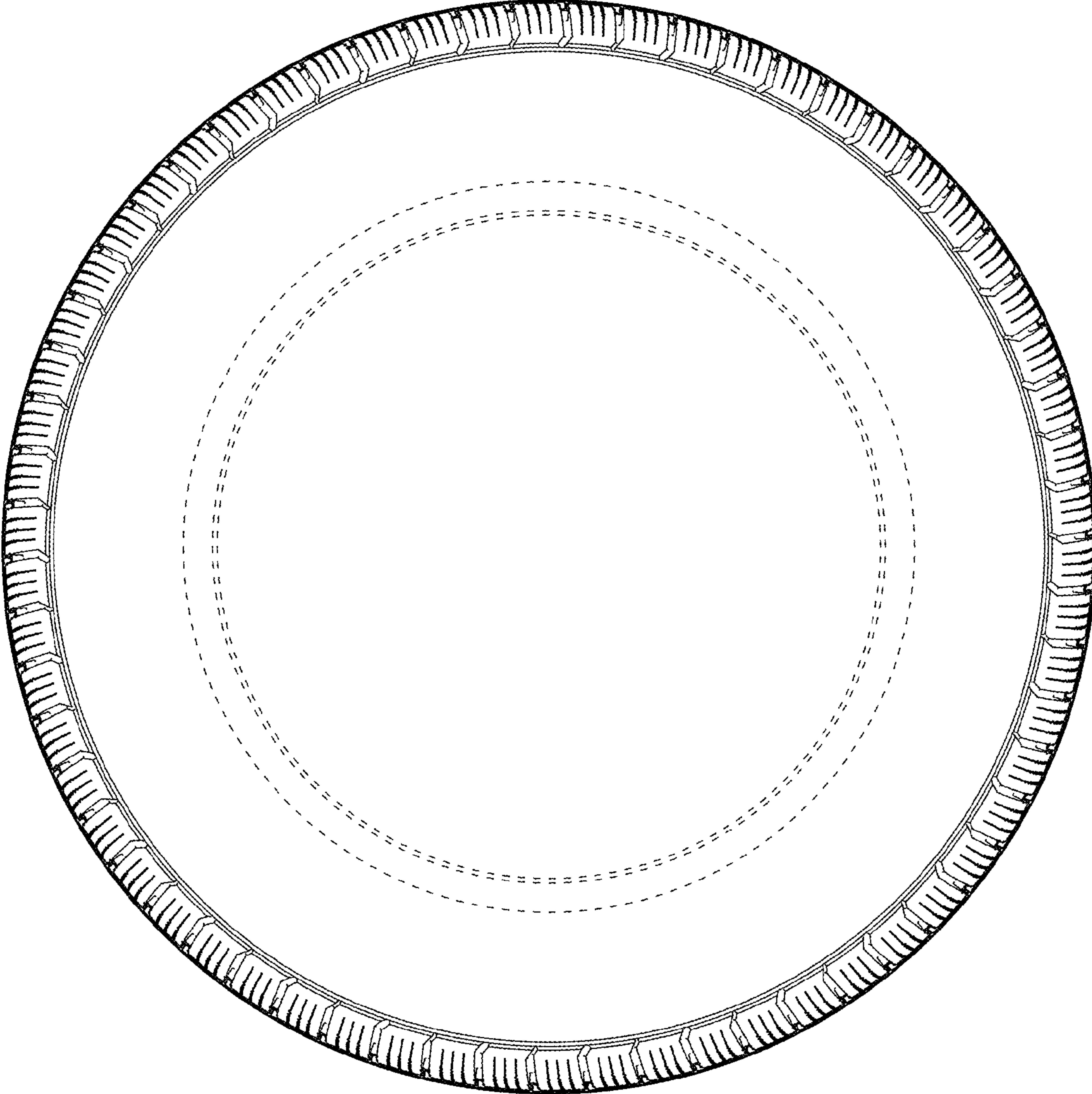


FIG. 7

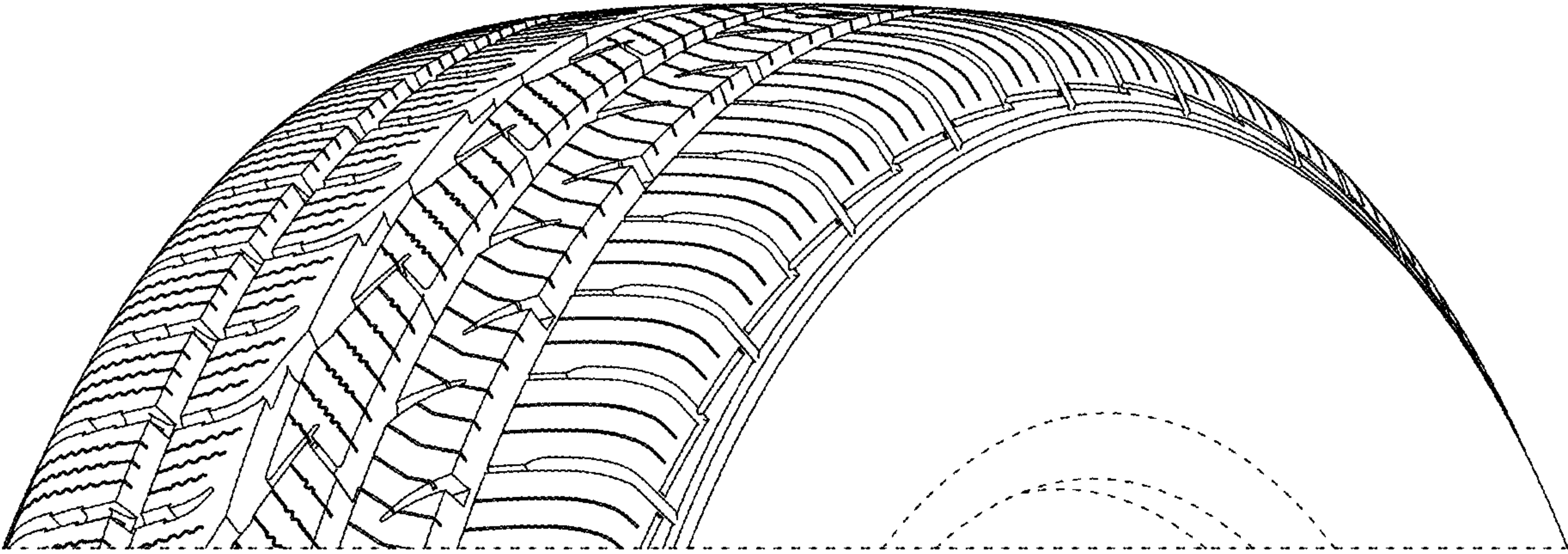


FIG. 8

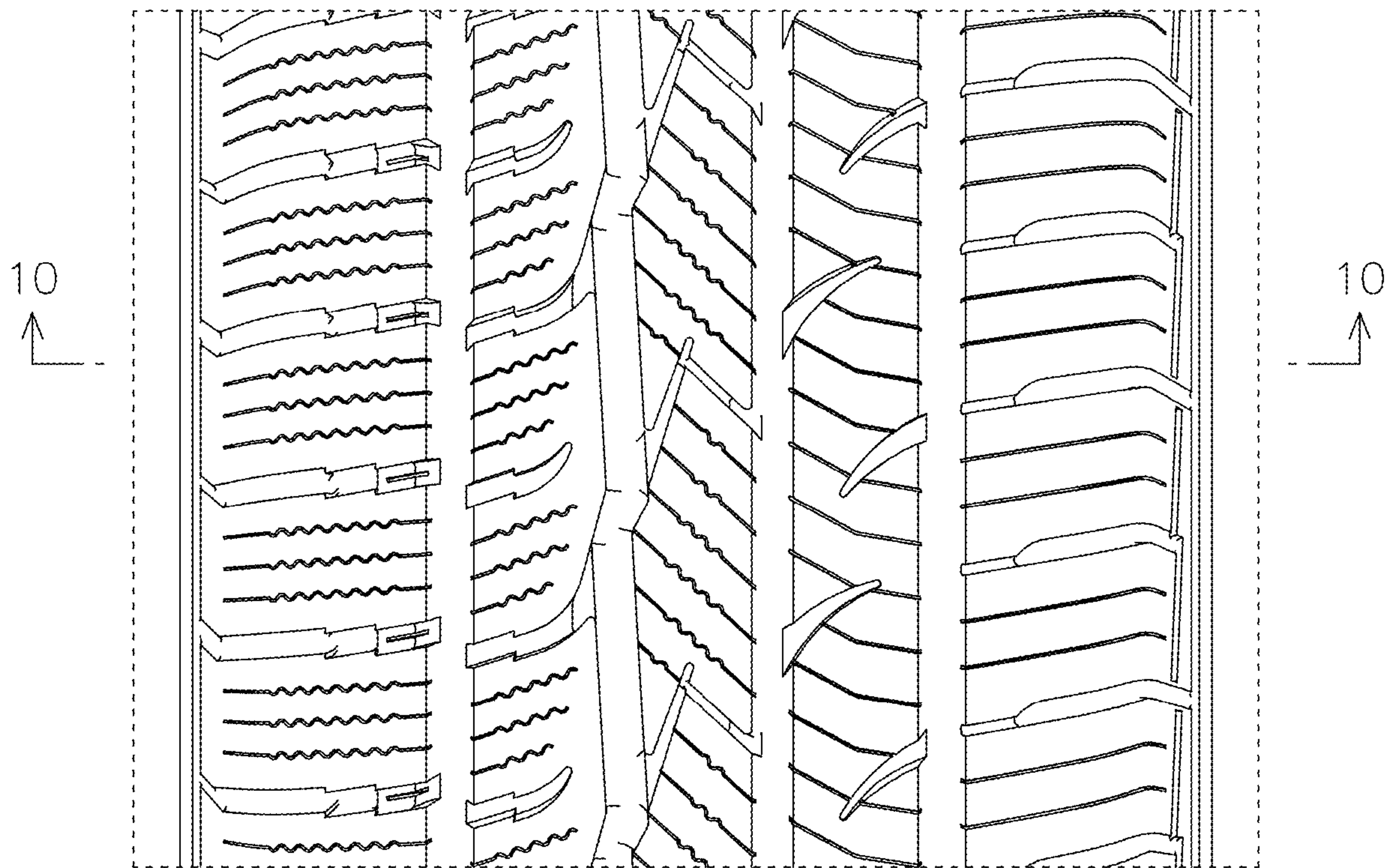


FIG. 9

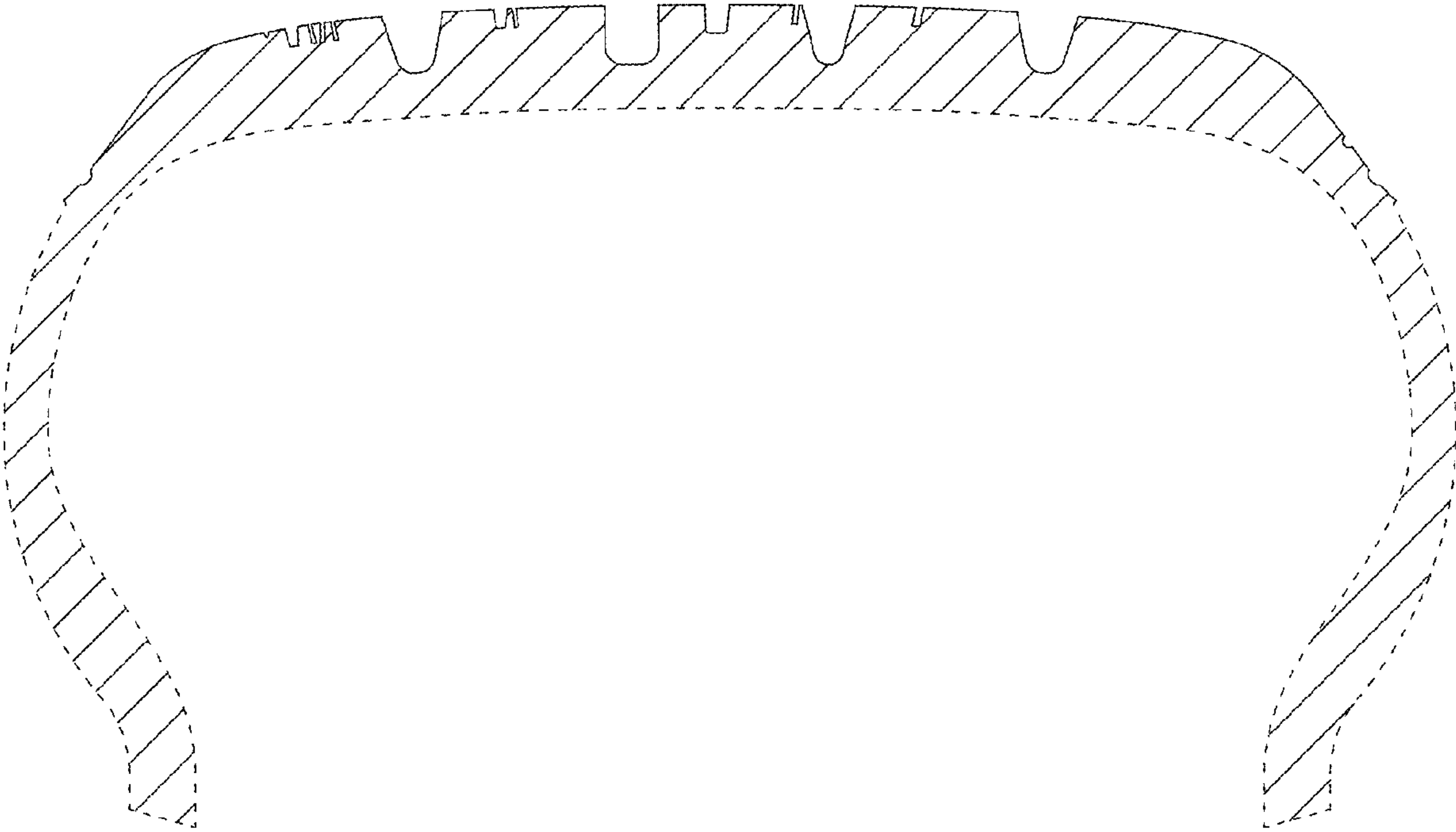


FIG. 10