



US00D985474S

(12) **United States Design Patent**
Liu

(10) **Patent No.:** **US D985,474 S**

(45) **Date of Patent:** **** May 9, 2023**

(54) **CAR TRASH BAG**

(71) Applicant: **Yanfeng Liu**, Guangzhou (CN)

(72) Inventor: **Yanfeng Liu**, Guangzhou (CN)

(**) Term: **15 Years**

(21) Appl. No.: **29/862,038**

(22) Filed: **Dec. 6, 2022**

(51) **LOC (14) Cl.** **12-03**

(52) **U.S. Cl.**
USPC **D12/423**

(58) **Field of Classification Search**
USPC D12/423; D34/1, 7; D3/289; D7/605,
D7/607
See application file for complete search history.

(56) **References Cited**

U.S. PATENT DOCUMENTS

D463,960 S * 10/2002 McDonald D7/709
D534,322 S * 12/2006 Watson D30/161
D923,423 S * 6/2021 Rong D3/289

D923,424 S * 6/2021 Rong D3/289
D927,261 S * 8/2021 Rong D7/607
D943,232 S * 2/2022 Xu D34/7
D969,061 S * 11/2022 Zheng D12/423

* cited by examiner

Primary Examiner — Khawaja Anwar

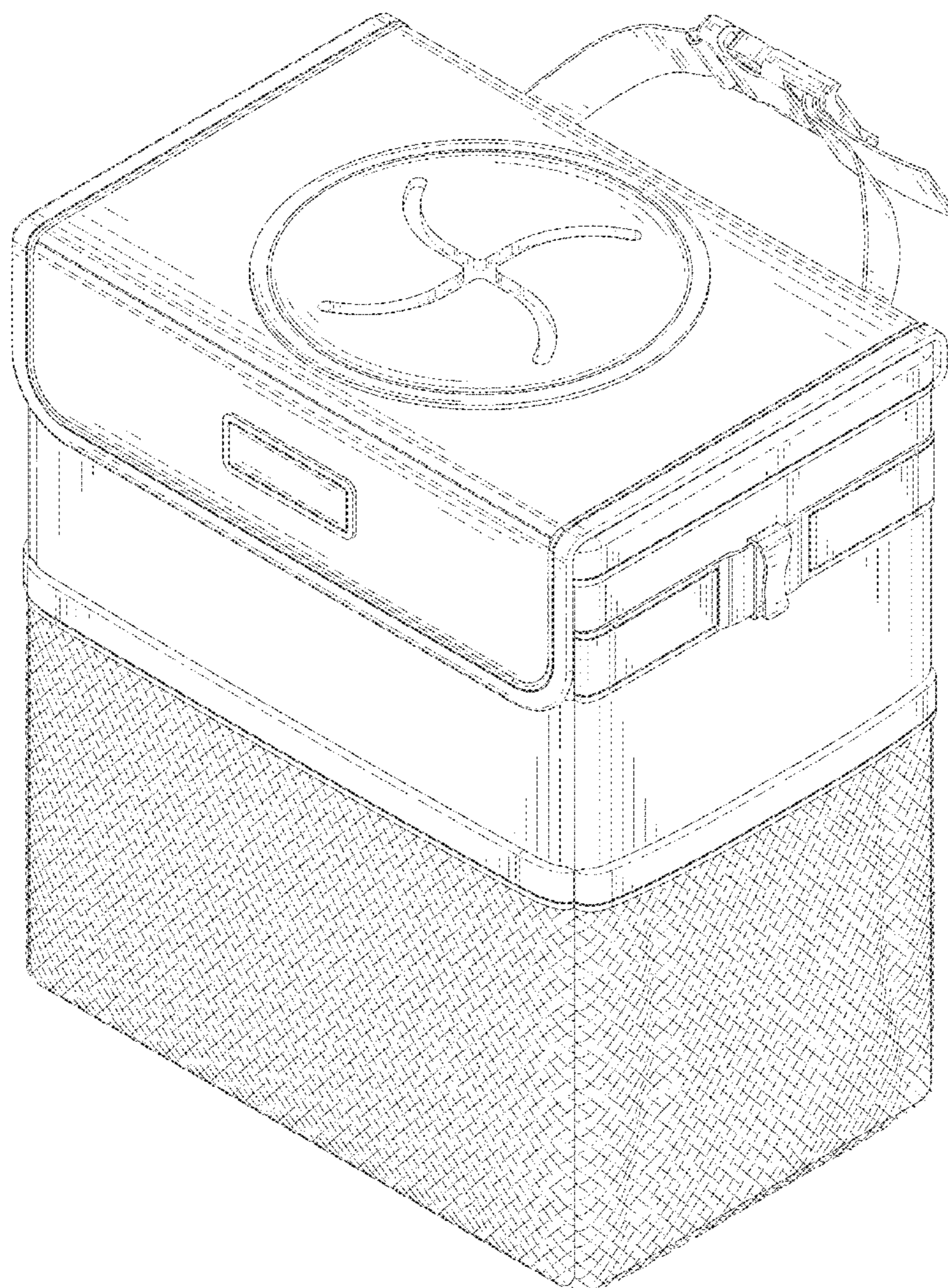
(57) **CLAIM**

The ornamental design for a car trash bag, as shown and described.

DESCRIPTION

FIG. 1 is a front and top perspective view of a car trash bag, showing my new design;
FIG. 2 is a rear and bottom perspective view thereof;
FIG. 3 is a front elevation view thereof;
FIG. 4 is a rear elevation view thereof;
FIG. 5 is a left side elevation view thereof;
FIG. 6 is a right side elevation view thereof;
FIG. 7 is a top plan view thereof; and,
FIG. 8 is a bottom plan view thereof.

1 Claim, 8 Drawing Sheets



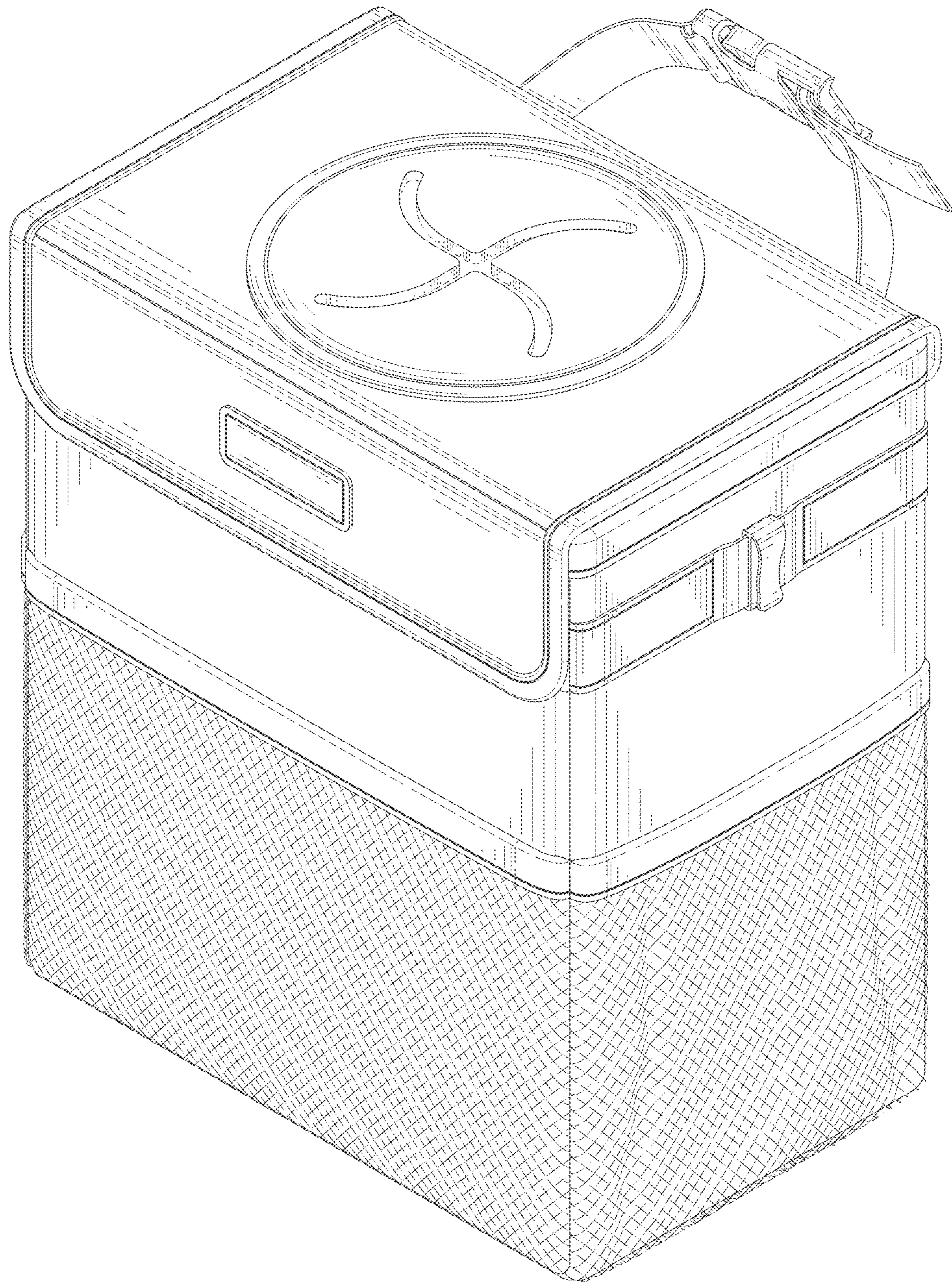


FIG. 1

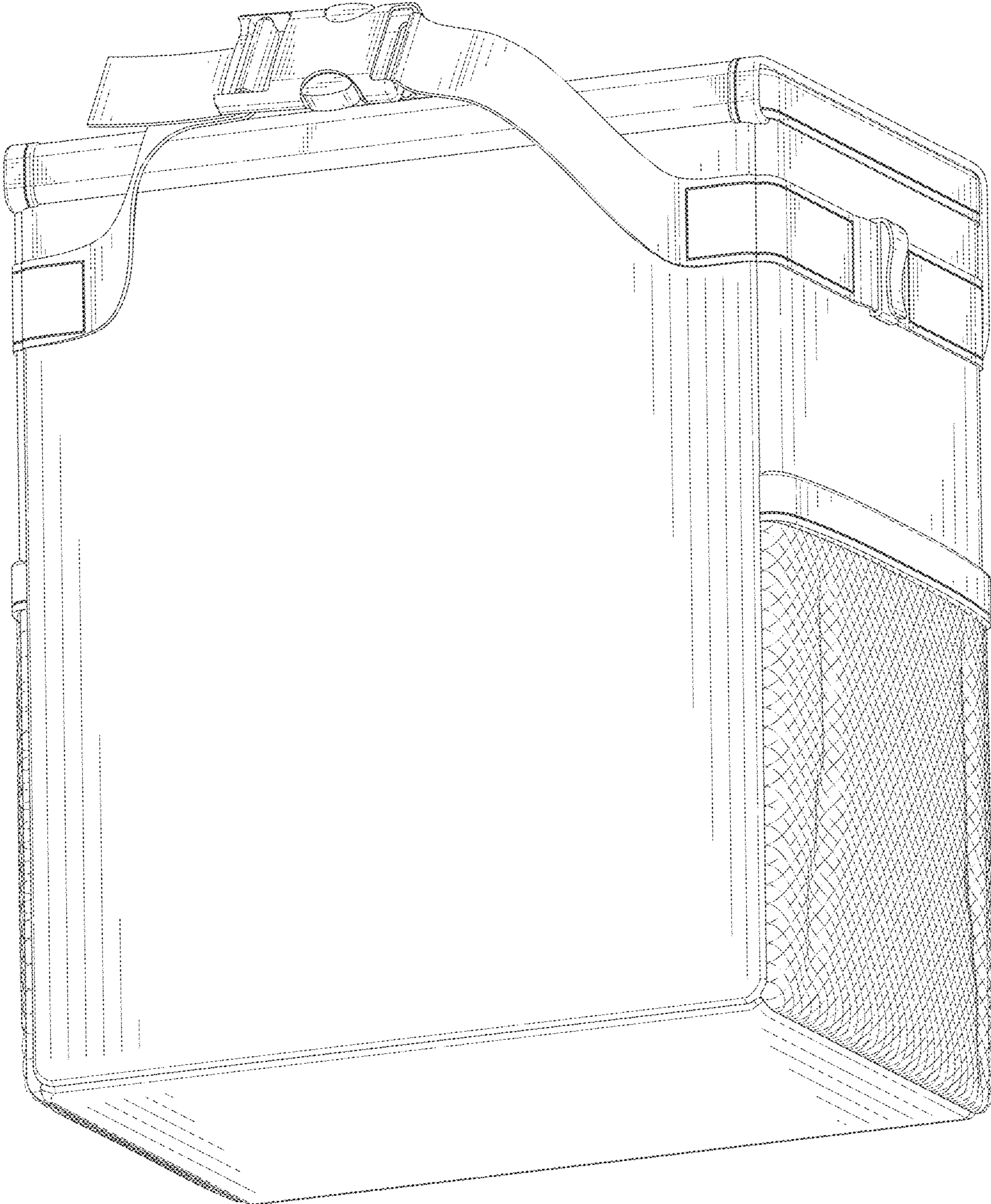


FIG. 2

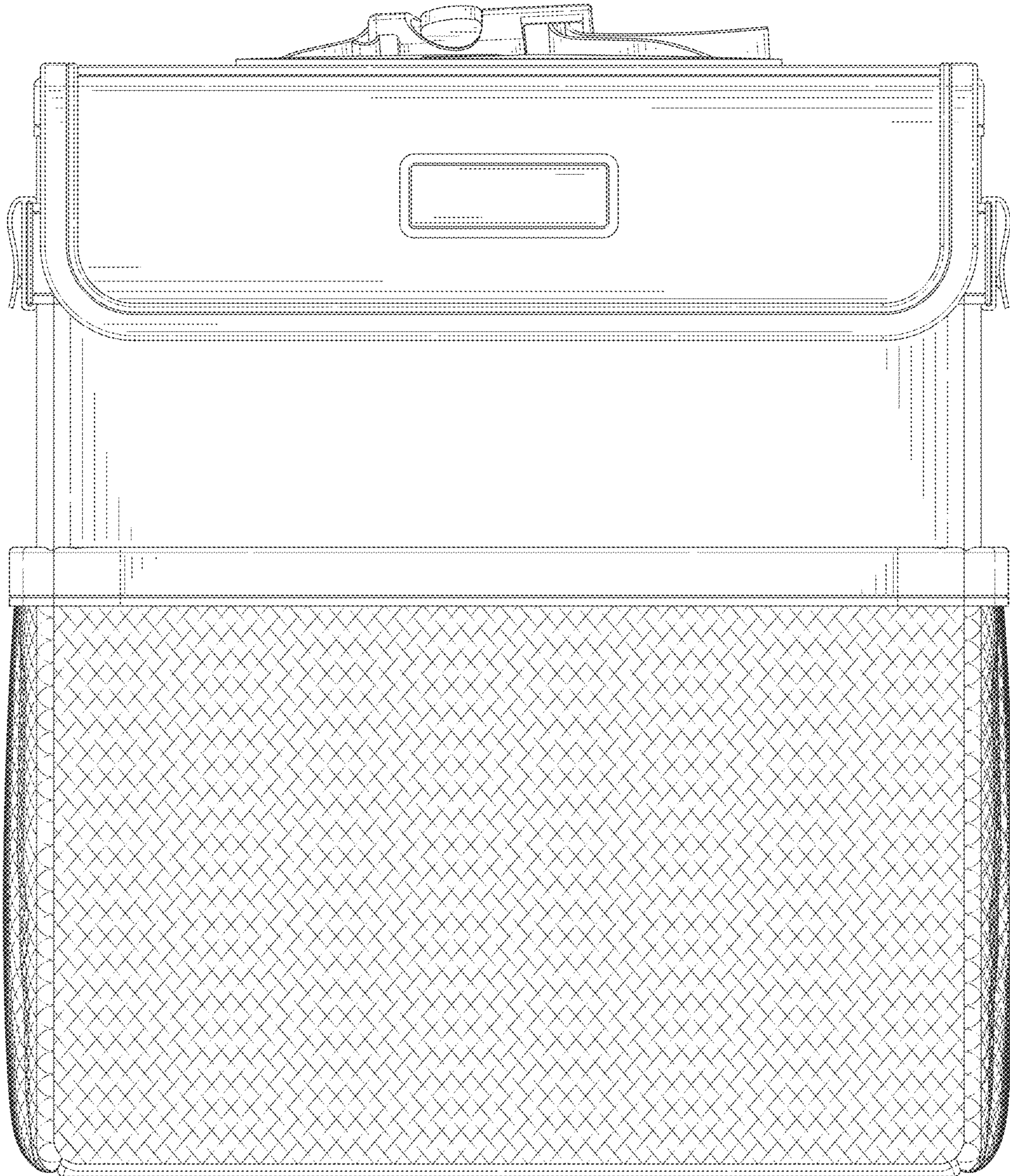


FIG. 3

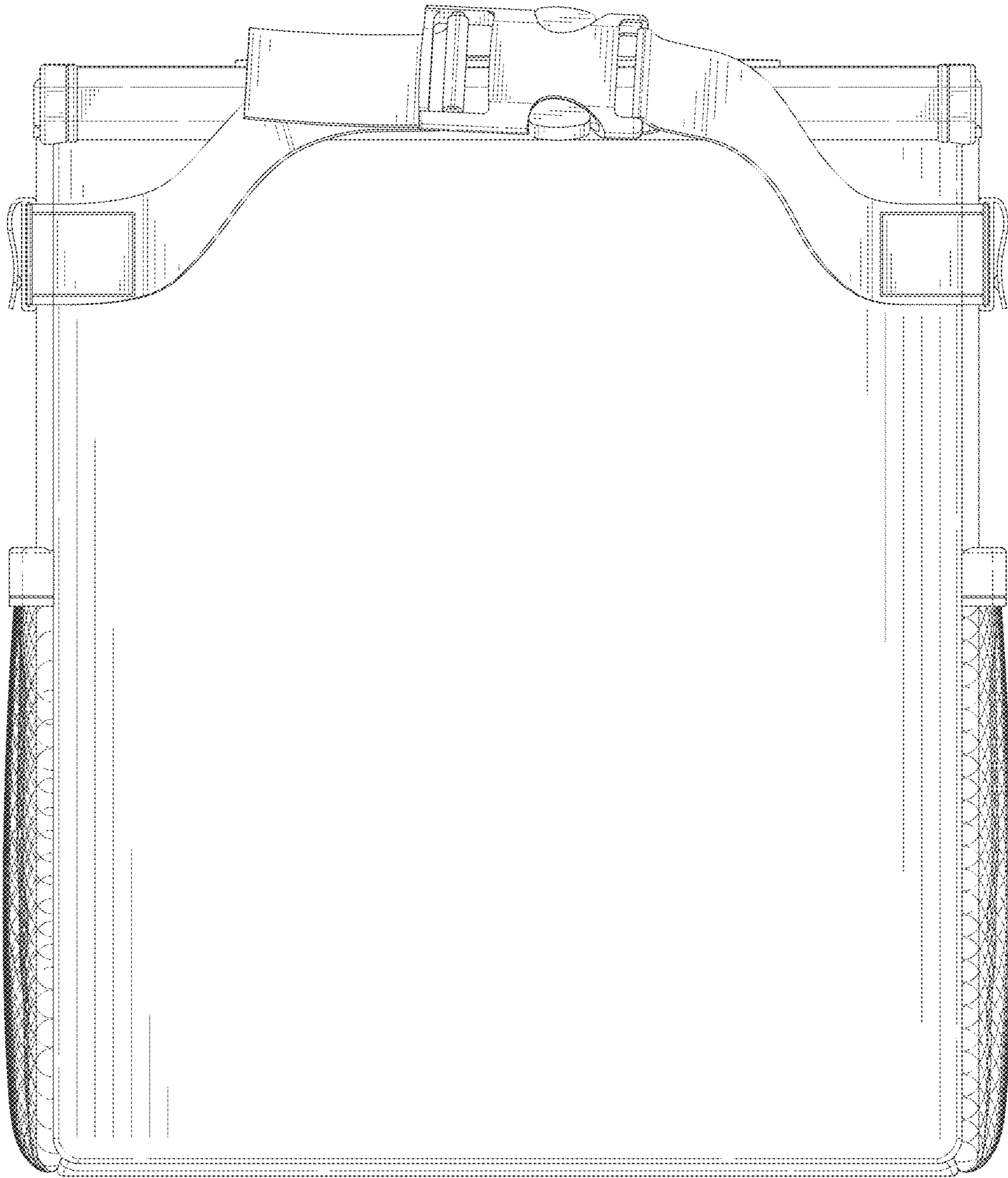


FIG. 4

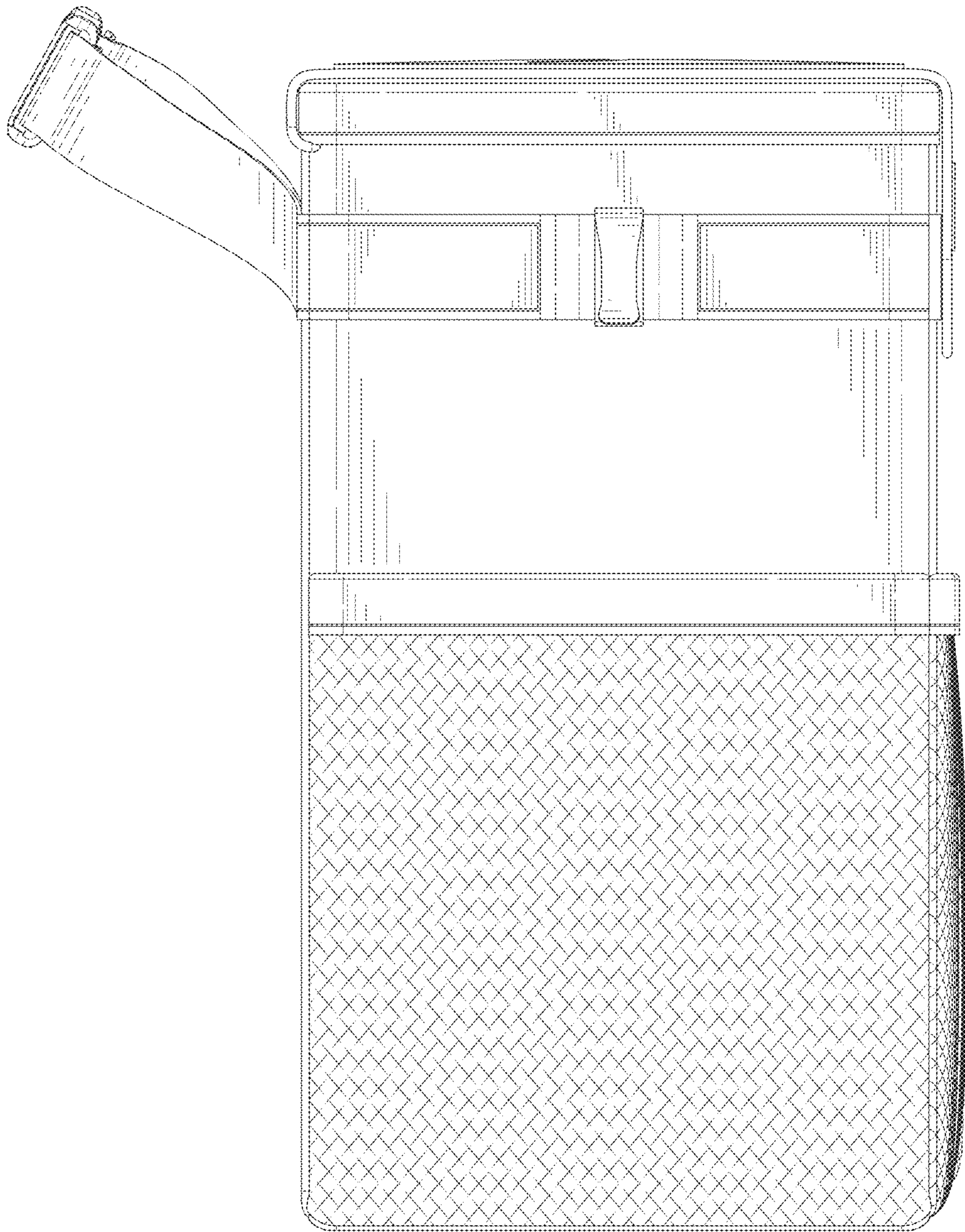


FIG. 5

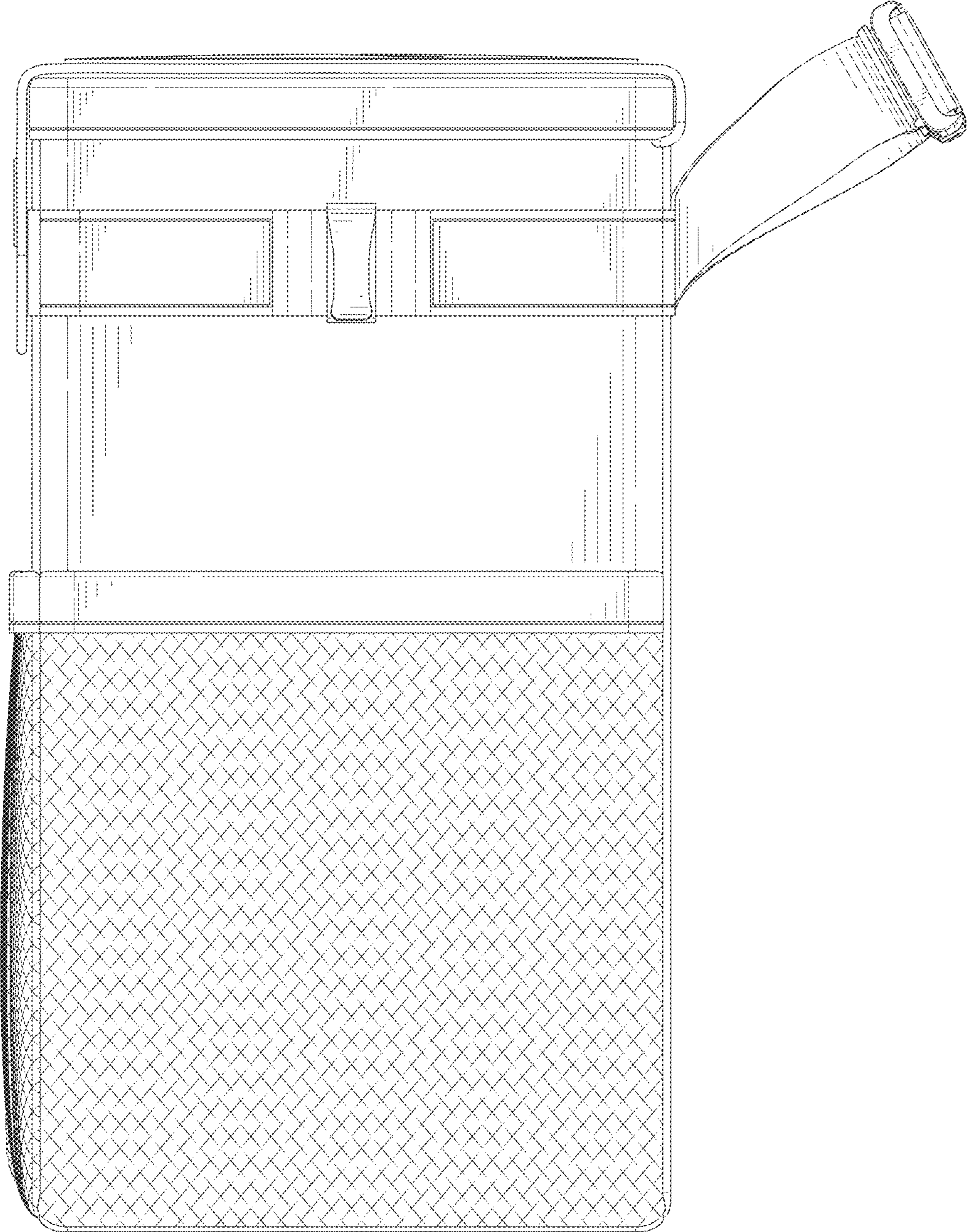


FIG. 6

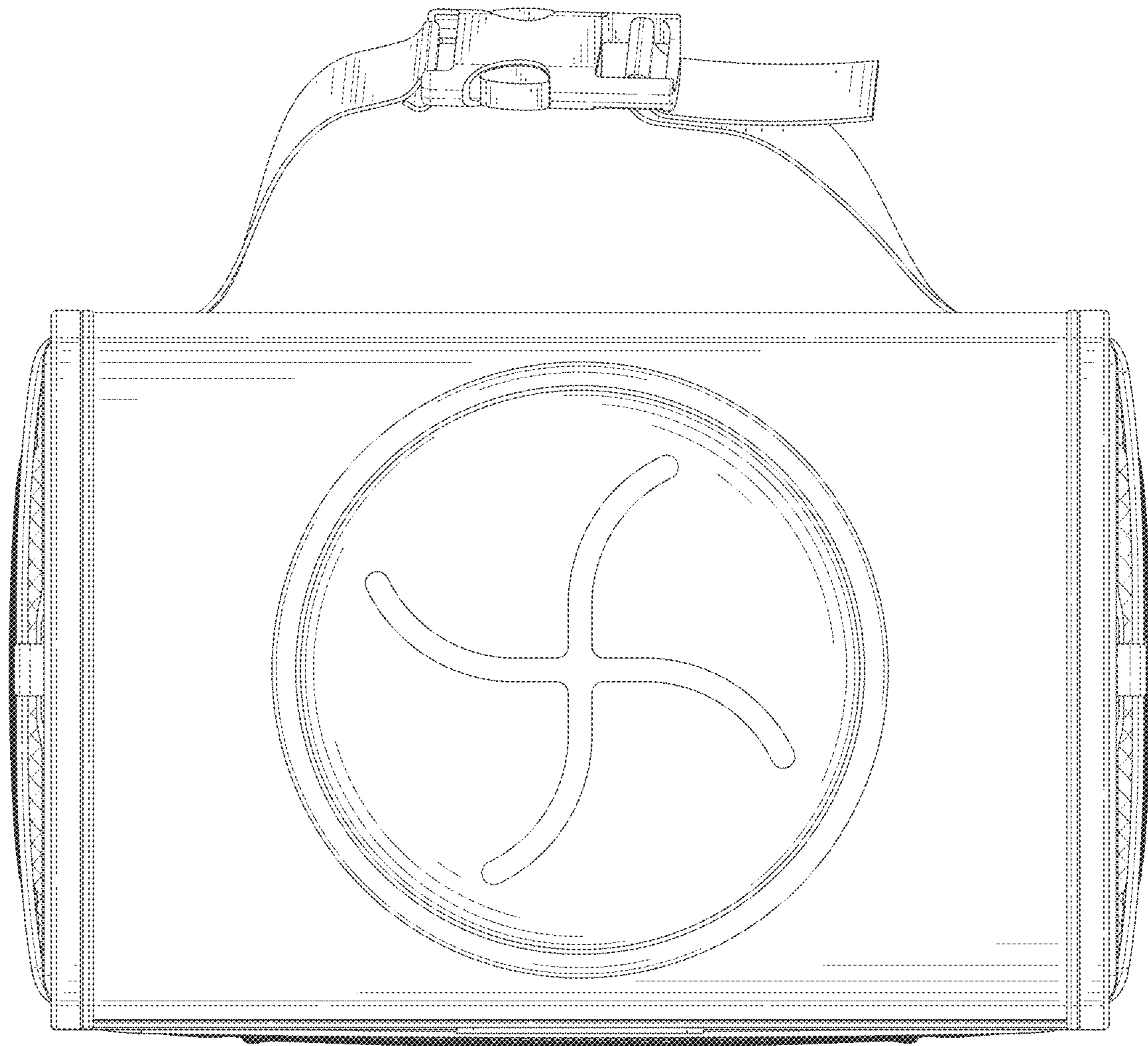


FIG. 7

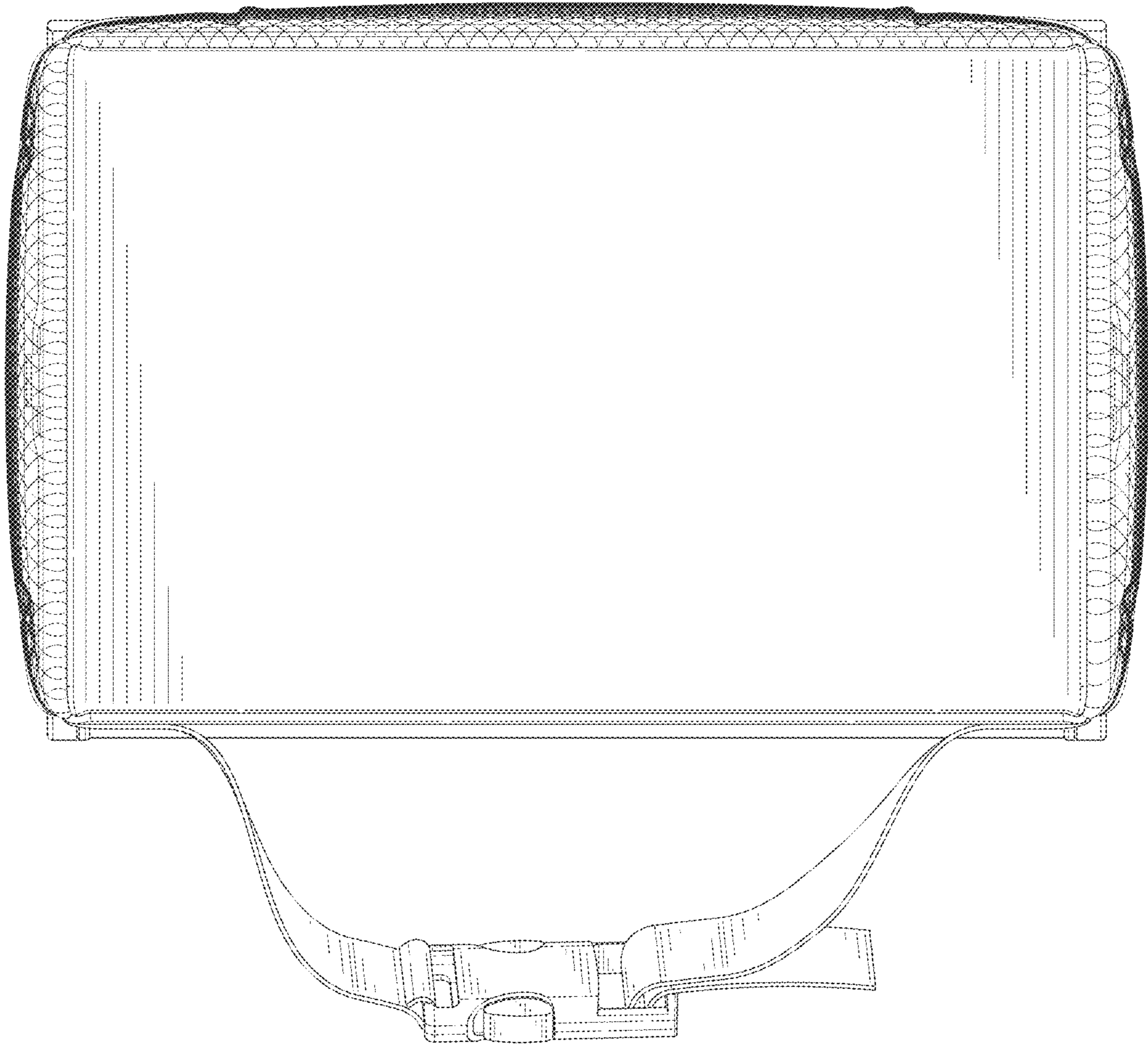


FIG. 8