



US00D985473S

(12) **United States Design Patent**
Zheng

(10) **Patent No.:** **US D985,473 S**

(45) **Date of Patent:** **** May 9, 2023**

(54) **CAR ORGANIZER**

(71) Applicant: **Xiaodan Zheng**, Raoping (CN)

(72) Inventor: **Xiaodan Zheng**, Raoping (CN)

(**) Term: **15 Years**

(21) Appl. No.: **29/837,060**

(22) Filed: **May 2, 2022**

(51) **LOC (14) Cl.** **12-16**

(52) **U.S. Cl.**
USPC **D12/422**

(58) **Field of Classification Search**
USPC D12/400, 406, 415, 416, 417, 418, 419,
D12/420, 421, 422, 423, 424, 425, 426;
D3/301, 303; D6/513, 567; D19/90
CPC ... B60J 5/04; B60R 7/00; B60R 11/00; B65D
85/68
See application file for complete search history.

D890,079 S 7/2020 Chen
D899,333 S * 10/2020 Shedlarski D12/195
D931,187 S 9/2021 Huang
D931,188 S 9/2021 Yang

OTHER PUBLICATIONS

Slogento, Published Nov. 30, 2021 [online], [retrieved on Sep. 7, 2022]. Retrieved from the Internet: <https://www.amazon.com/Filler-Organizer-Between-Console-Storage/dp/B09MS2C8D8> (Year: 2021).*

* cited by examiner

Primary Examiner — Cary M Robinson
Assistant Examiner — Adam C Mager
(74) *Attorney, Agent, or Firm* — Rumit Ranjit Kanakia

(57) **CLAIM**

The ornamental design for a car organizer, as shown and described.

(56) **References Cited**

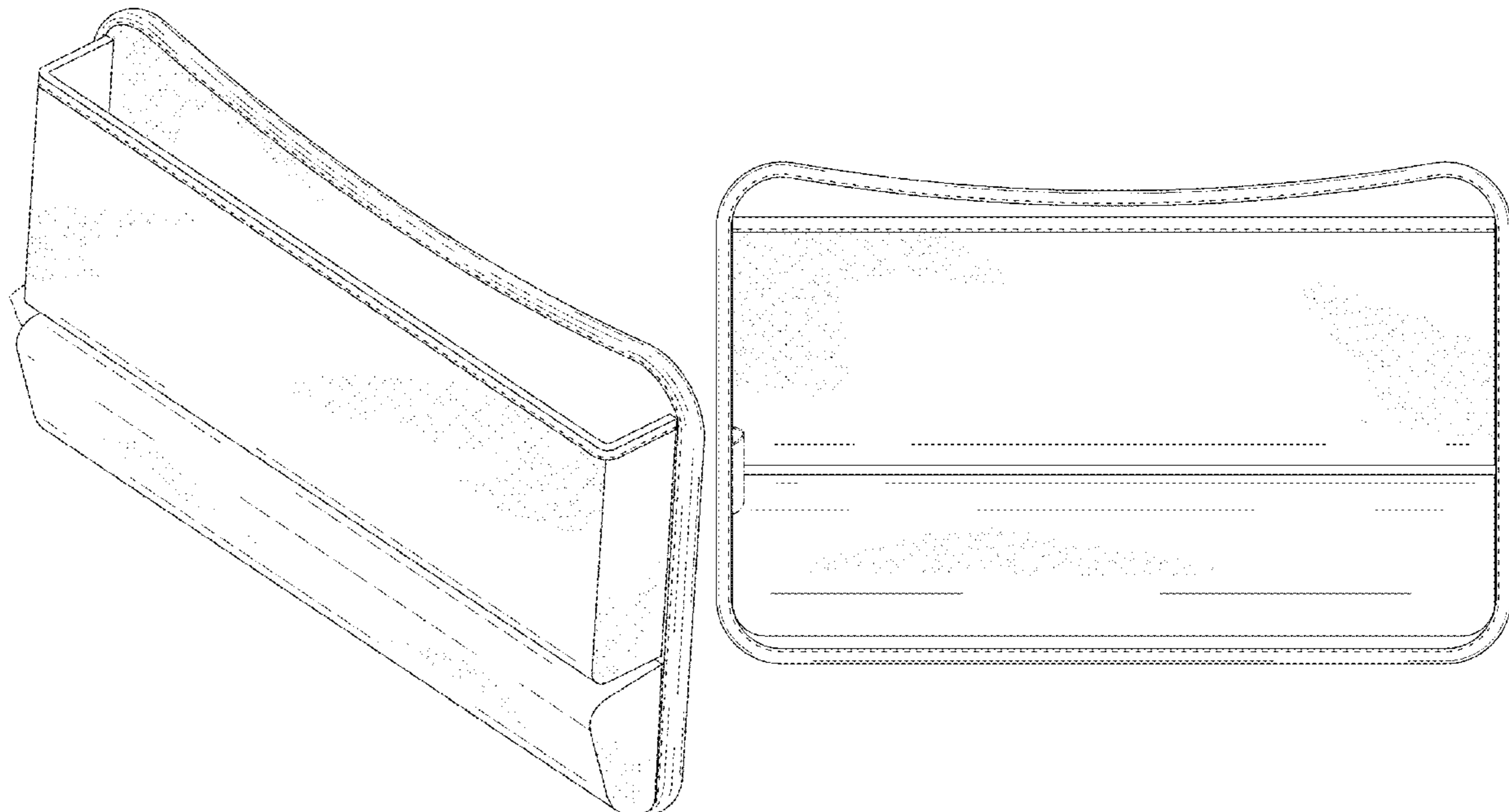
U.S. PATENT DOCUMENTS

D153,348 S	*	4/1949	Gainsbro	D12/423
D190,055 S	*	4/1961	Perkins	D12/423
D215,632 S	*	10/1969	Majewski	D12/423
D313,695 S	*	1/1991	Mawhinney	D2/864
D318,949 S	*	8/1991	Mawhinney	D12/422
D414,741 S	*	10/1999	Bergh	D12/407
D519,915 S		5/2006	Eskandry		
D556,109 S	*	11/2007	Elwell	D12/195
D590,889 S	*	4/2009	Lanfear	D19/90
D656,071 S	*	3/2012	Treon	D12/133
D658,568 S	*	5/2012	Currier	D12/416
D679,240 S		4/2013	Krankkala		
D682,551 S	*	5/2013	Phillips	D3/303
D741,248 S	*	10/2015	Boss	D12/422
D819,545 S		6/2018	O'Connor		

DESCRIPTION

FIG. 1 is a front view of a car organizer showing my new design;
FIG. 2 is a front view thereof;
FIG. 3 is a rear view thereof;
FIG. 4 is a left side view thereof;
FIG. 5 is a right side view thereof;
FIG. 6 is a top view thereof; and,
FIG. 7 is a bottom view thereof.
The dot-dash lines in the drawings illustrate portions of the car organizer that form no part of the claimed design. The evenly dashed lines depict stitching and form part of the claimed design.

1 Claim, 5 Drawing Sheets



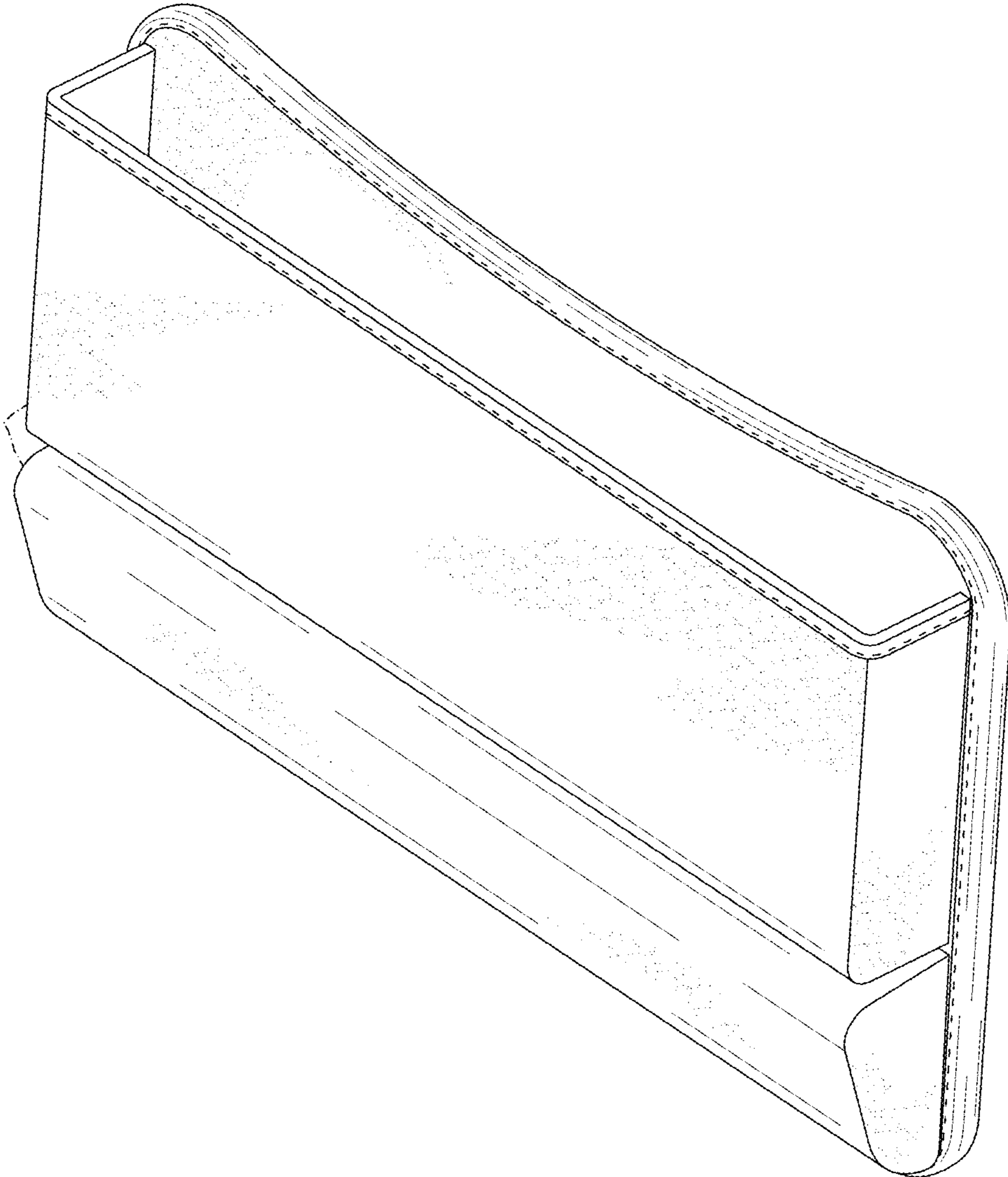


FIG. 1

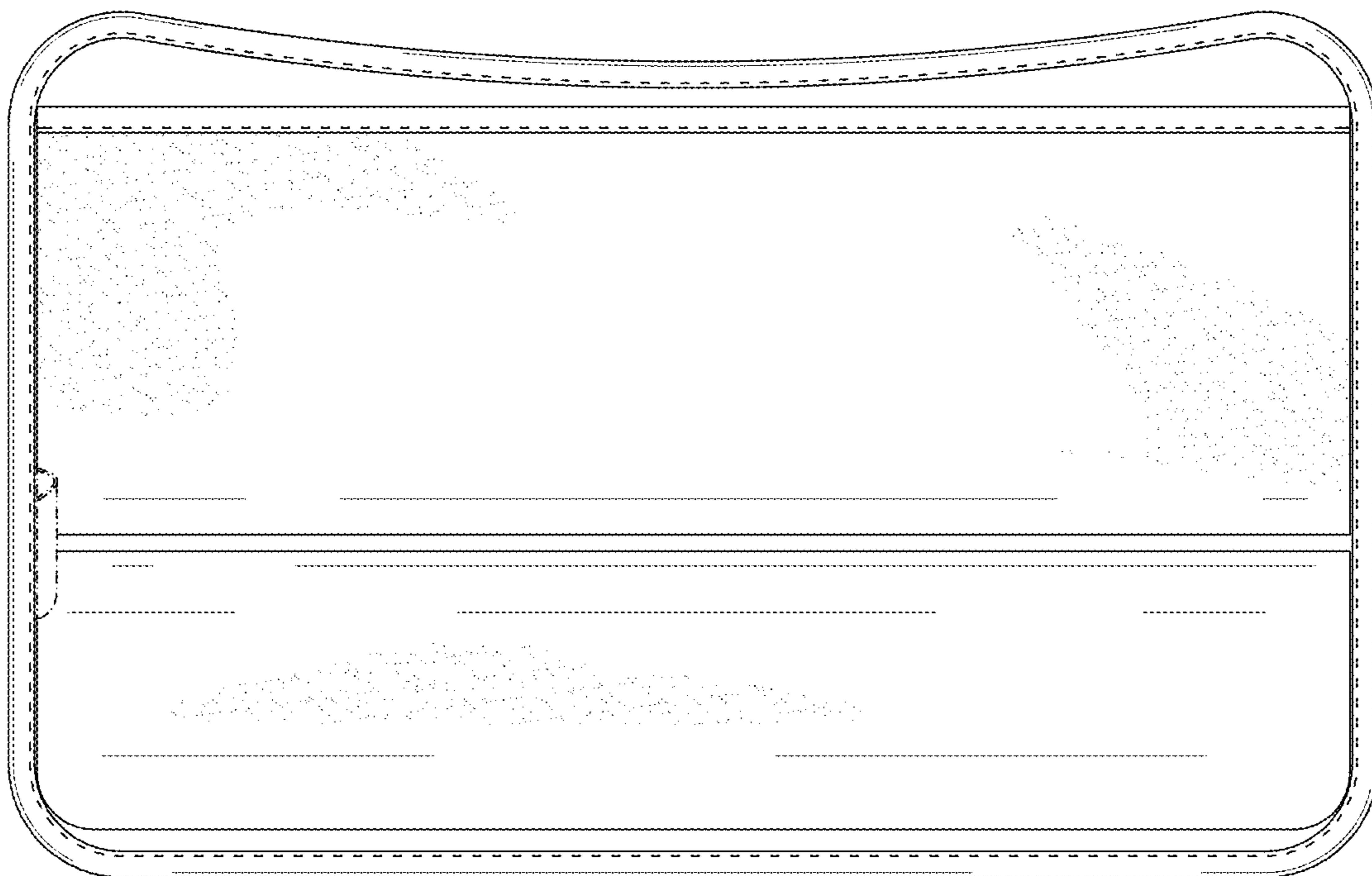


FIG. 2

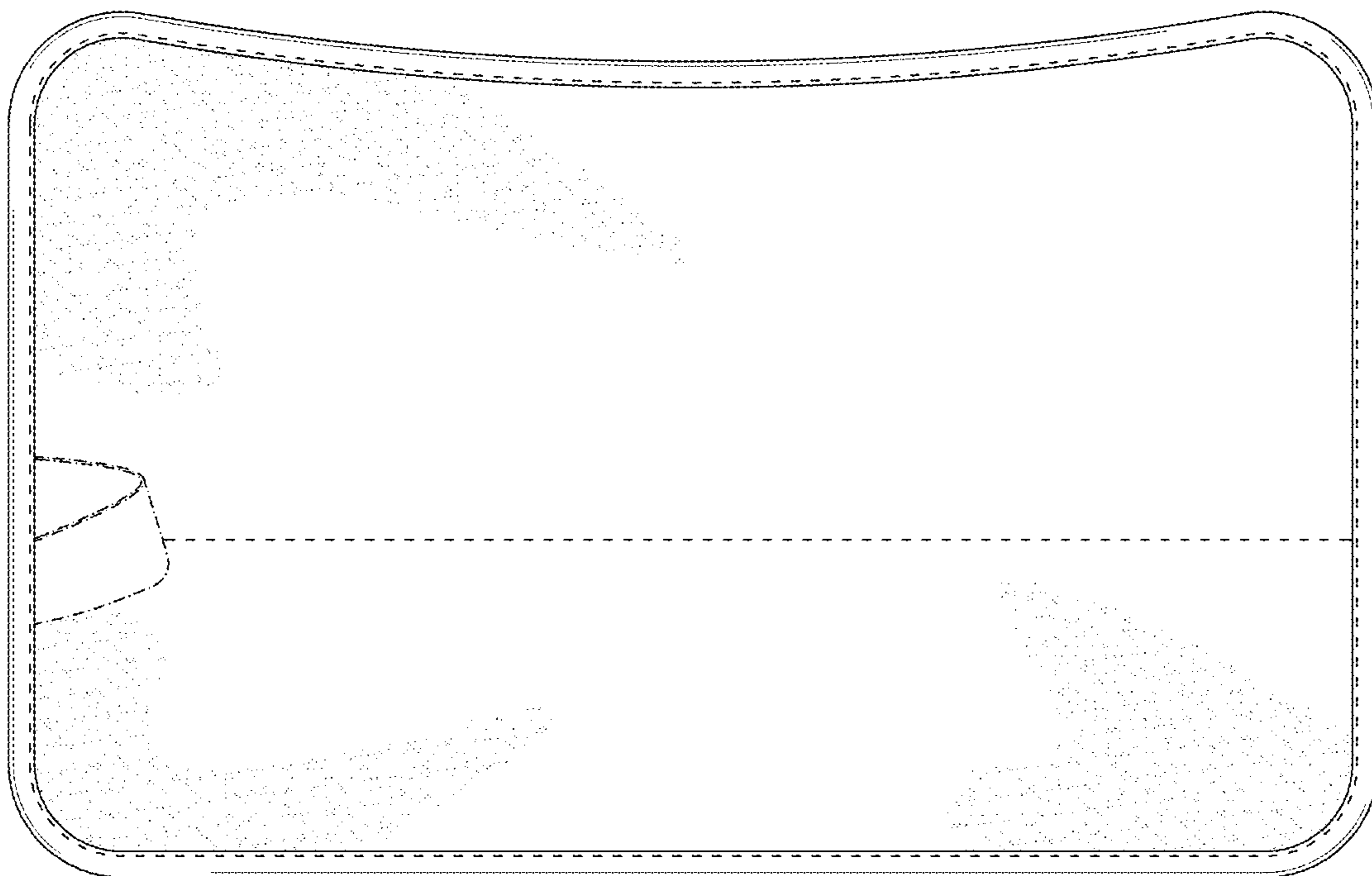


FIG. 3

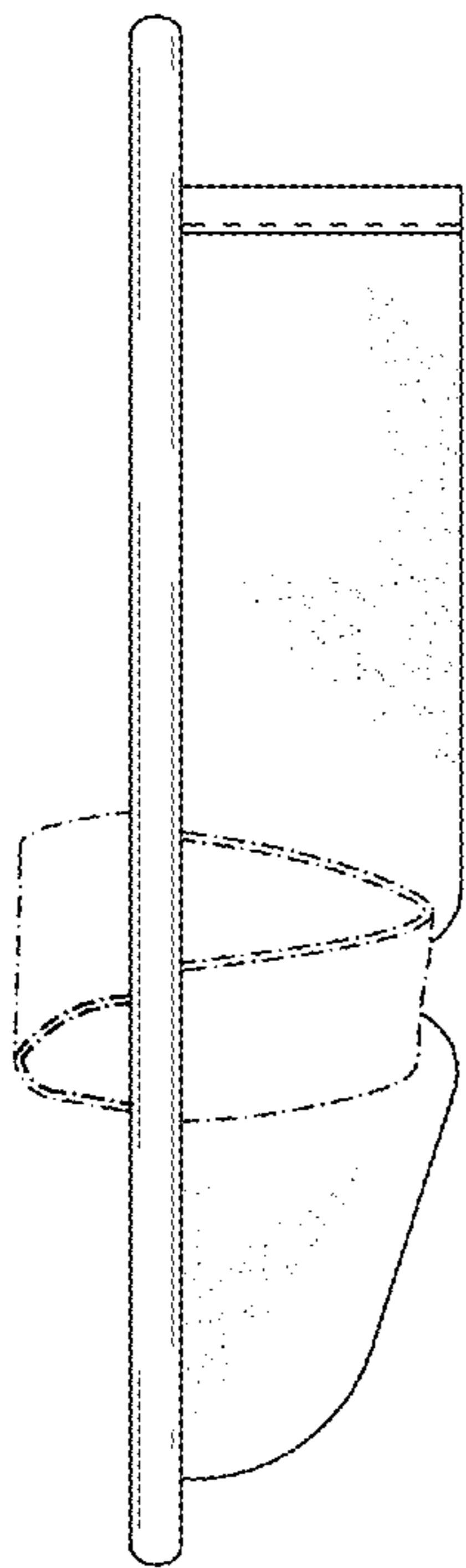


FIG. 4

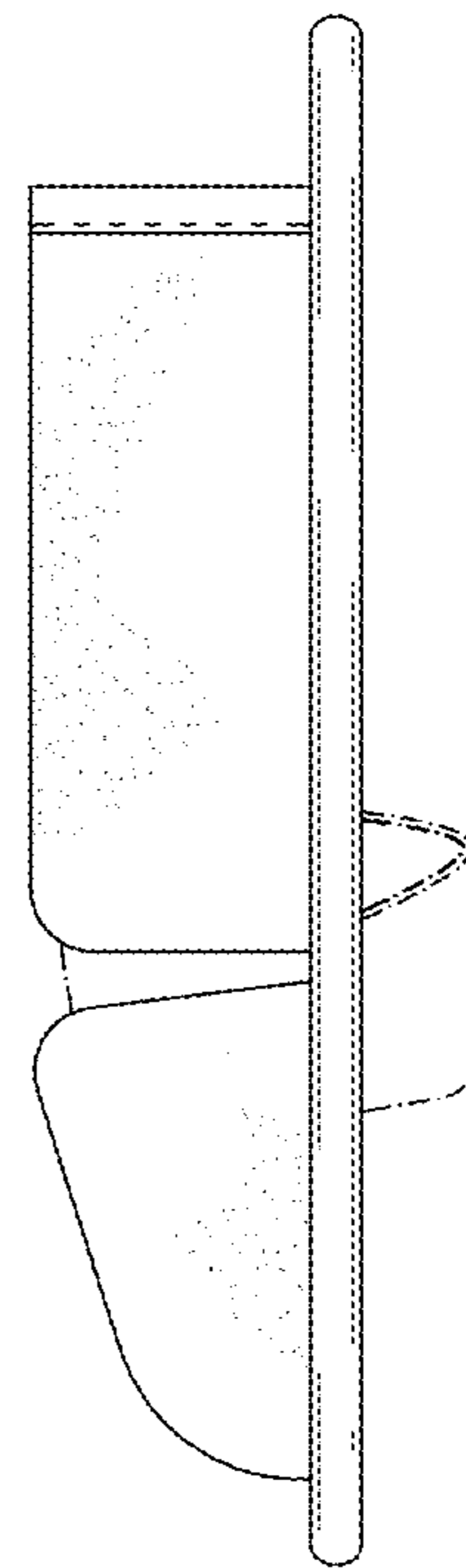


FIG. 5

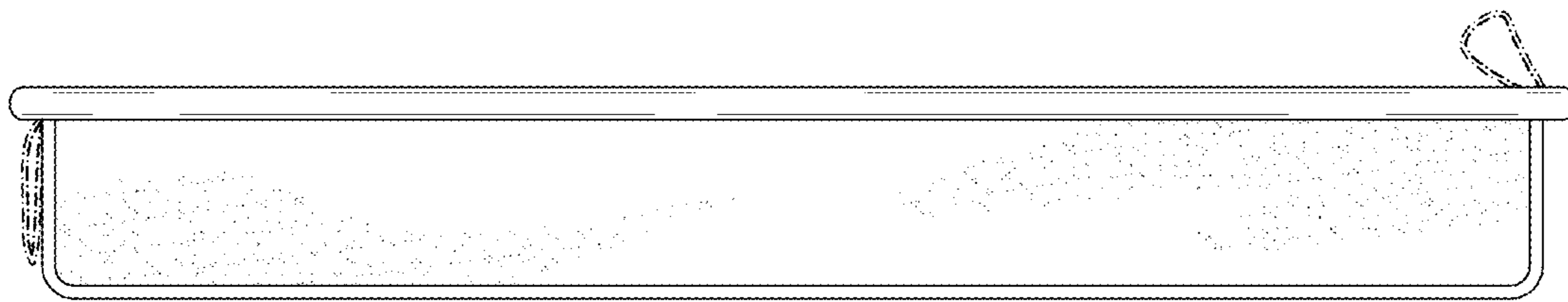


FIG. 6

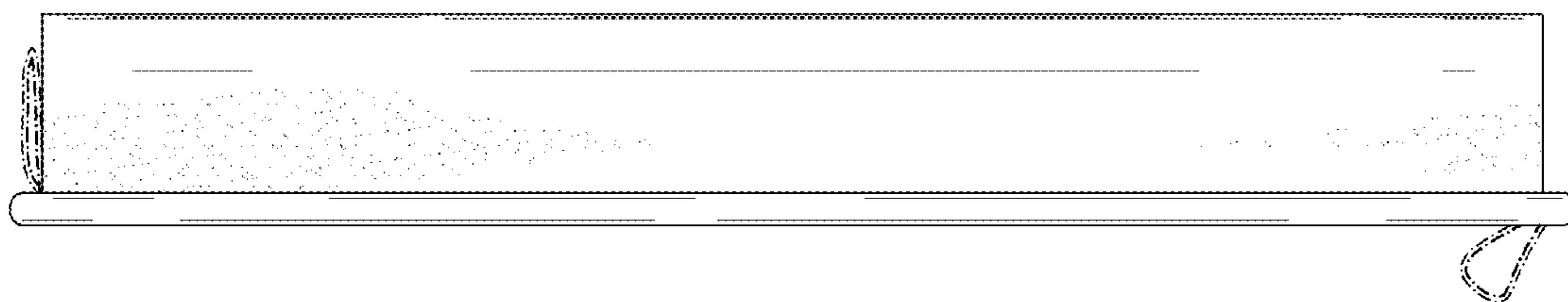


FIG. 7