



US00D985471S

(12) **United States Design Patent**  
**Yang**

(10) **Patent No.:** **US D985,471 S**

(45) **Date of Patent:** **\*\* May 9, 2023**

(54) **VEHICLE CUP HOLDER CELL PHONE MOUNT**

D967,748 S \* 10/2022 Han ..... D12/419  
D970,428 S \* 11/2022 Yang ..... D12/419  
D970,972 S \* 11/2022 Wang ..... D12/419

(71) Applicant: **Shenzhen Annaijia Electronics Co., Ltd.**, Shenzhen (CN)

\* cited by examiner

(72) Inventor: **Weizhao Yang**, Shenzhen (CN)

*Primary Examiner* — Katrina A Betton

(73) Assignee: **SHENZHEN ANNAIJIA ELECTRONICS CO., LTD.**, Shenzhen (CN)

(74) *Attorney, Agent, or Firm* — Leong C. Lei

(57) **CLAIM**

The ornamental design for a vehicle cup holder cell phone mount, as shown and described.

(\*\*) Term: **15 Years**

**DESCRIPTION**

(21) Appl. No.: **29/797,268**

FIG. 1 is a perspective view of a vehicle cup holder cell phone mount showing my present design, in which a base of my present design is in a retracted state;

(22) Filed: **Jun. 30, 2021**

FIG. 2 is a front view of FIG. 1;

(51) **LOC (14) Cl.** ..... **12-16**

FIG. 3 is a rear view of FIG. 1;

(52) **U.S. Cl.**  
USPC ..... **D12/419**

FIG. 4 is a left side view of FIG. 1;

(58) **Field of Classification Search**  
USPC ..... D12/415, 419; D7/620  
CPC .. B60R 7/08; B60Q 3/225; B60Q 3/64; B60N 3/10  
See application file for complete search history.

FIG. 5 is a right side view of FIG. 1;

FIG. 6 is a top view of FIG. 1;

FIG. 7 is a bottom view of FIG. 1;

FIG. 8 is a perspective view of the vehicle cup holder cell phone mount showing my present design, in which the base of my present design is in an extended state;

(56) **References Cited**

**U.S. PATENT DOCUMENTS**

D906,229 S \* 12/2020 Han ..... D12/419  
D913,201 S \* 3/2021 Jia ..... D12/419  
D917,375 S \* 4/2021 Cavallo ..... B60N 3/105  
D12/419  
D937,754 S \* 12/2021 Xu ..... D12/419  
D938,342 S \* 12/2021 Yang ..... D12/419  
D940,050 S \* 1/2022 Lai ..... D12/419  
D940,635 S \* 1/2022 Yang ..... D12/419  
D966,175 S \* 10/2022 Han ..... D12/419  
D966,997 S \* 10/2022 Zhu ..... D12/419

FIG. 9 is a front view of FIG. 8;

FIG. 10 is a rear view of FIG. 8;

FIG. 11 is a left side view of FIG. 8;

FIG. 12 is a right side view of FIG. 8;

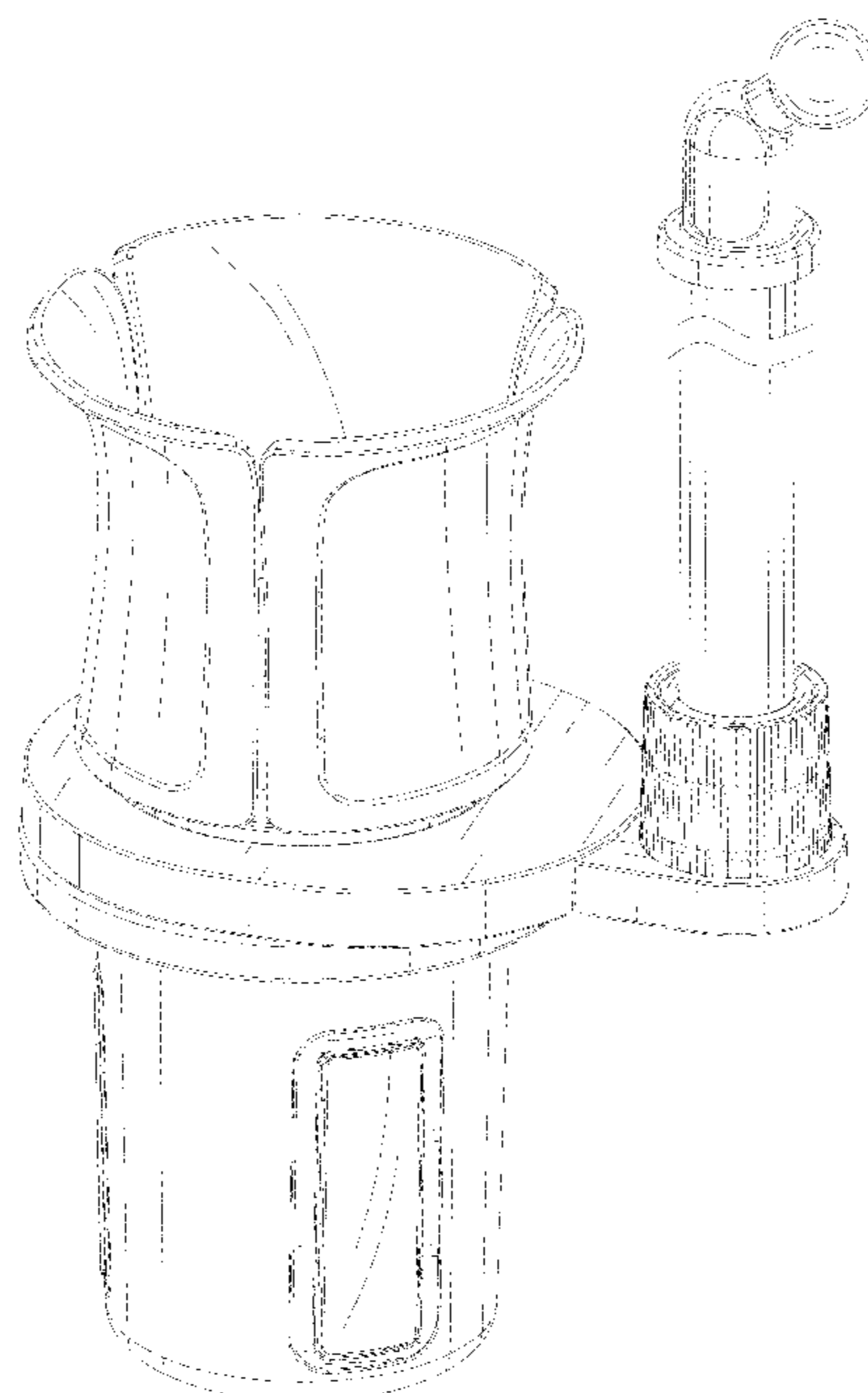
FIG. 13 is a top view of FIG. 8;

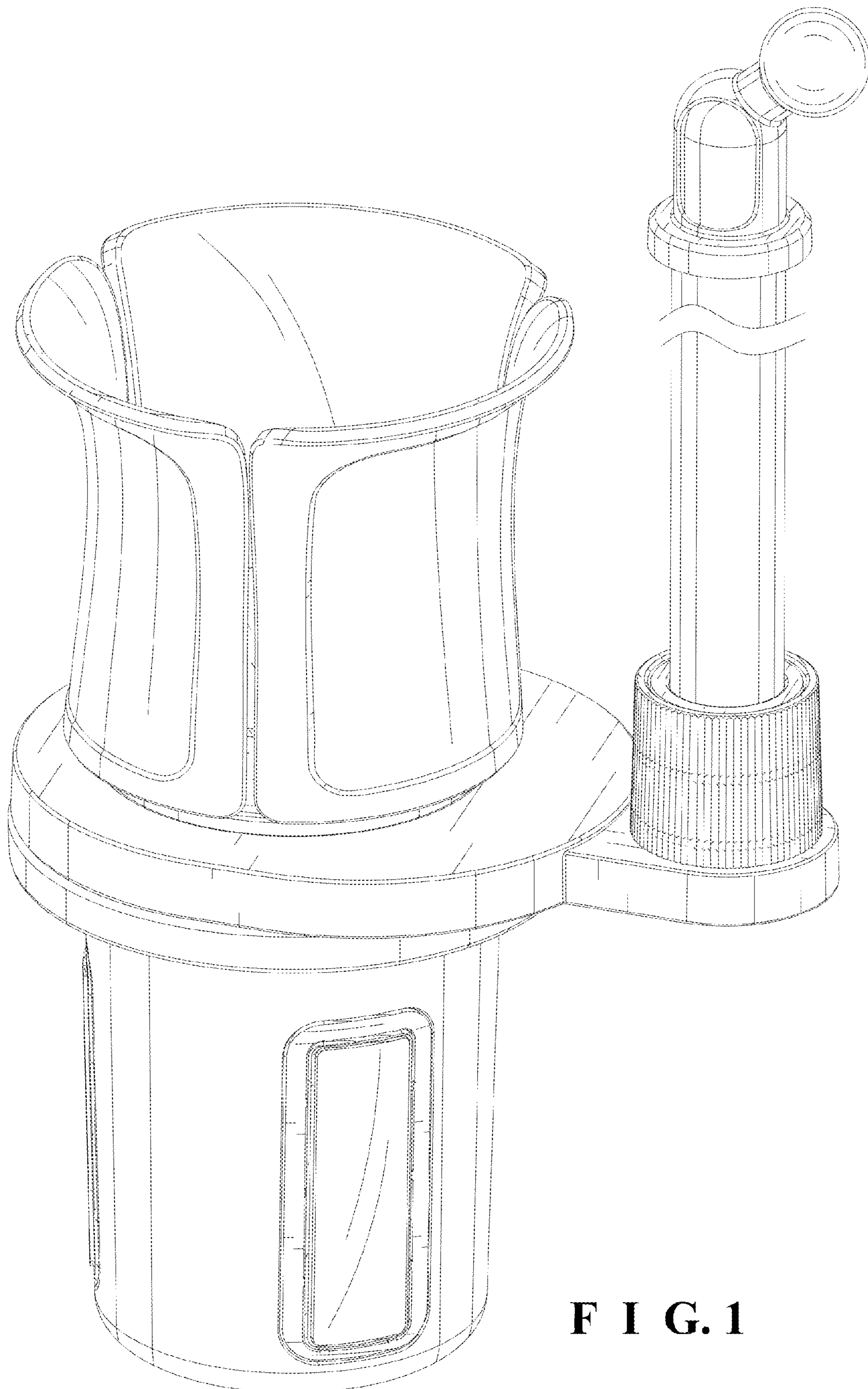
FIG. 14 is a bottom view of FIG. 8; and,

FIG. 15 is a perspective view of the vehicle cup holder cell phone mount combined with a cell phone holder.

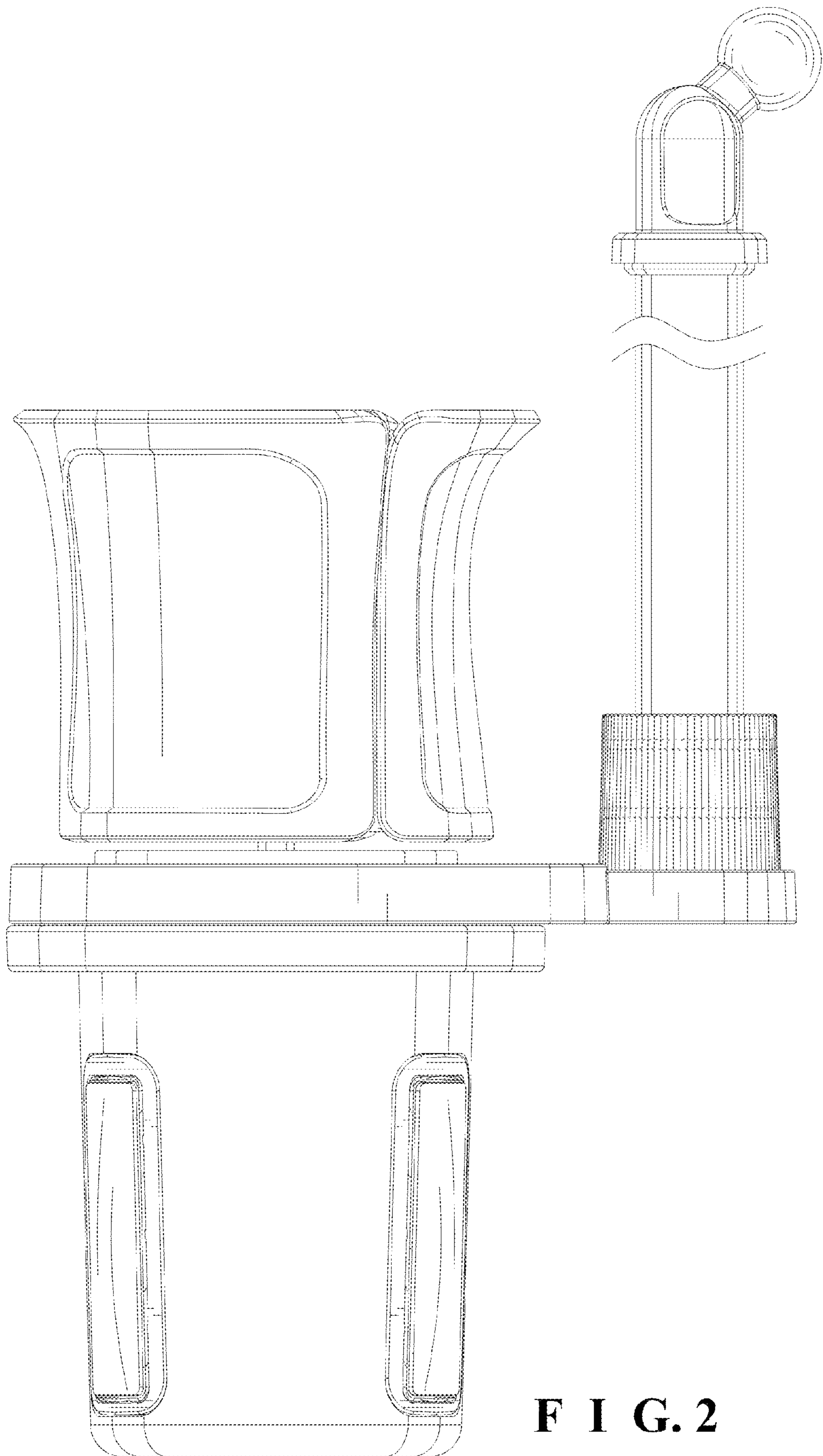
The broken lines shown in the drawings illustrate environment and portions of the vehicle cup holder cell phone mount that form no part of the claimed design.

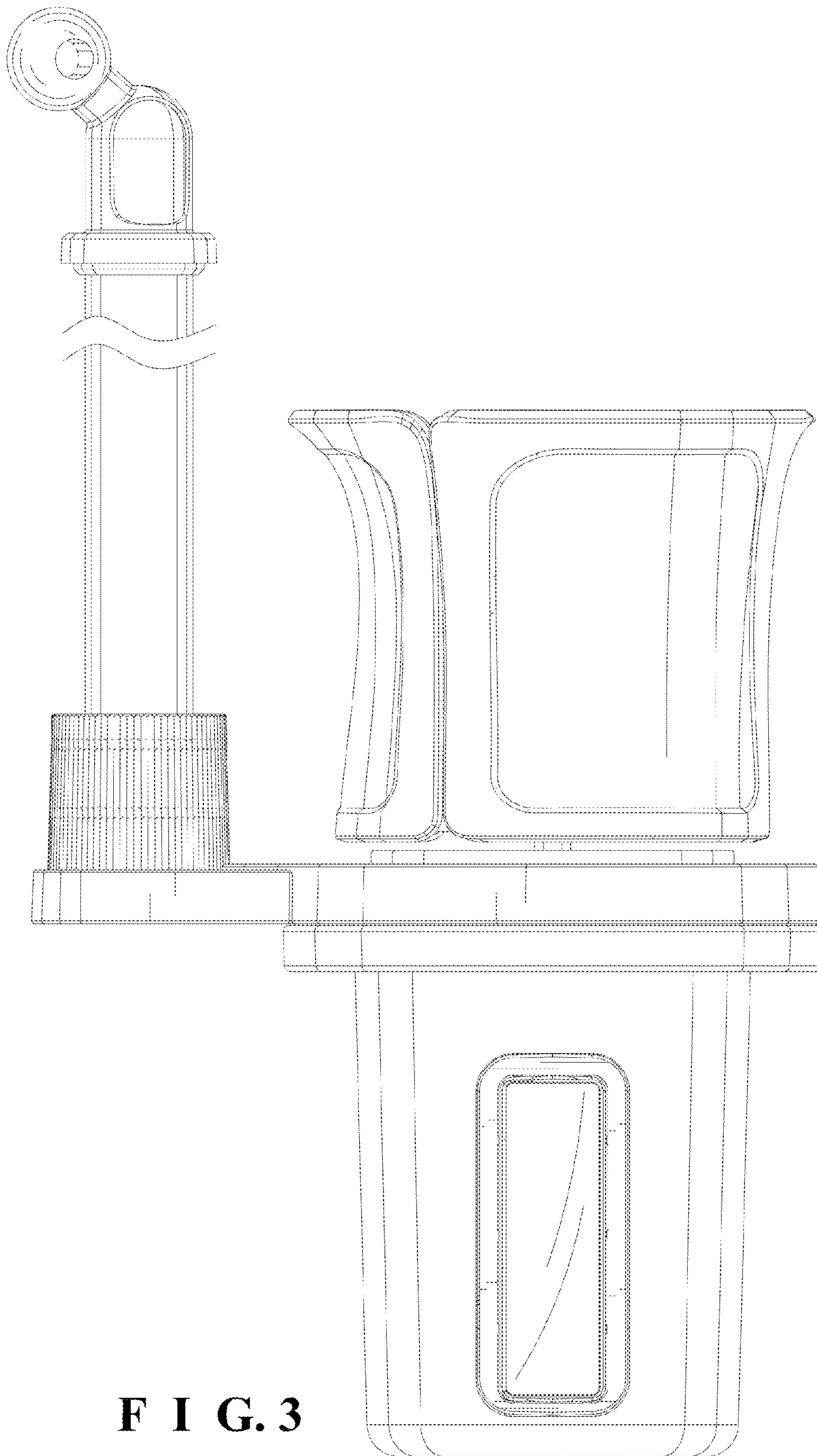
**1 Claim, 15 Drawing Sheets**



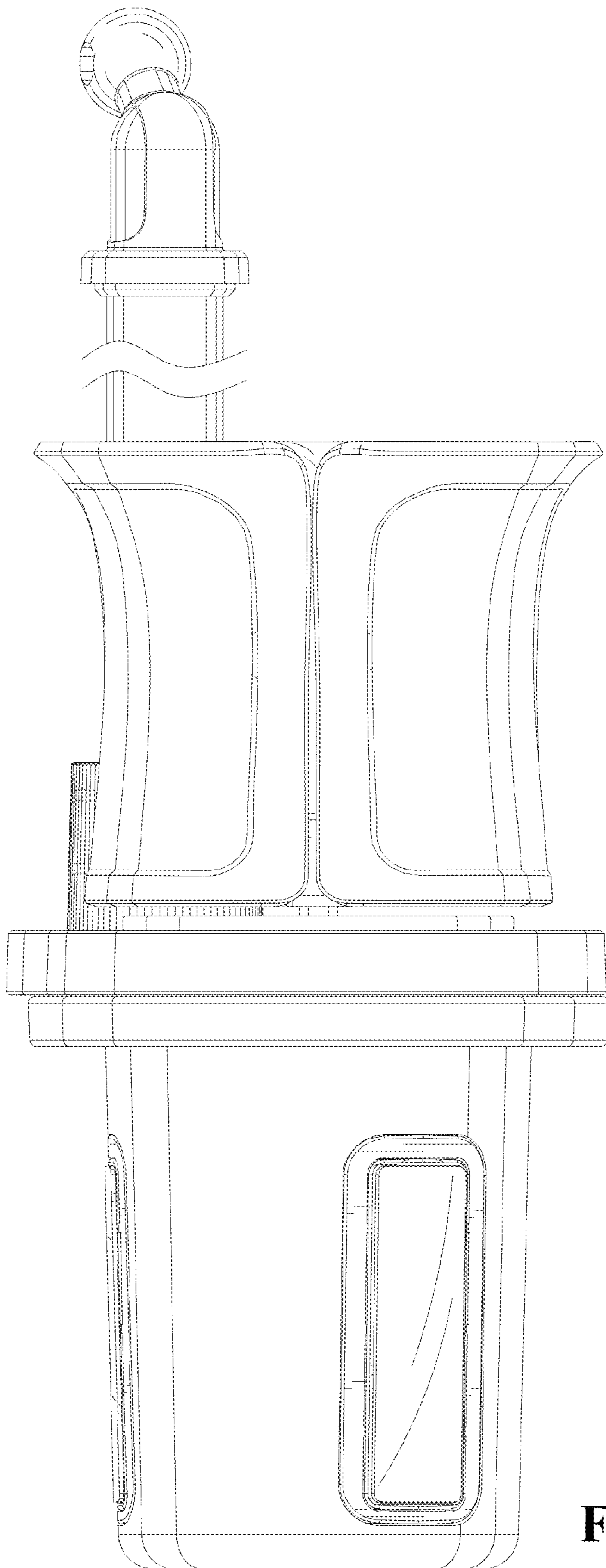


**FIG. 1**

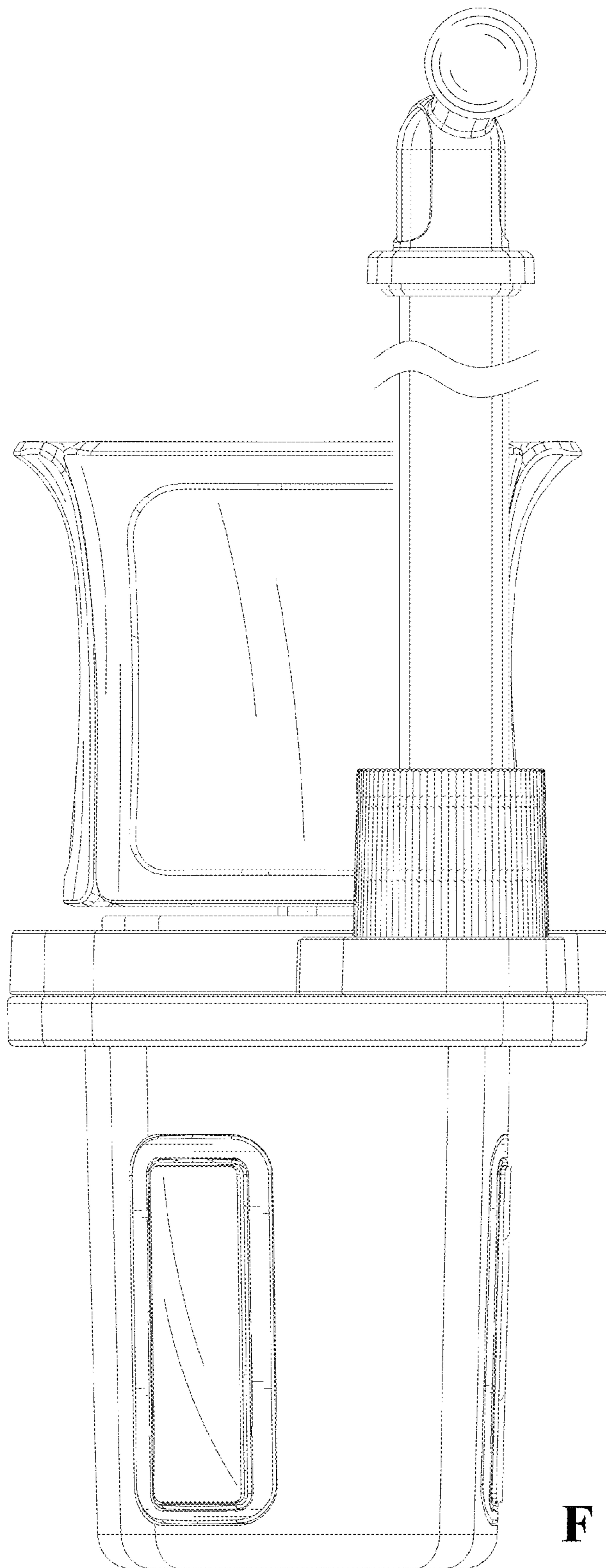




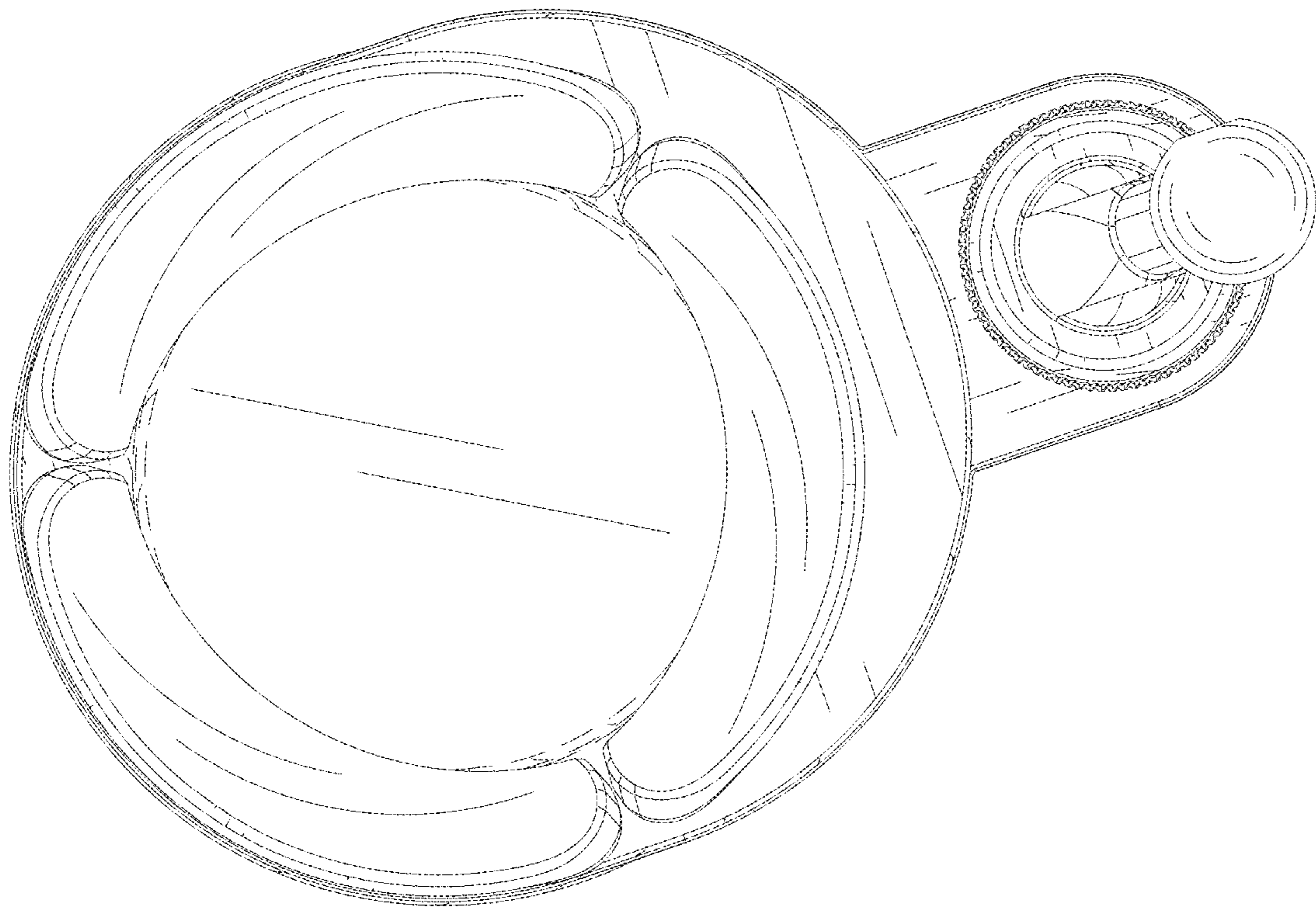
**FIG. 3**



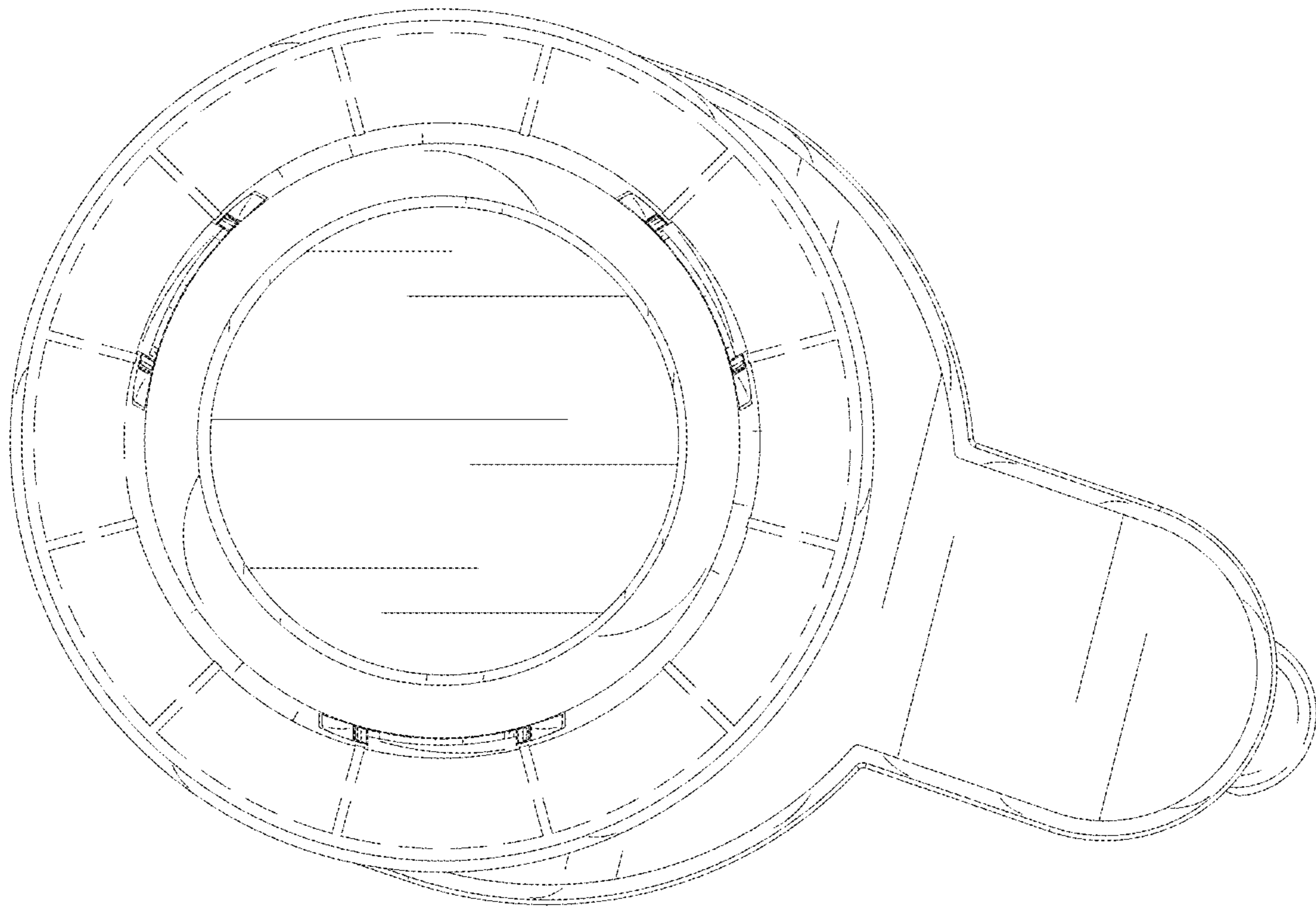
**FIG. 4**



**FIG. 5**

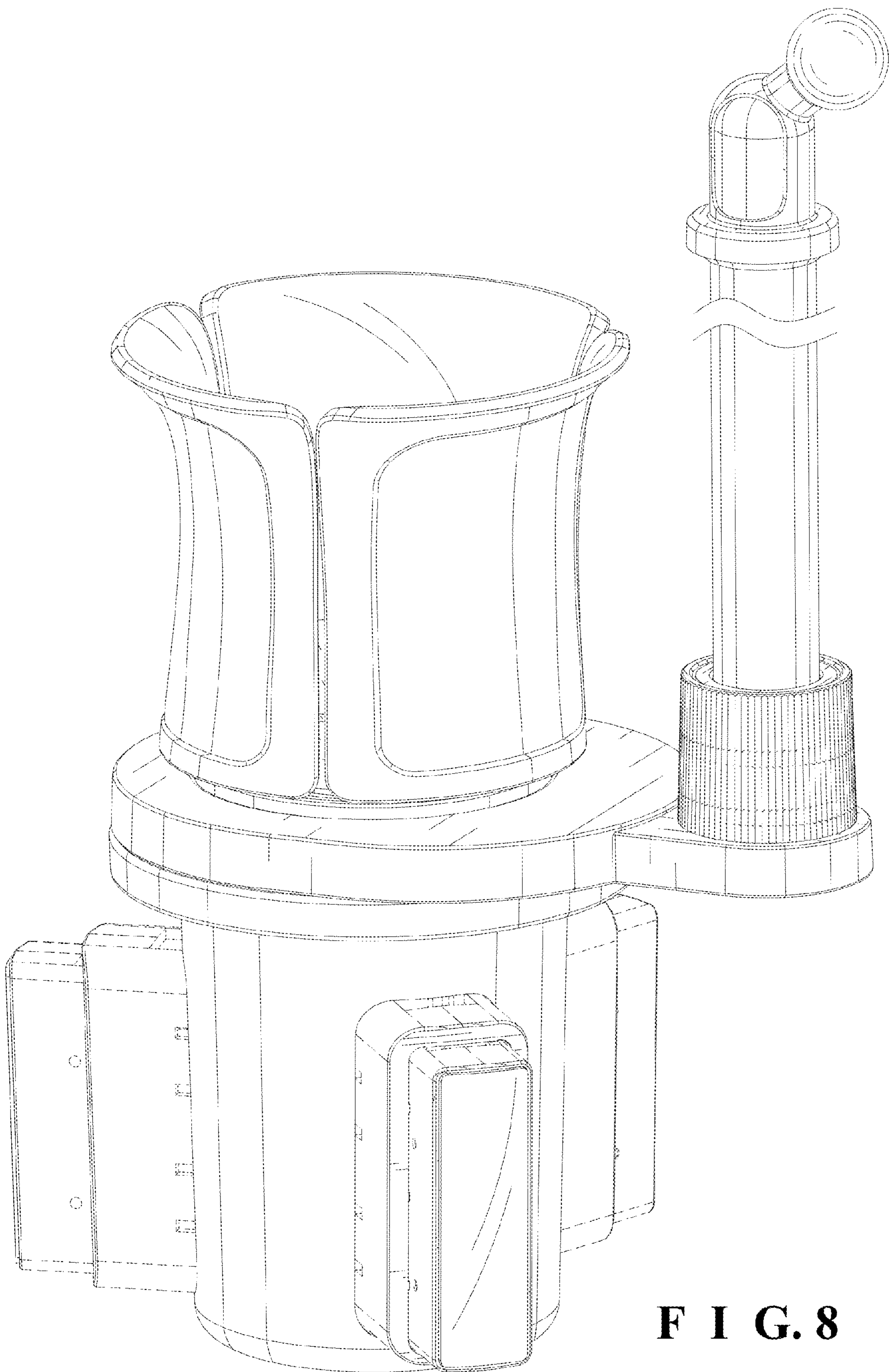


**FIG. 6**

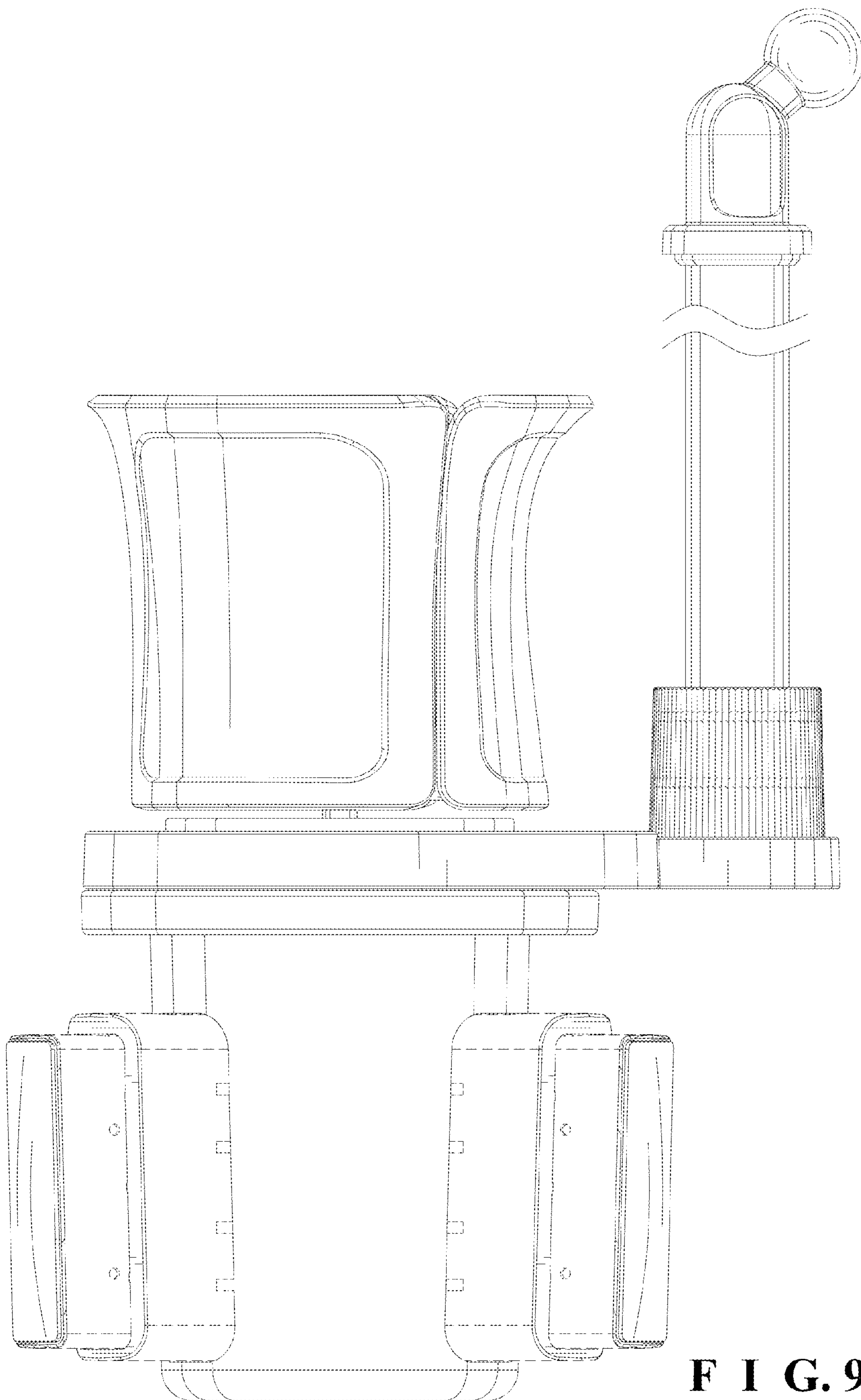


**FIG. 7**

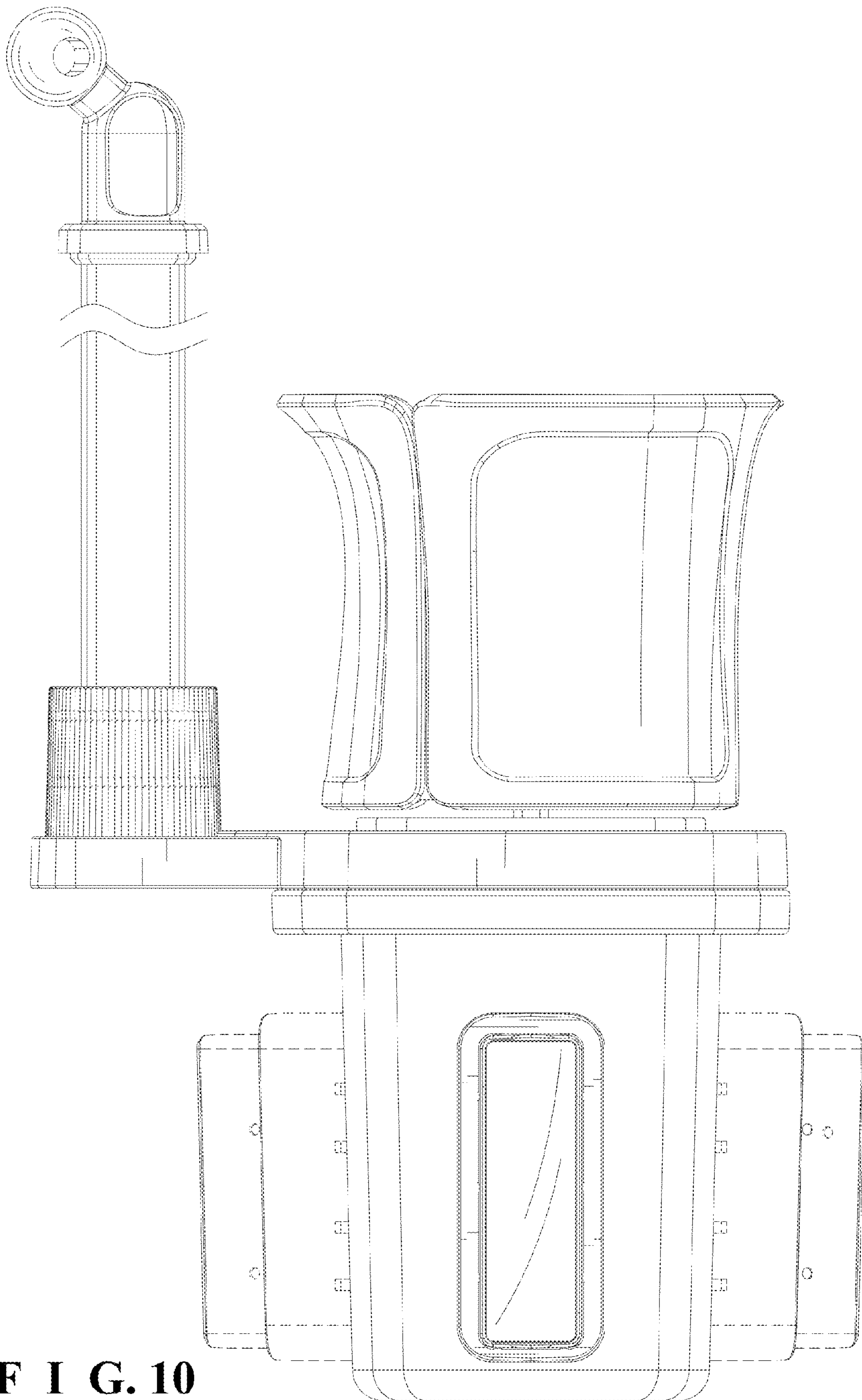




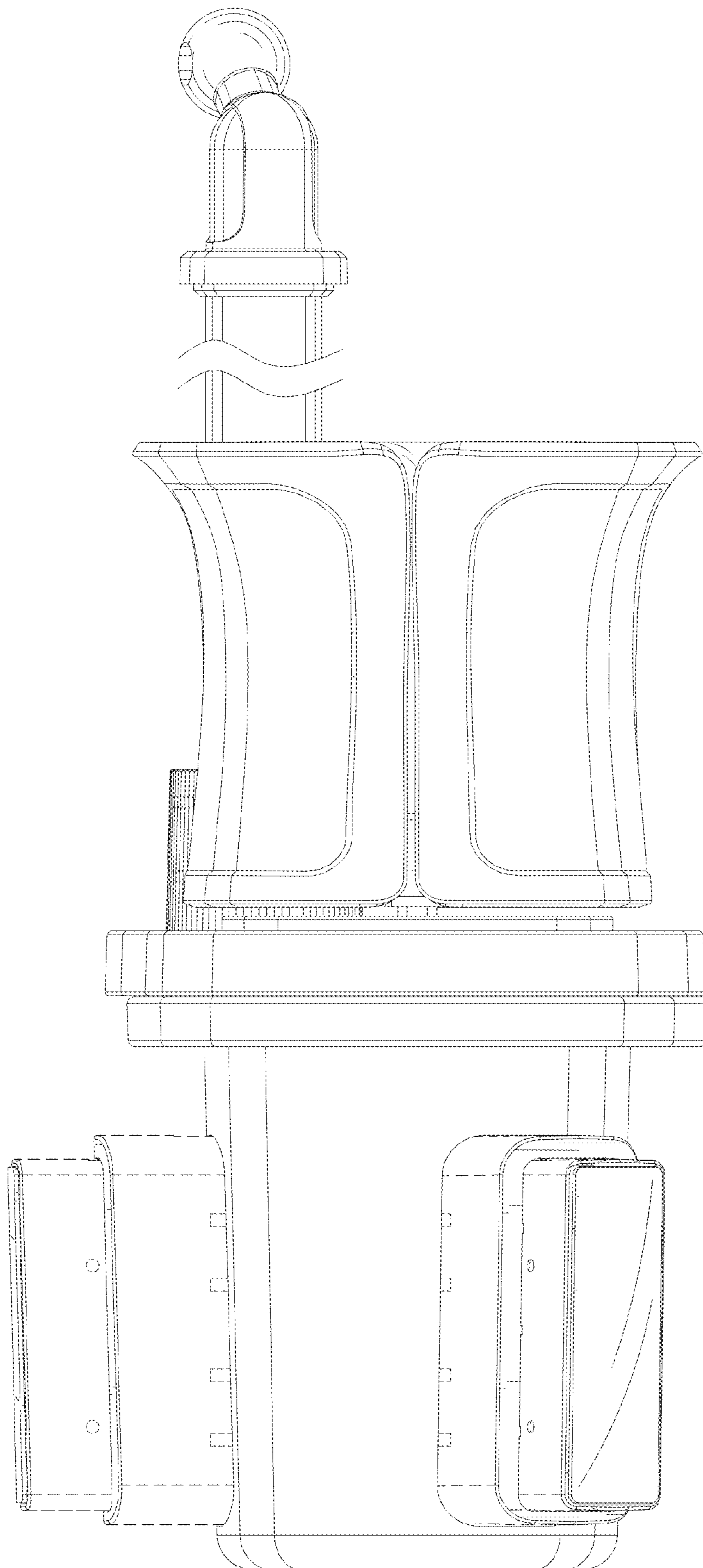
**FIG. 8**



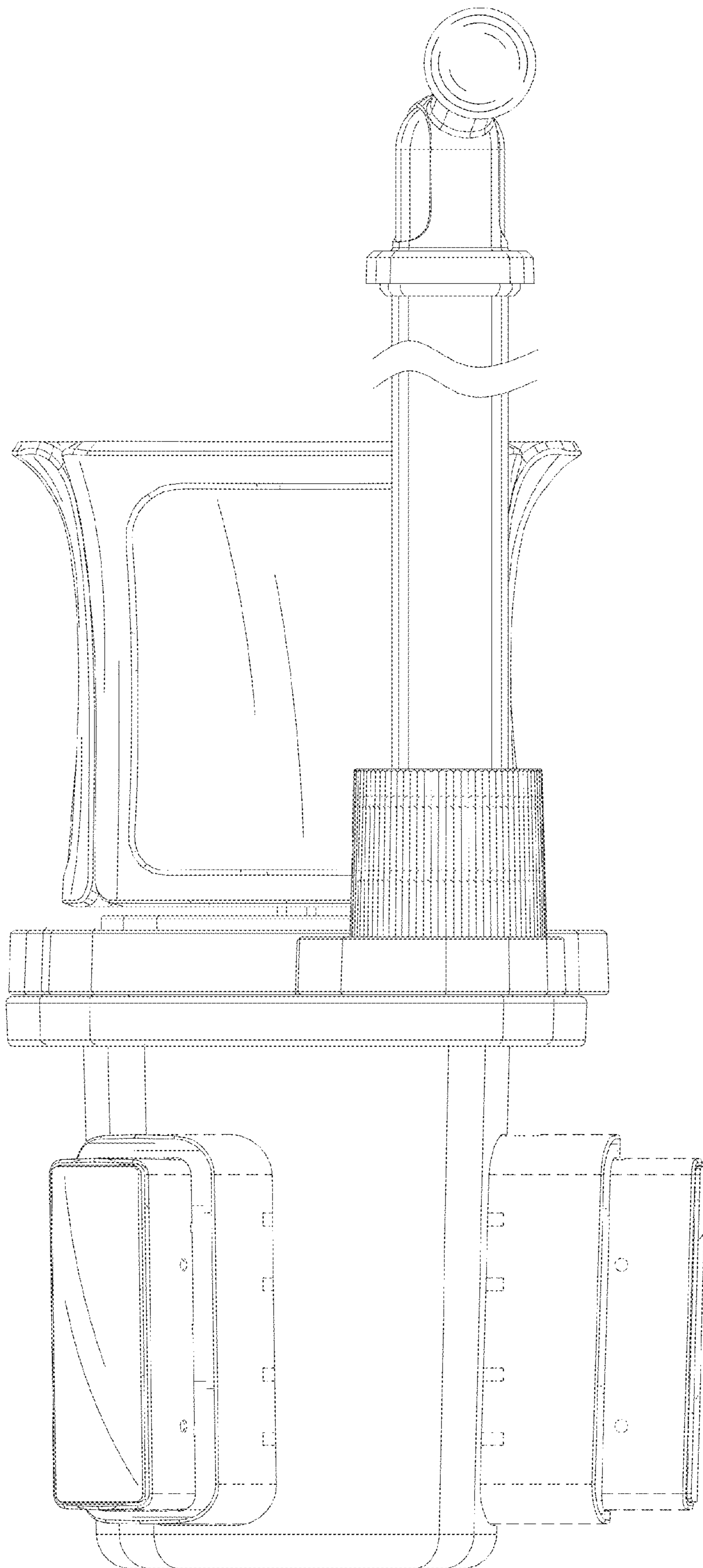
**FIG. 9**



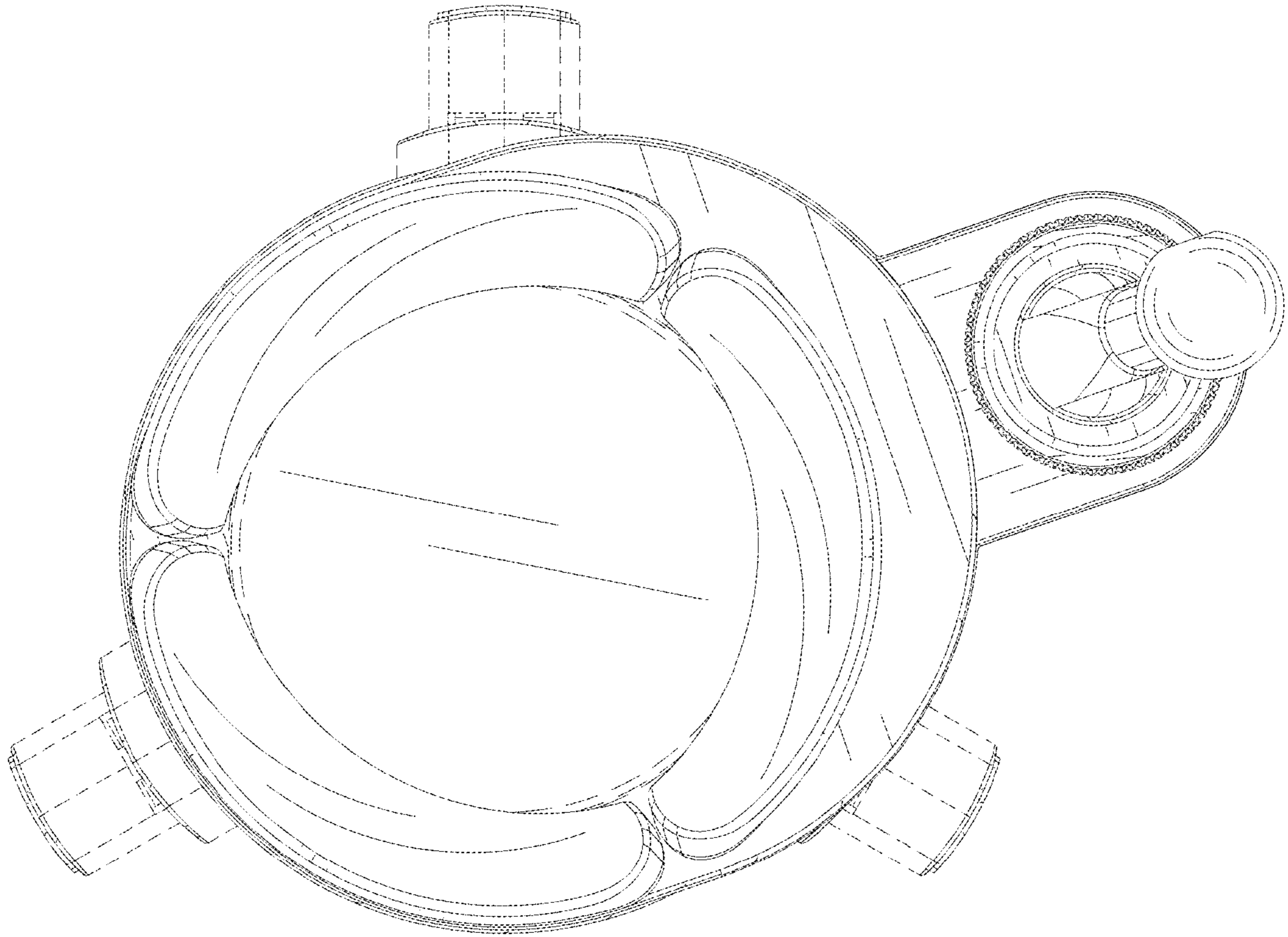
**FIG. 10**



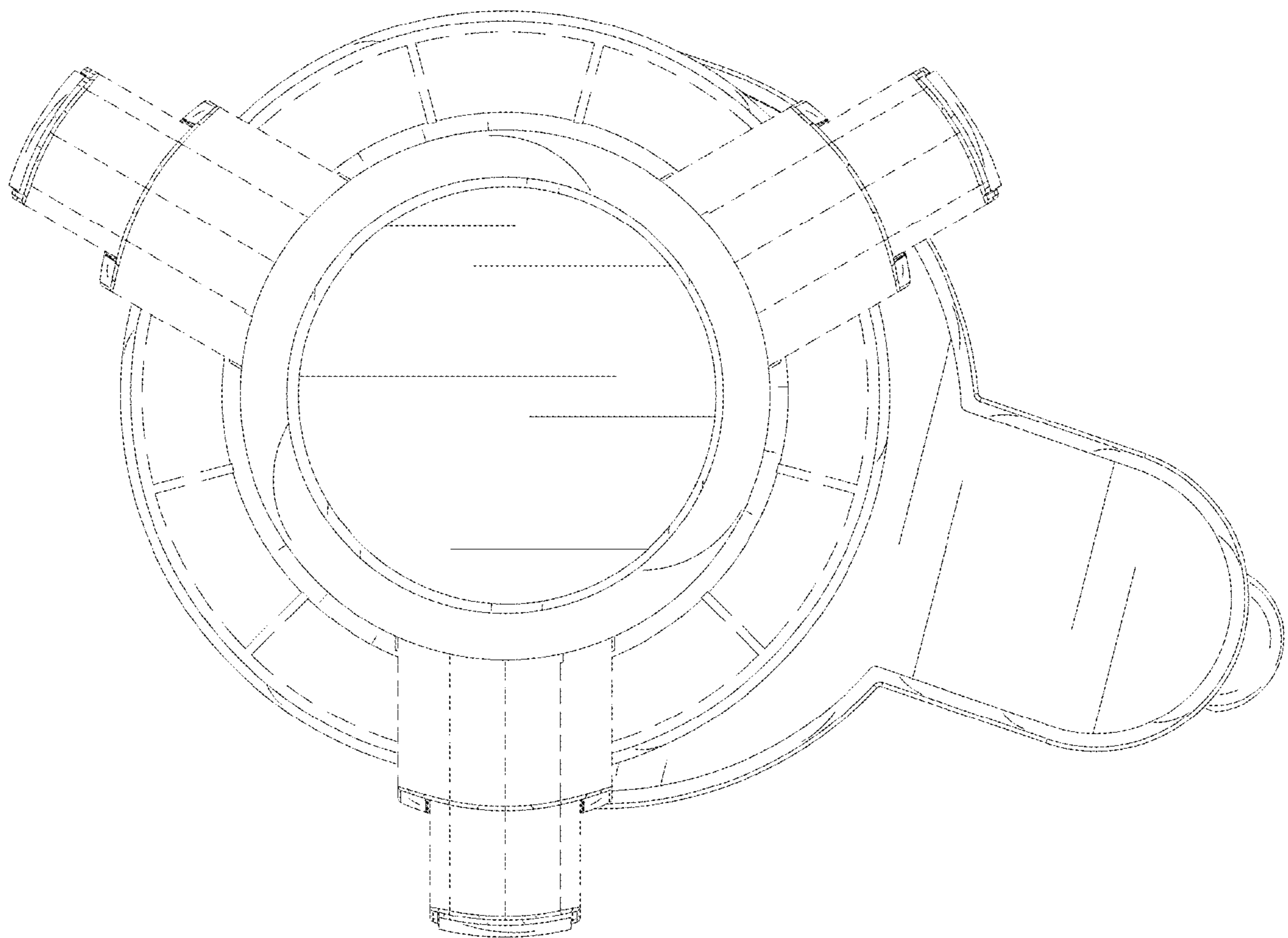
**F I G. 11**



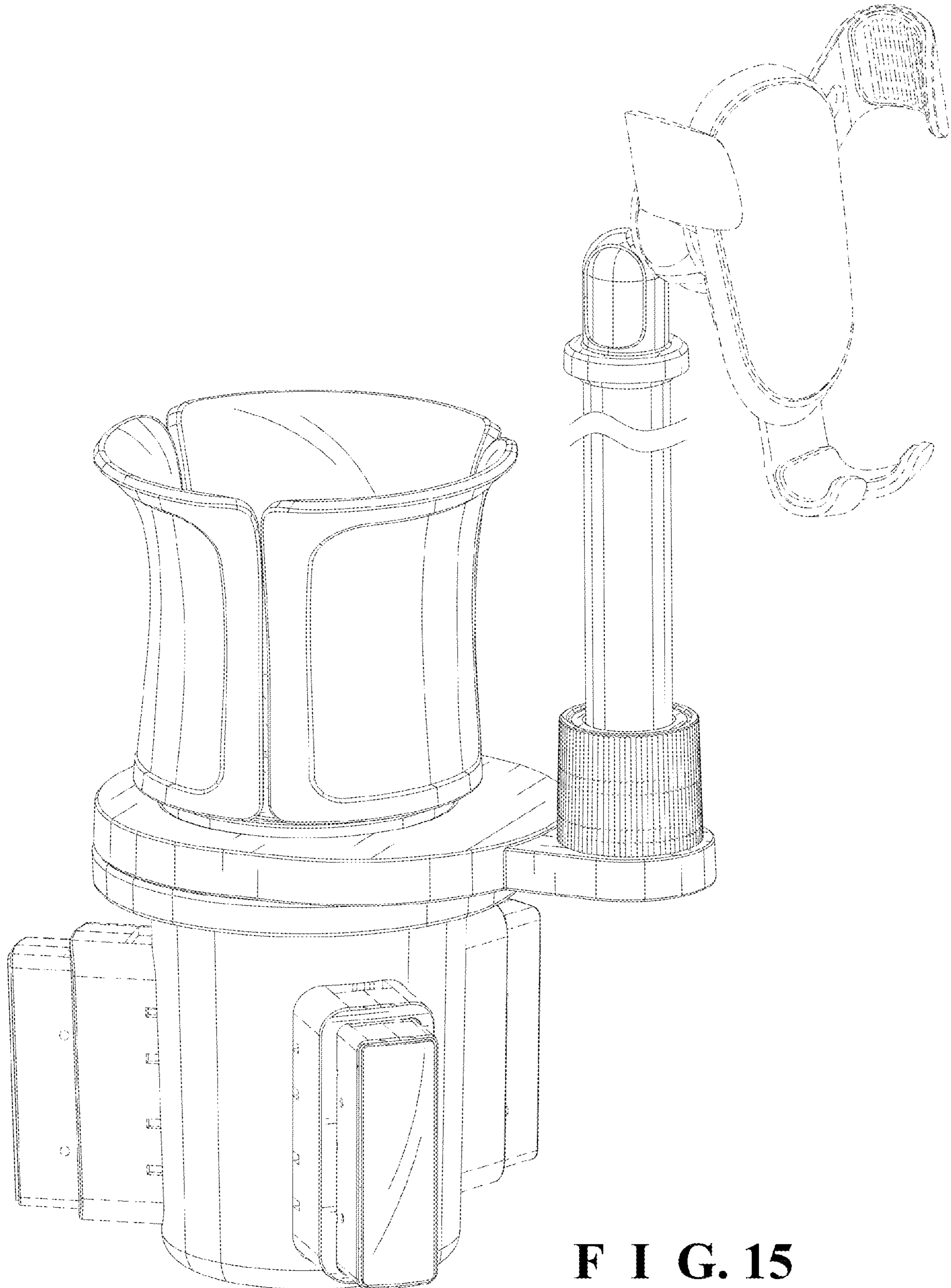
**FIG. 12**



**FIG. 13**



**FIG. 14**



**FIG. 15**