



US00D985470S

(12) **United States Design Patent** (10) **Patent No.:** **US D985,470 S**
Avila (45) **Date of Patent:** **** May 9, 2023**

(54) **TRUCK CARGO CARRIER**

(71) Applicant: **Stephen Anthony Avila**, Sanger, TX (US)

(72) Inventor: **Stephen Anthony Avila**, Sanger, TX (US)

(**) Term: **15 Years**

(21) Appl. No.: **29/783,465**

(22) Filed: **May 13, 2021**

Related U.S. Application Data

(63) Continuation-in-part of application No. 15/158,081, filed on May 18, 2016, now Pat. No. 11,034,391.

(51) **LOC (14) Cl.** **12-16**

(52) **U.S. Cl.**
USPC **D12/414.1**

(58) **Field of Classification Search**
USPC ... D12/414.1, 414, 413, 412, 221, 406, 157, D12/423, 414.4; D6/552, 317-319, D6/513-514; D3/304-306; D32/35, 58
CPC B60R 7/02; B60R 9/04; B60R 9/055
See application file for complete search history.

(56) **References Cited**

U.S. PATENT DOCUMENTS

D816,587 S *	5/2018	Perkins	D12/414.1
D817,855 S *	5/2018	Velie	D12/414.1
D843,923 S *	3/2019	Floyd	D12/414.1
D864,089 S *	10/2019	Dorminey	D12/414.1
D912,607 S *	3/2021	Yu	D12/414
D927,364 S *	8/2021	Zappa	D12/114

(Continued)

Primary Examiner — Katrina A Betton

(74) *Attorney, Agent, or Firm* — Kevin Mark Klughart

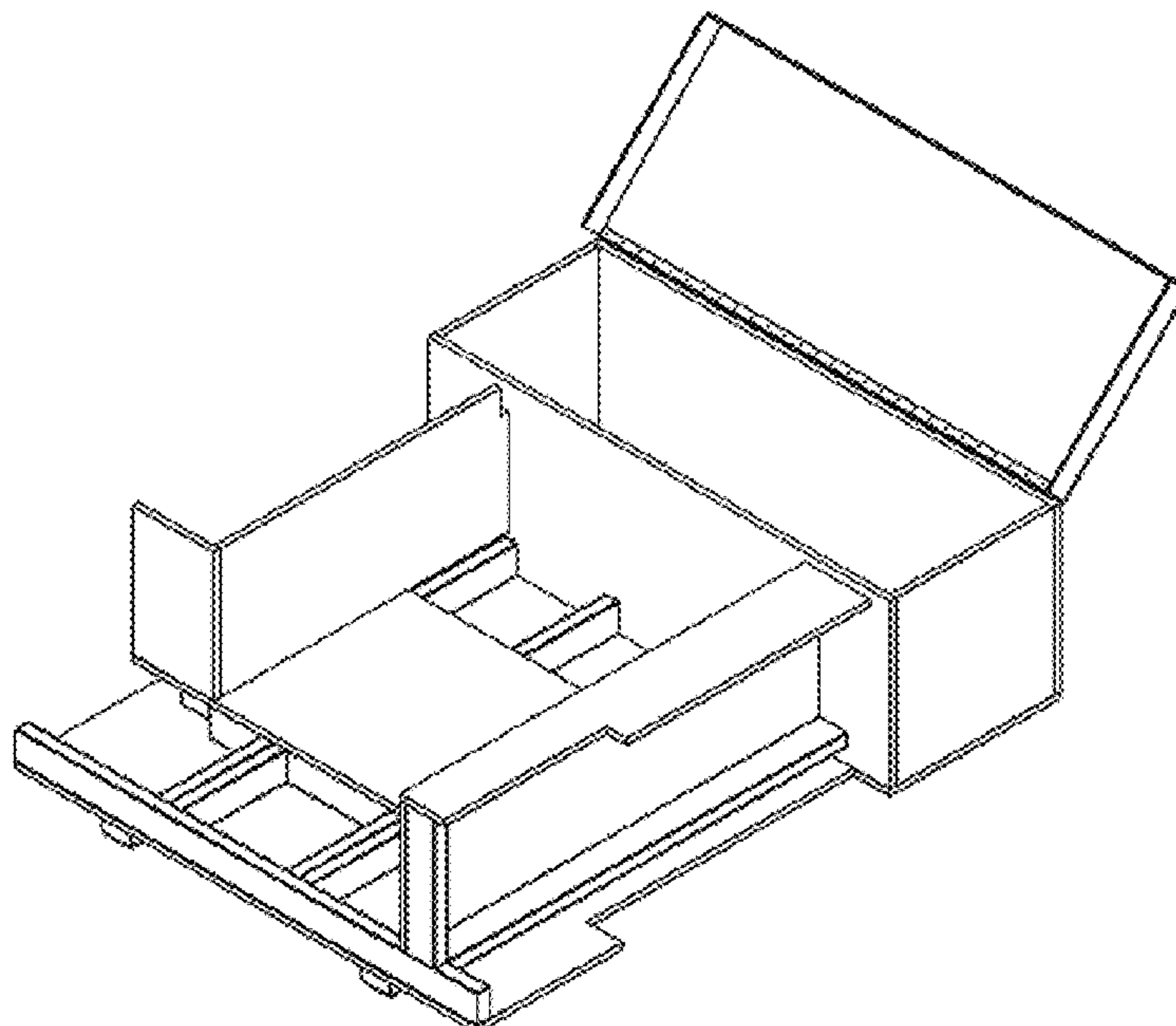
(57) **CLAIM**

The ornamental design for a truck cargo carrier, as shown and described.

DESCRIPTION

FIG. 1 is a front view of a truck cargo carrier showing my new design;
 FIG. 2 is a rear view thereof;
 FIG. 3 is a right view thereof;
 FIG. 4 is a left view thereof;
 FIG. 5 is a top view thereof;
 FIG. 6 is a bottom view thereof;
 FIG. 7 is a top right front isometric perspective detail view thereof;
 FIG. 8 is a bottom right rear isometric perspective detail view thereof;
 FIG. 9 is a top front side perspective view thereof;
 FIG. 10 is a top right front isometric perspective view thereof;
 FIG. 11 is a top right side perspective view thereof;
 FIG. 12 is a top right rear isometric perspective view thereof;
 FIG. 13 is a top rear side perspective view thereof;
 FIG. 14 is a top left rear isometric perspective view thereof;
 FIG. 15 is a top left side perspective view thereof;
 FIG. 16 is a top left front isometric perspective view thereof;
 FIG. 17 is a bottom front side perspective view thereof;
 FIG. 18 is a bottom right front isometric perspective view thereof;
 FIG. 19 is a bottom right side perspective view thereof;
 FIG. 20 is a bottom right rear isometric perspective view thereof;
 FIG. 21 is a bottom rear side perspective view thereof;
 FIG. 22 is a bottom left rear isometric perspective view thereof;
 FIG. 23 is a bottom left side perspective view thereof; and,
 FIG. 24 is a bottom left front isometric perspective view thereof.

1 Claim, 24 Drawing Sheets



(56)

References Cited

U.S. PATENT DOCUMENTS

D929,306	S *	8/2021	Hatcher	D12/413
11,208,050	B1 *	12/2021	Baranda	B60R 9/06
D953,236	S *	5/2022	Su	D12/414.1
D972,351	S *	12/2022	Liu	D6/698
11,535,166	B1 *	12/2022	Huang	B60R 9/045
2021/0170954	A1 *	6/2021	Treptow	B60R 9/055
2023/0032110	A1 *	2/2023	Neesham	B60R 9/055

* cited by examiner

FIG. 1

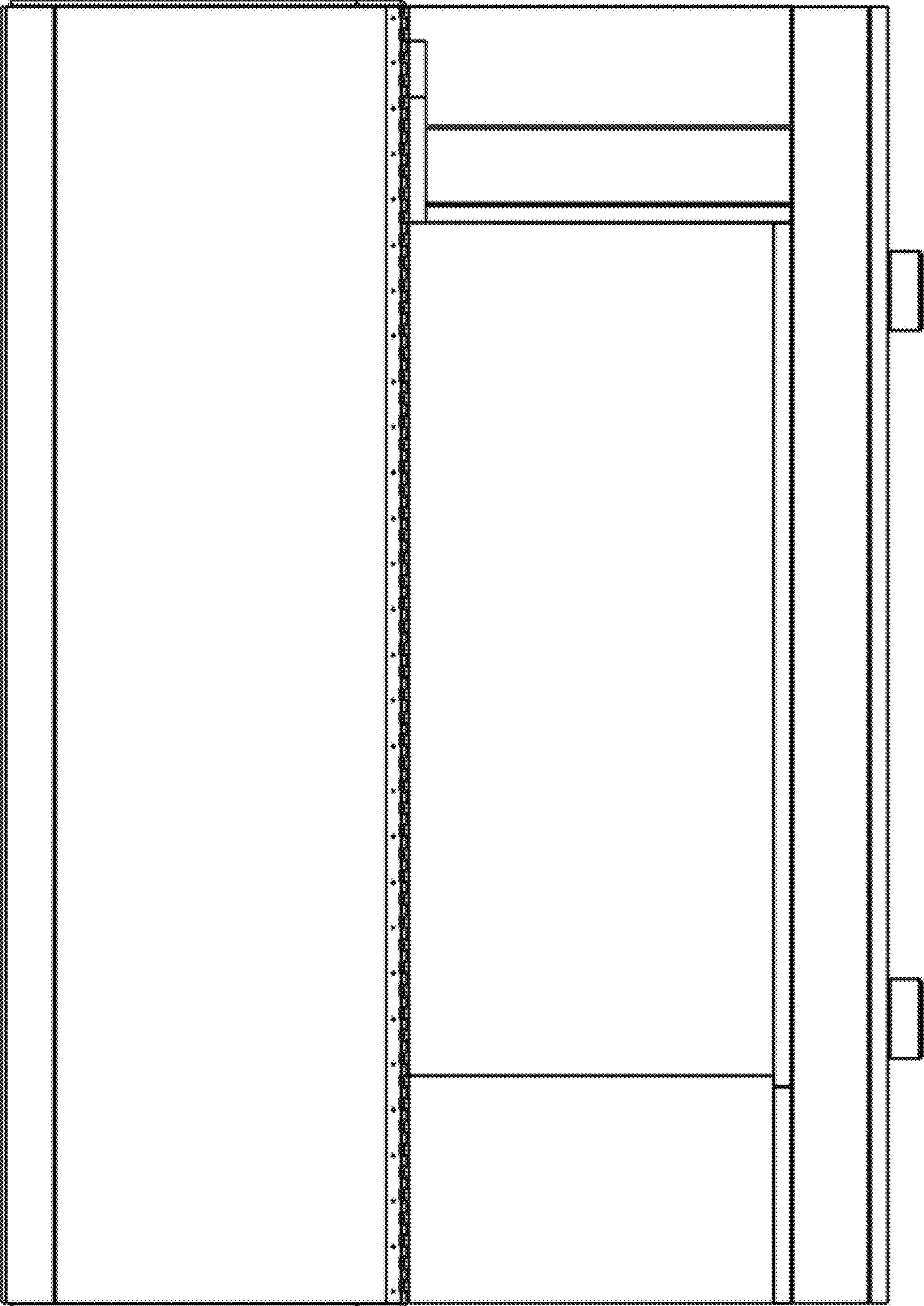


FIG. 2

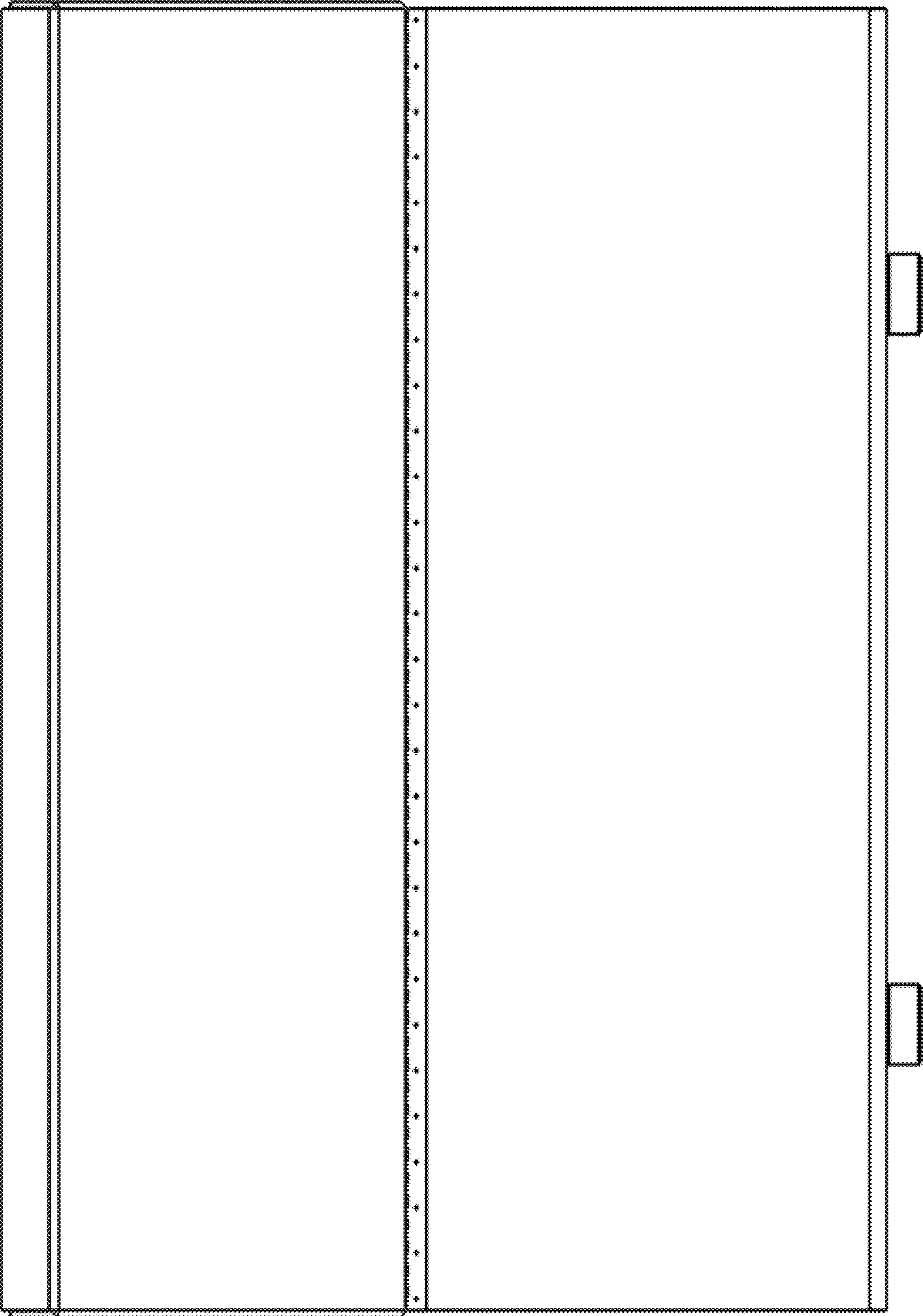


FIG. 3

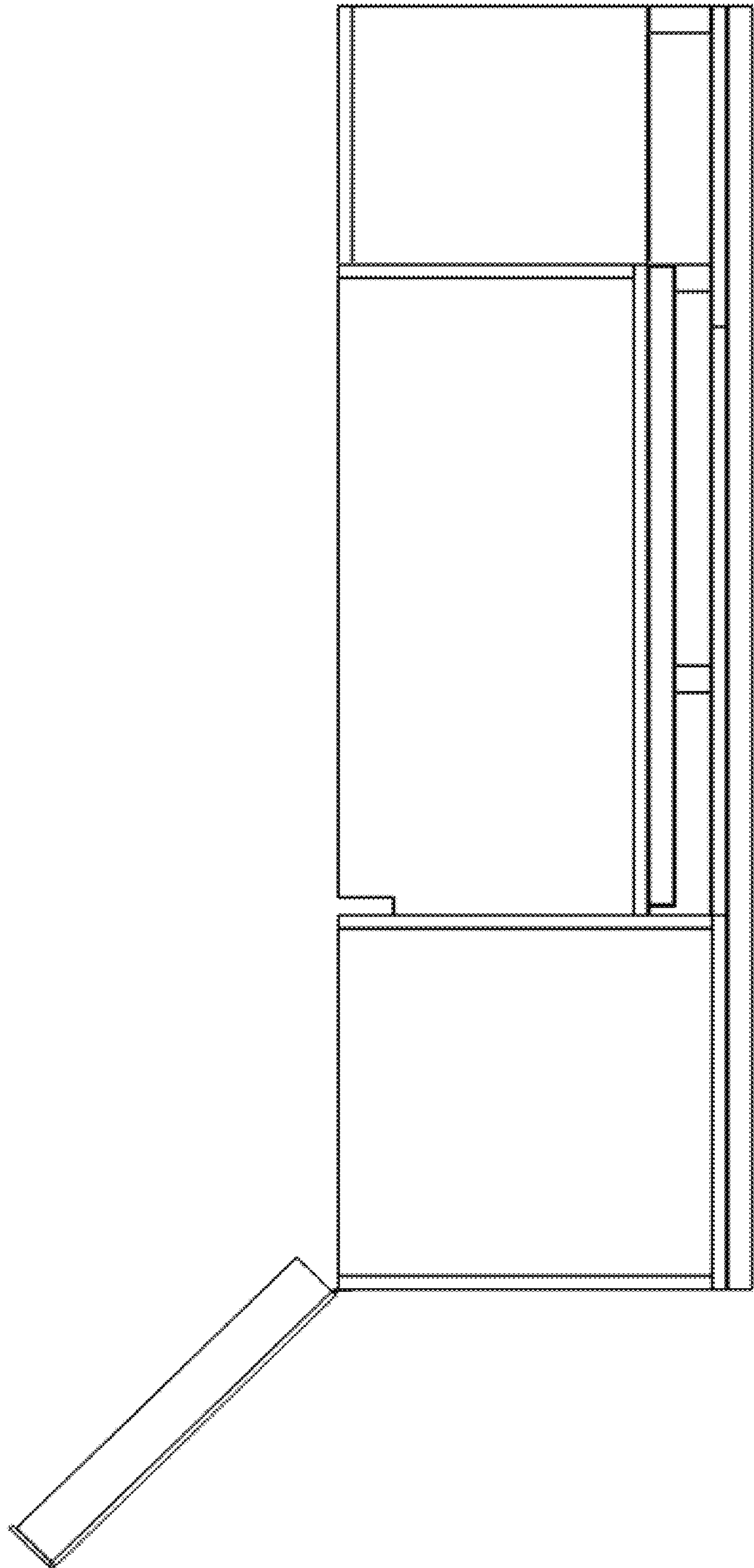


FIG. 4

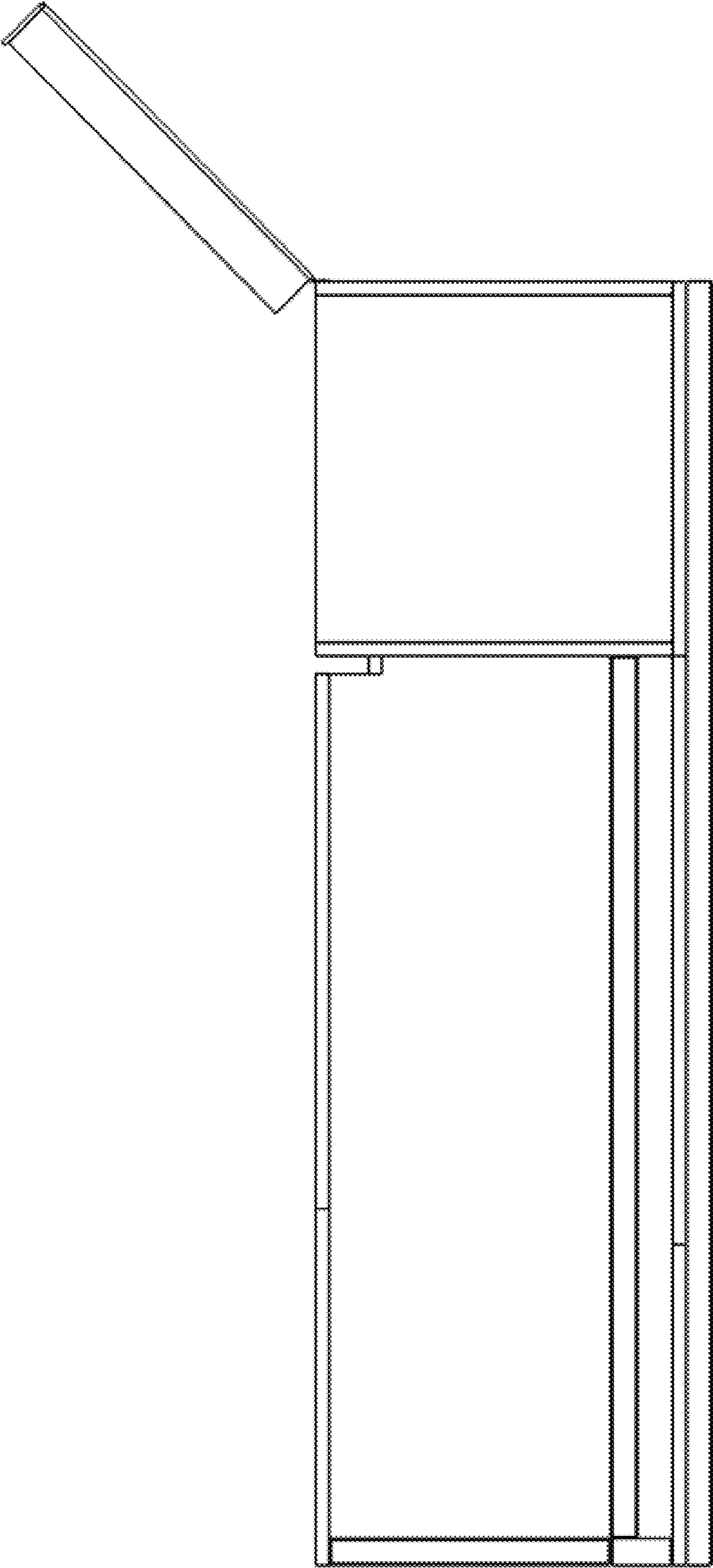


FIG. 5

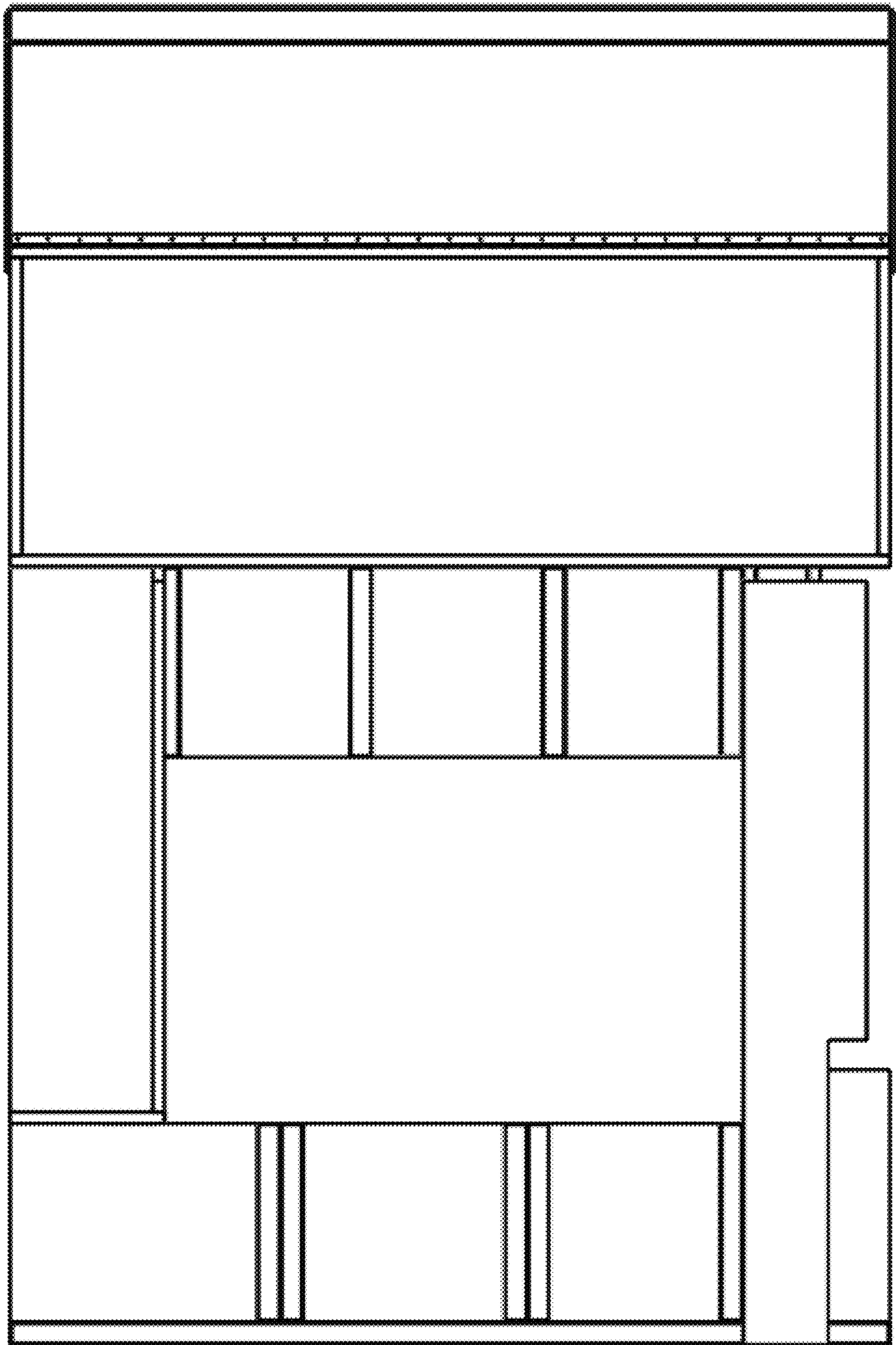


FIG. 6

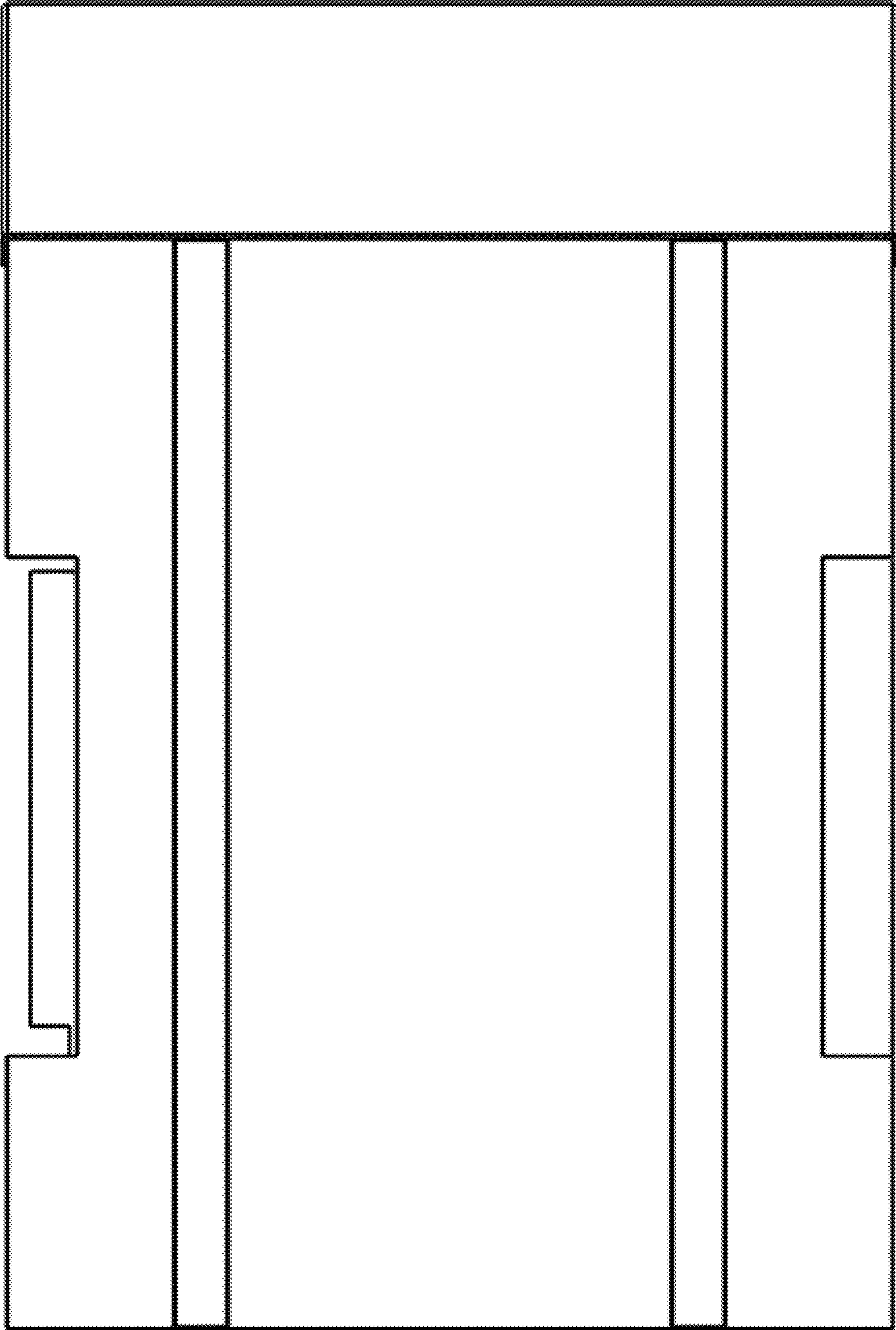


FIG. 7

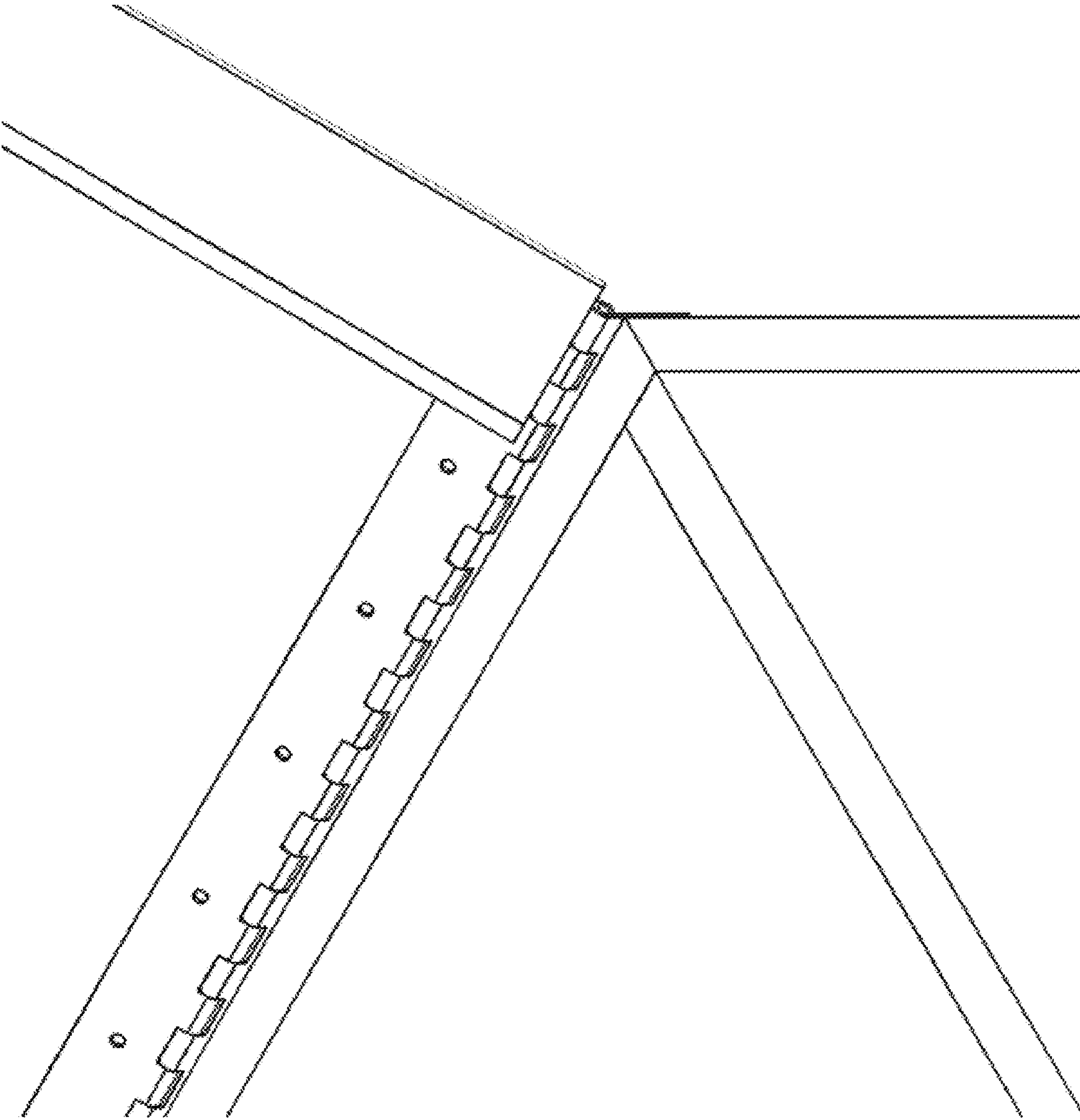


FIG. 8

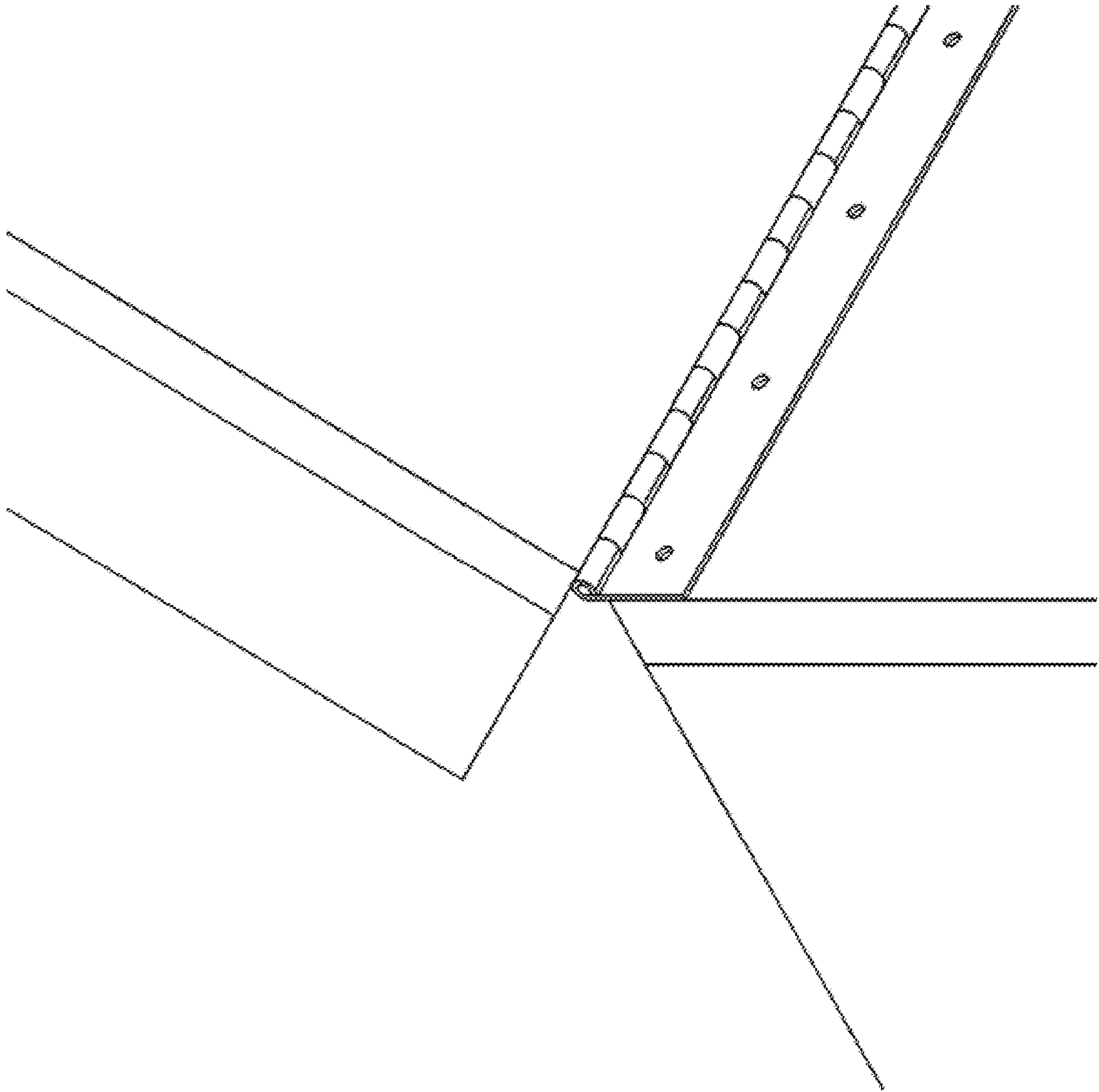


FIG. 9

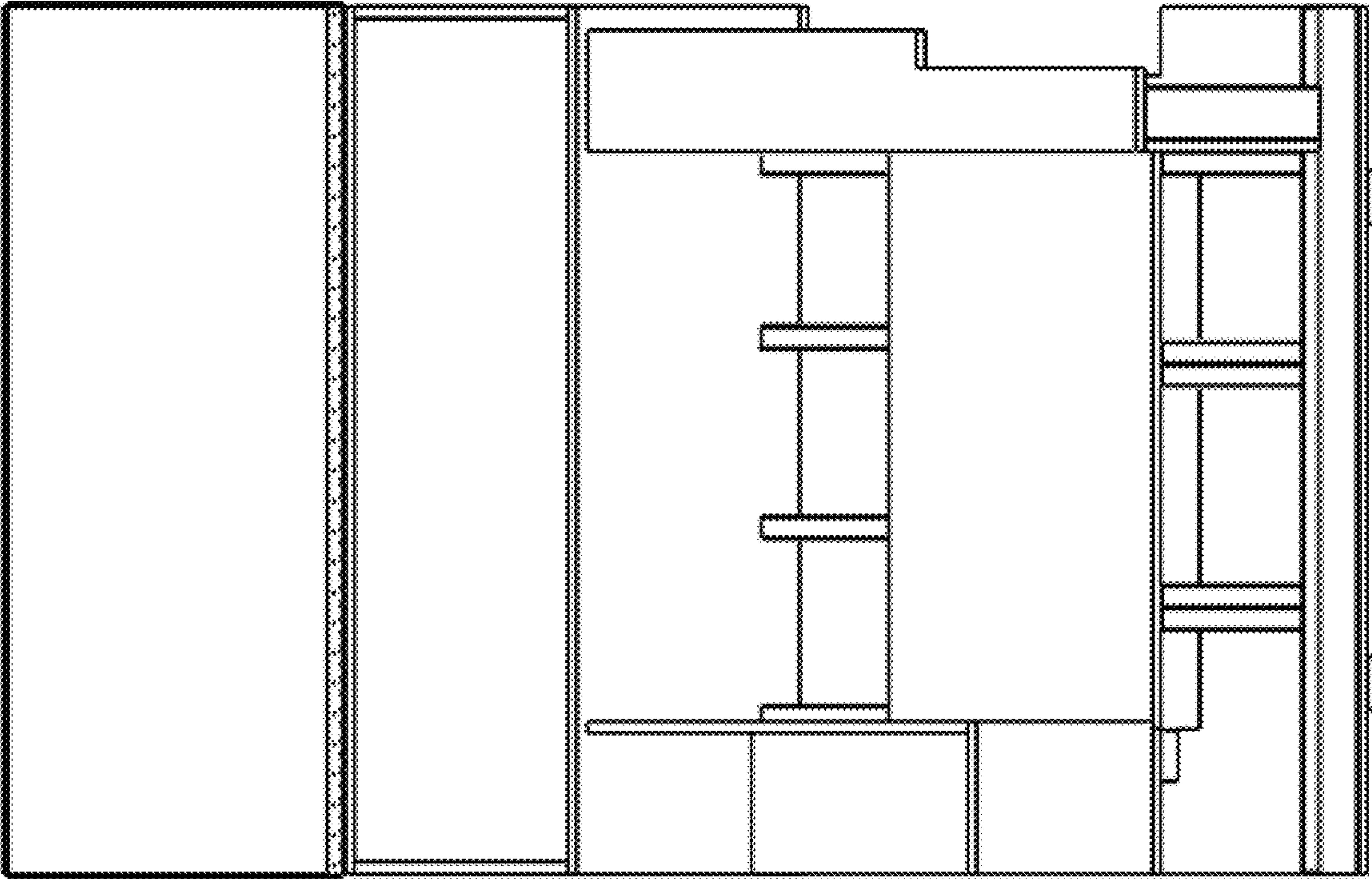


FIG. 10

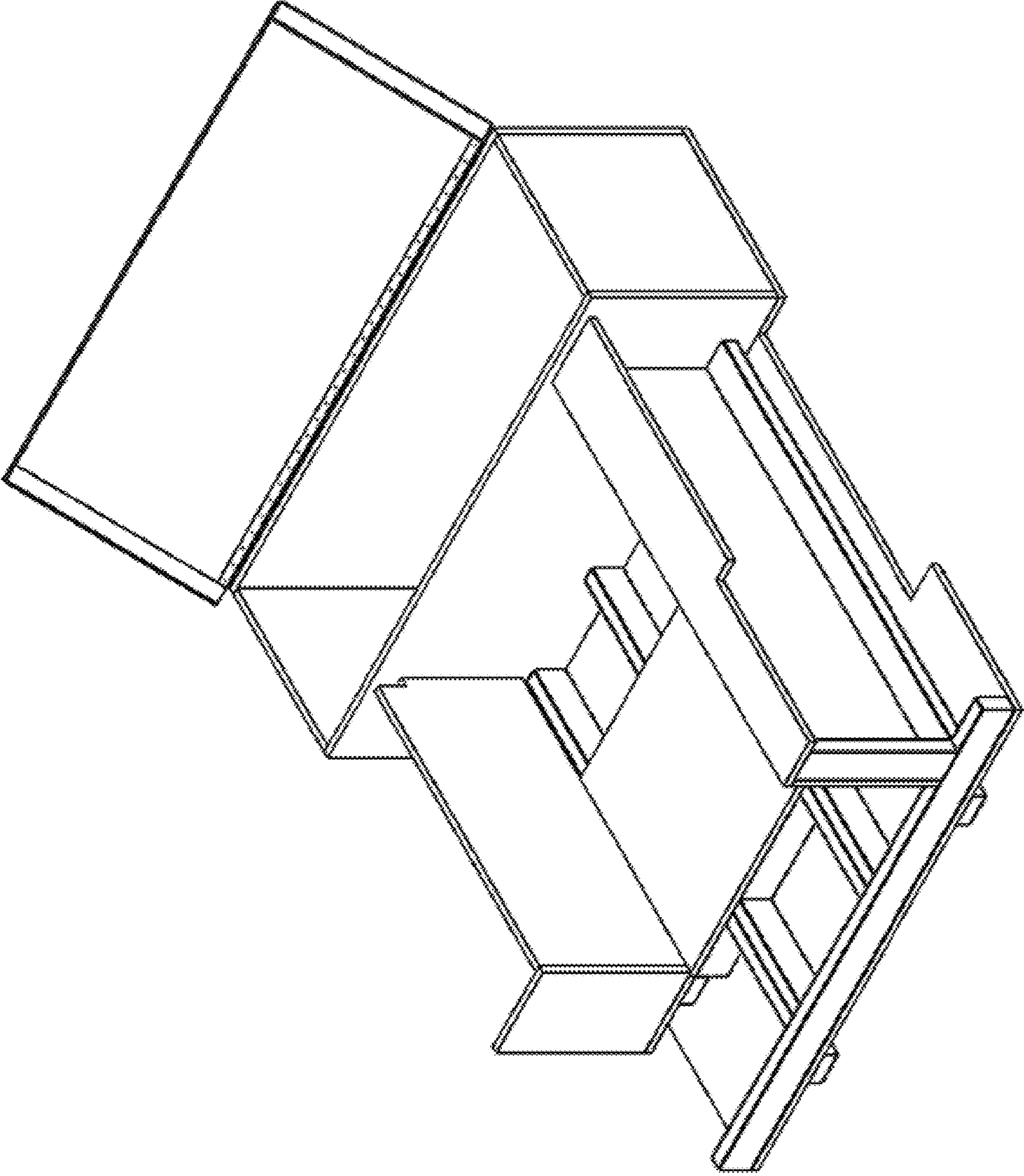


FIG. 11

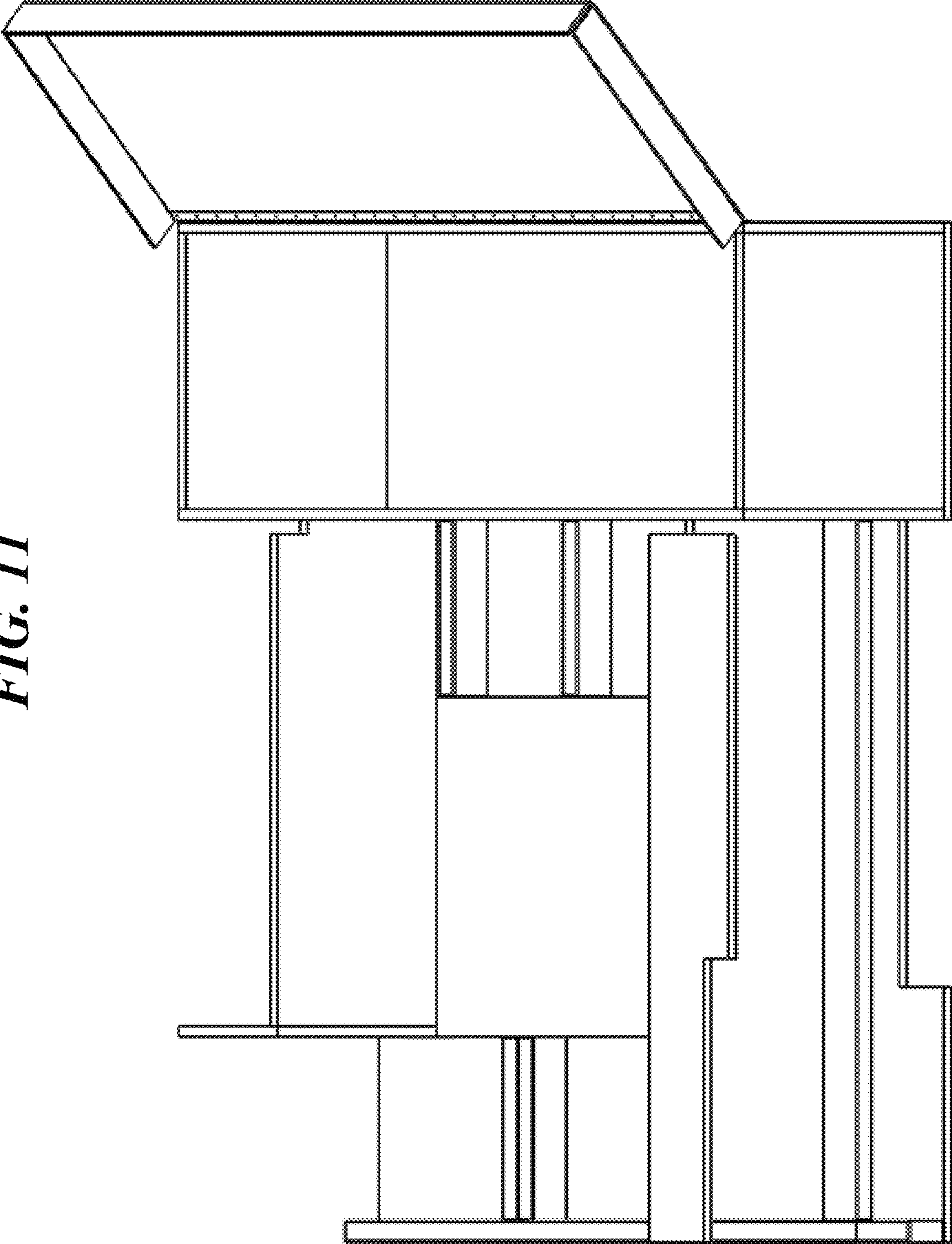


FIG. 12

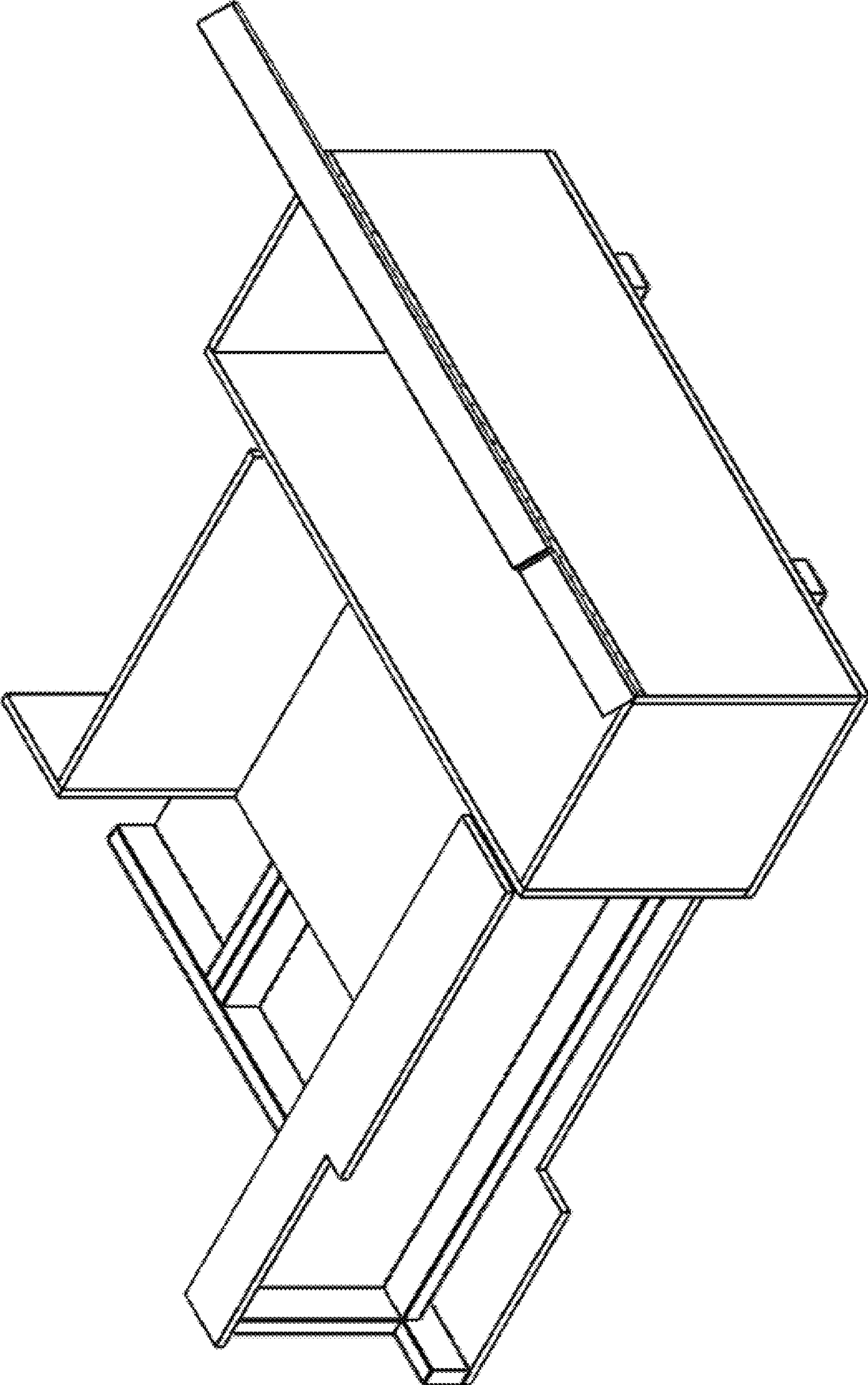


FIG. 13

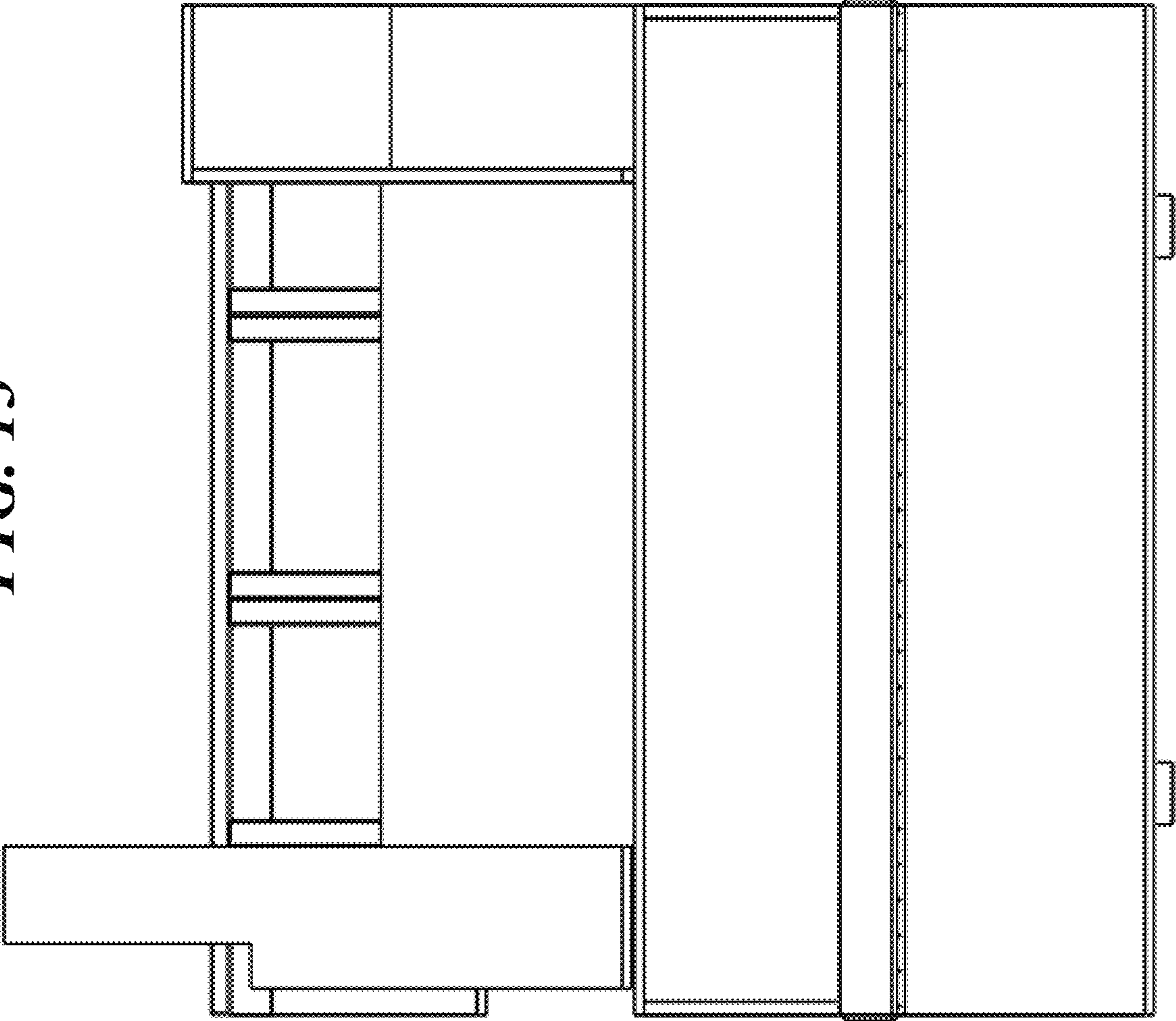


FIG. 14

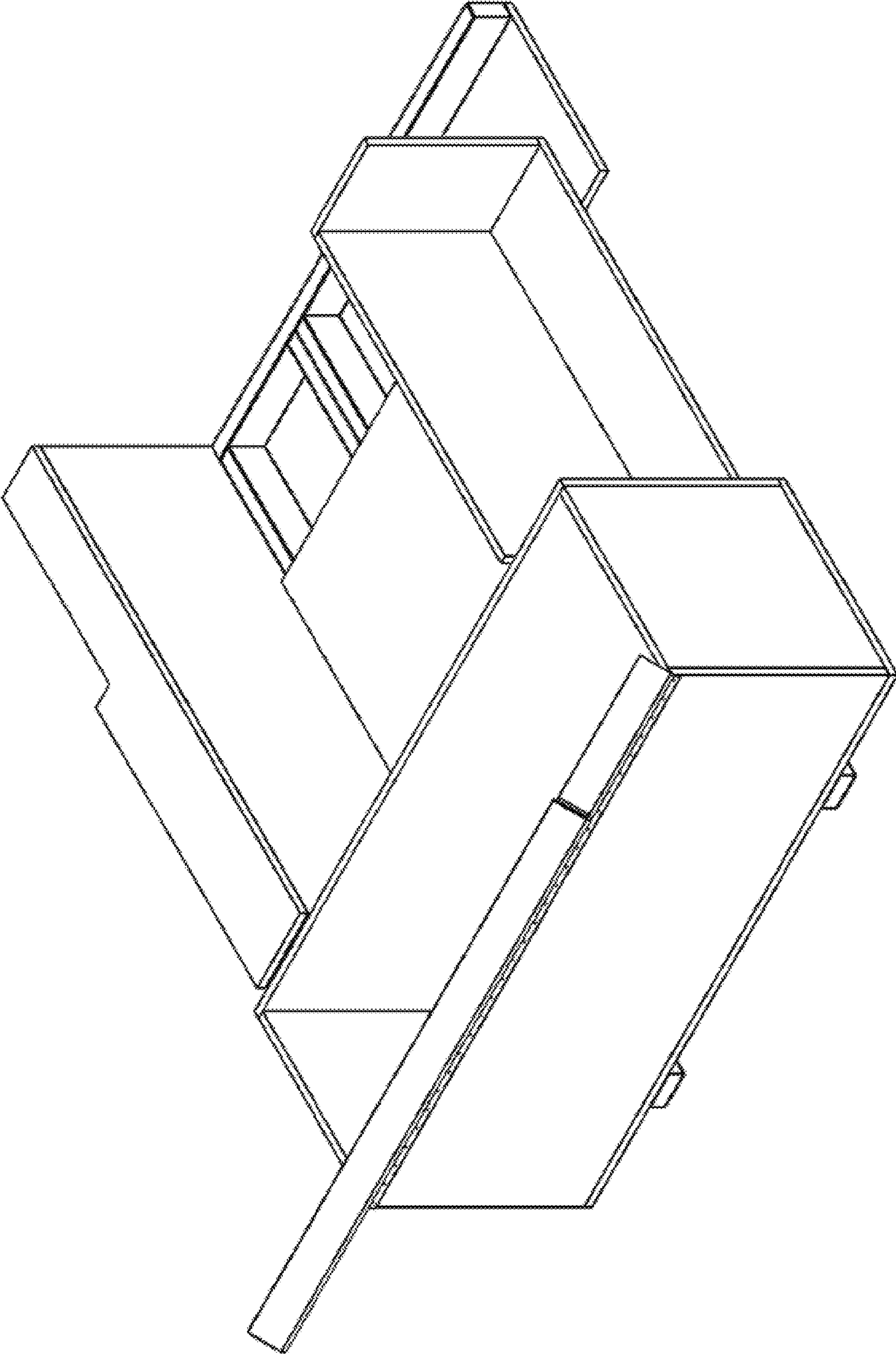


FIG. 15

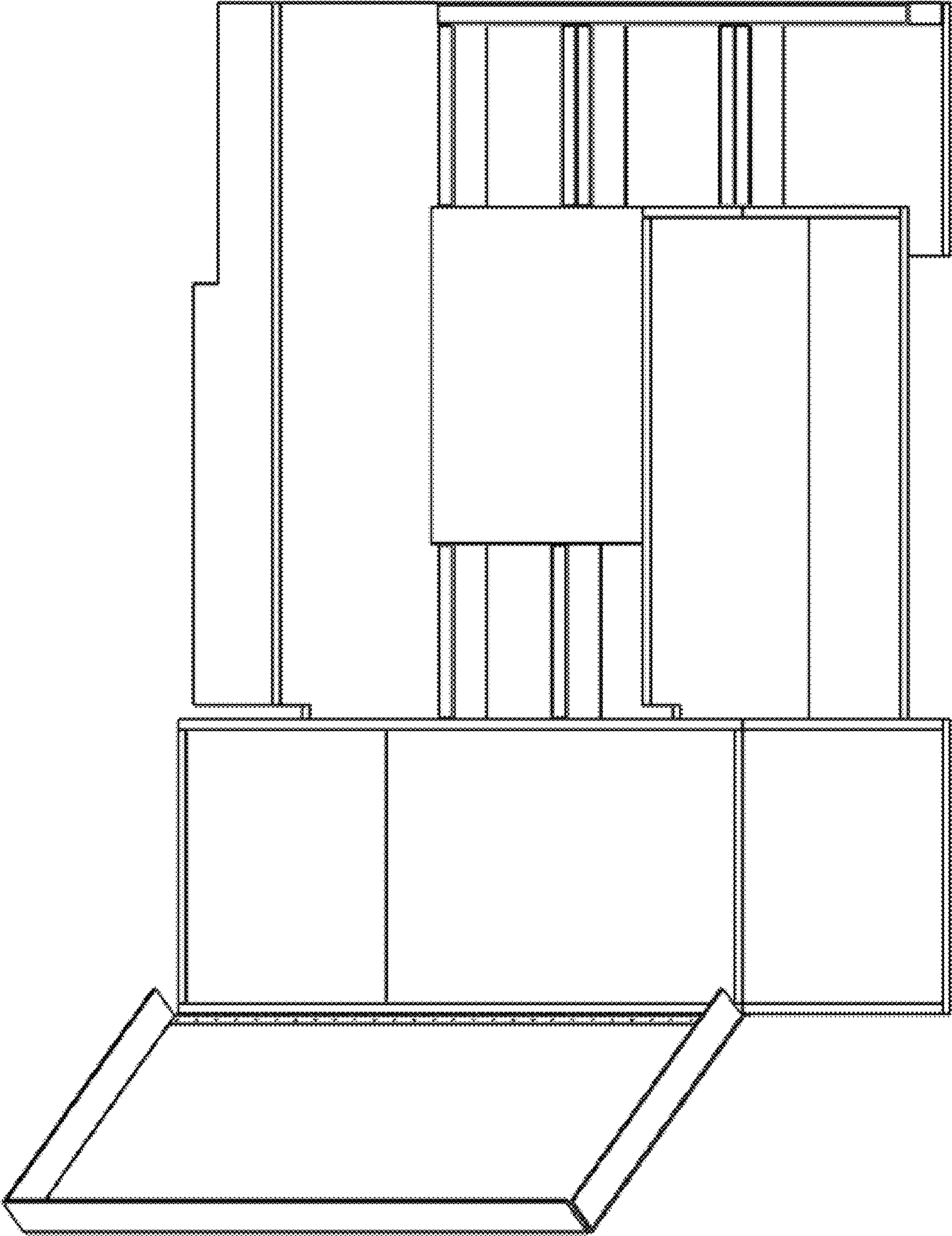


FIG. 16

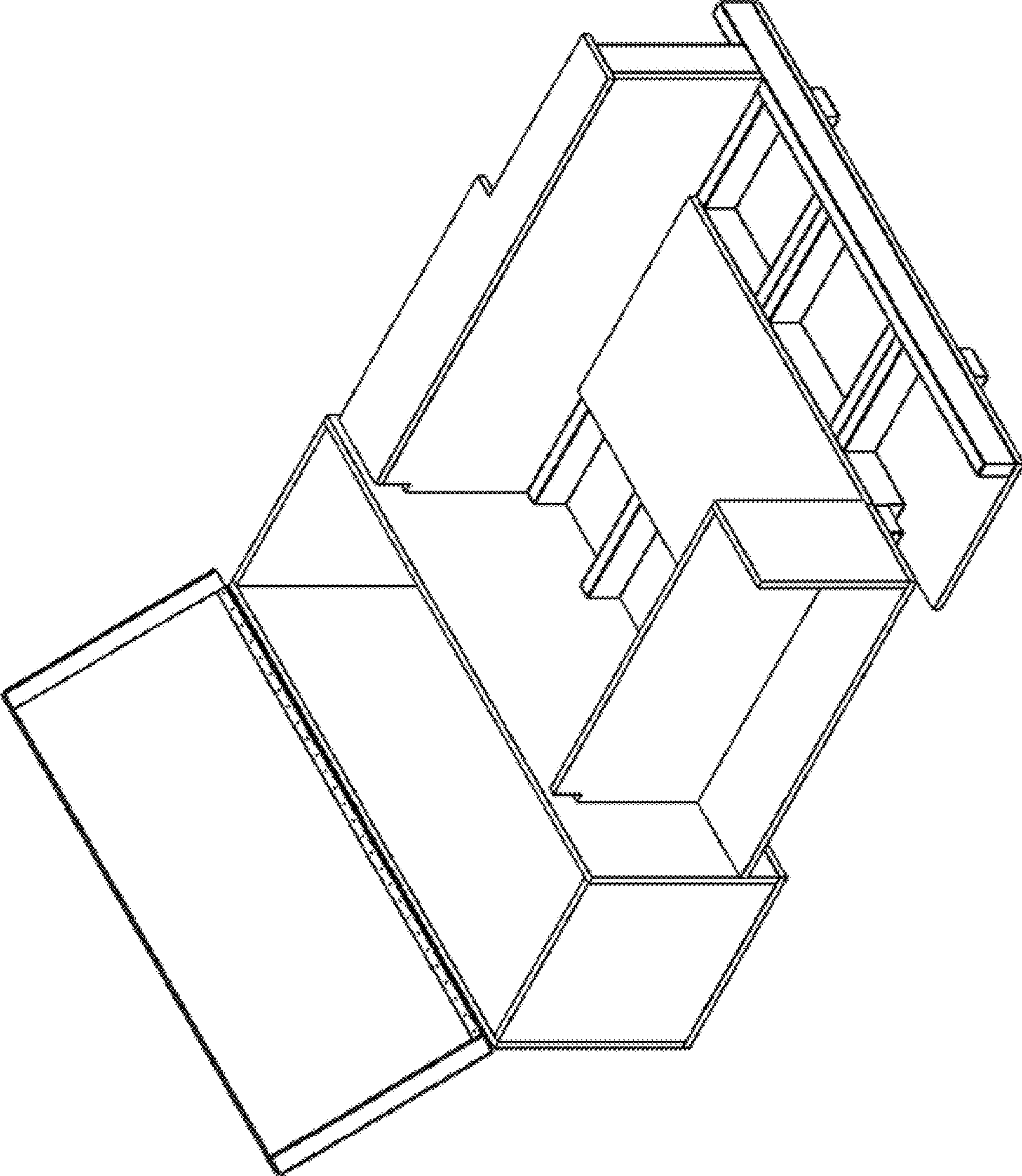


FIG. 17

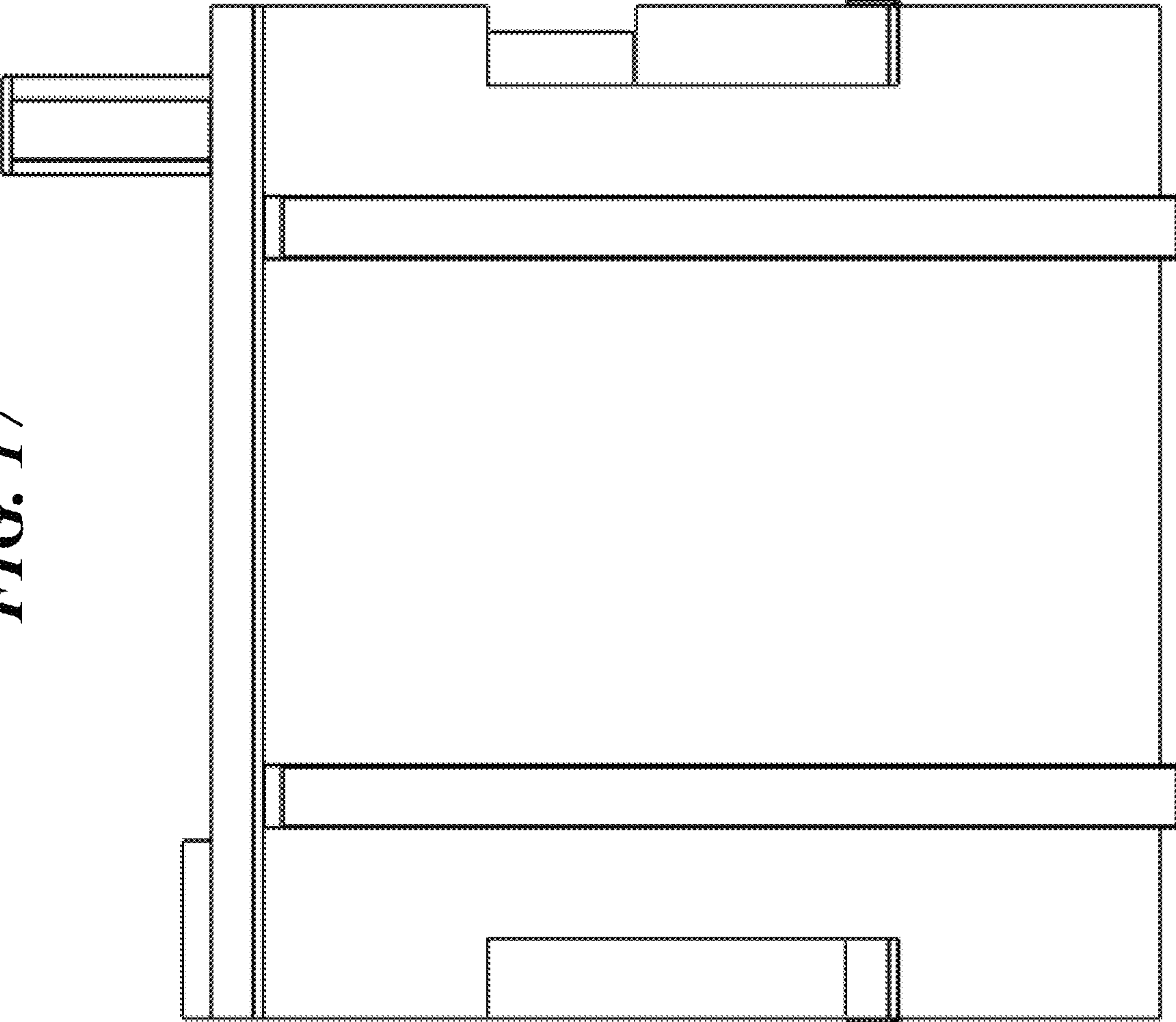


FIG. 18

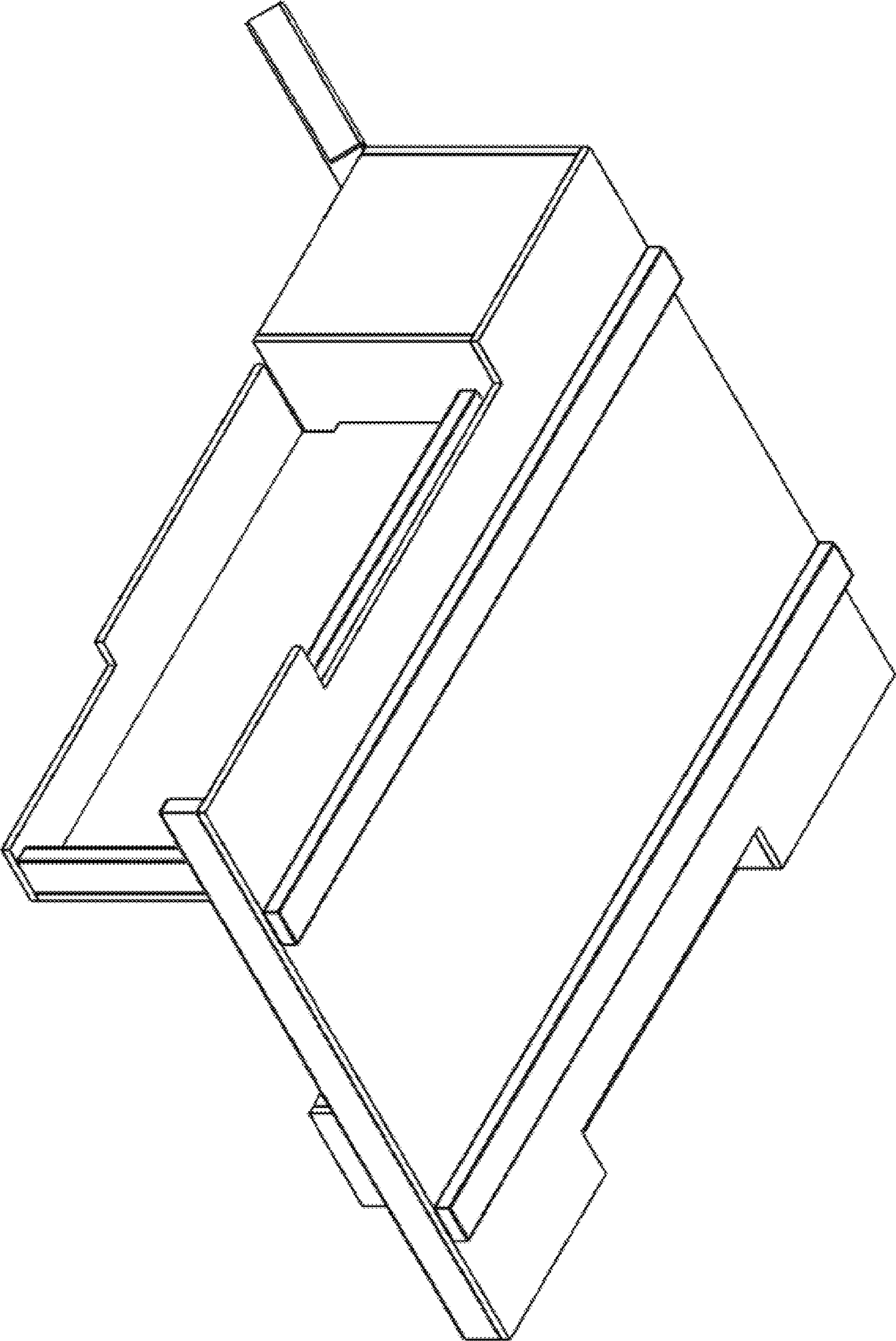


FIG. 19

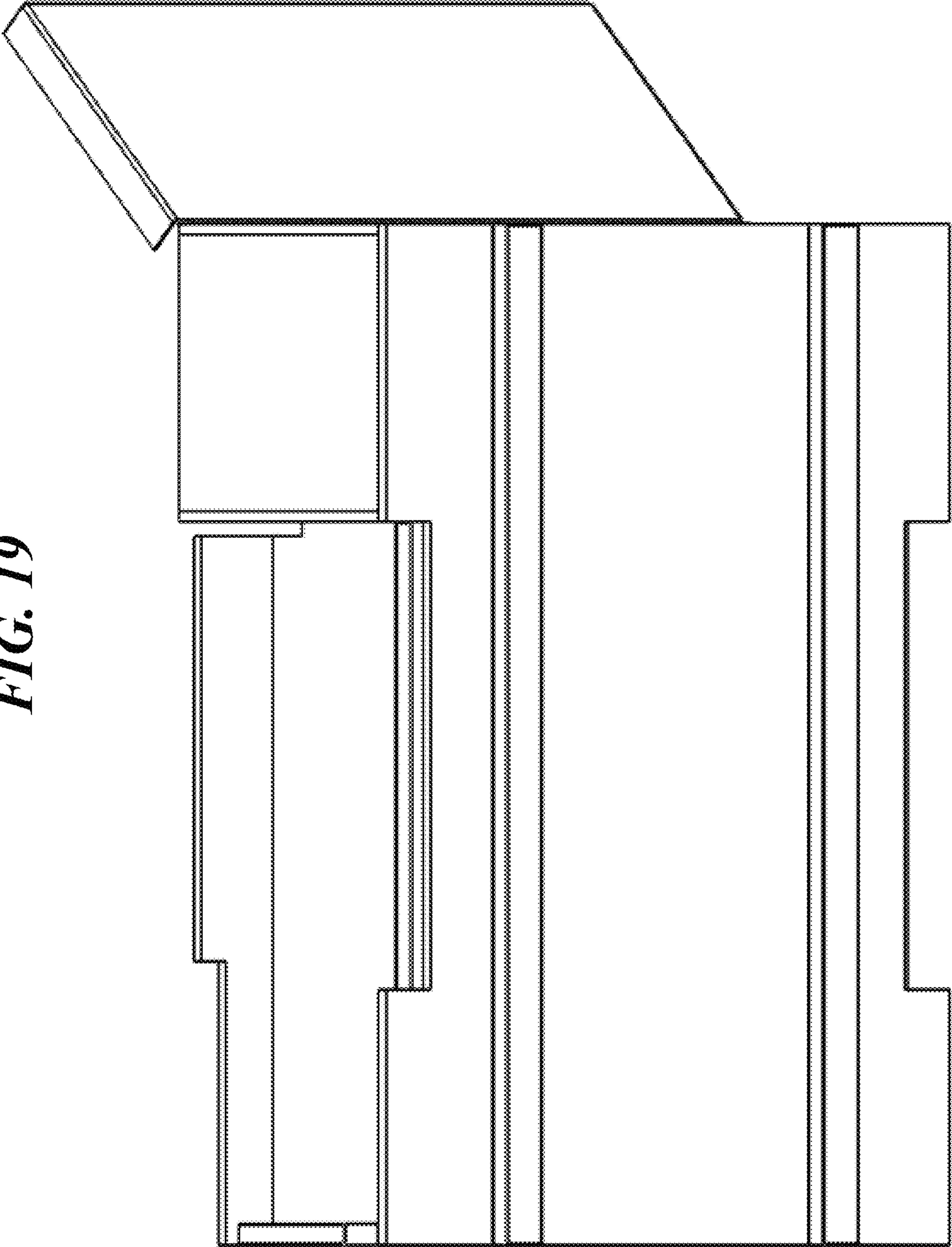


FIG. 20

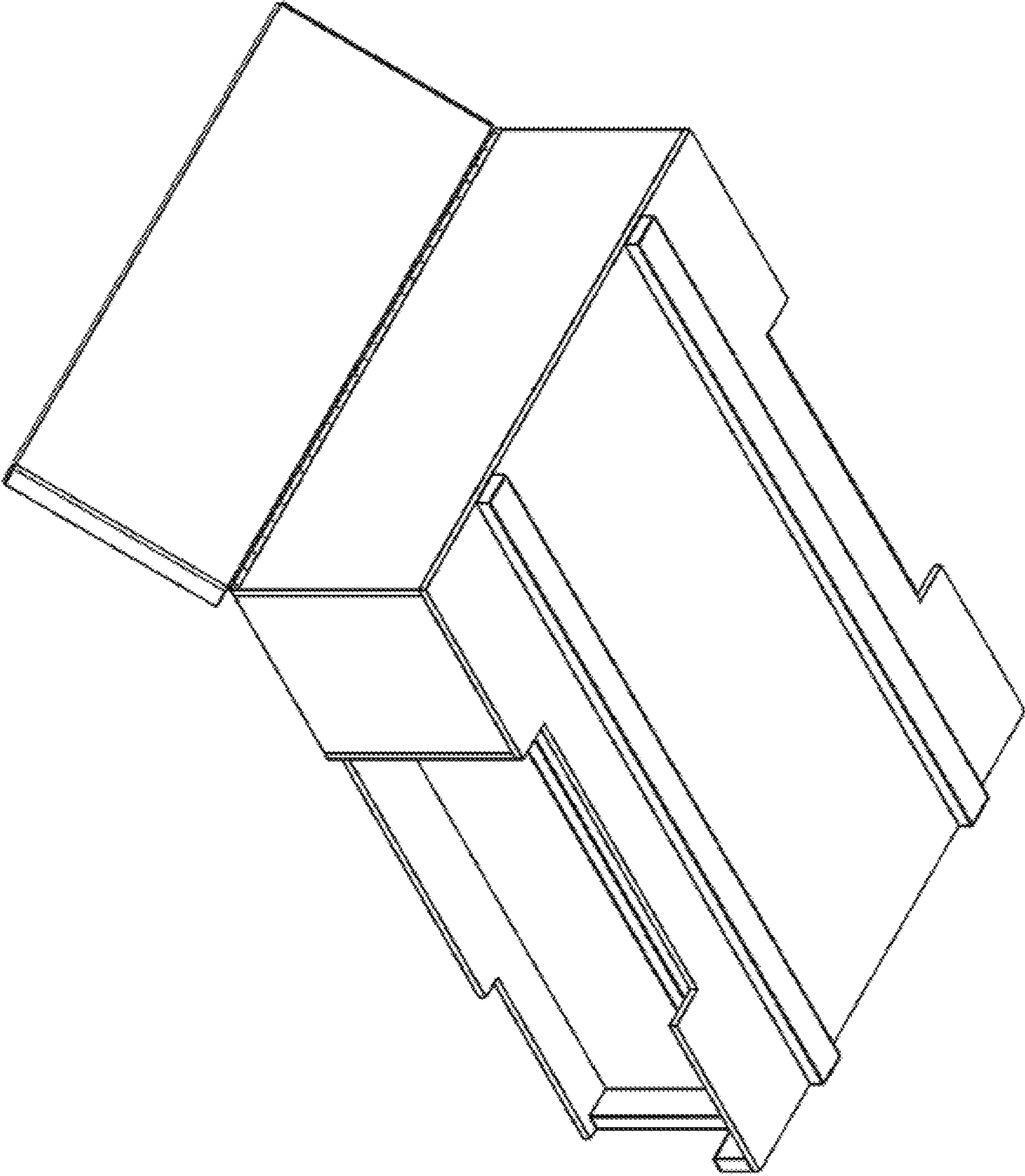


FIG. 21

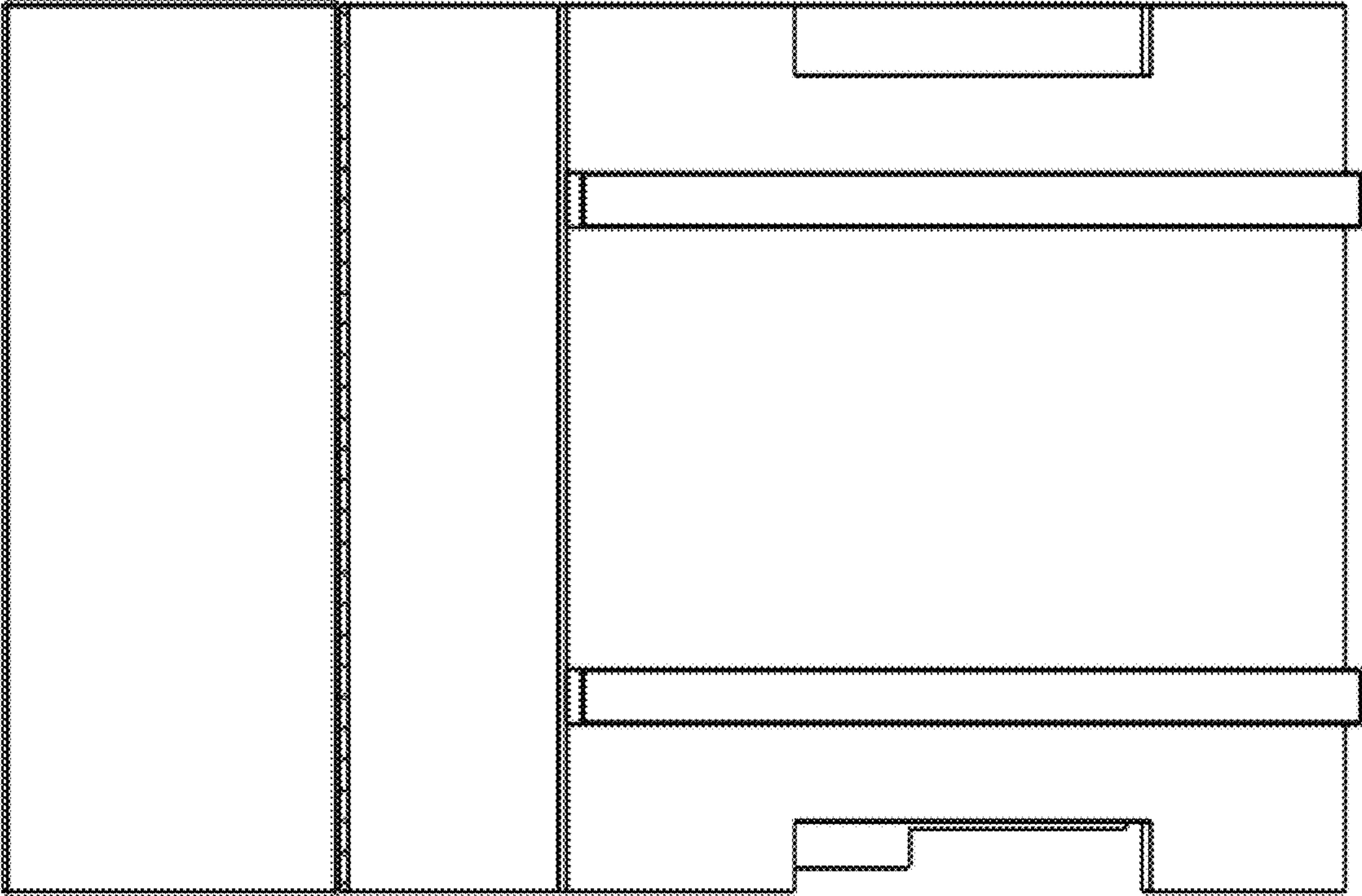


FIG. 22

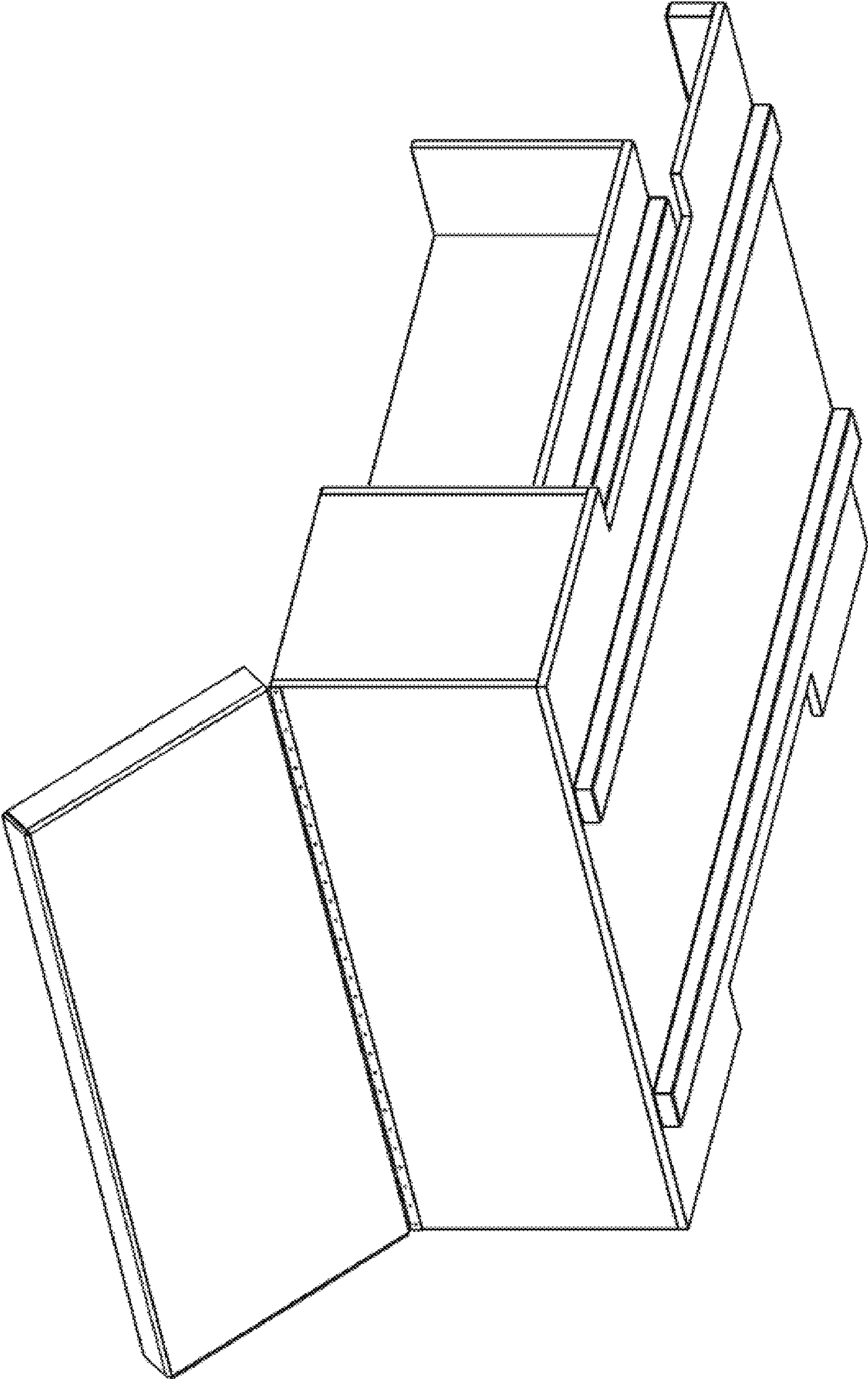


FIG. 23

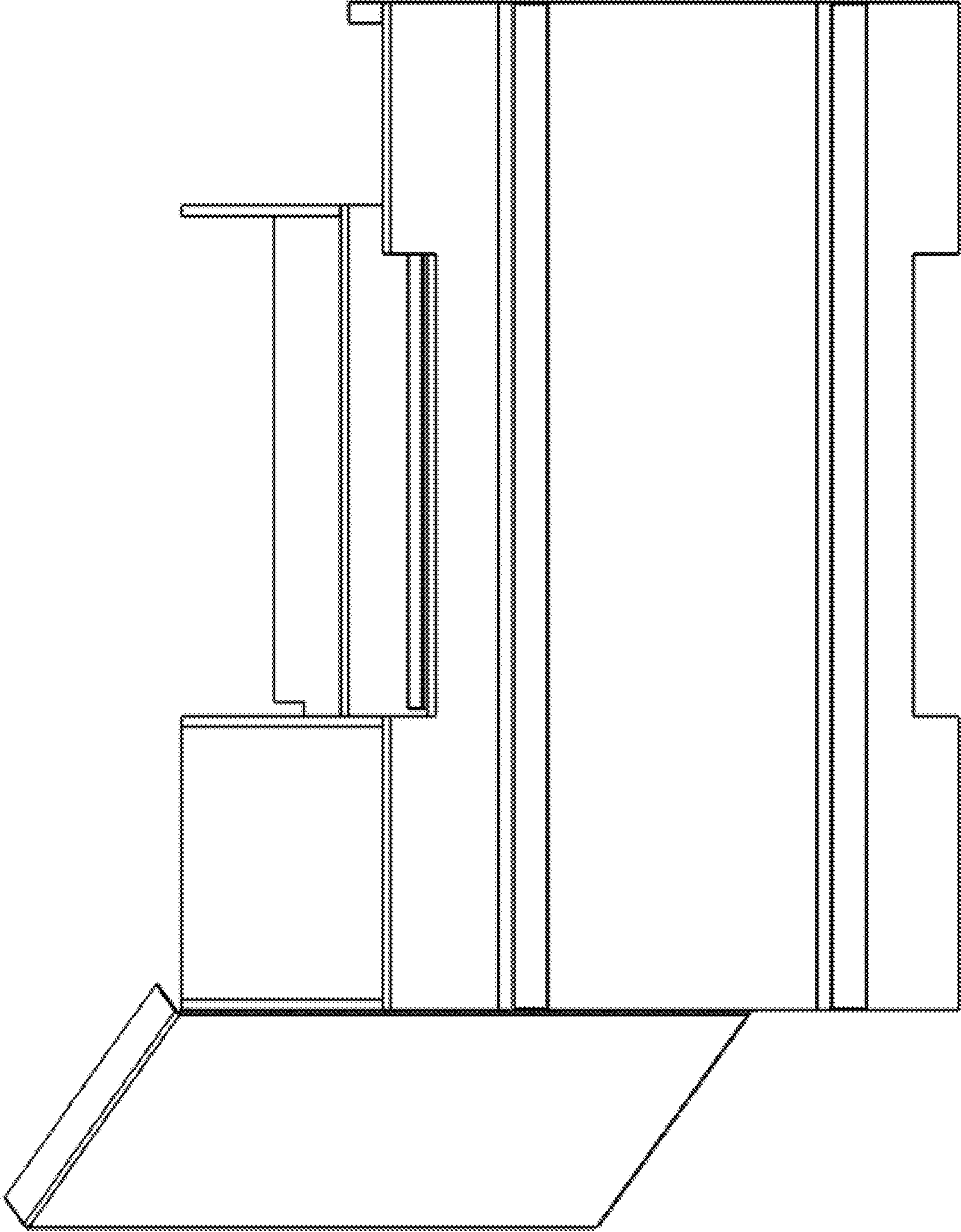


FIG. 24

