



US00D985469S

(12) **United States Design Patent**
Jia et al.

(10) **Patent No.:** **US D985,469 S**

(45) **Date of Patent:** **** May 9, 2023**

(54) **HOLDER**

(71) Applicant: **Guangzhou Issyzone Technology Co., Limited**, Guangzhou (CN)

(72) Inventors: **Zhuo Jia**, Guangzhou (CN); **Taiping Yang**, Guangzhou (CN)

(73) Assignee: **GUANGZHOU ISSYZONE TECHNOLOGY CO., LIMITED**, Guangzhou (CN)

(**) Term: **15 Years**

(21) Appl. No.: **29/860,660**

(22) Filed: **Nov. 21, 2022**

(51) **LOC (14) Cl.** **12-03**

(52) **U.S. Cl.**
USPC **D12/408**

(58) **Field of Classification Search**
USPC D12/159-162, 203, 223, 400, 408
See application file for complete search history.

(56) **References Cited**

U.S. PATENT DOCUMENTS

D614,563 S *	4/2010	Flaherty	D12/408
D632,638 S *	2/2011	Farber	D12/408
D656,456 S *	3/2012	Tinstman	D12/408
8,336,747 B2 *	12/2012	Bogoslofski	B60R 9/06 224/571
D687,762 S *	8/2013	Weaver	D12/408
D706,209 S *	6/2014	Flaherty	D12/407
D707,617 S *	6/2014	Flaherty	D12/407
D717,717 S *	11/2014	Williams	B60R 9/10 D12/408

D722,289 S *	2/2015	Williams	D12/408
RE47,281 E *	3/2019	Williams	B60R 9/06 D12/408
D852,114 S *	6/2019	Anderson	D12/407
D935,326 S	11/2021	Wathne et al.		
D970,425 S *	11/2022	Yang	D22/199
D974,992 S *	1/2023	Yang	D22/199

* cited by examiner

Primary Examiner — Khawaja Anwar

(57) **CLAIM**

The ornamental design for a holder, as shown and described.

DESCRIPTION

FIG. 1 is a front and top perspective view of a holder, showing our new design;

FIG. 2 is a rear and bottom perspective view thereof;

FIG. 3 is a front elevation view thereof;

FIG. 4 is a rear elevation view thereof;

FIG. 5 is a left side elevation view thereof;

FIG. 6 is a right side elevation view thereof;

FIG. 7 is a top plan view thereof;

FIG. 8 is a bottom plan view thereof;

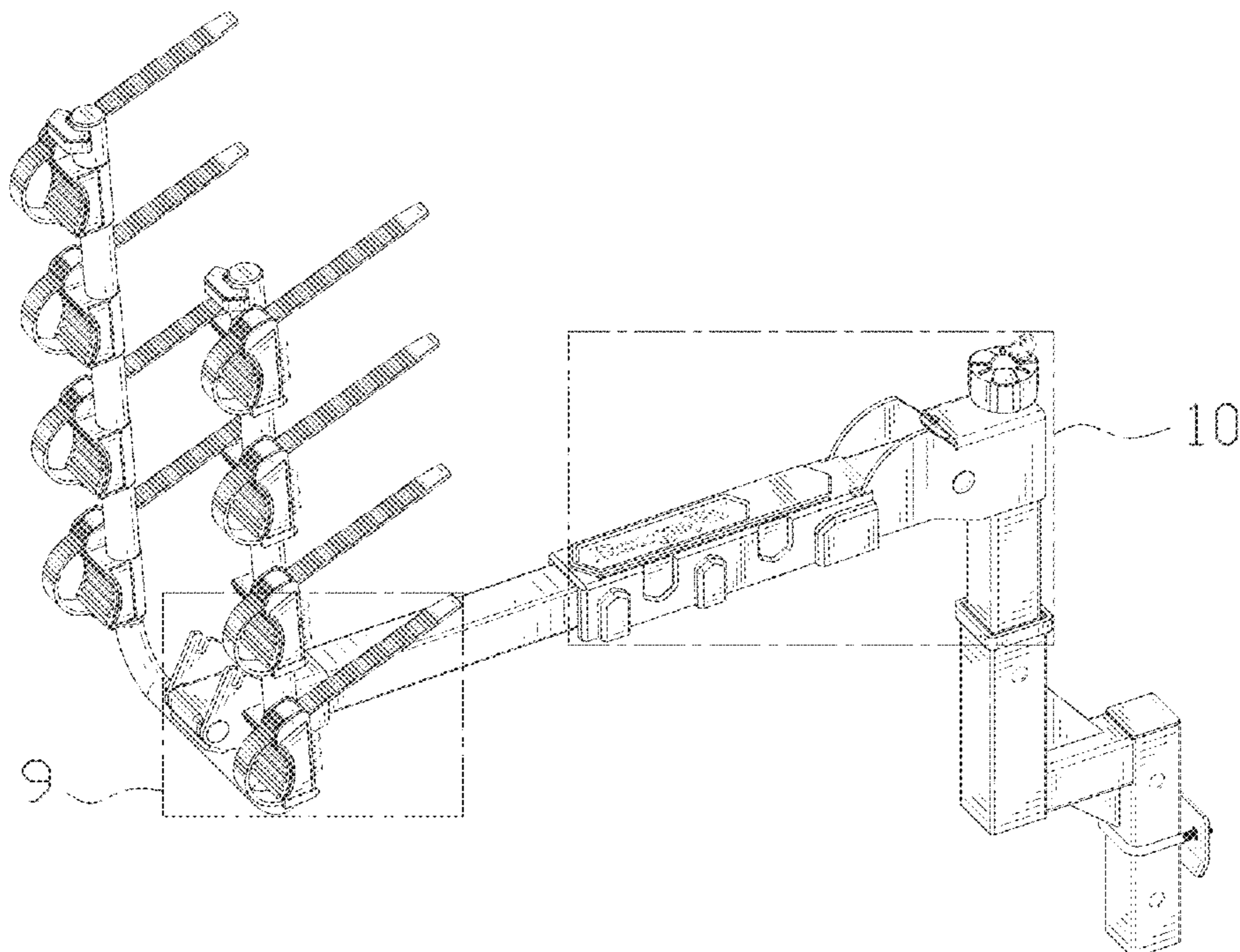
FIG. 9 is an enlarged perspective view of detail "9" identified in FIG. 1;

FIG. 10 is an enlarged perspective view of detail "10" identified in FIG. 1; and,

FIG. 11 is an enlarged perspective view of detail "11" identified in FIG. 2.

The dashed lines in the figures illustrate portions of the holder that form no part of the claimed design. The dash dot dash lines in FIGS. 1, 2, 9, 10 and 11 are for the purpose of illustrating the enlarged views indicators and form no part of the claimed design.

1 Claim, 11 Drawing Sheets



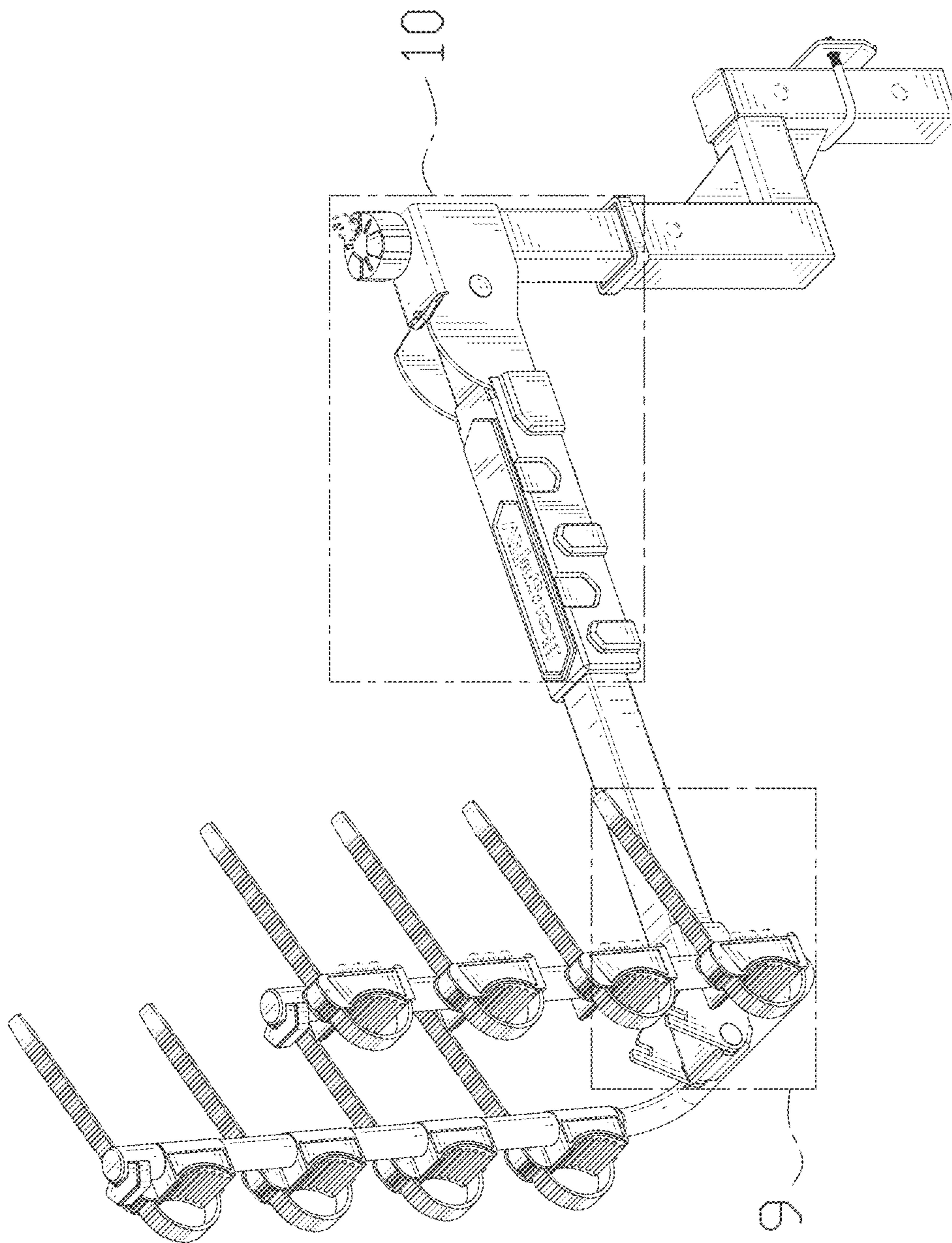


FIG. 1

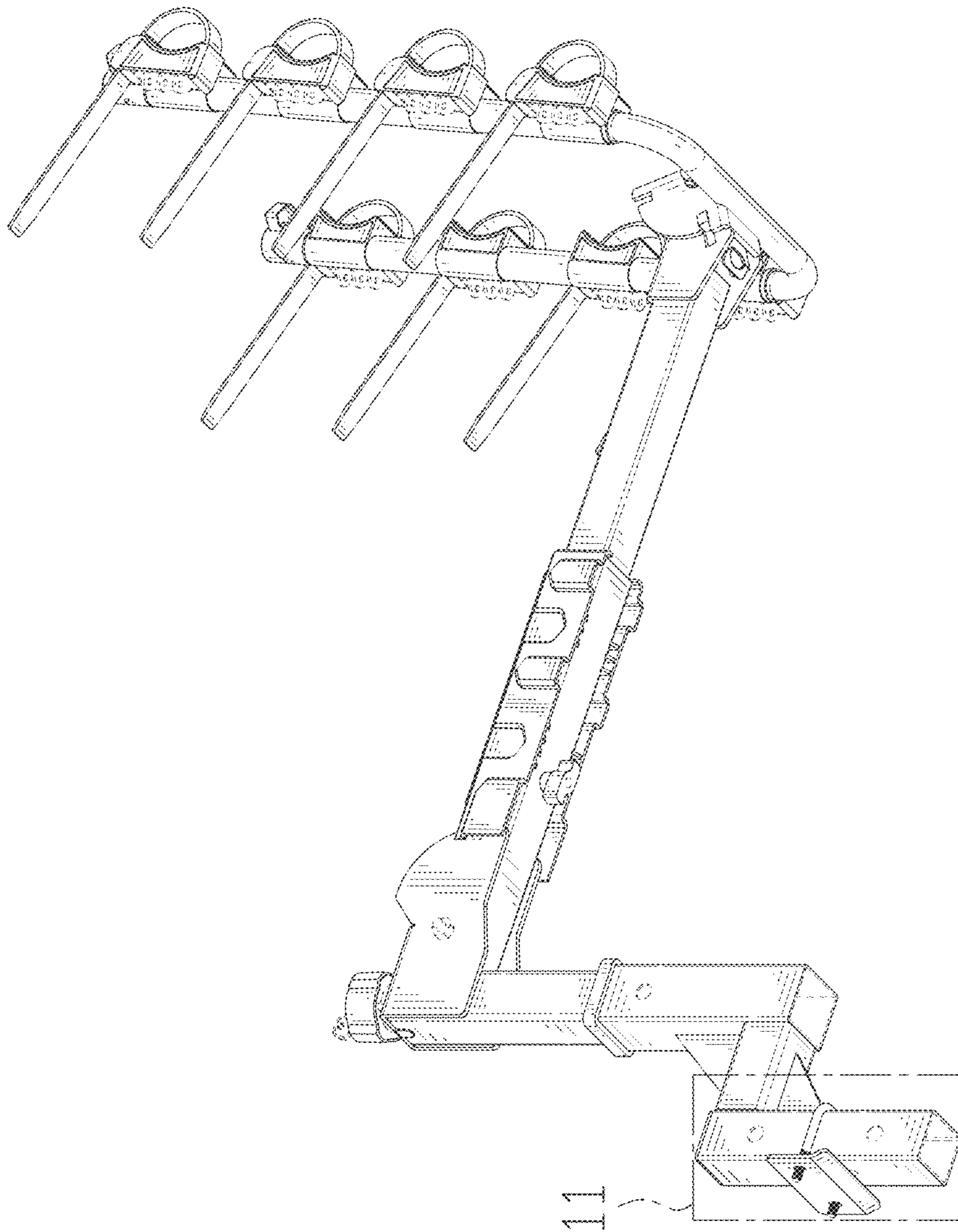


FIG. 2

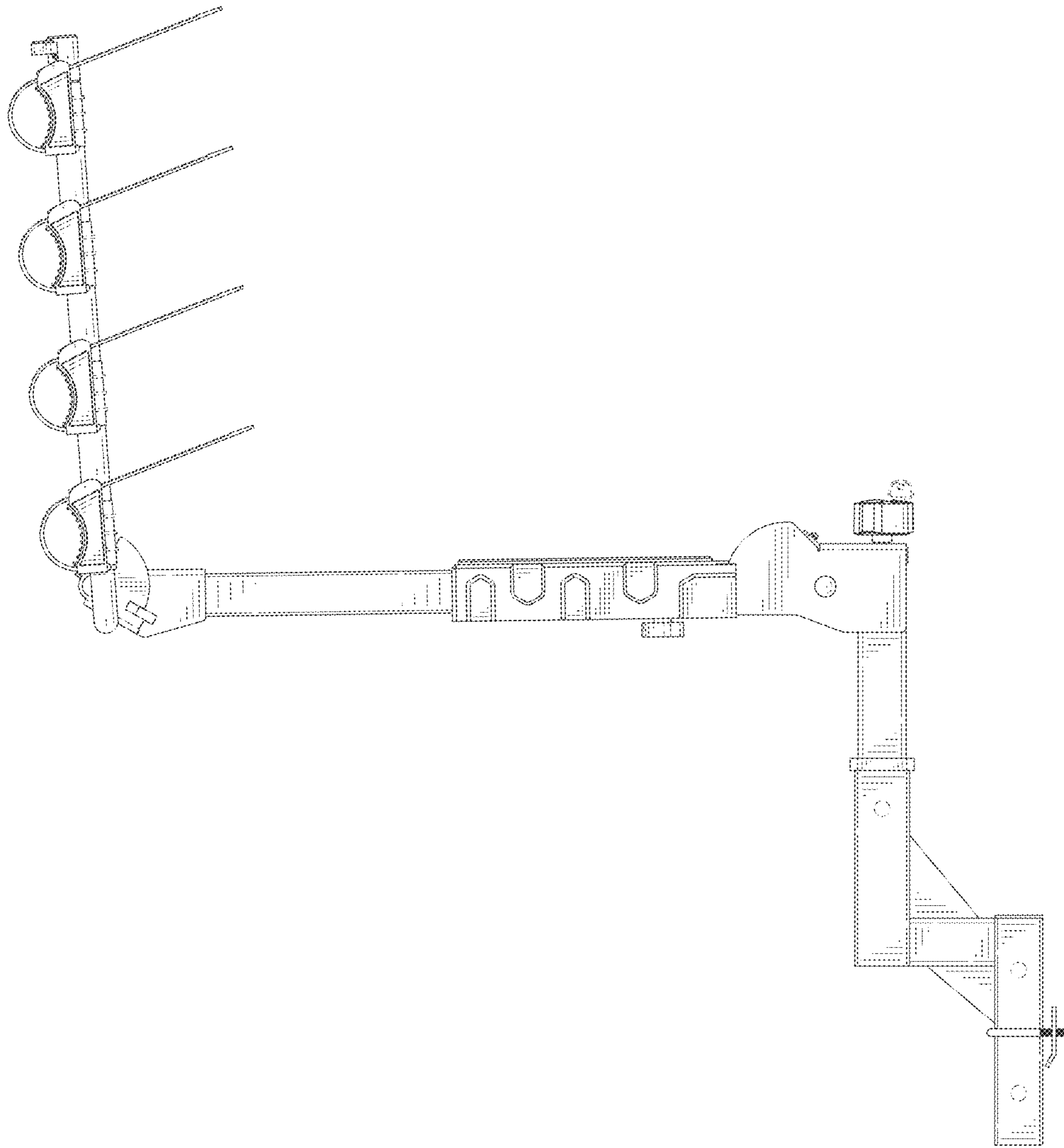


FIG. 3

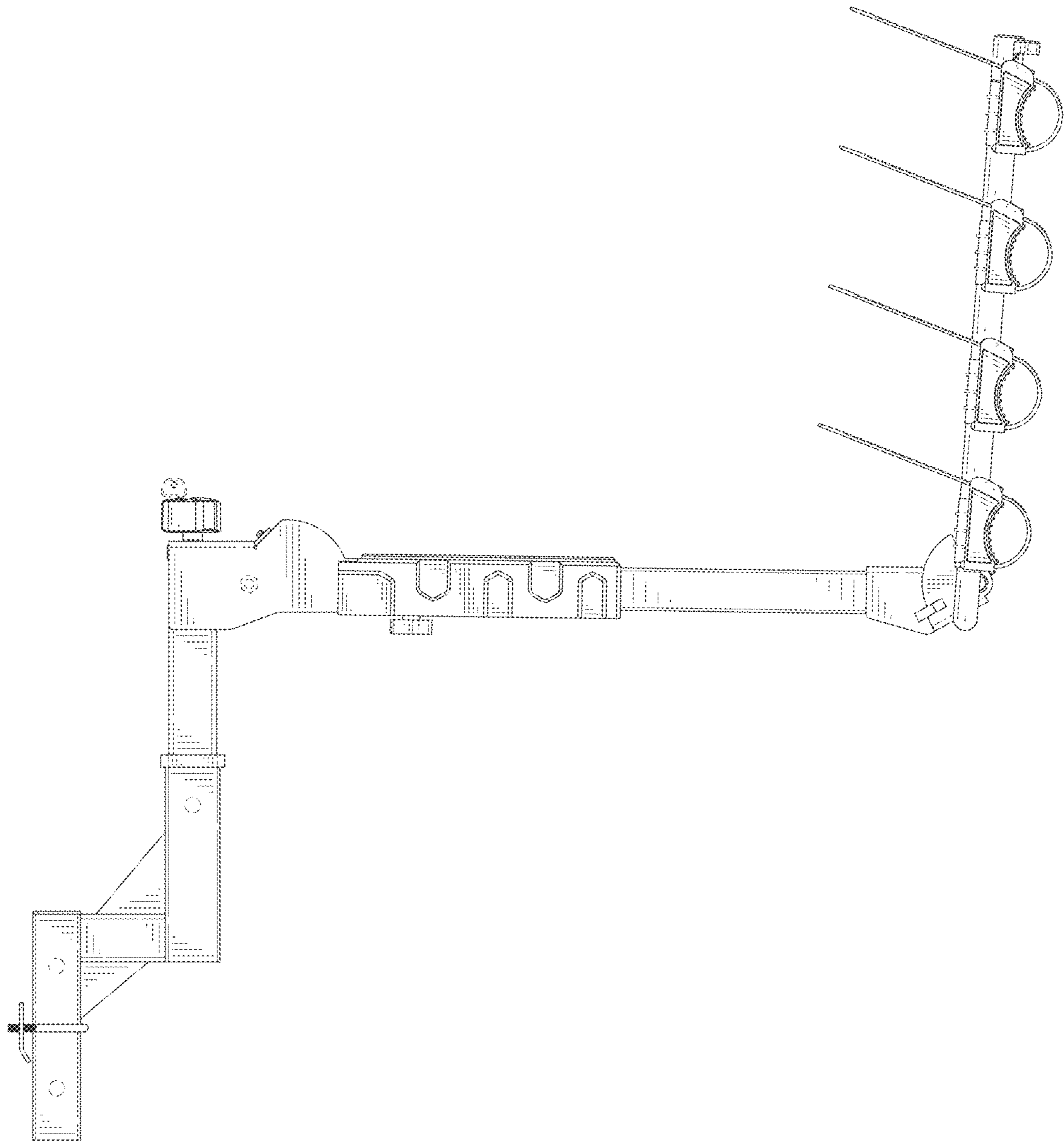


FIG. 4

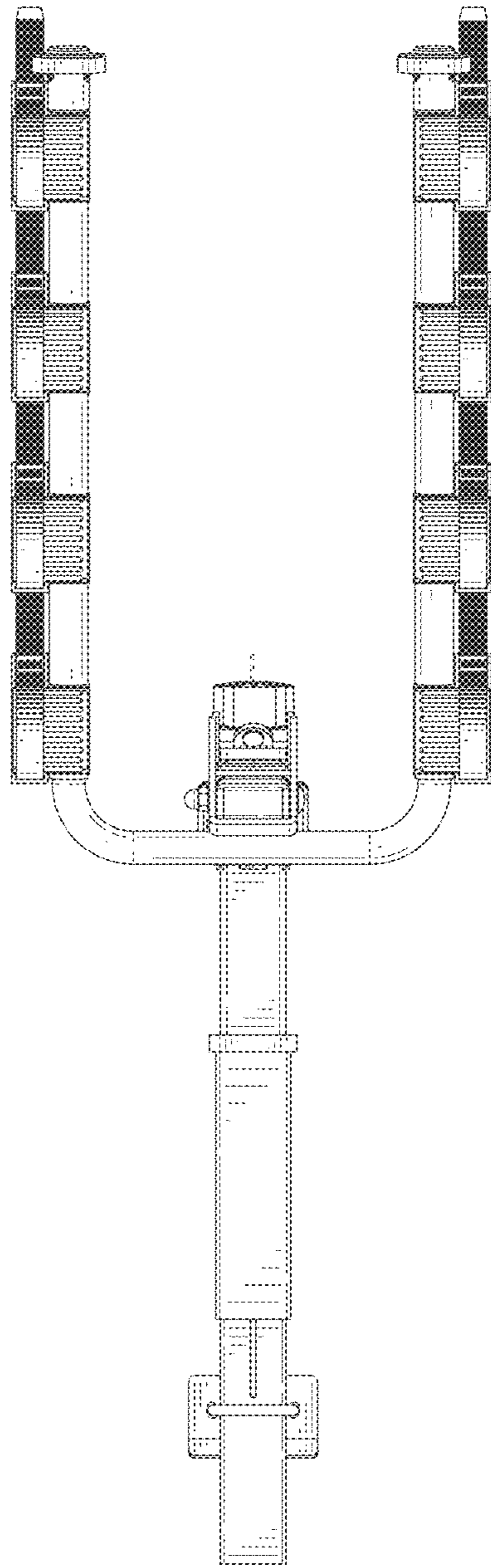


FIG. 5

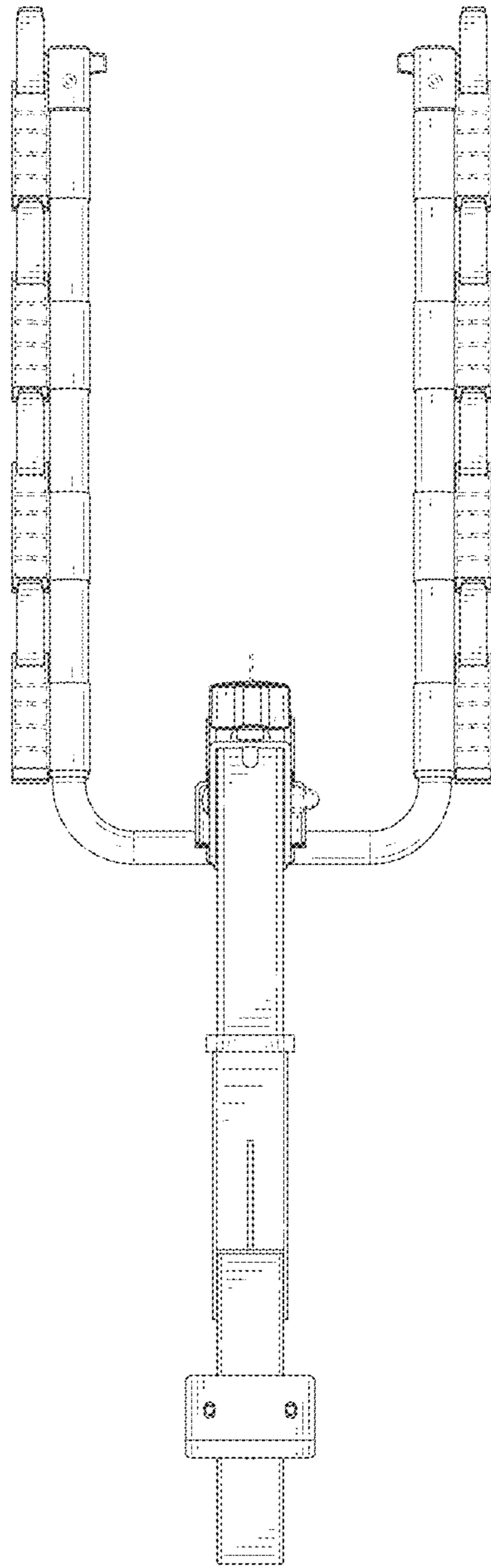


FIG. 6

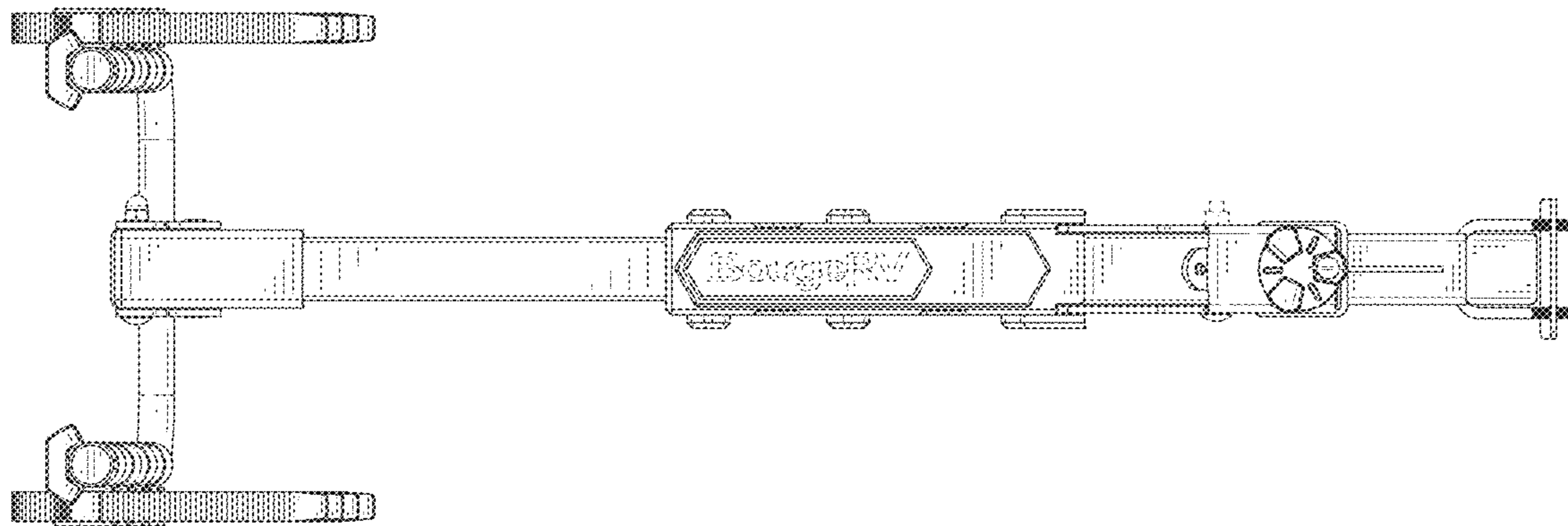


FIG. 7

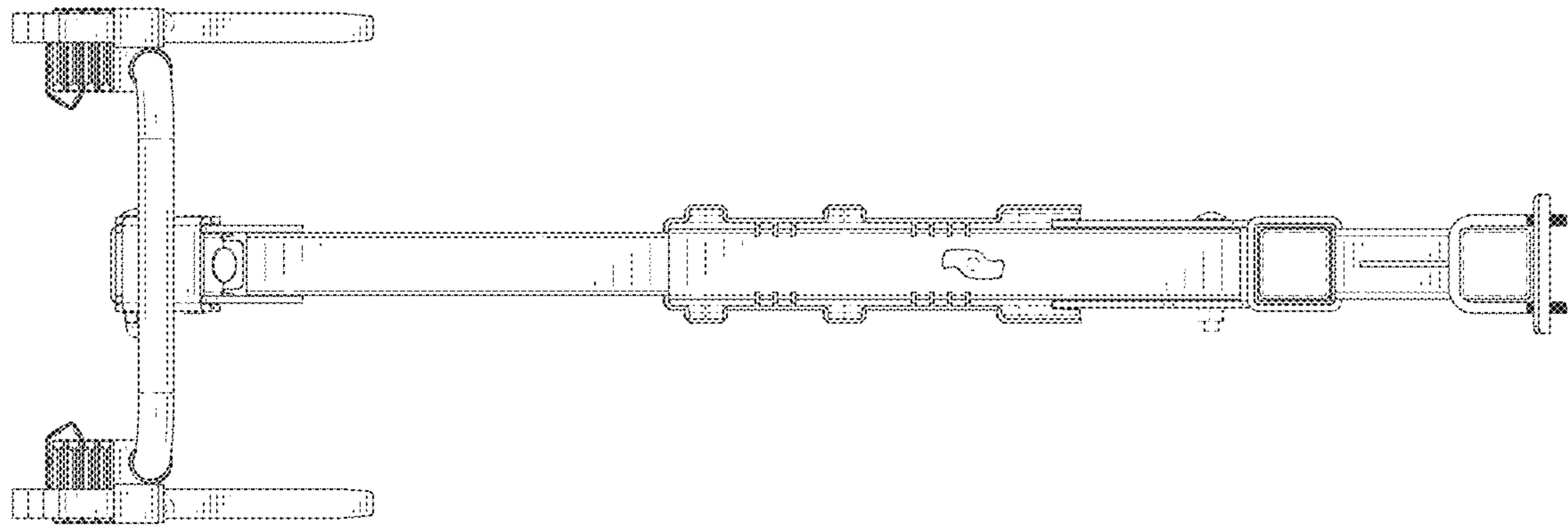


FIG. 8

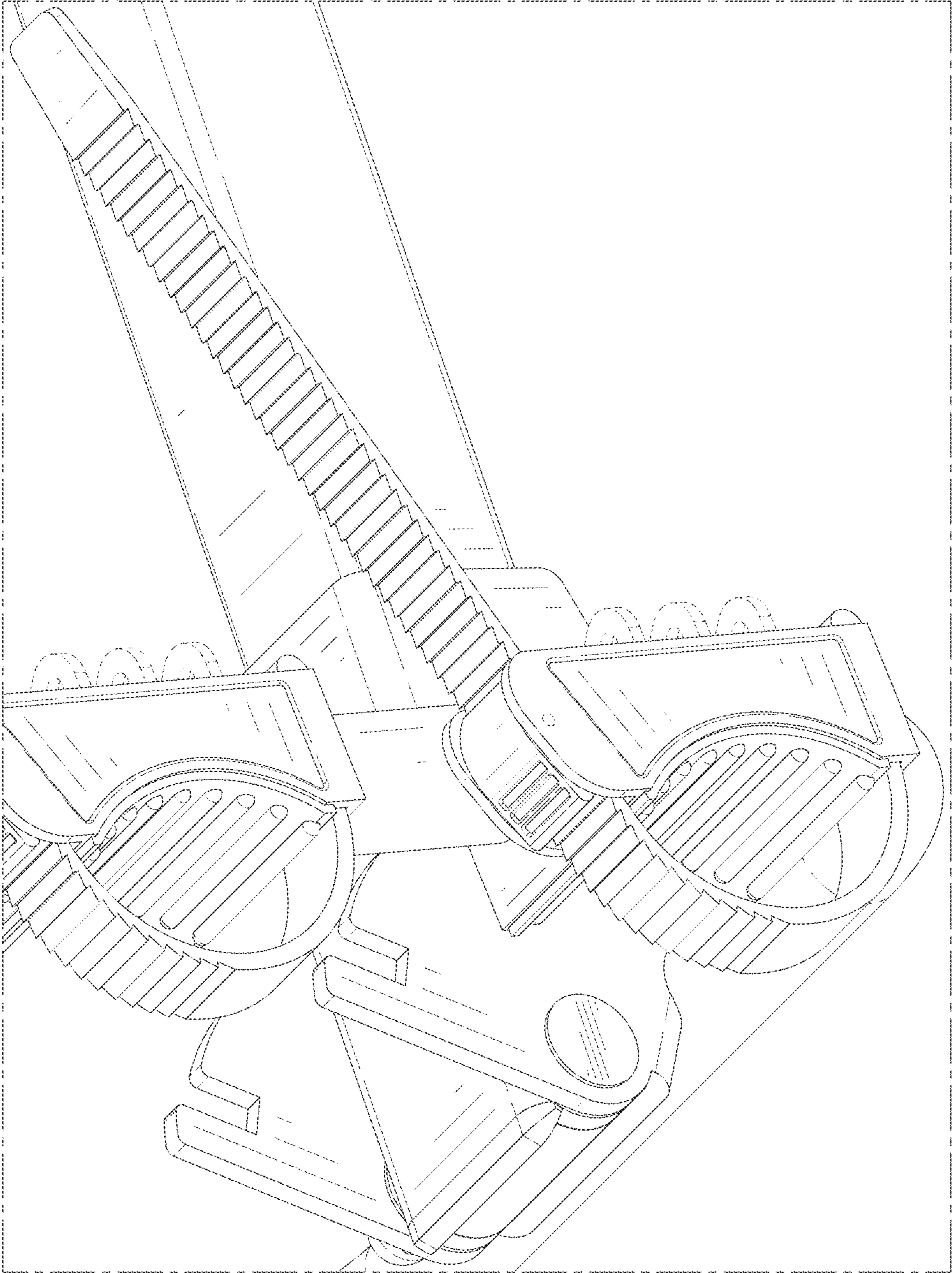


FIG. 9

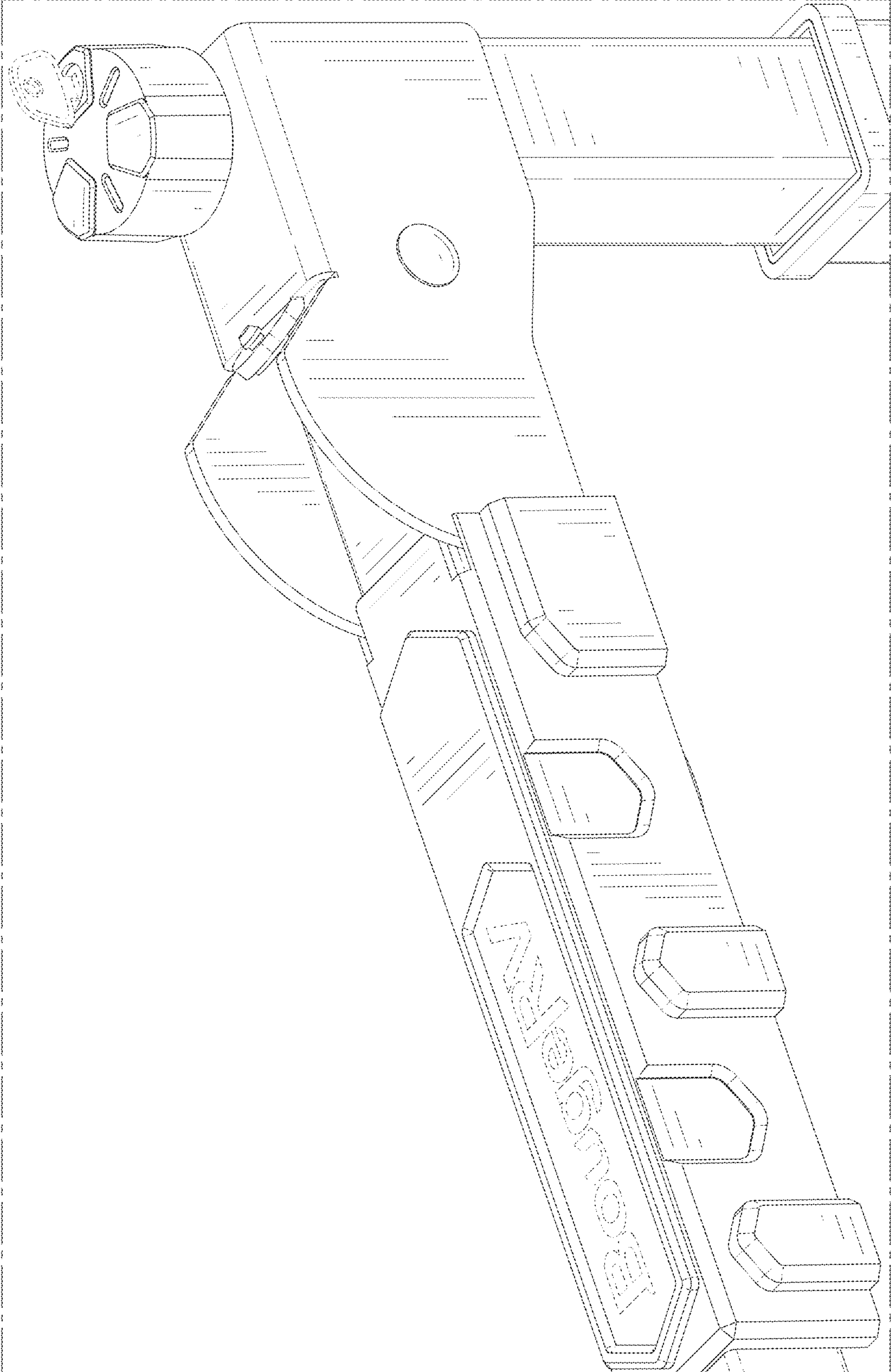


FIG. 10

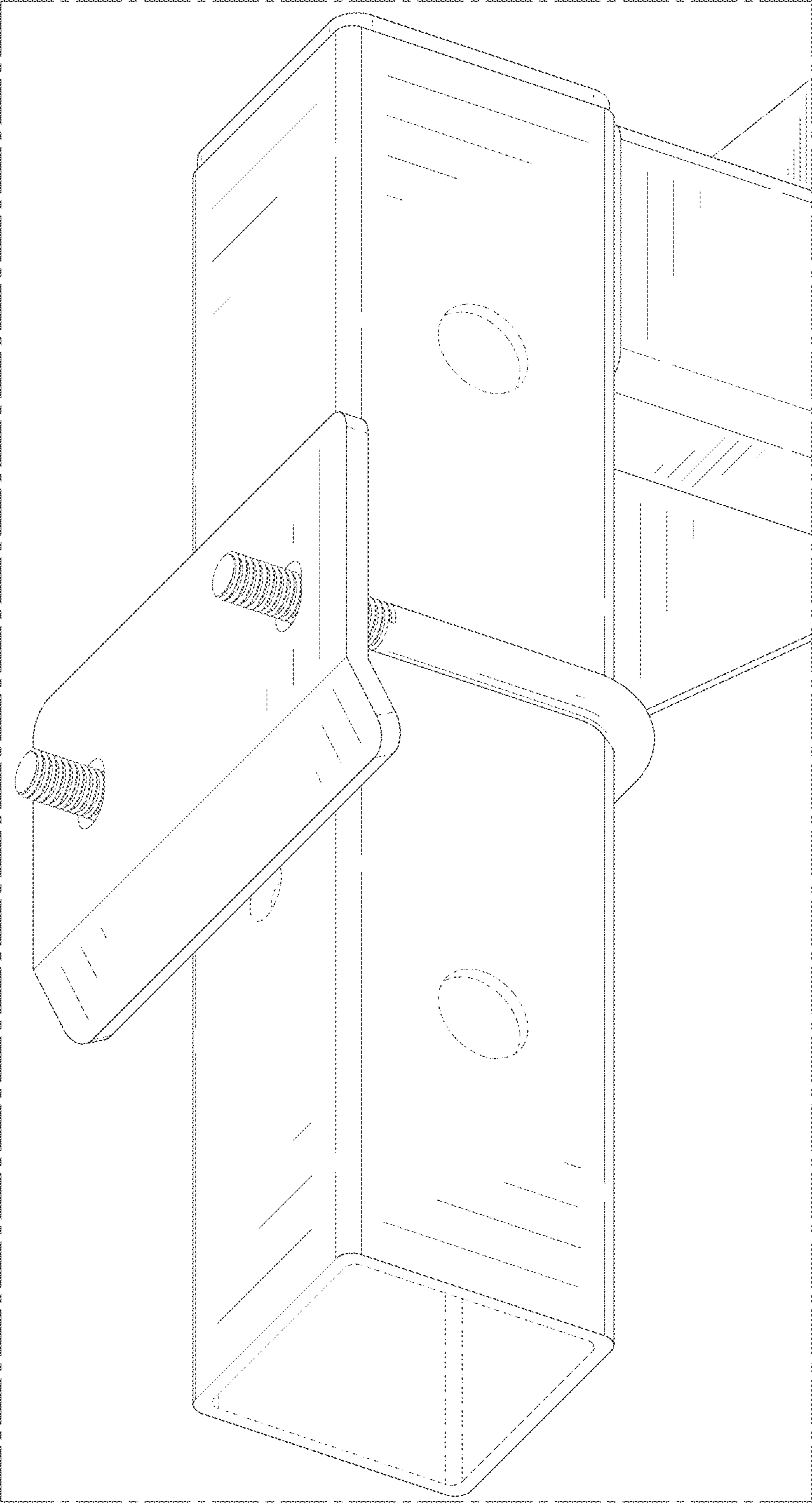


FIG. 11