



US00D985468S

(12) **United States Design Patent** (10) **Patent No.:** **US D985,468 S**  
**Larsson et al.** (45) **Date of Patent:** **\*\* May 9, 2023**

(54) **CARRIER**  
(71) Applicant: **Thule Sweden AB**, Hillerstorp (SE)  
(72) Inventors: **Johan Larsson**, Jönköping (SE); **Simon Helmersson**, Värnamo (SE)  
(73) Assignee: **Thule Sweden AB**, Hillerstorp (SE)  
(\*\*) Term: **15 Years**  
(21) Appl. No.: **29/817,643**  
(22) Filed: **Dec. 2, 2021**

**Related U.S. Application Data**

(63) Continuation of application No. 29/739,330, filed on Jun. 24, 2020, now Pat. No. Des. 940,046.  
(51) **LOC (14) Cl.** ..... **12-16**  
(52) **U.S. Cl.**  
USPC ..... **D12/408**  
(58) **Field of Classification Search**  
USPC ..... D12/406-408, 412, 414, 115  
CPC .. B60R 9/06; B60R 9/10; B60R 9/045; B60R 9/048  
See application file for complete search history.

**References Cited**

**U.S. PATENT DOCUMENTS**

D247,113 S \* 1/1978 Federowicz ..... D12/408  
4,452,385 A \* 6/1984 Prosen ..... B60R 9/06  
224/493  
D329,035 S \* 9/1992 Blackburn ..... D12/408  
5,195,670 A \* 3/1993 Piretti ..... B60R 9/06  
16/329  
5,330,084 A \* 7/1994 Peters ..... B60R 9/06  
211/171  
D369,139 S \* 4/1996 Joder ..... D12/408  
D412,482 S 8/1999 Chen  
D430,533 S 9/2000 Peschmann et al.

D447,997 S \* 9/2001 Ferman ..... D12/408  
D467,221 S \* 12/2002 Walstrom ..... D12/408  
D602,420 S 10/2009 Kuschmeader et al.  
D608,723 S \* 1/2010 Flaherty ..... D12/408  
D614,562 S \* 4/2010 Flaherty ..... D12/408  
D614,564 S \* 4/2010 Flaherty ..... D12/408  
D625,247 S 10/2010 Flaherty et al.  
D628,141 S 11/2010 Weaver et al.  
D629,350 S \* 12/2010 Weaver ..... D12/408  
D632,635 S \* 2/2011 Farber ..... D12/408  
D634,259 S 3/2011 Farber  
D634,260 S \* 3/2011 Farber ..... D12/408  
D635,087 S 3/2011 Flaherty et al.  
D637,137 S 5/2011 Weaver et al.  
D656,080 S 3/2012 Budd et al.  
D656,455 S \* 3/2012 Sautter ..... D12/408  
D656,456 S \* 3/2012 Tinstman ..... D12/408  
D658,567 S 5/2012 Shen

(Continued)

*Primary Examiner* — Michelle E. Wilson  
*Assistant Examiner* — Clese Moore, Jr.  
(74) *Attorney, Agent, or Firm* — Sterne, Kessler, Goldstein & Fox P.L.L.C.

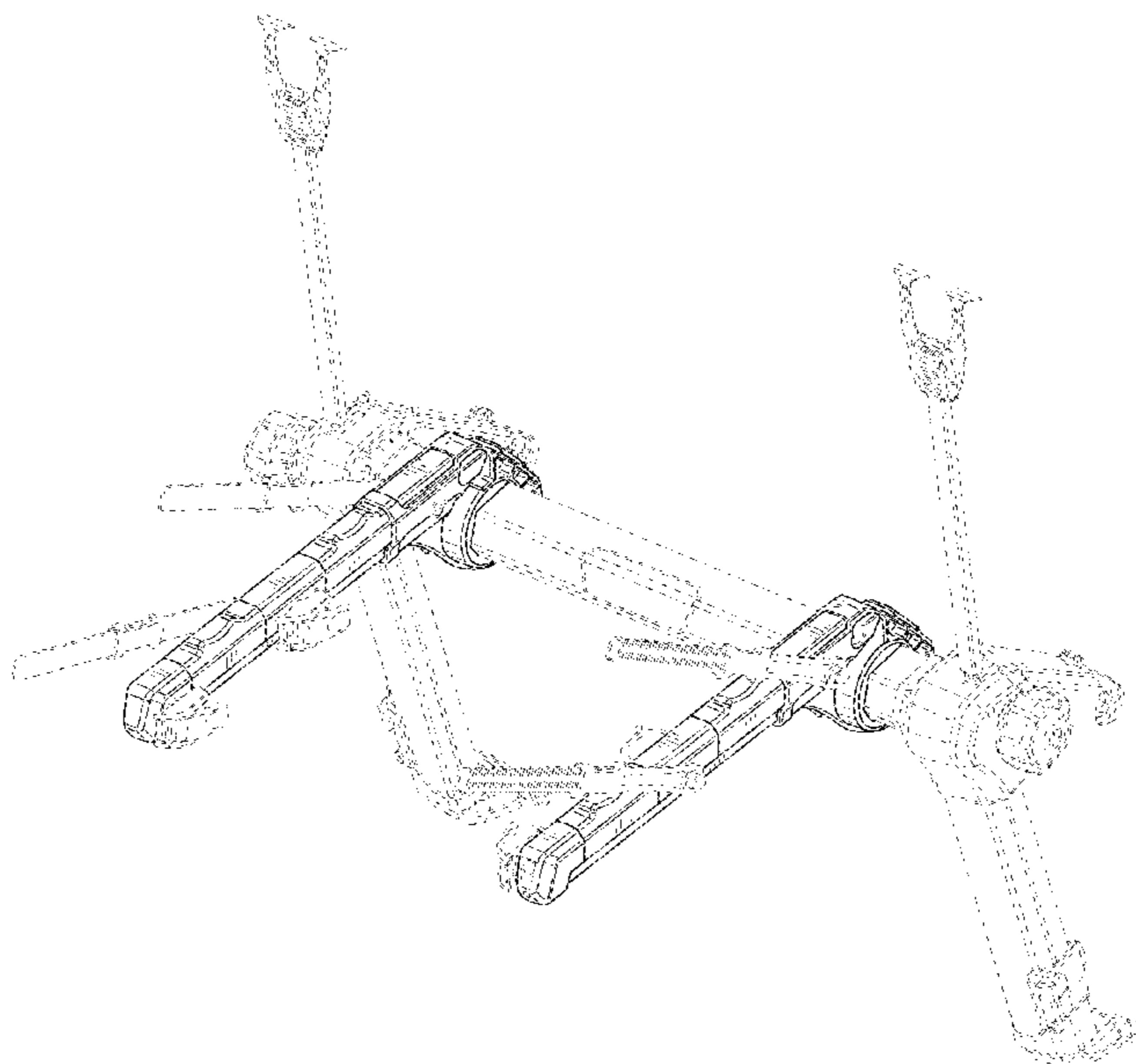
(57) **CLAIM**

The ornamental design for a carrier, as shown and described.

**DESCRIPTION**

FIG. 1 is a top front perspective view of a carrier showing the claimed design;  
FIG. 2 is a bottom rear perspective view thereof;  
FIG. 3 is a rear view thereof;  
FIG. 4 is a front view thereof;  
FIG. 5 is a left side view thereof;  
FIG. 6 is a right side view thereof;  
FIG. 7 is a top view thereof; and,  
FIG. 8 is a bottom view thereof.  
The broken lines in the figures show portions of the carrier that form no part of the claimed design.

**1 Claim, 8 Drawing Sheets**



(56)

**References Cited**

U.S. PATENT DOCUMENTS

D663,675	S	7/2012	Sautter et al.	
D669,016	S *	10/2012	Pozzi .....	D12/408
D671,883	S	12/2012	Farber	
D672,704	S	12/2012	Grago	
D684,917	S	6/2013	Williams	
D687,762	S *	8/2013	Weaver .....	D12/408
D706,209	S	6/2014	Flaherty et al.	
D707,617	S	6/2014	Flaherty et al.	
D717,717	S	11/2014	Williams	
D719,901	S	12/2014	Krusinski et al.	
D722,289	S	2/2015	Williams	
D727,831	S	4/2015	Eriksson et al.	
D788,019	S	5/2017	Kuschmeader et al.	
D790,434	S	6/2017	Adler	
D813,784	S	3/2018	Larsson et al.	
D817,256	S	5/2018	Adler et al.	
10,053,022	B2 *	8/2018	Pedrini .....	B60R 9/10
RE47,281	E *	3/2019	Williams .....	B60R 9/06 D12/408
D852,114	S	6/2019	Anderson et al.	
D877,685	S	3/2020	Larsson et al.	
10,723,278	B2 *	7/2020	Bowles .....	B60R 9/06
D933,579	S *	10/2021	Gaddis .....	D12/406
2006/0032879	A1 *	2/2006	Settelmayer .....	B60R 9/10 224/924
2013/0015615	A1	1/2013	Bogoslofski et al.	

\* cited by examiner

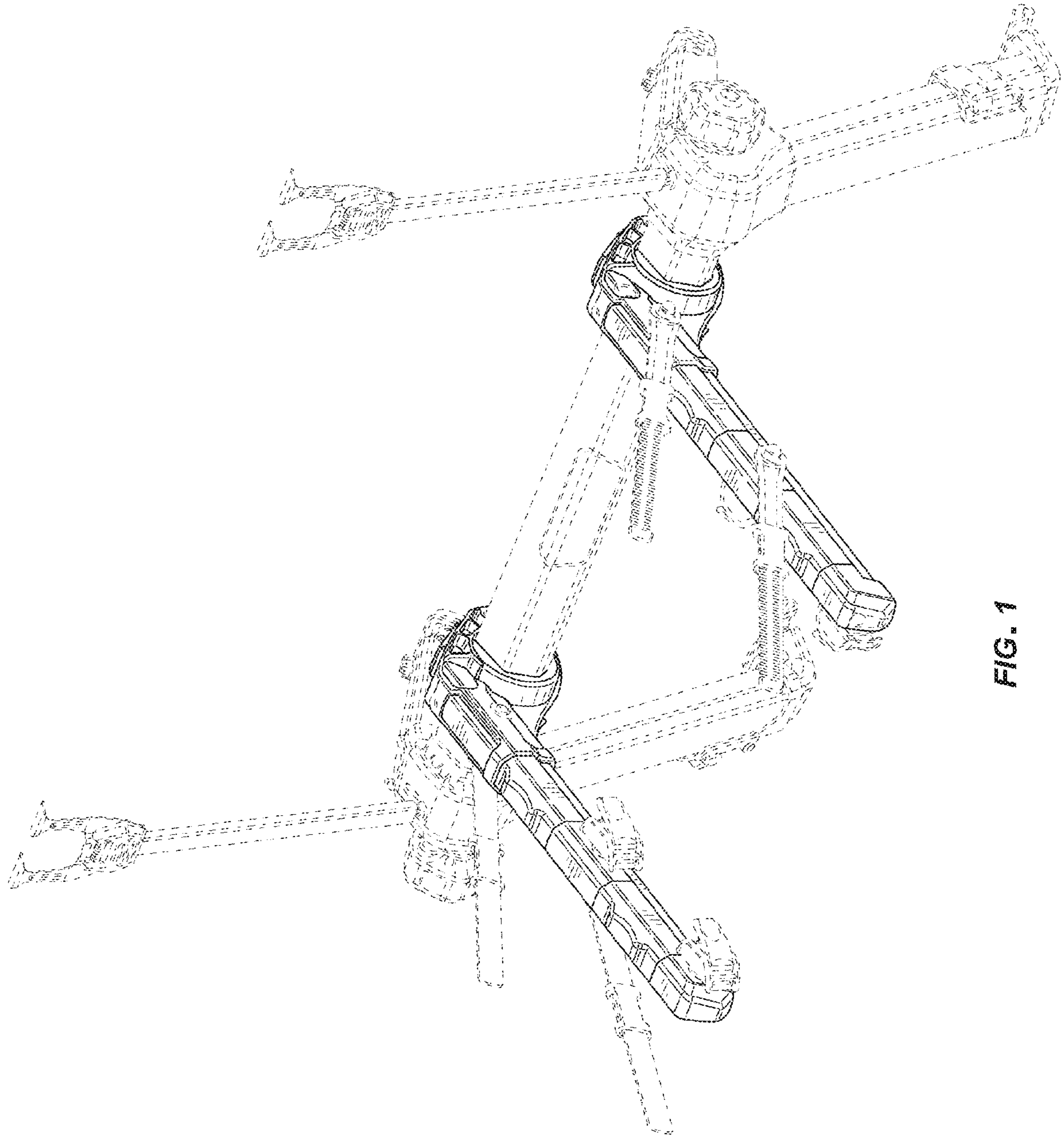


FIG. 1



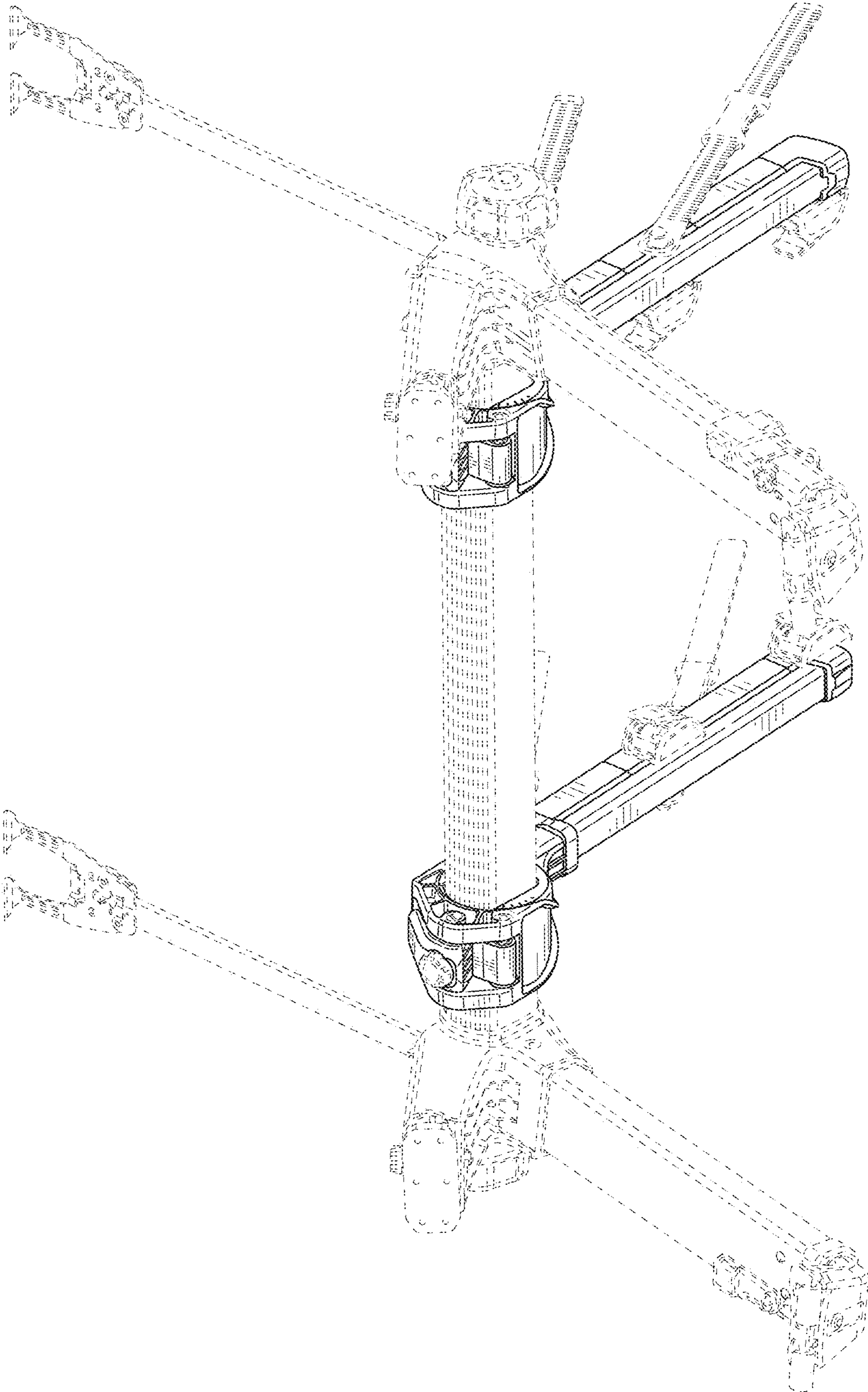


FIG. 2

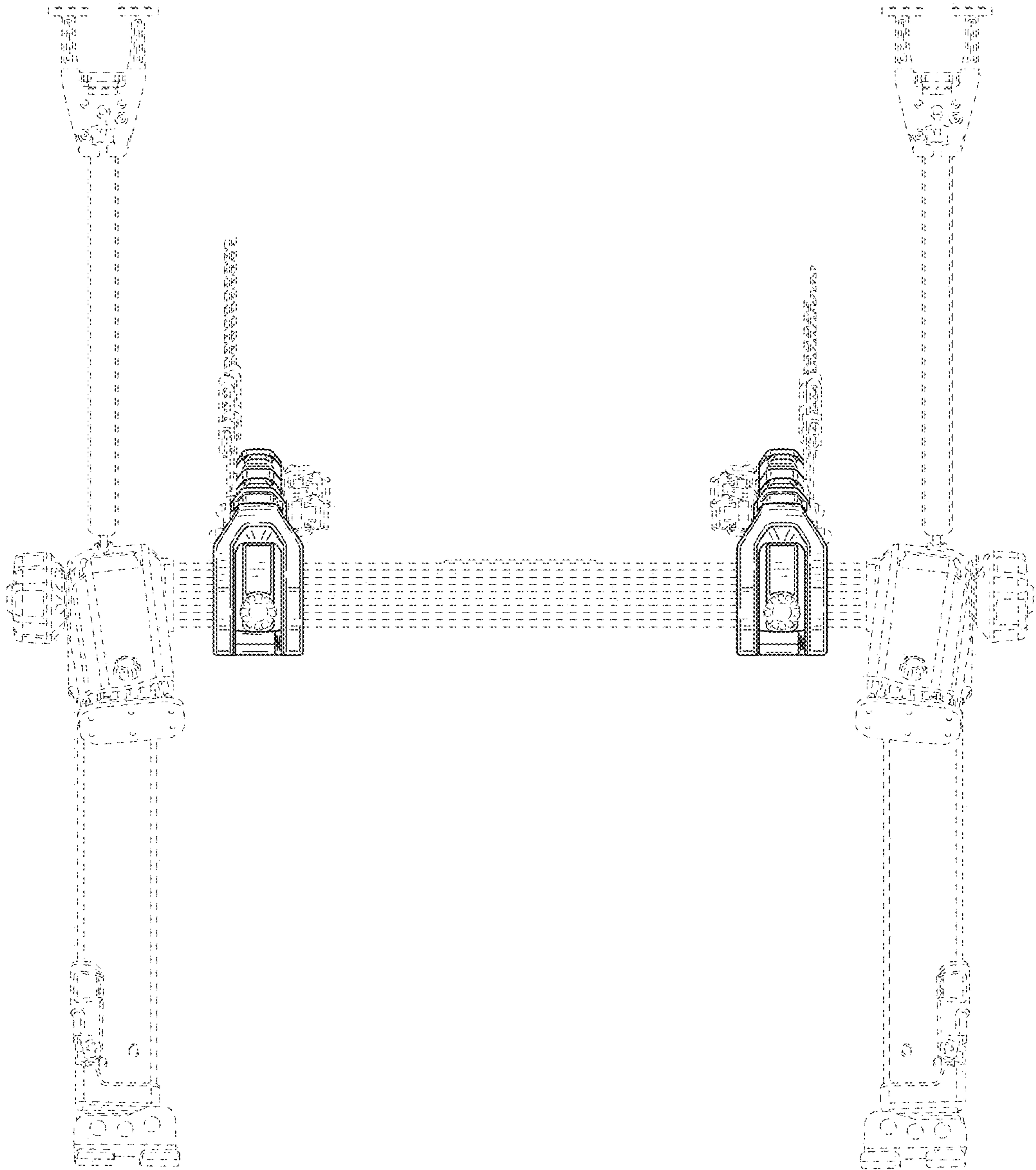


FIG. 3

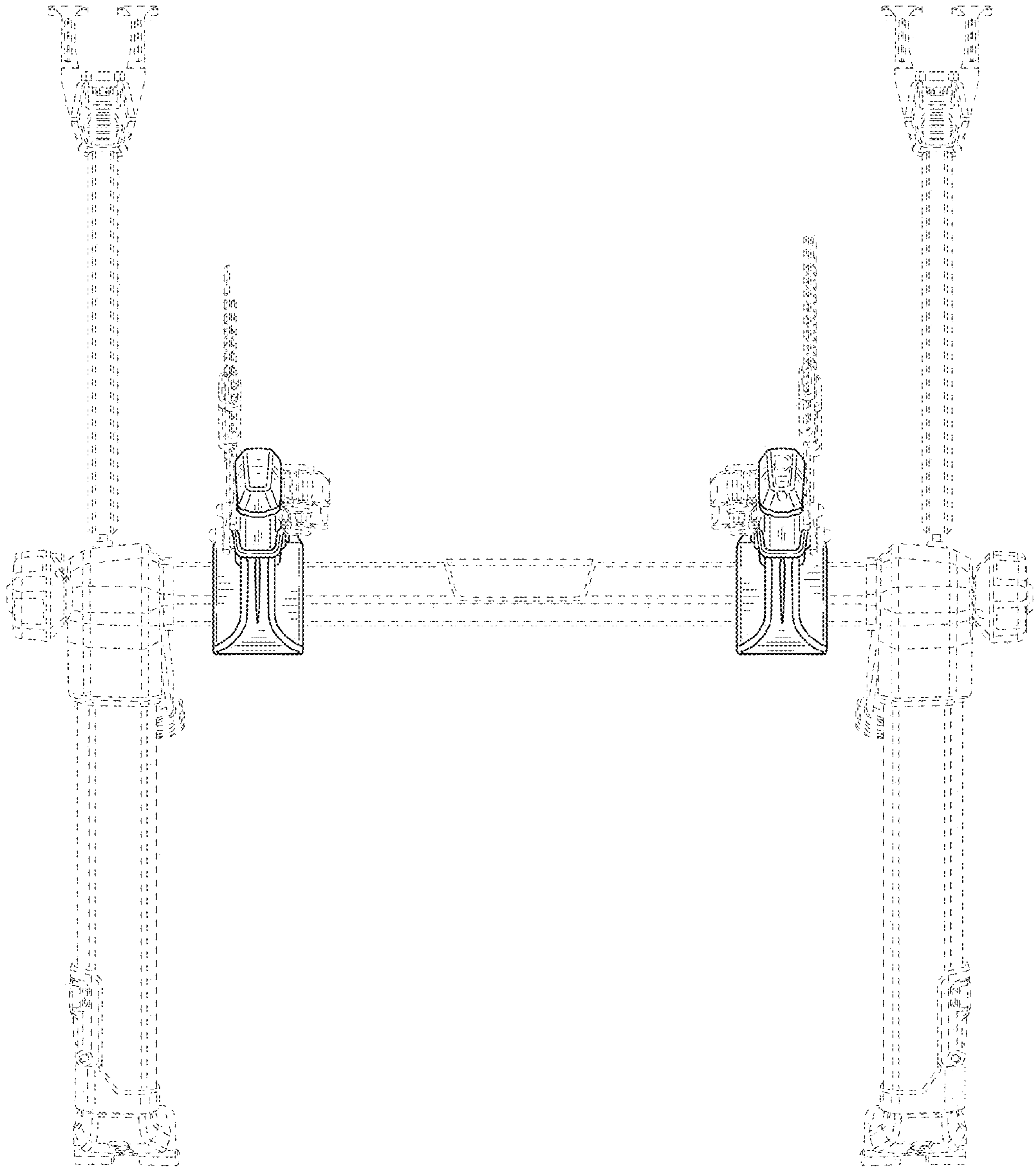


FIG. 4

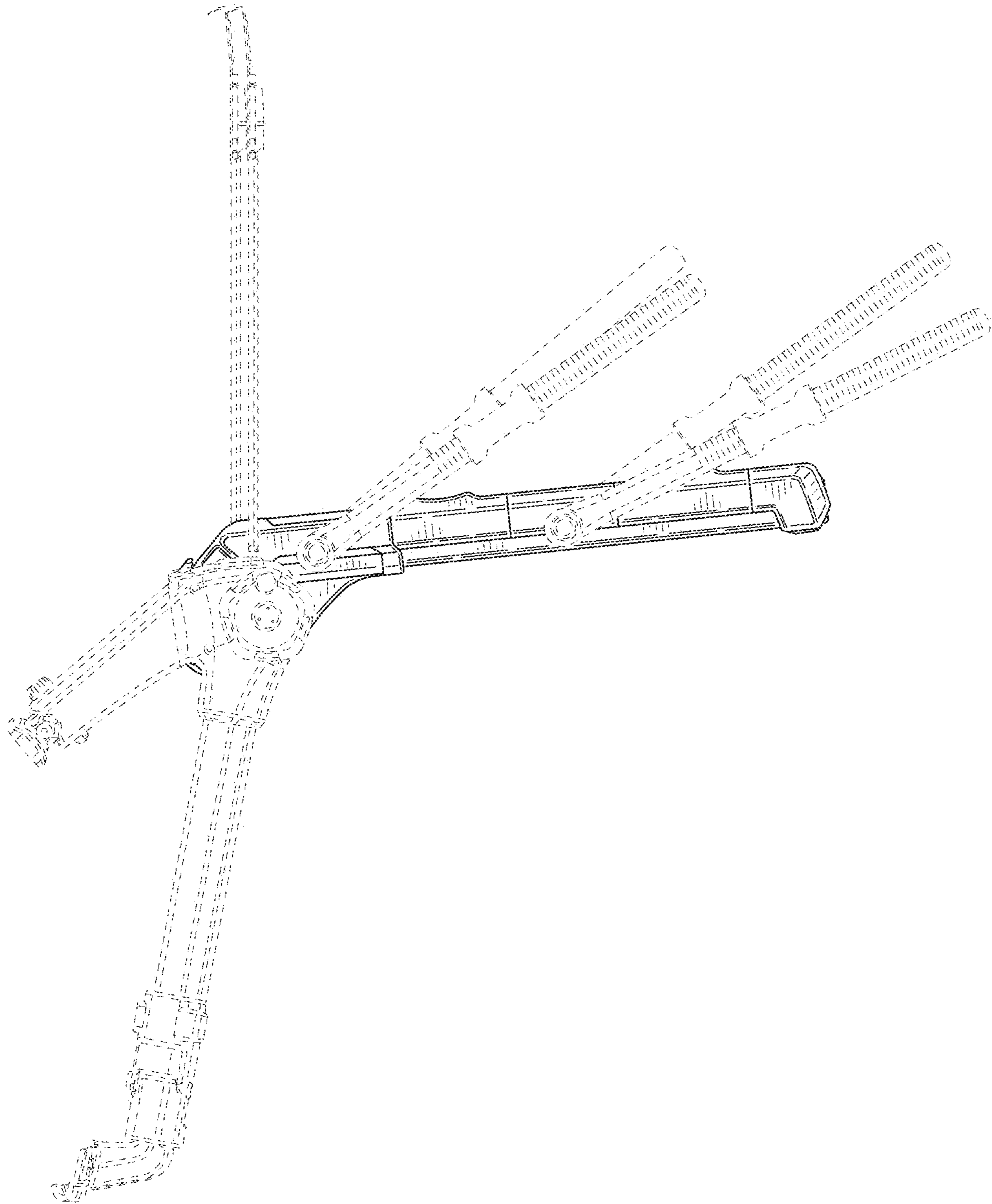


FIG. 5

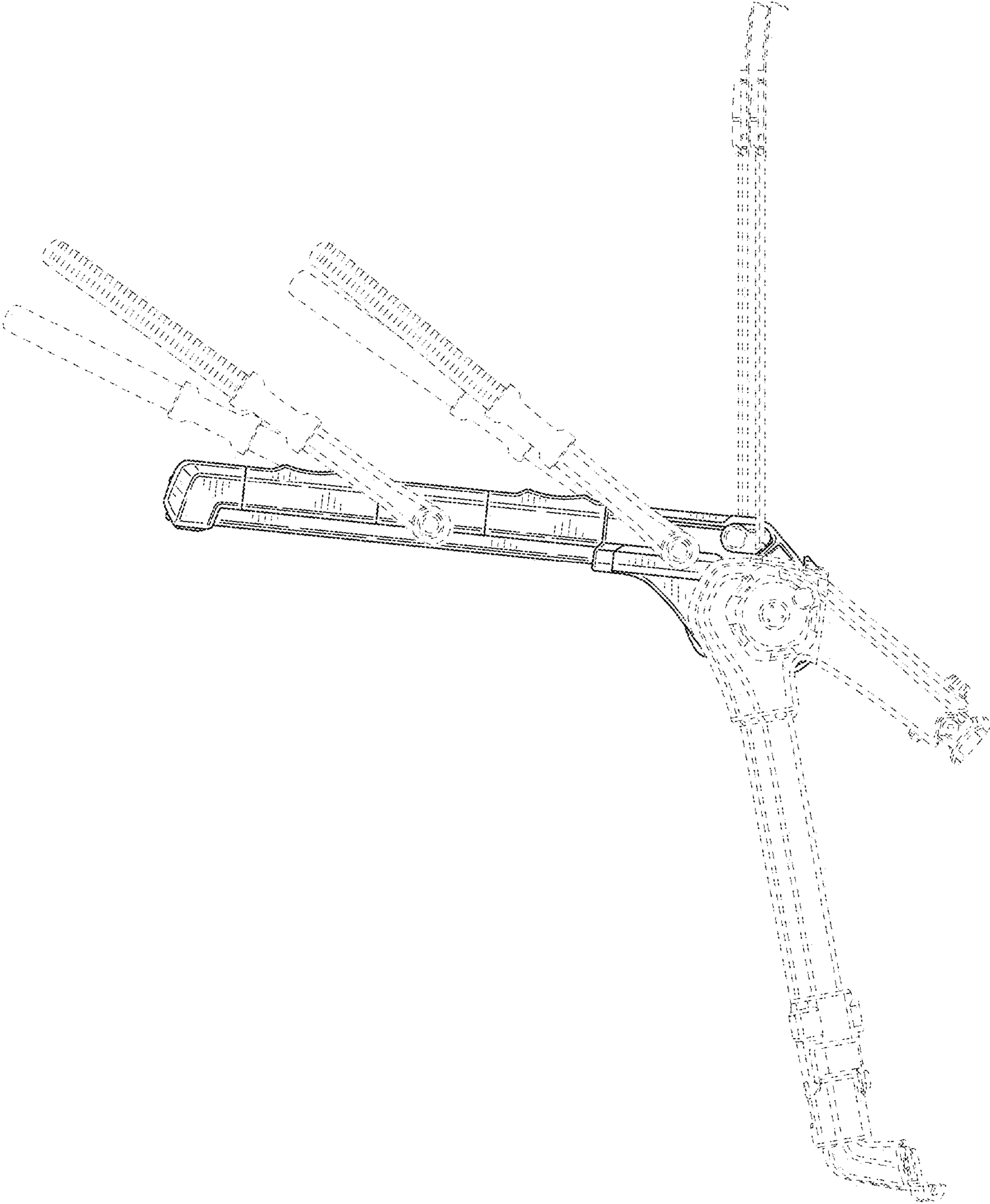


FIG. 6



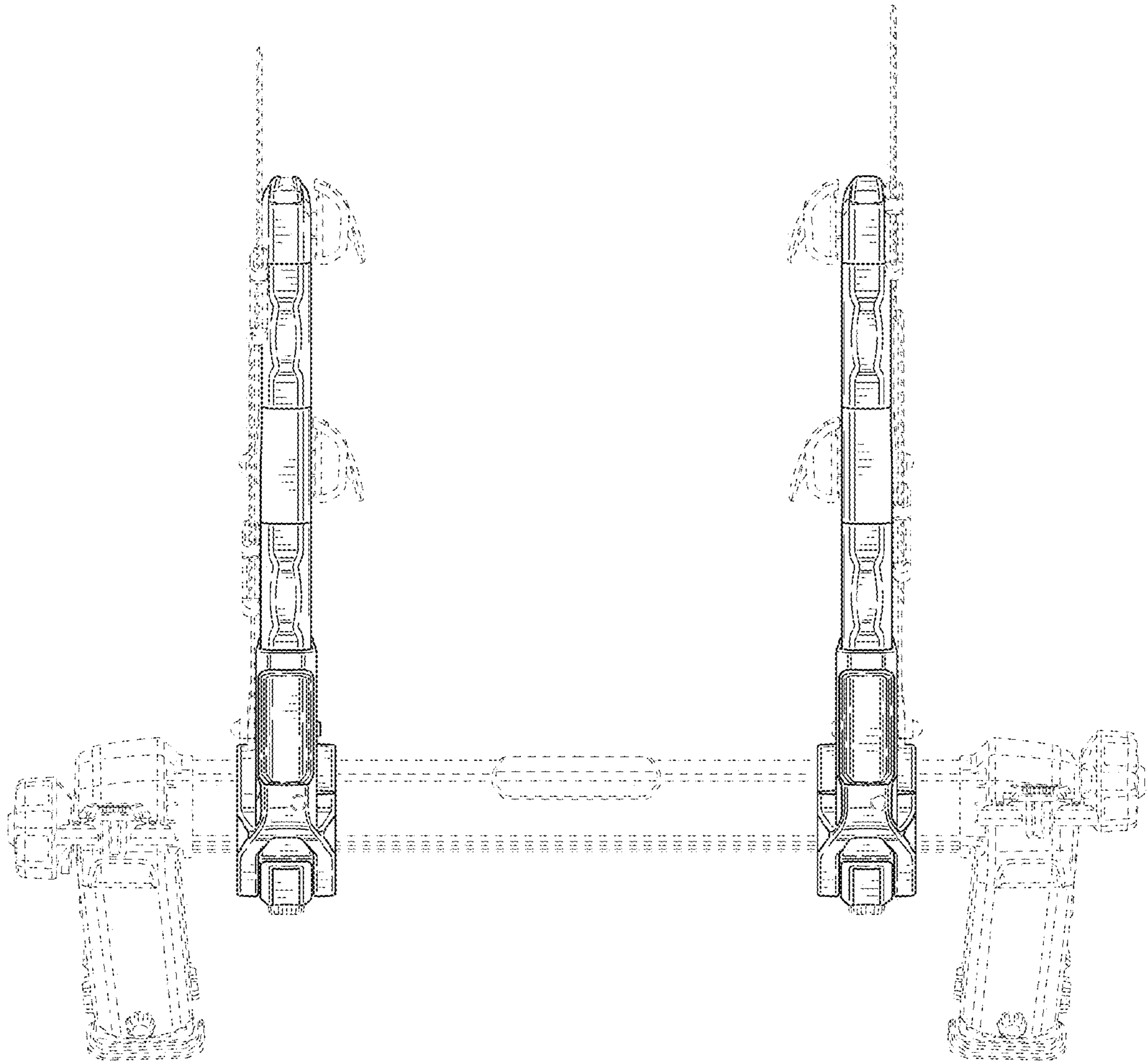


FIG. 7

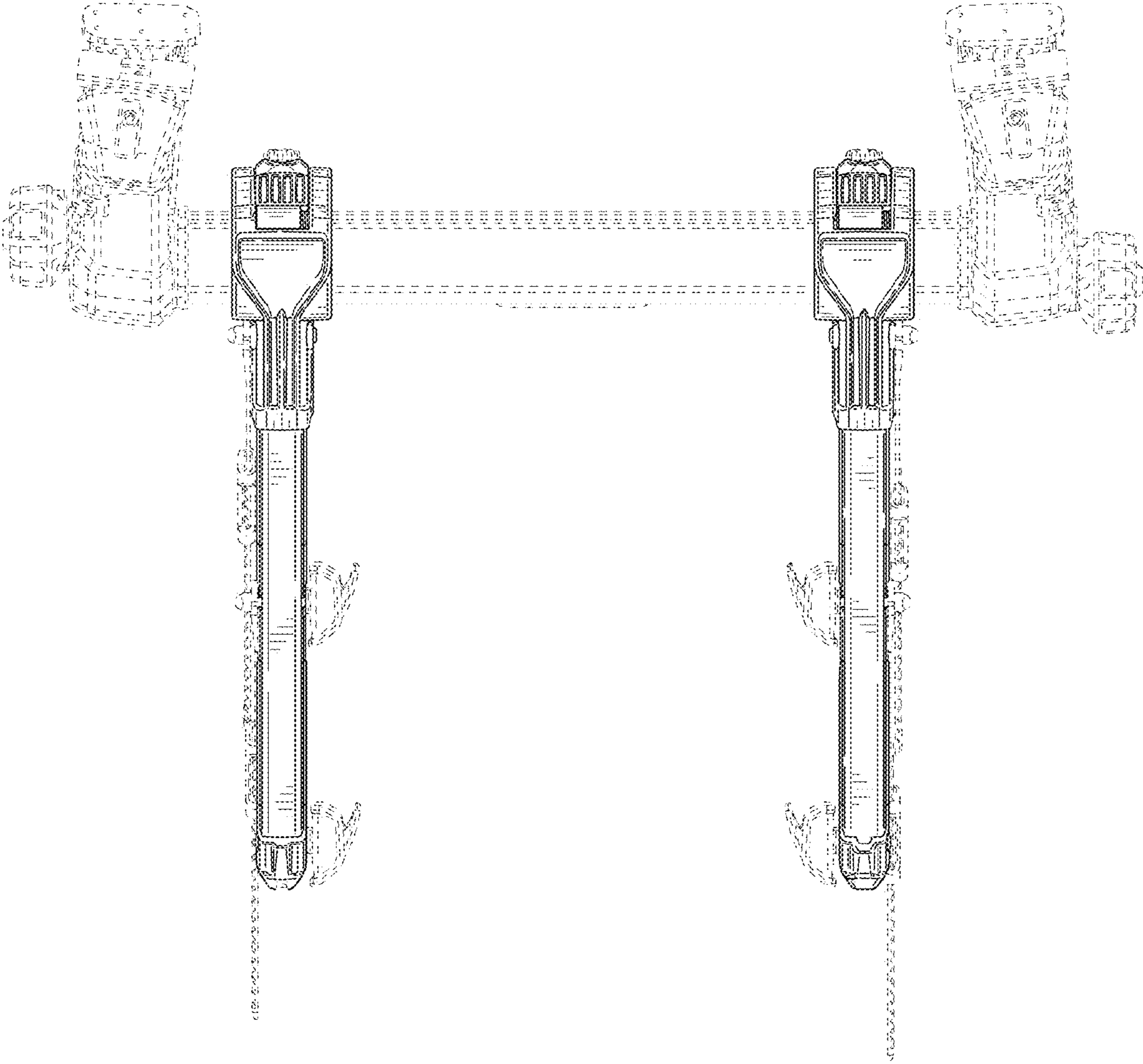


FIG. 8