



US00D985467S

(12) **United States Design Patent**  
**Ting**

(10) **Patent No.:** **US D985,467 S**

(45) **Date of Patent:** **\*\* May 9, 2023**

(54) **REAR WINDOW PROTECTOR FOR TRUCK**

(71) Applicant: **Tailai Ting**, Pomona, CA (US)

(72) Inventor: **Tailai Ting**, Pomona, CA (US)

(\*\*) Term: **15 Years**

(21) Appl. No.: **29/754,951**

(22) Filed: **Oct. 15, 2020**

(51) **LOC (14) Cl.** ..... **12-16**

(52) **U.S. Cl.**  
USPC ..... **D12/406**

(58) **Field of Classification Search**  
USPC ..... D12/406-414; D3/58, 35; D6/513-514,  
D6/317-319

CPC ..... B62J 9/003; B62J 7/06; B62J 9/001  
See application file for complete search history.

(56) **References Cited**

**U.S. PATENT DOCUMENTS**

D229,688 S *	12/1973	Feth .....	D12/406
D363,460 S *	10/1995	Marshall .....	D12/406
D672,705 S *	12/2012	Kennedy .....	D12/412
D763,170 S *	8/2016	Marankie .....	D12/414
D840,905 S *	2/2019	Parzyck .....	D12/222

D857,603 S *	8/2019	Mosingo .....	D12/222
D877,041 S *	3/2020	Moctezuma .....	D12/412
D915,998 S *	4/2021	Guo .....	D12/414
D931,780 S *	9/2021	Lee .....	D12/406
D977,871 S *	2/2023	Gwinn .....	D6/552
2018/0118148 A1 *	5/2018	Parzyck .....	B60R 21/02
2019/0210663 A1 *	7/2019	Binley .....	B60R 9/06

\* cited by examiner

*Primary Examiner* — Katrina A Betton

(57) **CLAIM**

The ornamental design for a rear window protector for truck, as shown.

**DESCRIPTION**

FIG. 1 is a perspective view of a hook for rack showing my new design.

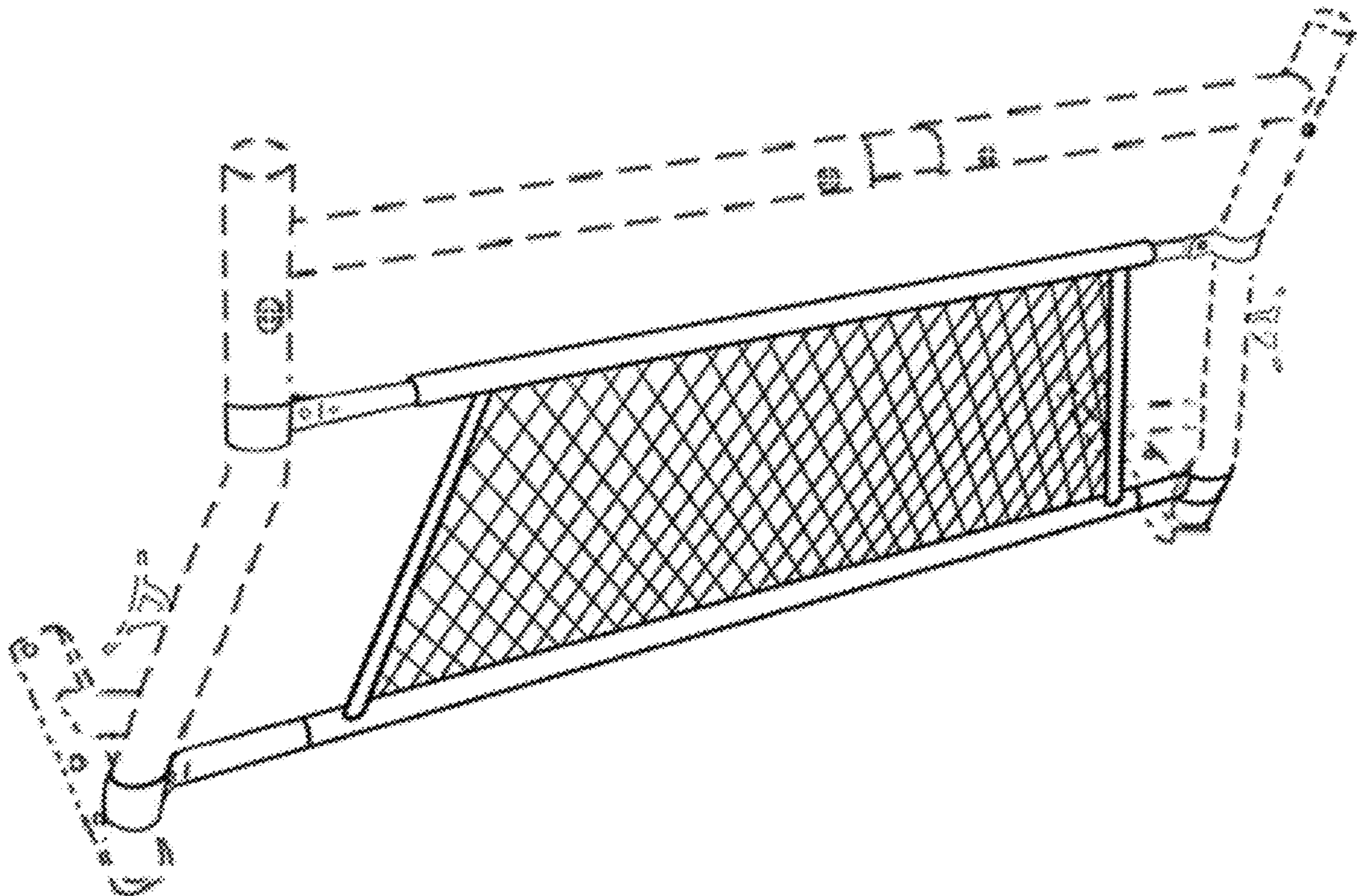
FIG. 2 is a front elevational view thereof;

FIG. 3 is a bottom plan view thereof; and,

FIG. 4 is a rear elevational view thereof.

The truck rack is shown in broken lines for illustrative purposes only and forms no part of the claimed design.

**1 Claim, 4 Drawing Sheets**



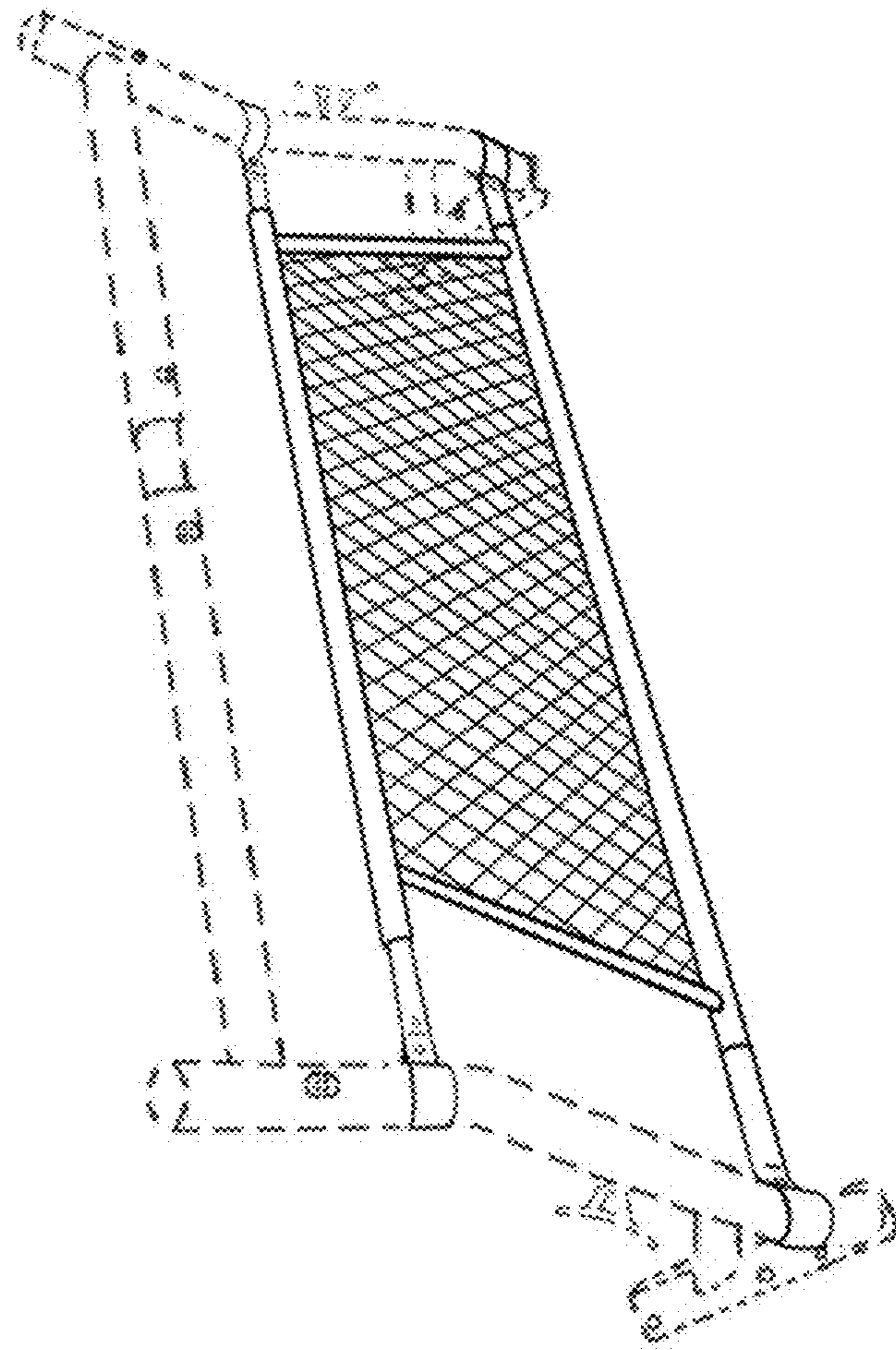


FIG. 1

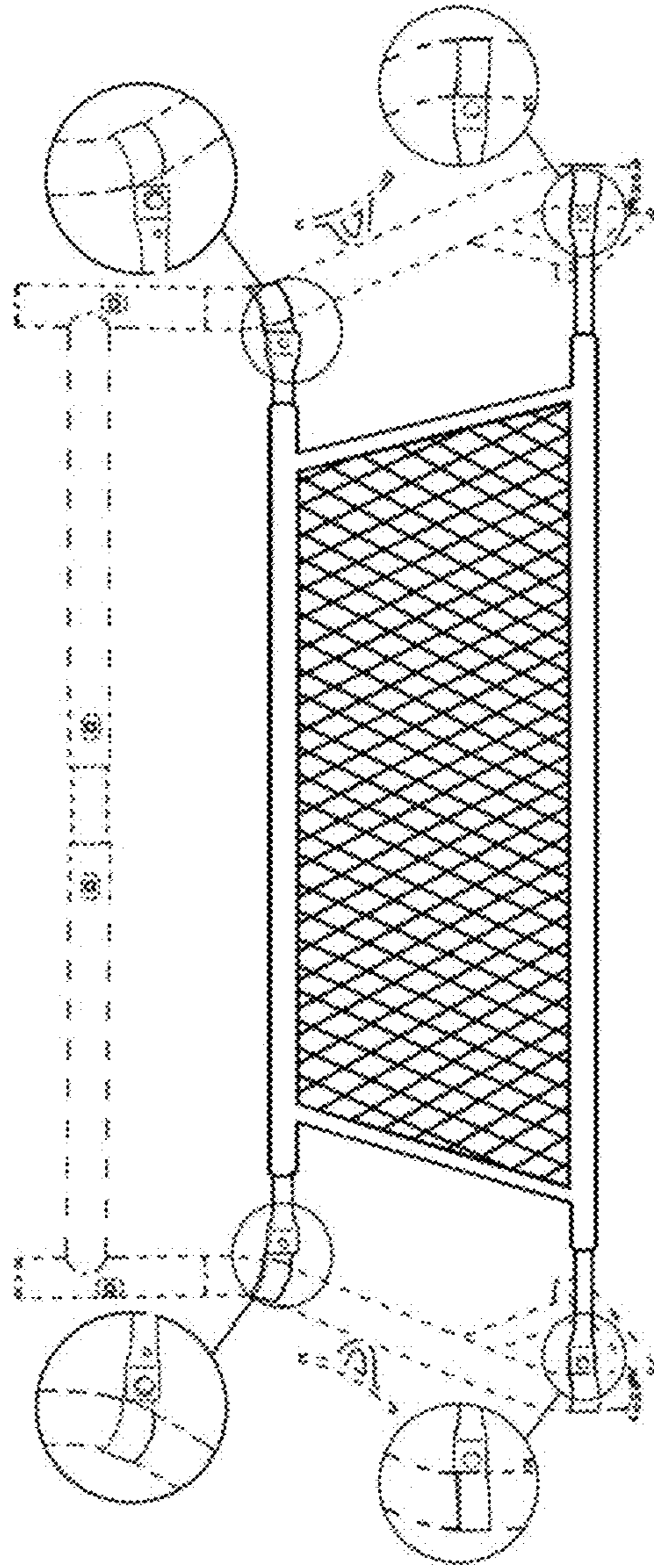


FIG. 2

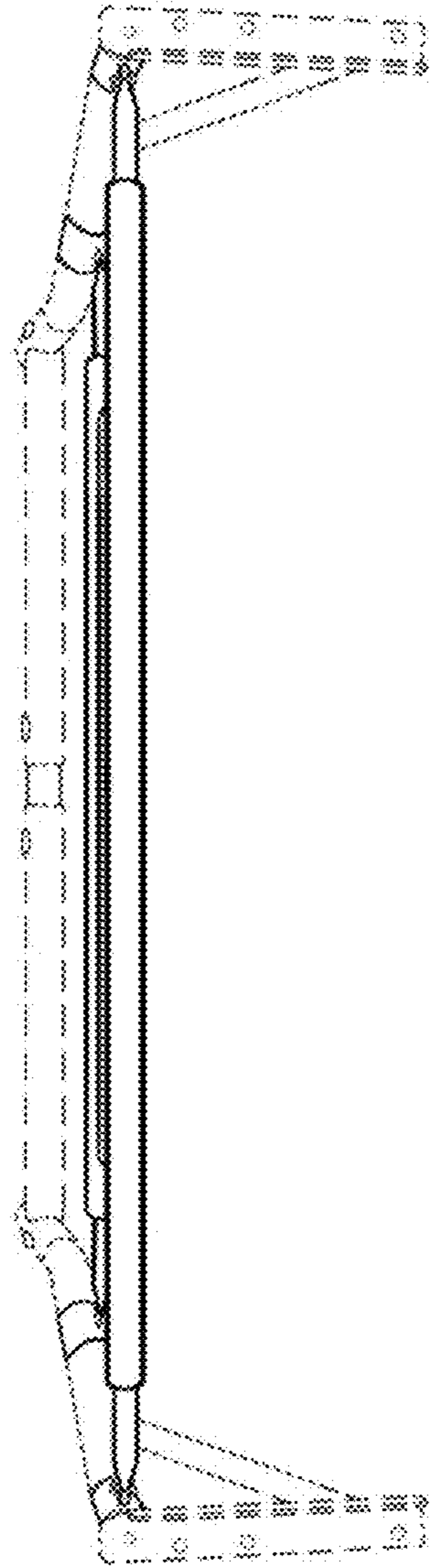


FIG. 3

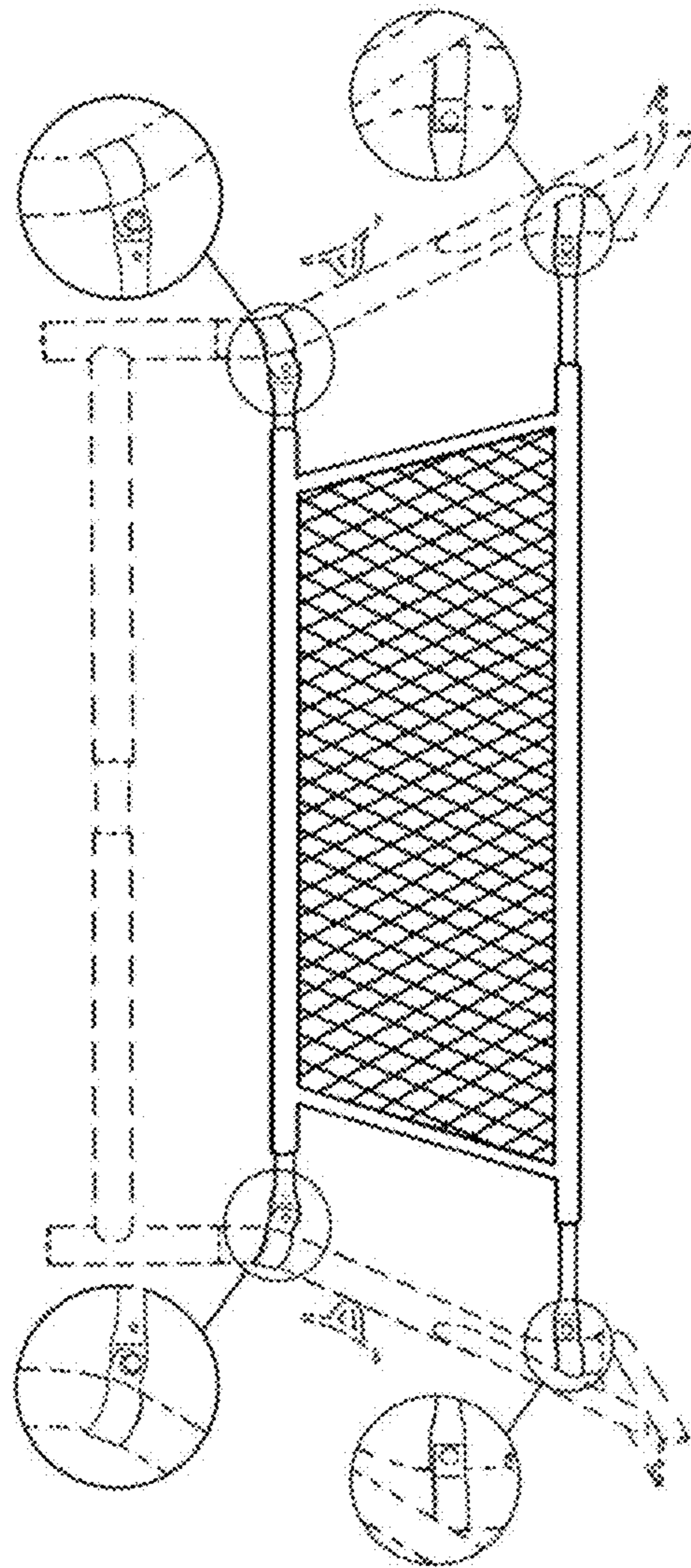


FIG. 4