



US00D985466S

(12) **United States Design Patent**  
**Lonnberg et al.**

(10) **Patent No.:** **US D985,466 S**

(45) **Date of Patent:** **\*\* May 9, 2023**

(54) **EDGE PROTECTOR FOR CARGO TRANSPORT**

(71) Applicants: **Theodore Lonnberg**, Portland, OR (US); **Casey Fordyce**, Portland, OR (US)

(72) Inventors: **Theodore Lonnberg**, Portland, OR (US); **Casey Fordyce**, Portland, OR (US)

(73) Assignee: **American Railroad Supply, LLC**, Portland, OR (US)

(\*\*) Term: **15 Years**

(21) Appl. No.: **29/751,813**

(22) Filed: **Sep. 23, 2020**

(51) **LOC (14) Cl.** ..... **12-16**

(52) **U.S. Cl.**  
USPC ..... **D12/403**

(58) **Field of Classification Search**  
USPC ..... D8/349, 354, 380, 403; D9/456;  
D12/42, 43, 44, 45, 46, 47, 48, 49, 50, 51  
CPC .... B61D 45/00; B61D 45/001; B61D 45/002;  
B61D 45/007  
See application file for complete search history.

(56) **References Cited**

**U.S. PATENT DOCUMENTS**

D192,385 S \* 3/1962 Anderson ..... D8/383  
3,073,439 A \* 1/1963 Symmonds, Jr. .... B60P 7/0869  
24/DIG. 11

D225,829 S \* 1/1973 Szabo ..... D8/403  
D410,381 S \* 6/1999 Johnson, III ..... D20/27  
D589,632 S \* 3/2009 Ryan ..... D25/126  
D630,095 S \* 1/2011 Dickner ..... D9/456  
D771,485 S \* 11/2016 Bartleet ..... D8/403  
D852,614 S \* 7/2019 Schloss ..... D8/403  
D853,833 S \* 7/2019 Stanley ..... D8/403  
D874,258 S \* 2/2020 Stanley ..... D8/403  
D874,259 S \* 2/2020 Stanley ..... D8/403  
2020/0171997 A1 \* 6/2020 Van Berlo ..... B60P 7/0807  
2021/0023978 A1 \* 1/2021 Lonnberg ..... B61D 45/007

\* cited by examiner

*Primary Examiner* — Cary M Robinson

*Assistant Examiner* — Adam C Mager

(74) *Attorney, Agent, or Firm* — Mohr Intellectual Property Law Solutions, PC

(57) **CLAIM**

The ornamental design for an edge protector for cargo transport, as shown and described.

**DESCRIPTION**

FIG. 1 is a front-right perspective view of an edge protector for cargo transport.

FIG. 2 is rear-right perspective view thereof

FIG. 3 is a front elevation view thereof.

FIG. 4 is a rear elevation view thereof.

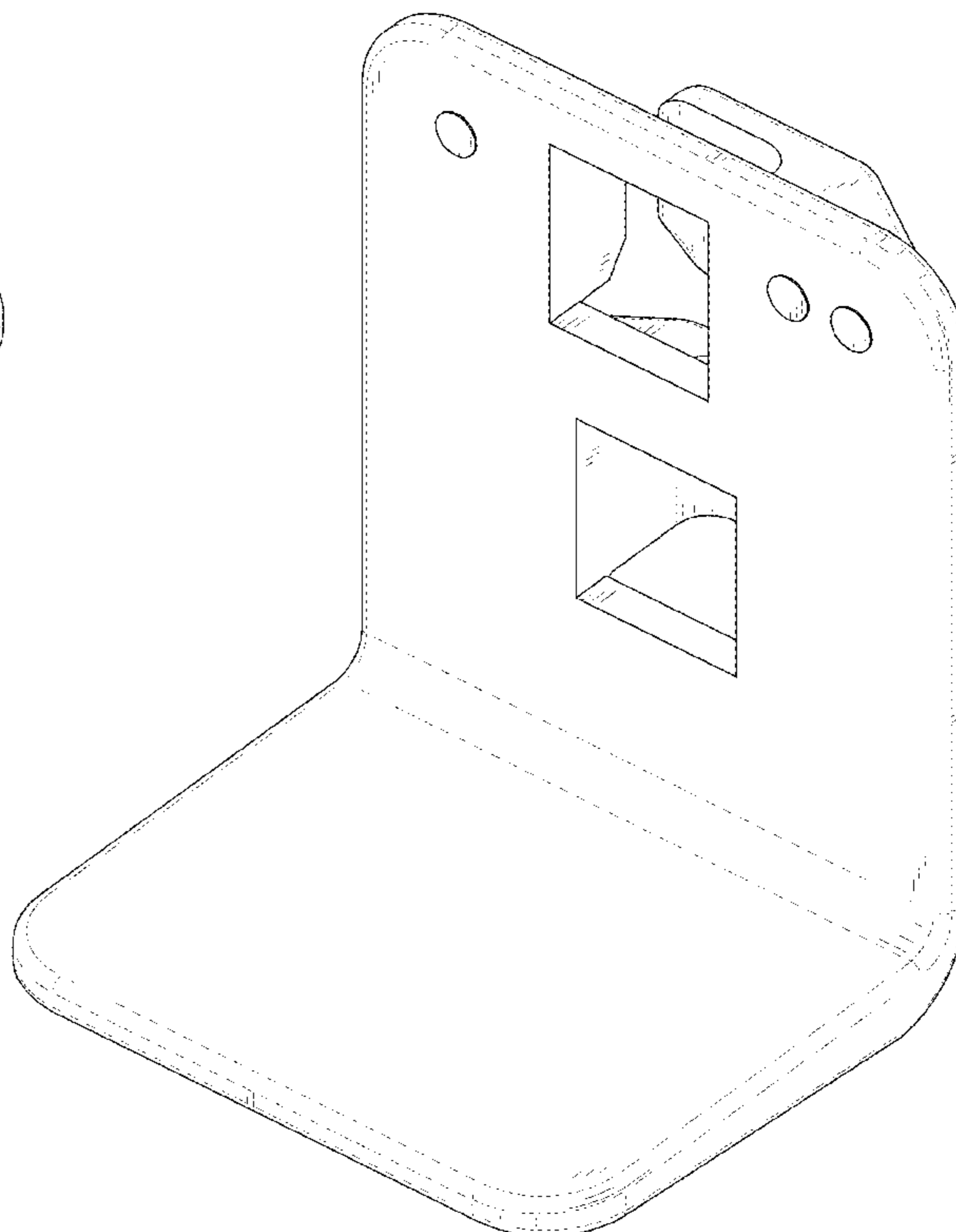
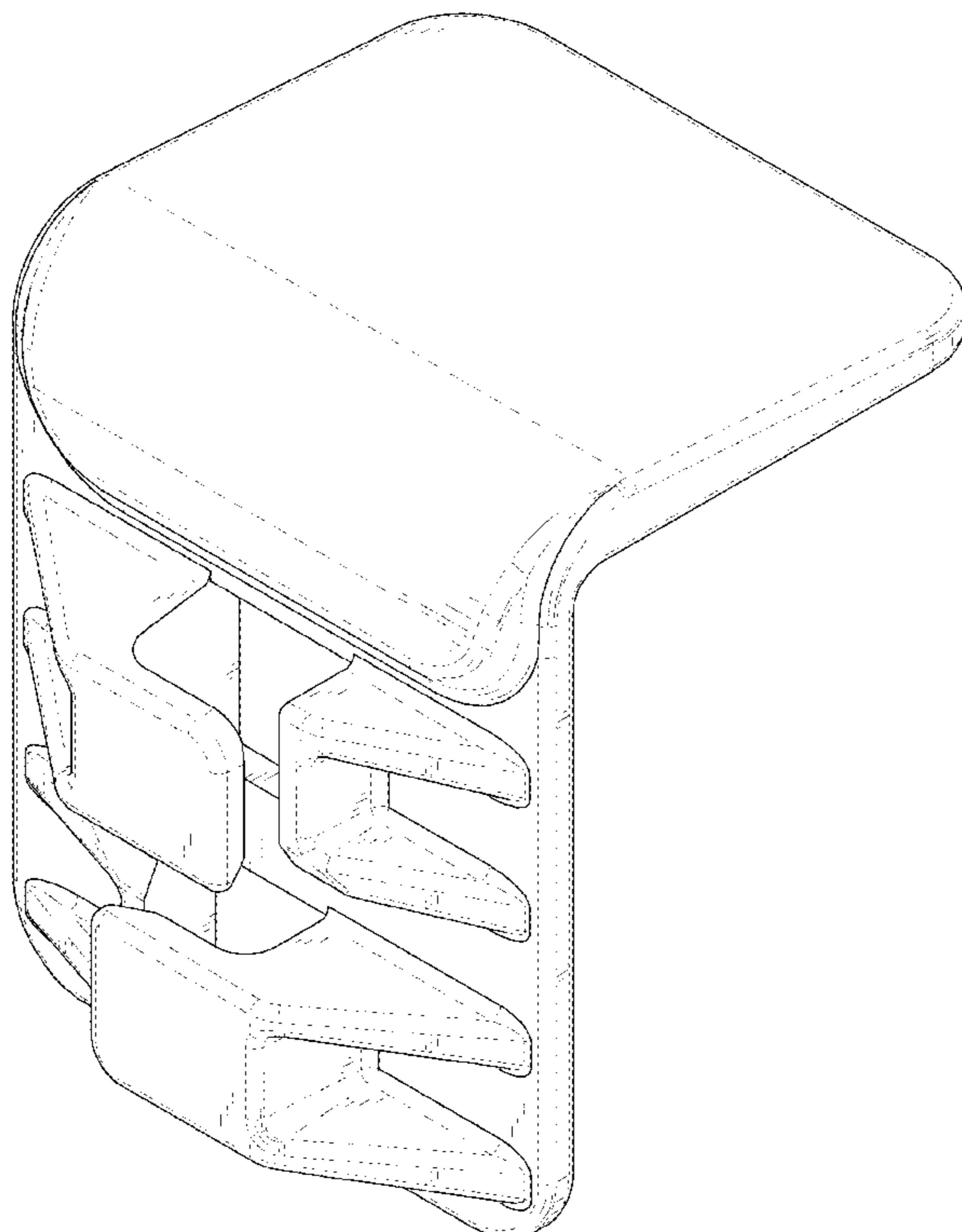
FIG. 5 is a right-side elevation view thereof.

FIG. 6 is a left-side elevation view thereof.

FIG. 7 is a top plan view thereof; and,

FIG. 8 is a bottom plan view thereof.

**1 Claim, 8 Drawing Sheets**



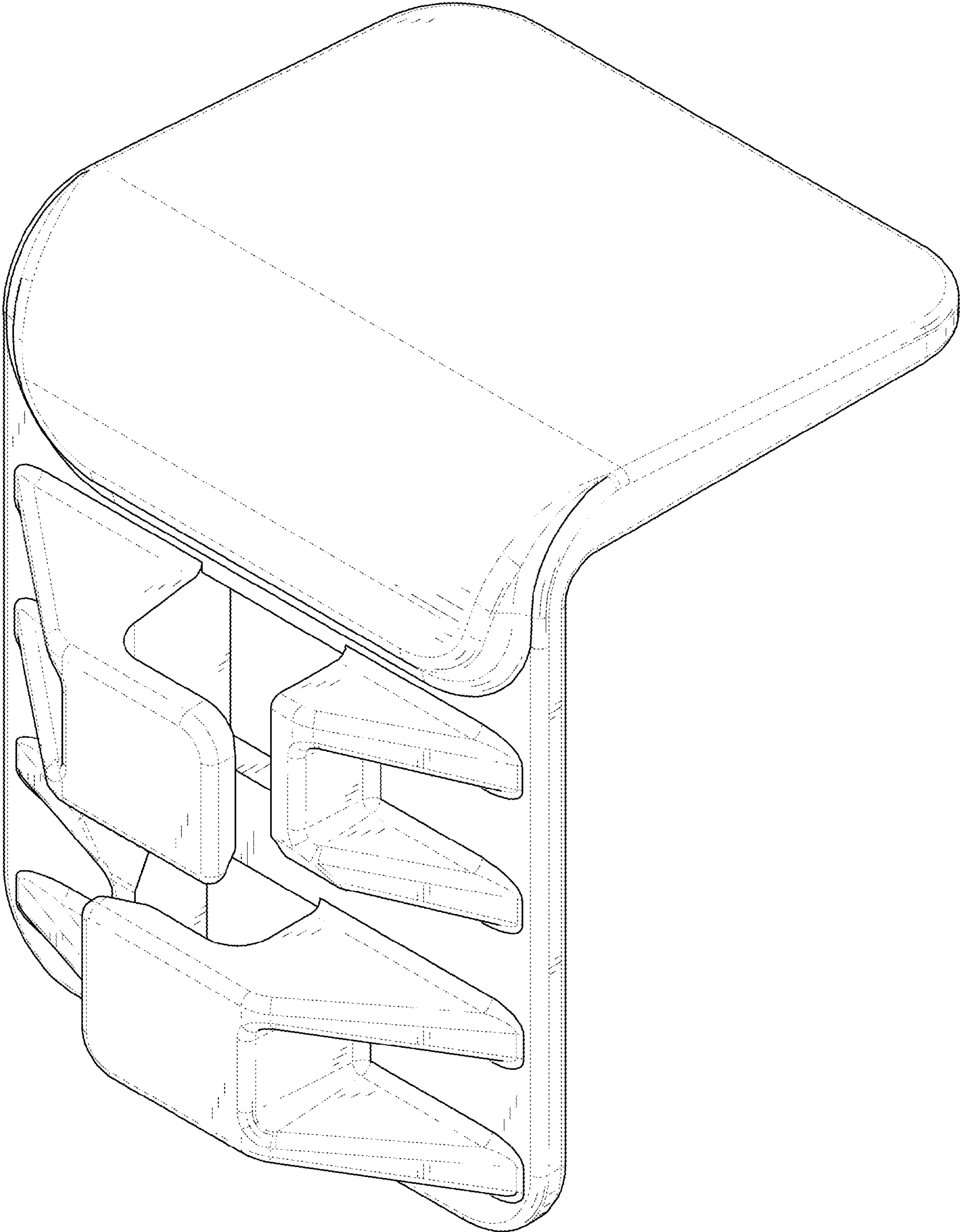


FIG. 1

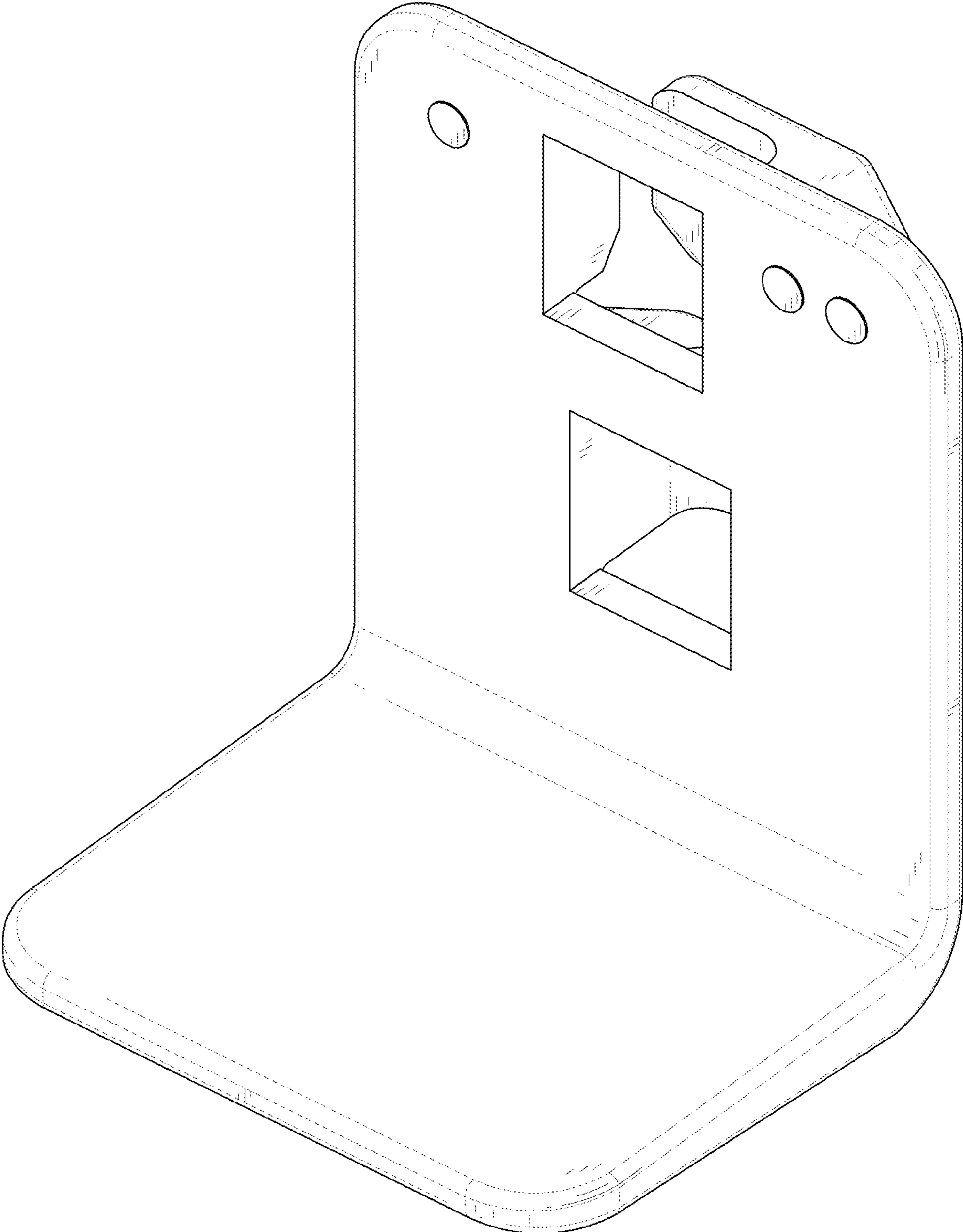


FIG. 2

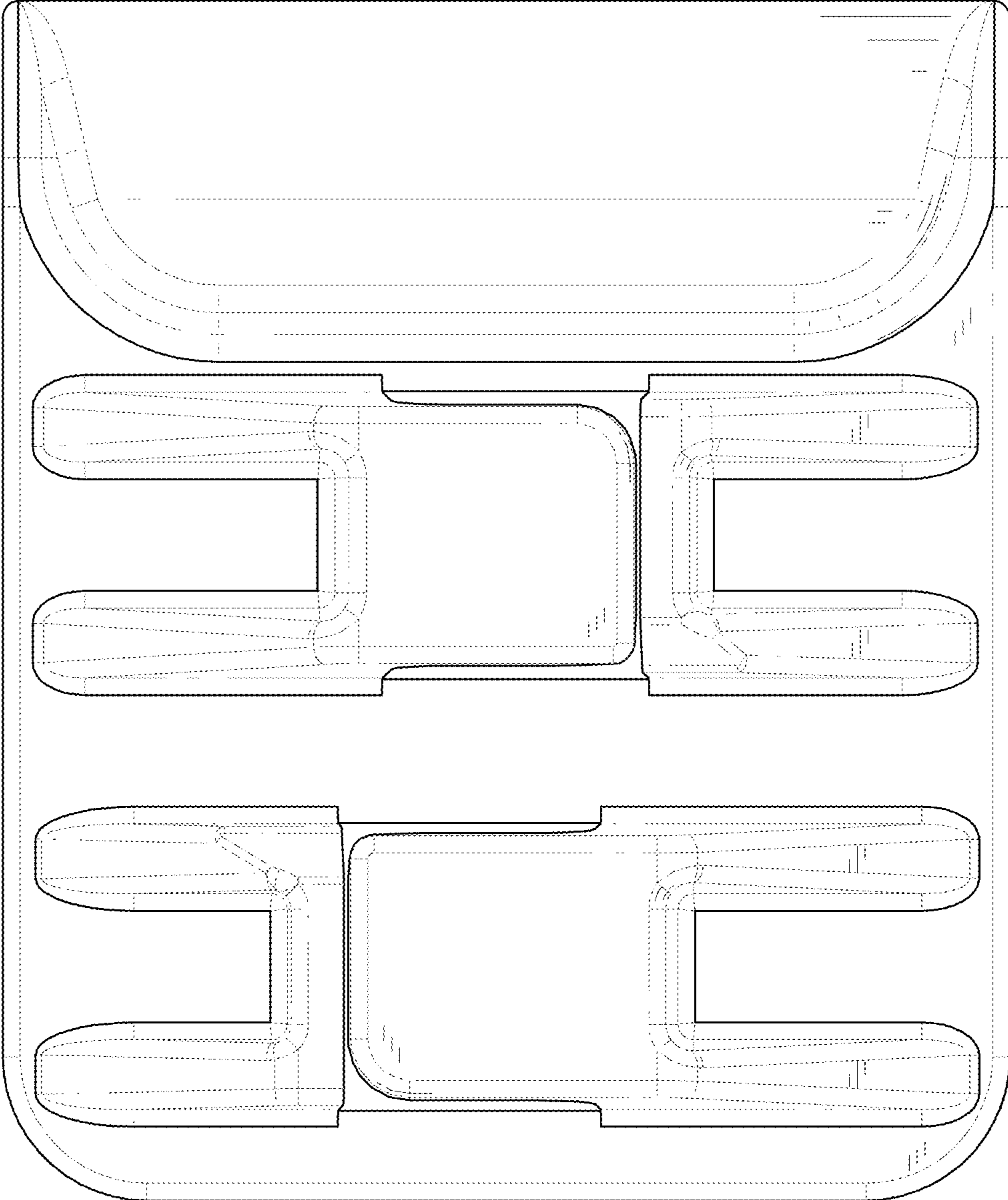


FIG. 3

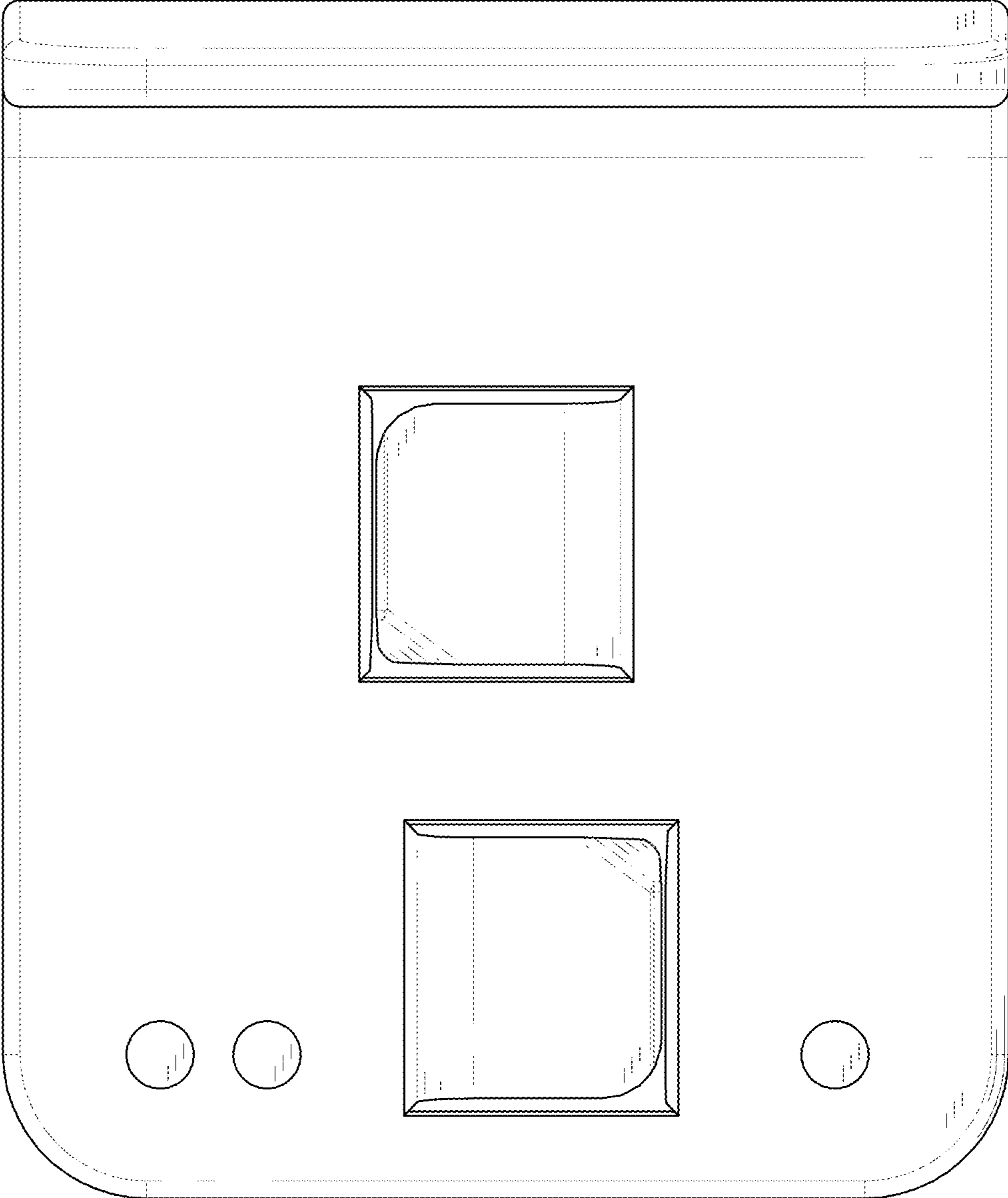


FIG. 4

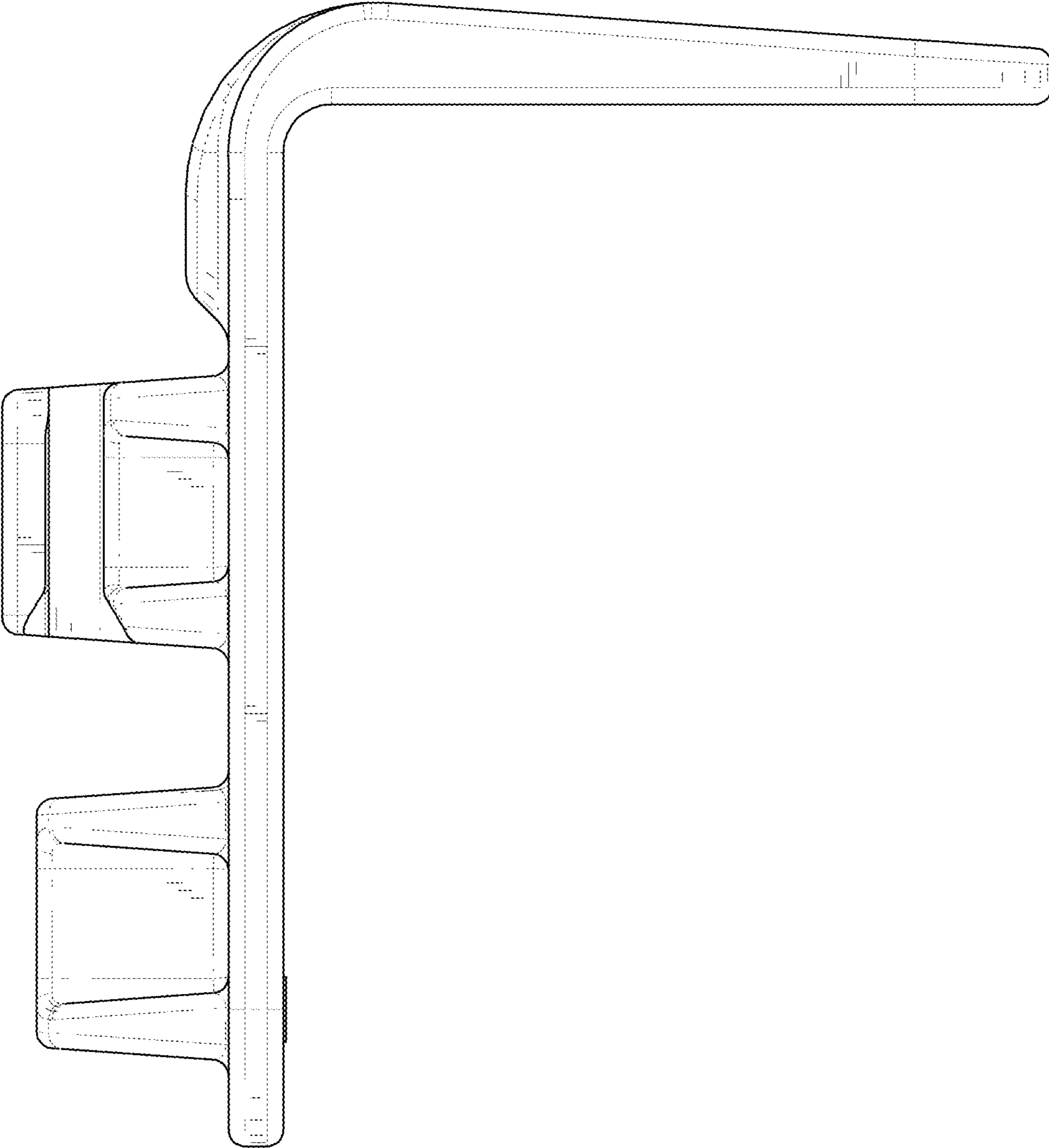


FIG. 5

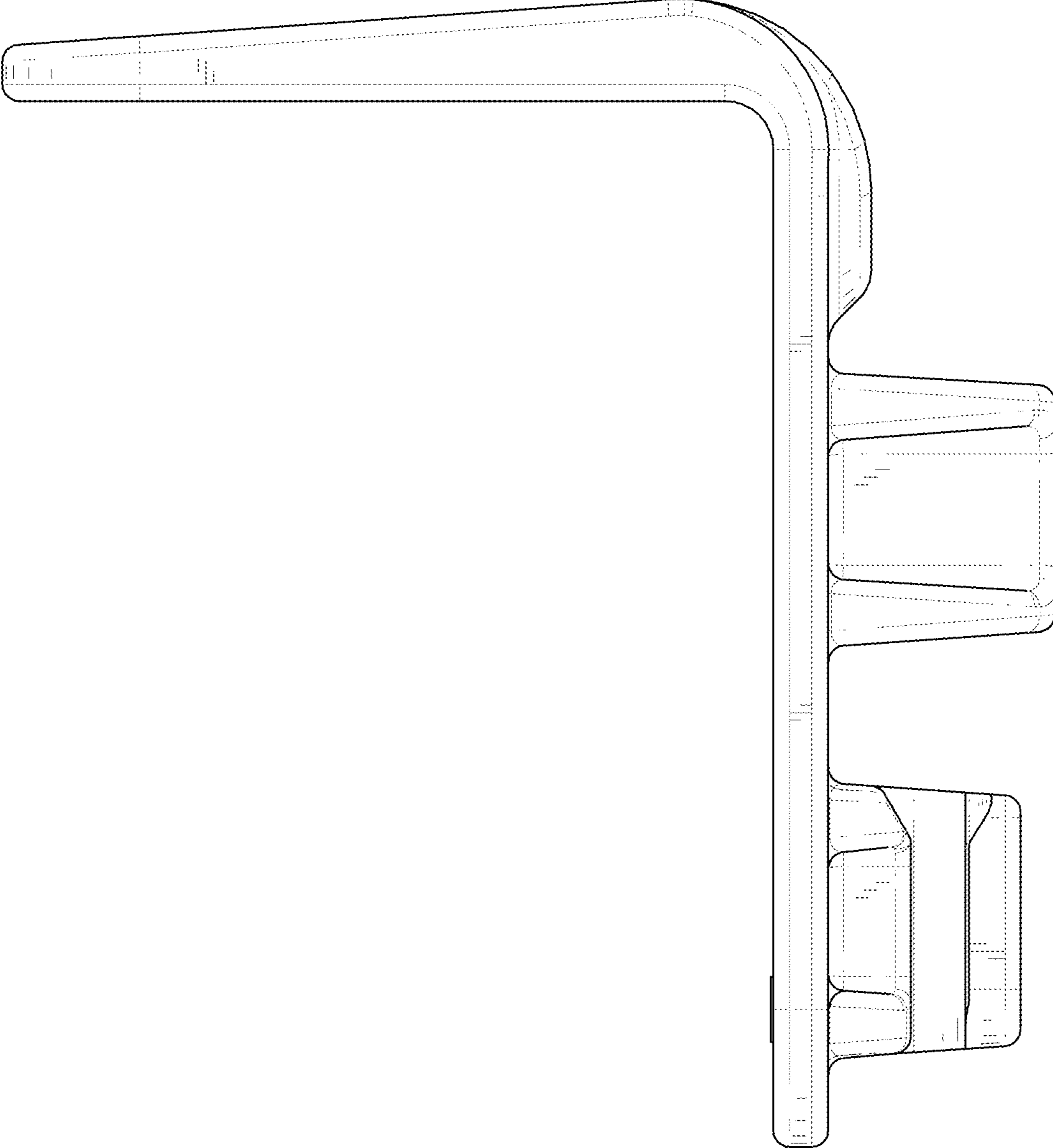


FIG. 6

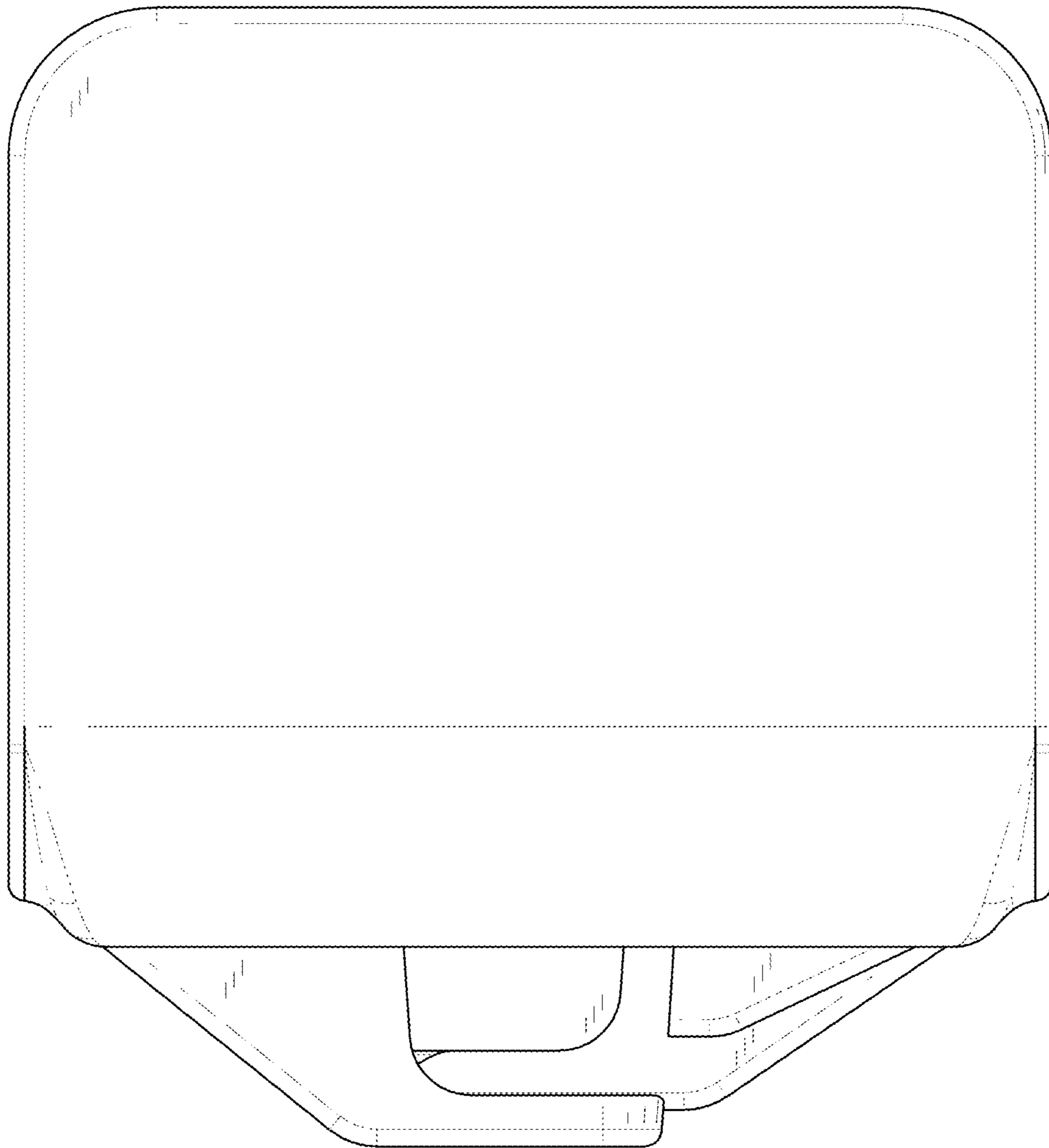


FIG. 7



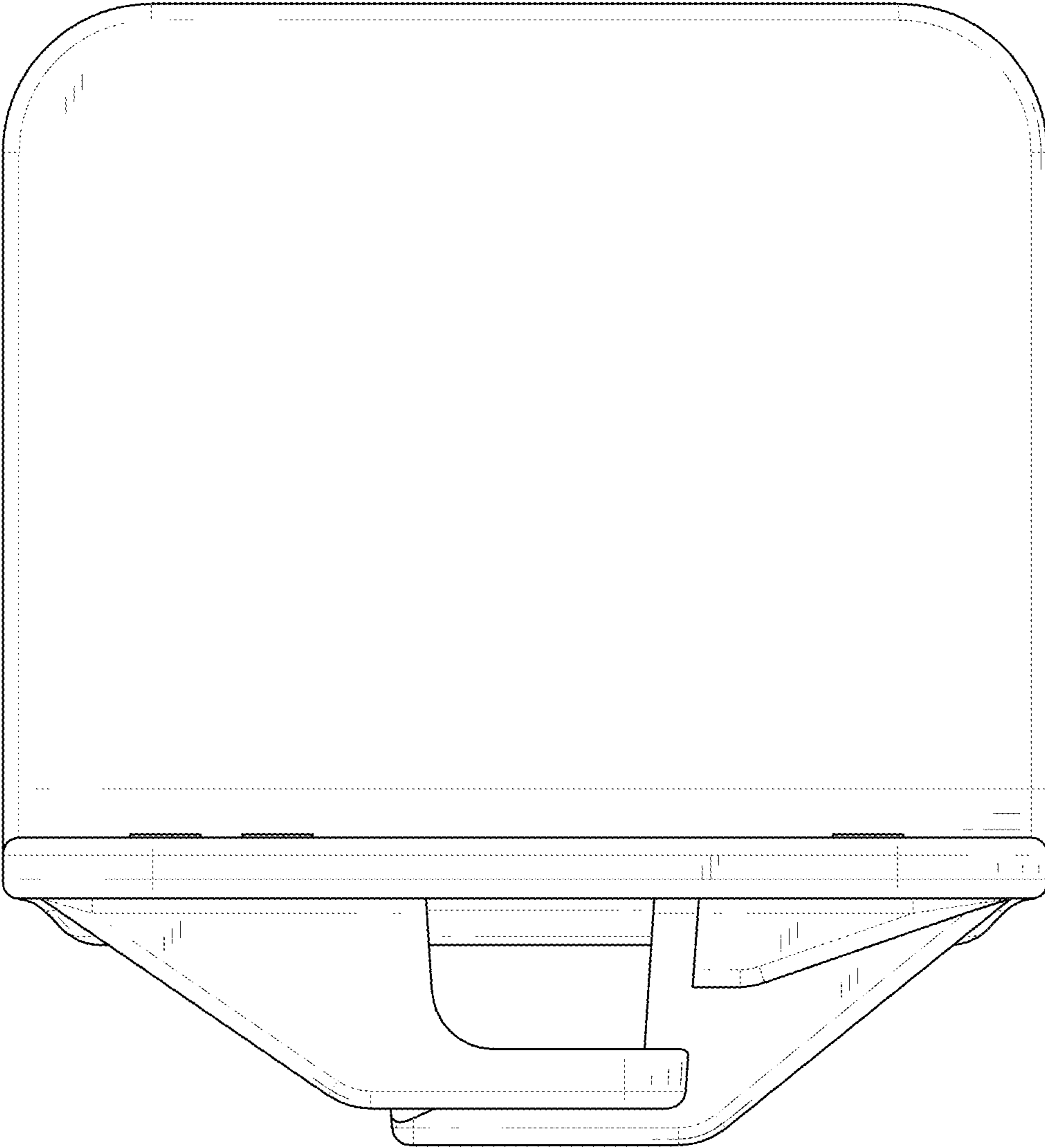


FIG. 8