



US00D985465S

(12) **United States Design Patent** (10) **Patent No.:** **US D985,465 S**
Shim (45) **Date of Patent:** **** May 9, 2023**

(54) **FUEL TANK WITH CAP FOR DRONE**
(71) Applicant: **DOOSAN MOBILITY INNOVATION INC.**, Yongin-si (KR)
(72) Inventor: **Gyu Jung Shim**, Anyang-si (KR)
(**) Term: **15 Years**
(21) Appl. No.: **29/761,121**
(22) Filed: **Dec. 7, 2020**

Related U.S. Application Data

(62) Division of application No. 35/507,964, filed on Feb. 27, 2019 (U.S. filing date under 35 U.S.C. 384), and having an international filing date of Feb. 27, 2019, now Pat. No. Des. 934,957.

(30) **Foreign Application Priority Data**

Aug. 31, 2018 (KR) 30-2018-0040720
Aug. 31, 2018 (KR) 30-2018-0040721
Aug. 31, 2018 (KR) 30-2018-0040725
Aug. 31, 2018 (KR) 30-2018-0040726
Aug. 31, 2018 (KR) 30-2018-0040727
Sep. 4, 2018 (KR) 30-2018-0041212

(51) **LOC (14) Cl.** **12-06**

(52) **U.S. Cl.**
USPC **D12/218**

(58) **Field of Classification Search**
USPC D12/110, 197, 218, 223; D9/435-454;
D15/1, 3, 5, 17, 28; D23/205, 211.2;
D27/141-160
CPC B60K 15/03; B60K 15/07; B62J 35/00;
B62K 11/00; B62K 11/04
See application file for complete search history.

(56) **References Cited**

U.S. PATENT DOCUMENTS

D213,235 S * 1/1969 Jacoby D10/106.1
4,928,859 A * 5/1990 Krahn F16L 37/0841
285/317
D386,463 S * 11/1997 Garrard D12/218
D530,854 S * 10/2006 Xu D27/148
D532,359 S * 11/2006 Simpson D12/218
D537,977 S * 3/2007 Chen D23/205
D555,067 S * 11/2007 Kruger D12/218
D563,229 S * 3/2008 Dowel D9/534
7,490,864 B2 * 2/2009 Cheng F16L 37/0847
285/317
D623,575 S * 9/2010 Allmon D12/218
9,423,077 B2 * 8/2016 Adelman F17C 13/084
D788,013 S * 5/2017 Cover D12/218
D788,014 S * 5/2017 Cover D12/218
D934,957 S * 11/2021 Shim D21/441
D965,496 S * 10/2022 Proctor D12/218

(Continued)

Primary Examiner — Darlington Ly
(74) *Attorney, Agent, or Firm* — Harvest IP Law, LLP

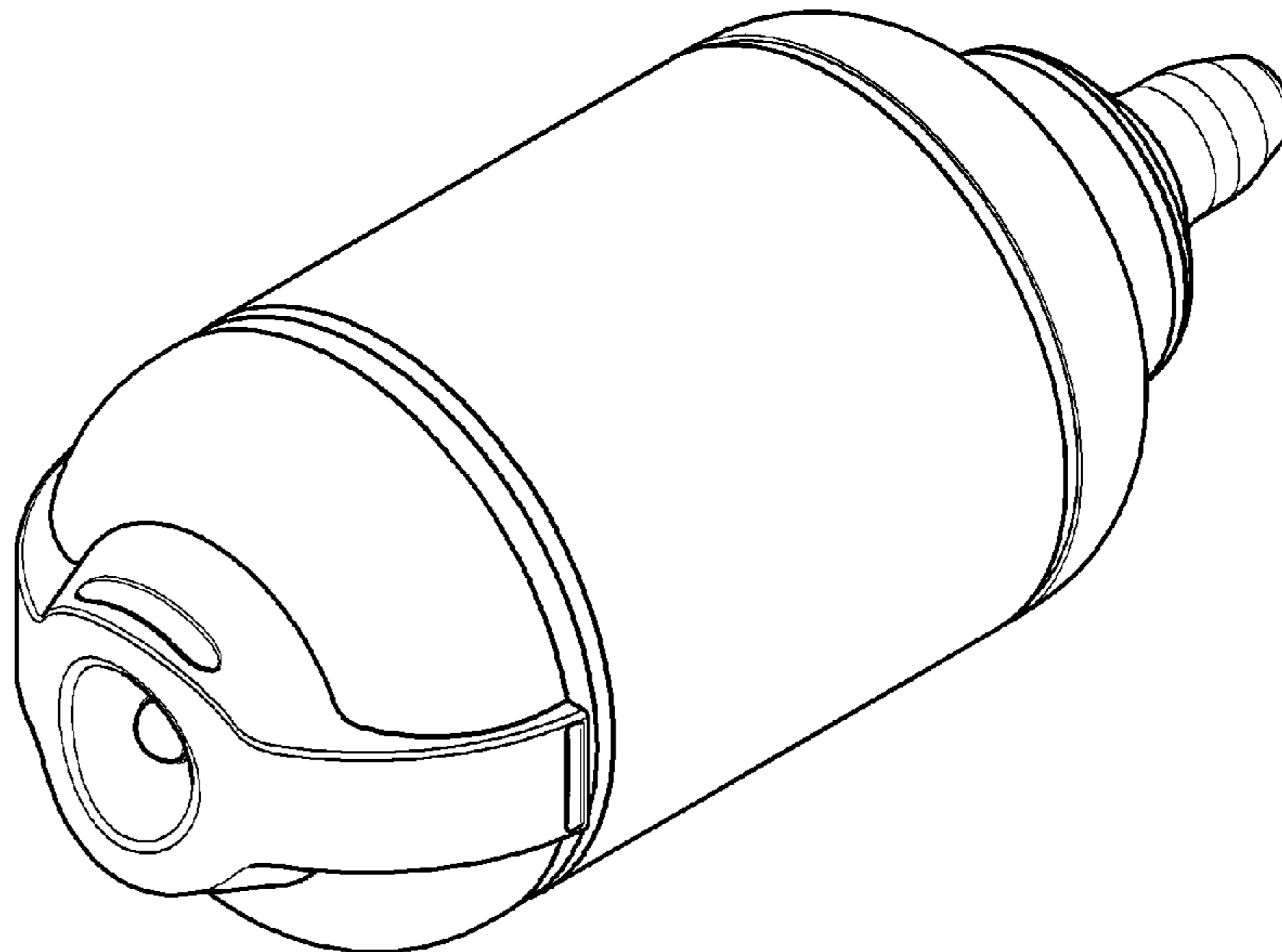
(57) **CLAIM**

The ornamental design for a fuel tank with cap for drone, as shown and described.

DESCRIPTION

FIG. 1 is a front perspective view of fuel tank with cap for drone embodying my new design;
FIG. 2 is a front view elevation view thereof;
FIG. 3 is a rear elevation view thereof;
FIG. 4 is a left side elevation view thereof;
FIG. 5 is a right side elevation view thereof;
FIG. 6 is a top plan view thereof;
FIG. 7 is a bottom plan view thereof;
FIG. 8 is a rear perspective view thereof;
FIG. 9 is a rear perspective view thereof showing the cap exploded from the fuel tank; and
FIG. 10 is a rear perspective view thereof showing the cap exploded from the fuel tank and in a state of use.

1 Claim, 10 Drawing Sheets



(56)

References Cited

U.S. PATENT DOCUMENTS

2004/0084485 A1* 5/2004 Carlton B67D 7/005
222/527
2021/0249670 A1* 8/2021 Shim H01M 8/04201
2021/0323668 A1* 10/2021 Seung B64C 25/32

* cited by examiner

FIG. 1

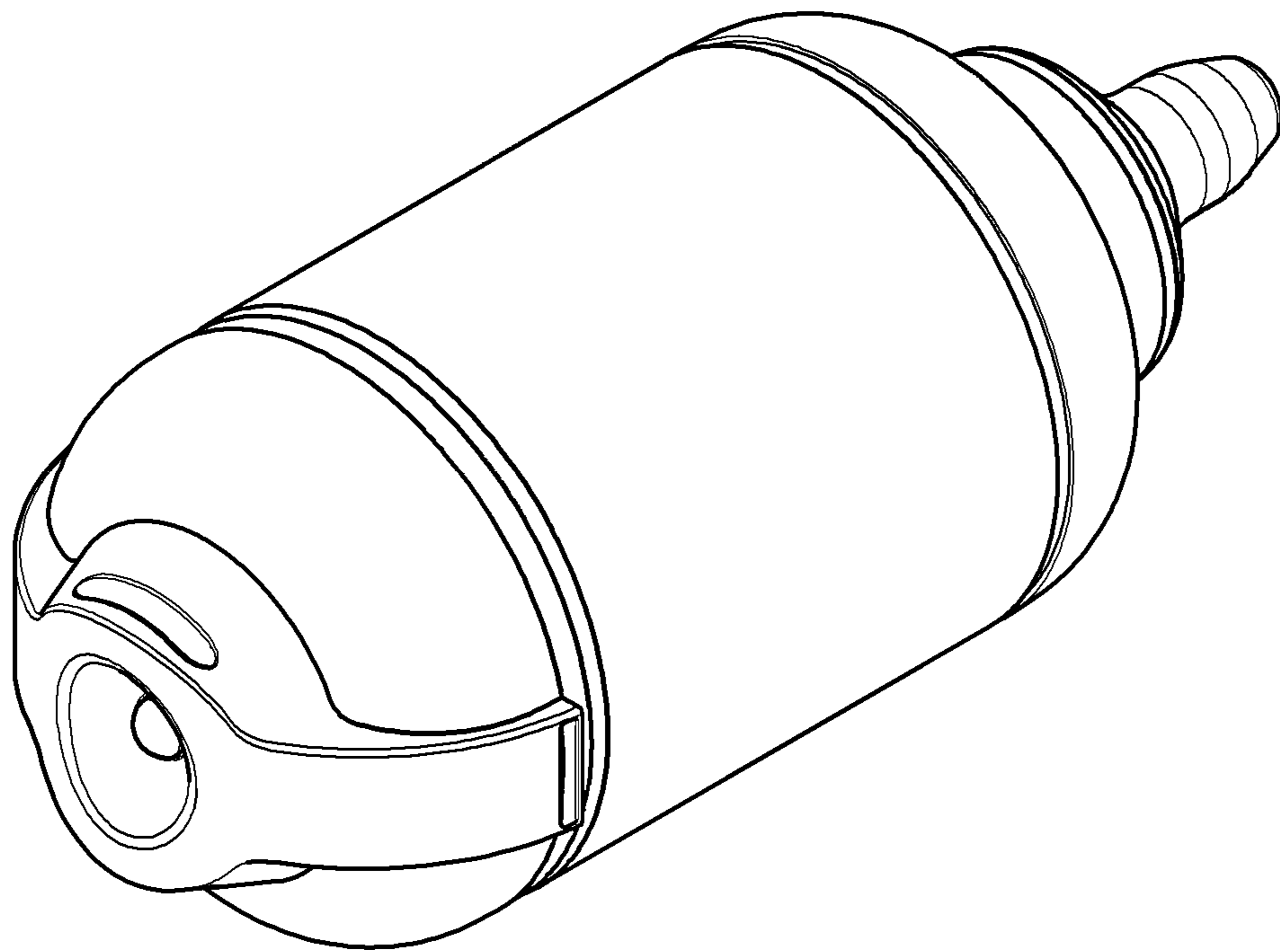


FIG. 2

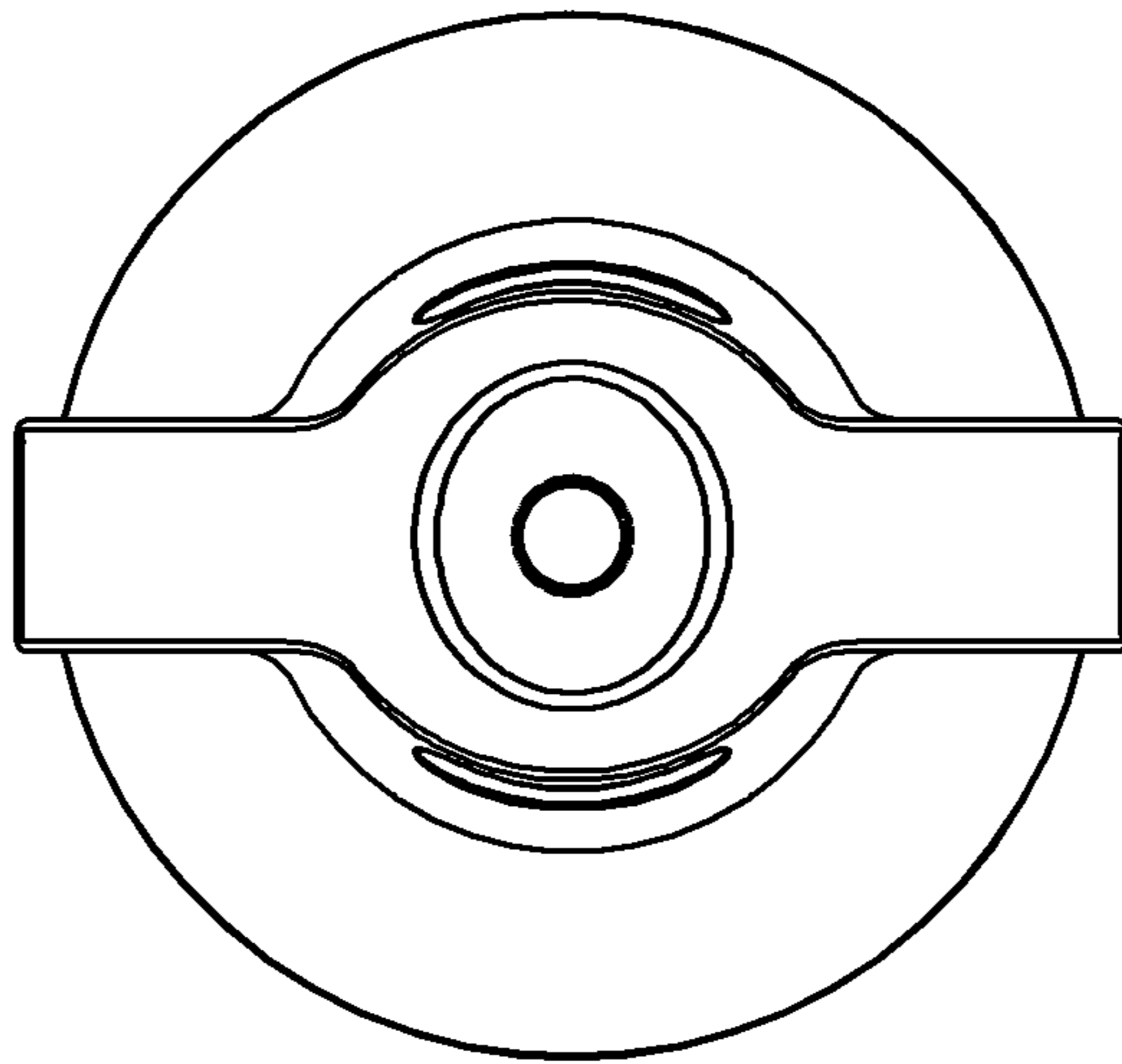


FIG. 3

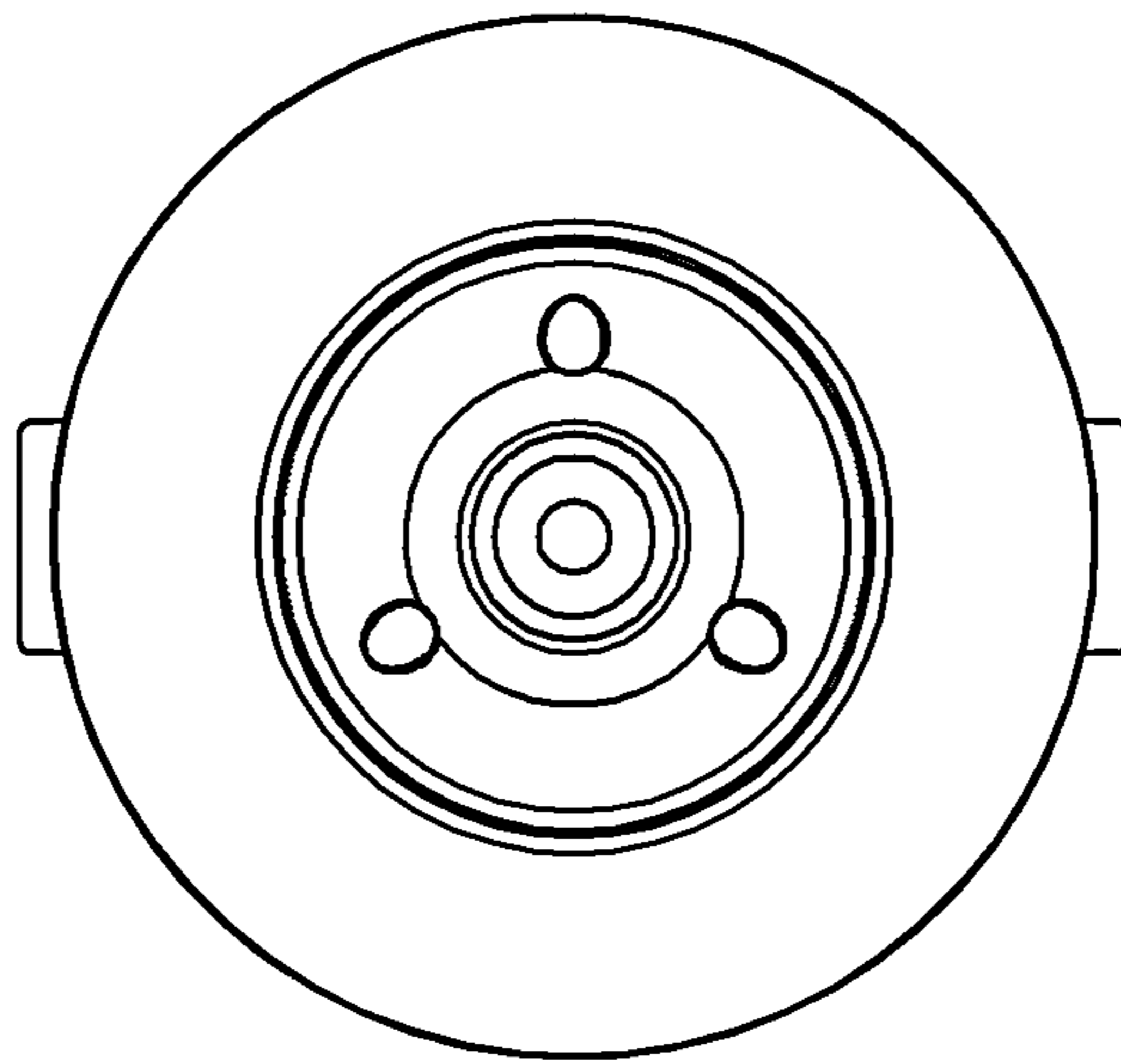


FIG. 4

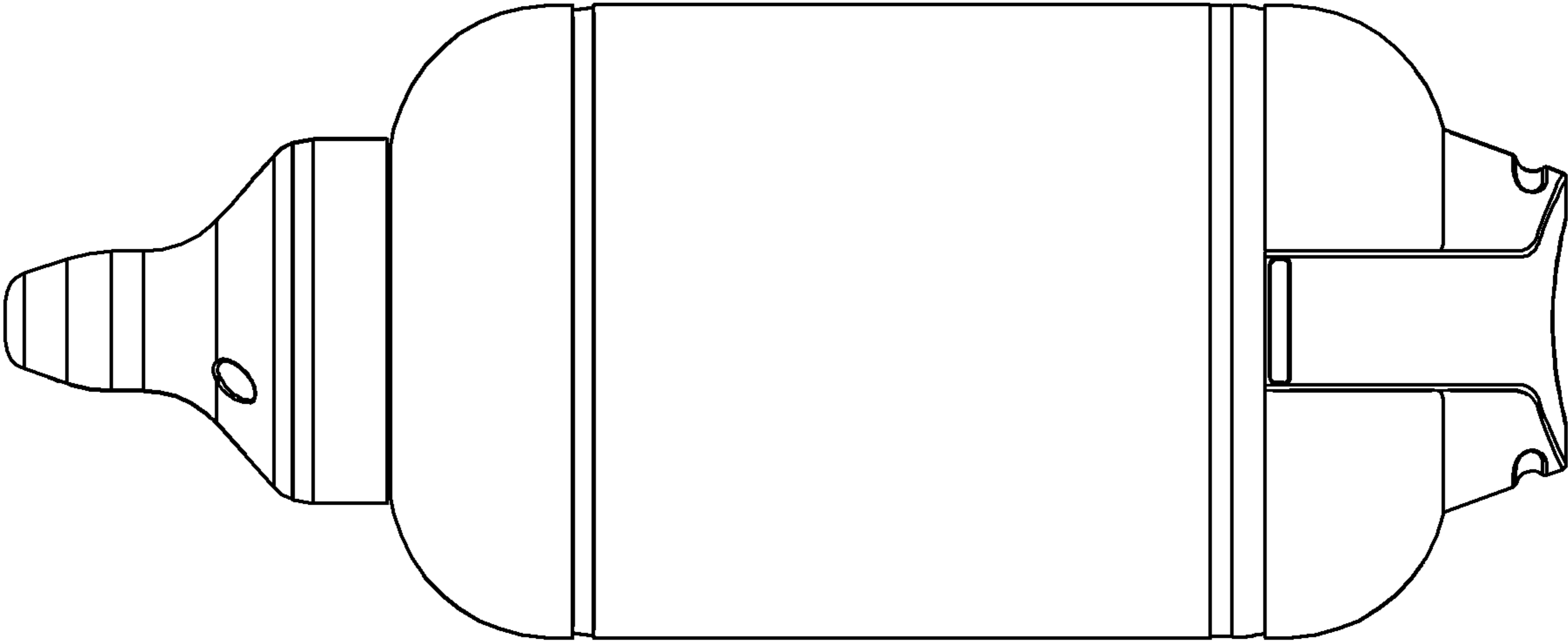


FIG. 5

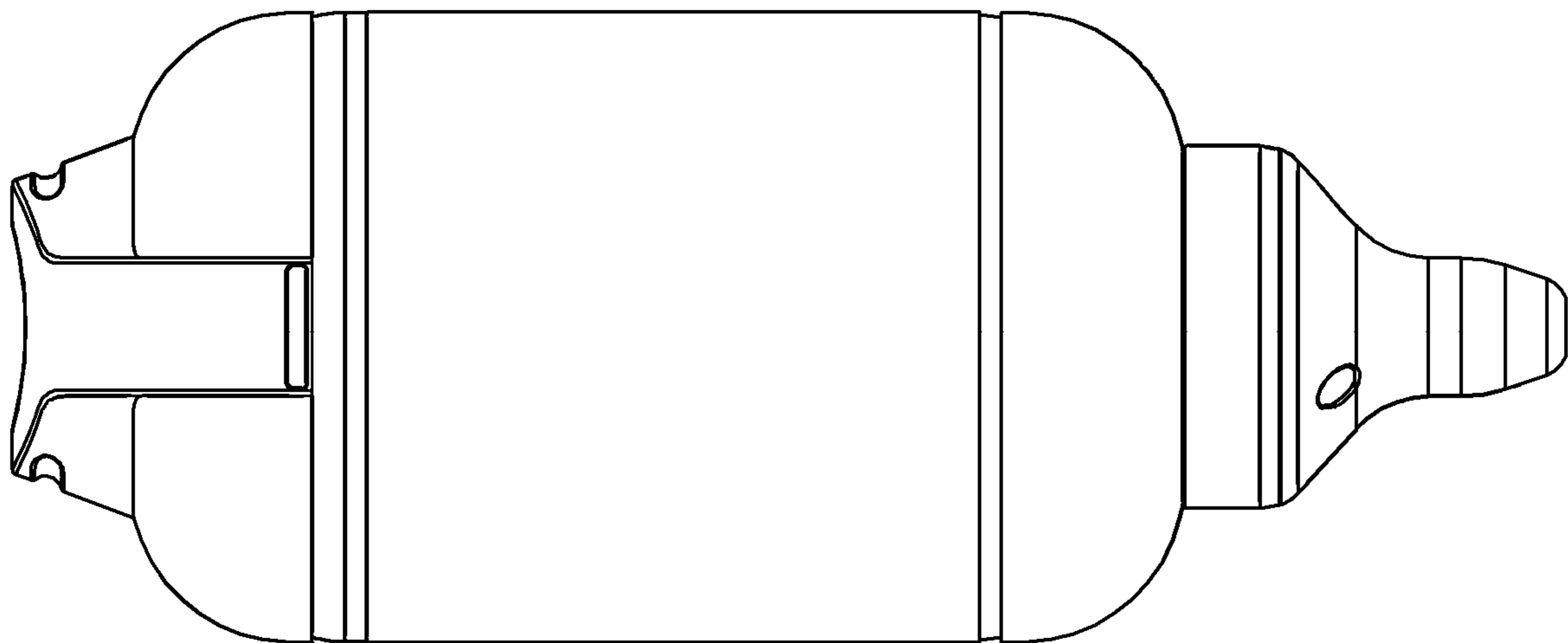


FIG. 6

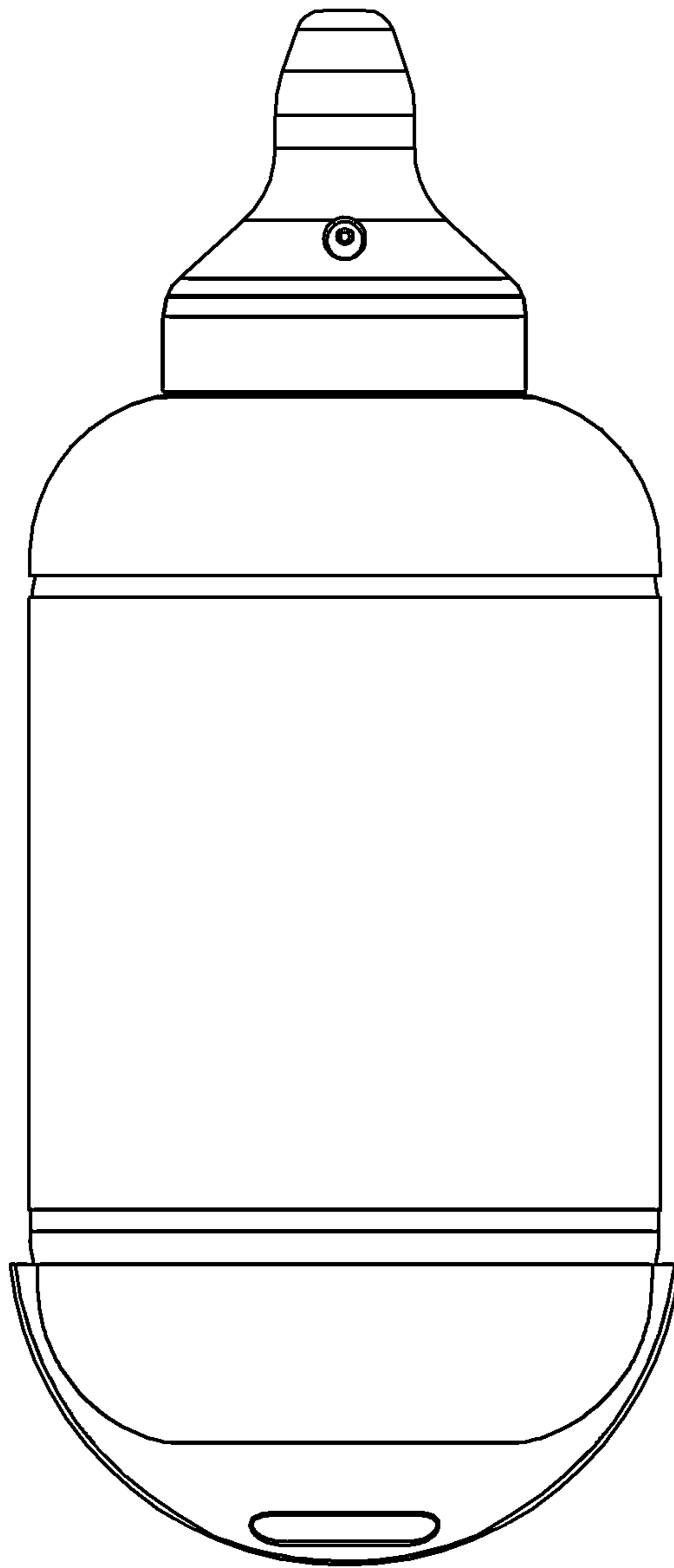


FIG. 7

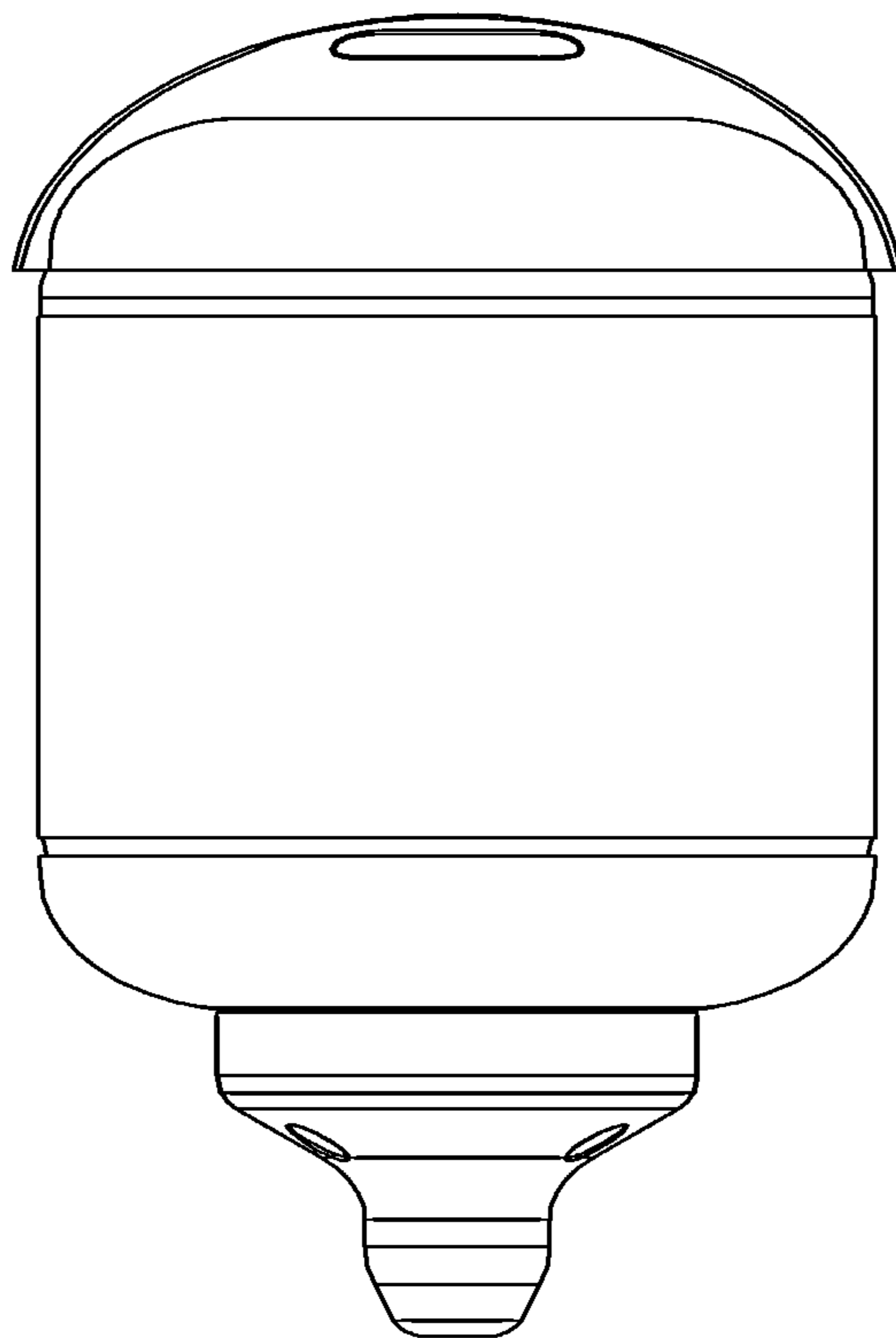


FIG. 8

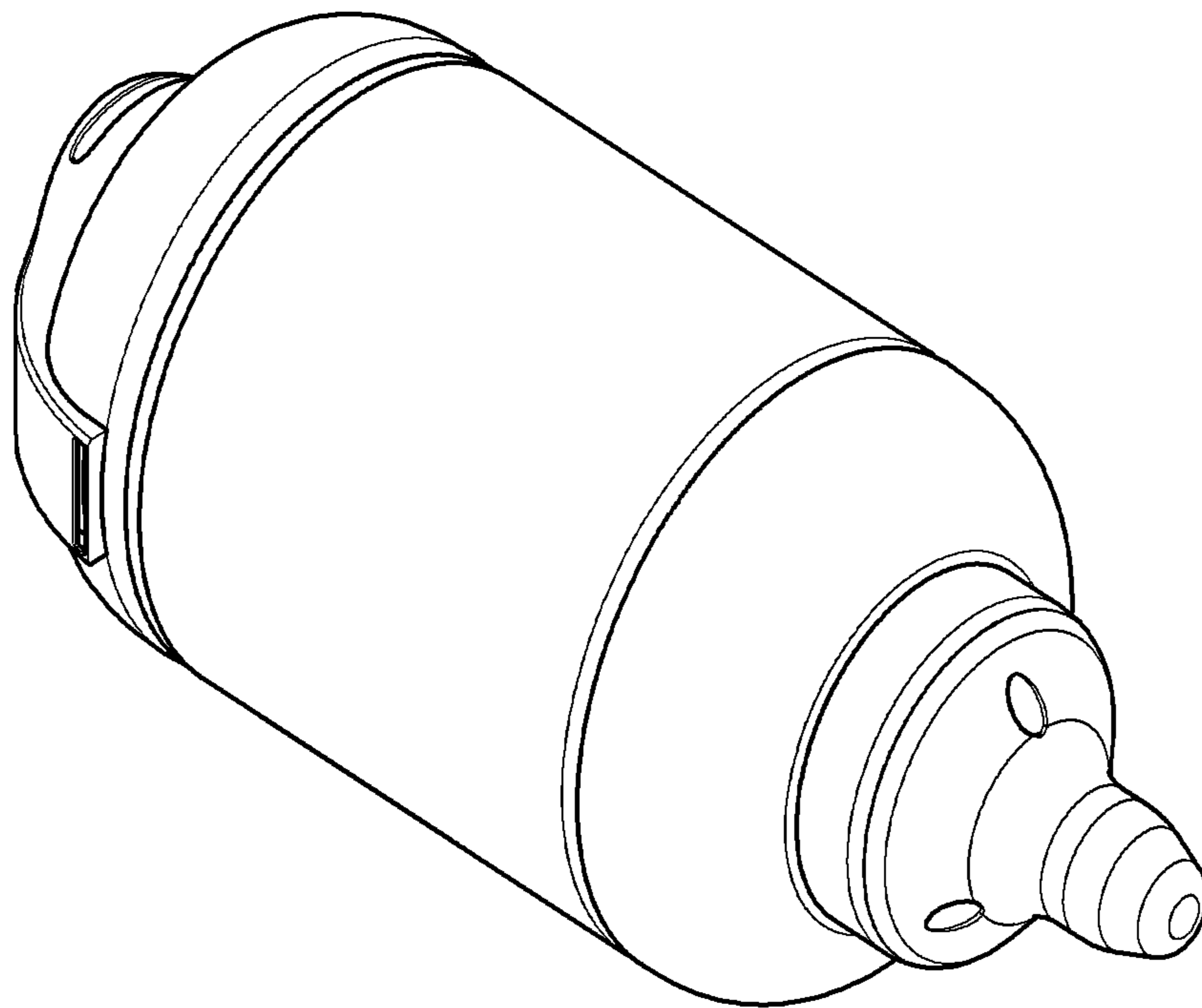


FIG. 9

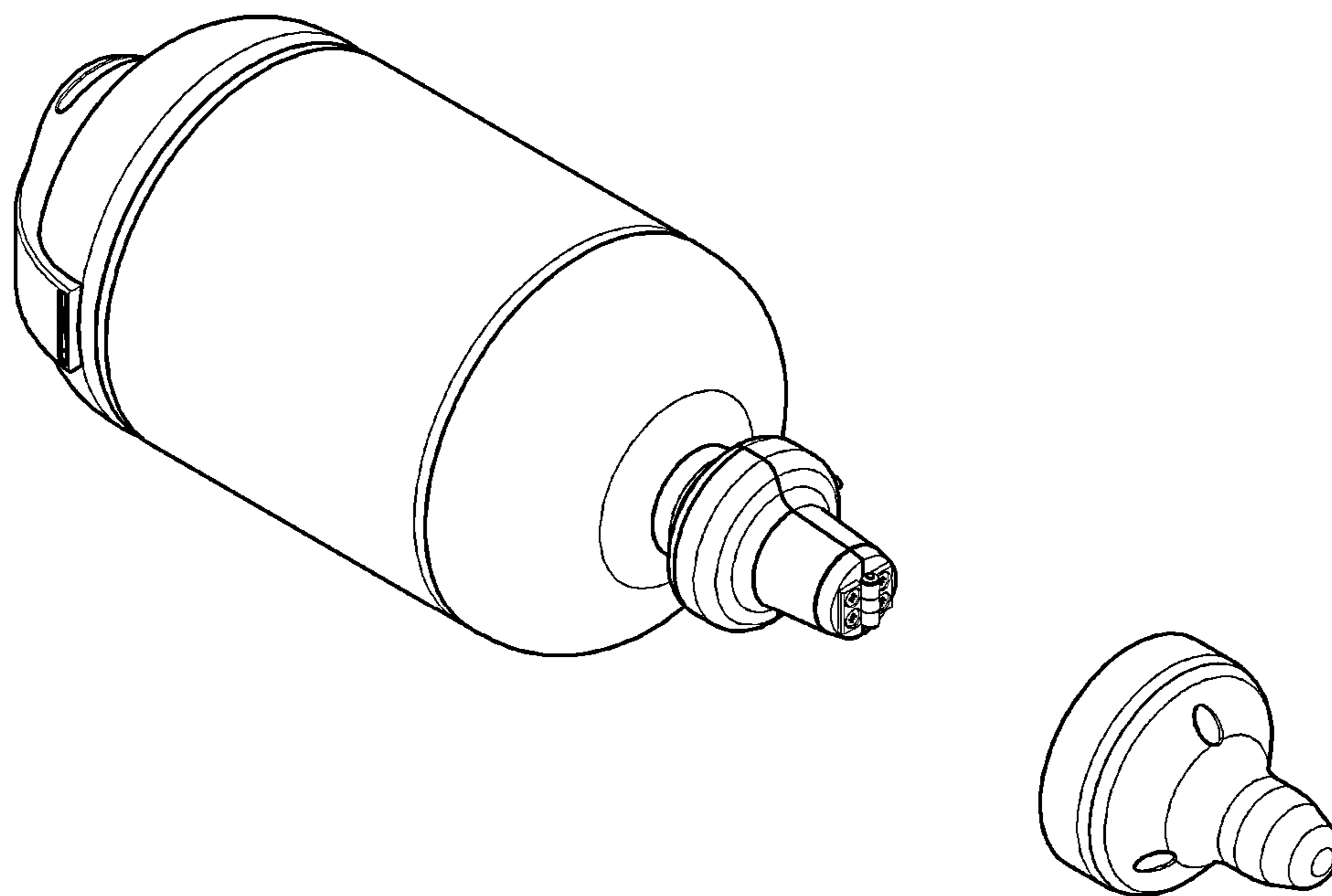


FIG. 10

