



US00D985464S

(12) **United States Design Patent**
Cummings

(10) **Patent No.:** **US D985,464 S**

(45) **Date of Patent:** **** May 9, 2023**

(54) **AIRCRAFT**

(71) Applicant: **Darold B Cummings**, Coeur D'Alene, ID (US)

(72) Inventor: **Darold B Cummings**, Coeur D'Alene, ID (US)

(**) Term: **15 Years**

(21) Appl. No.: **29/779,137**

(22) Filed: **Apr. 16, 2021**

(51) **LOC (14) Cl.** **12-07**

(52) **U.S. Cl.**
USPC **D12/328**; D21/430; D21/436

(58) **Field of Classification Search**
USPC D12/16.1, 319, 320-345; D21/430, 436, D21/441-455
CPC B64C 27/24; B64C 2201/108
See application file for complete search history.

(56) **References Cited**

U.S. PATENT DOCUMENTS

D138,795 S *	9/1944	Stoughton	244/45 R
D211,612 S *	7/1968	De Asis	D12/335
D743,868 S *	11/2015	Cummings	D12/328
D850,357 S *	6/2019	Cummings	D12/326
D864,084 S *	10/2019	Clark	D12/328
D870,639 S *	12/2019	Ivans	D12/328
D875,022 S *	2/2020	Cummings	D12/326
D881,788 S *	4/2020	Tian	D12/326
D903,577 S *	12/2020	Clark	D12/326
D945,946 S *	3/2022	Lee	D12/326
D947,748 S *	4/2022	Levy	D12/326
11,377,201 B1 *	7/2022	Auerbach	B64C 29/0025
2022/0380047 A1 *	12/2022	Tian	B64C 29/0008

OTHER PUBLICATIONS

“Vtol uav fixed wing FDVF15 for Inspection 150 minutes endurance” droneengr.com, post Published: Unavailble. Retrieved Dec. 21, 2022. Available online at URLhttps://www.droneassemble.com/product/vtol-uav-fixed-wing-fdvf15-for-inspection/(Year: 2022).*
“Blue Shark F350 Large Wheelbase Electric VTOL Drone Max 10k Payload UAV Platform” Viewpro.com, post Published: Unavailable. Retrieved Dec. 21, 2022. Available online at URL:https://www.viewprouav.com/product/blue-shark-f350-large-wheelbase-electric-vtol-drone-max-10kg-payload-uav-platform.htm (Year: 2022).*

* cited by examiner

Primary Examiner — Christian P. McLean
Assistant Examiner — Jessica Lynn Devilbiss
(74) *Attorney, Agent, or Firm* — Morland C. Fischer

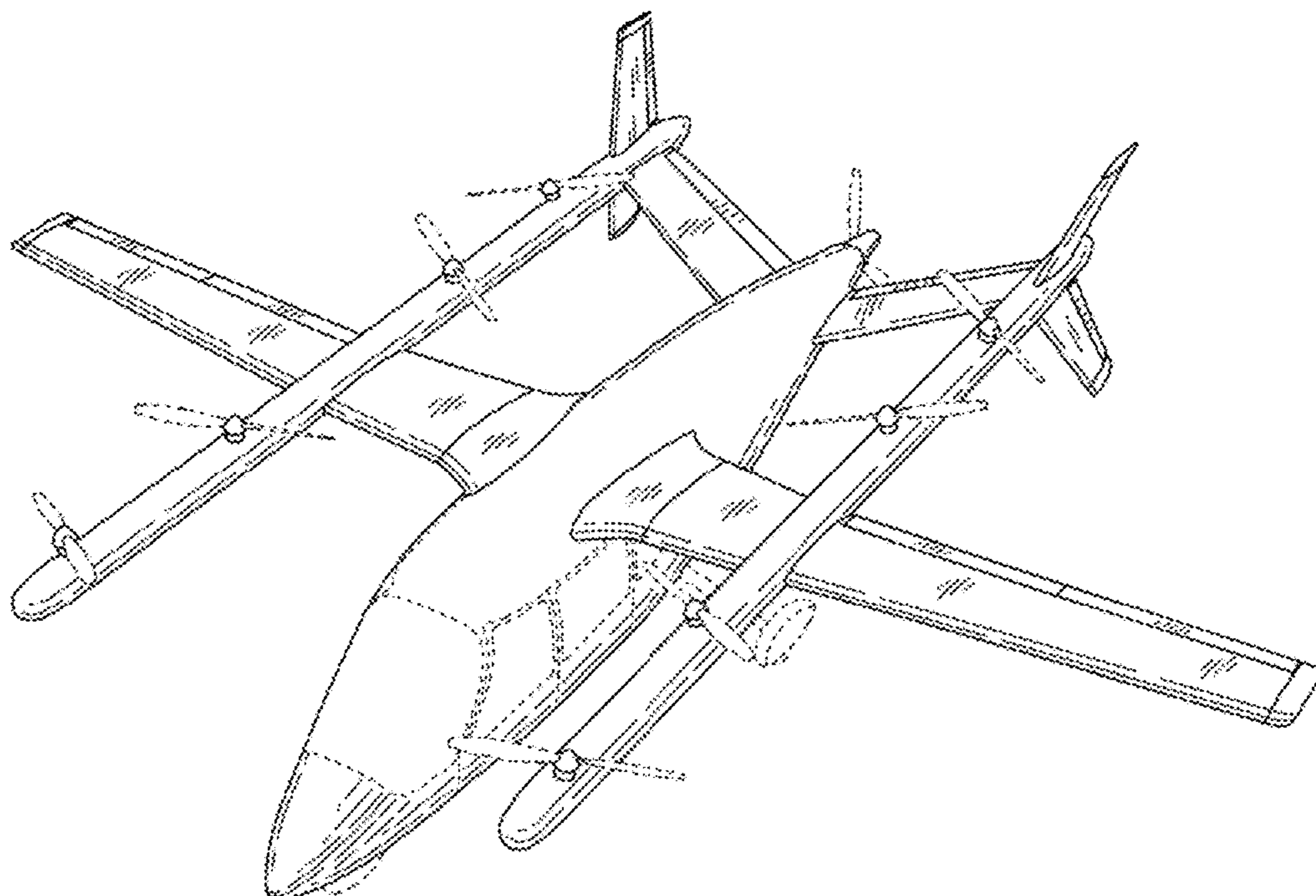
(57) **CLAIM**

The ornamental design for an aircraft, as shown and described.

DESCRIPTION

FIG. 1 is a perspective view showing the front, top and left side of an aircraft which forms my new design;
FIG. 2 is a top plan view thereof;
FIG. 3 is a left side elevational view thereof;
FIG. 4 is a right side elevational view thereof;
FIG. 5 is a bottom plan view thereof;
FIG. 6 is a front elevational view thereof; and,
FIG. 7 is a rear elevational view thereof.
The broken lines in the drawings depict portions of the aircraft that form no part of the claimed design.

1 Claim, 4 Drawing Sheets



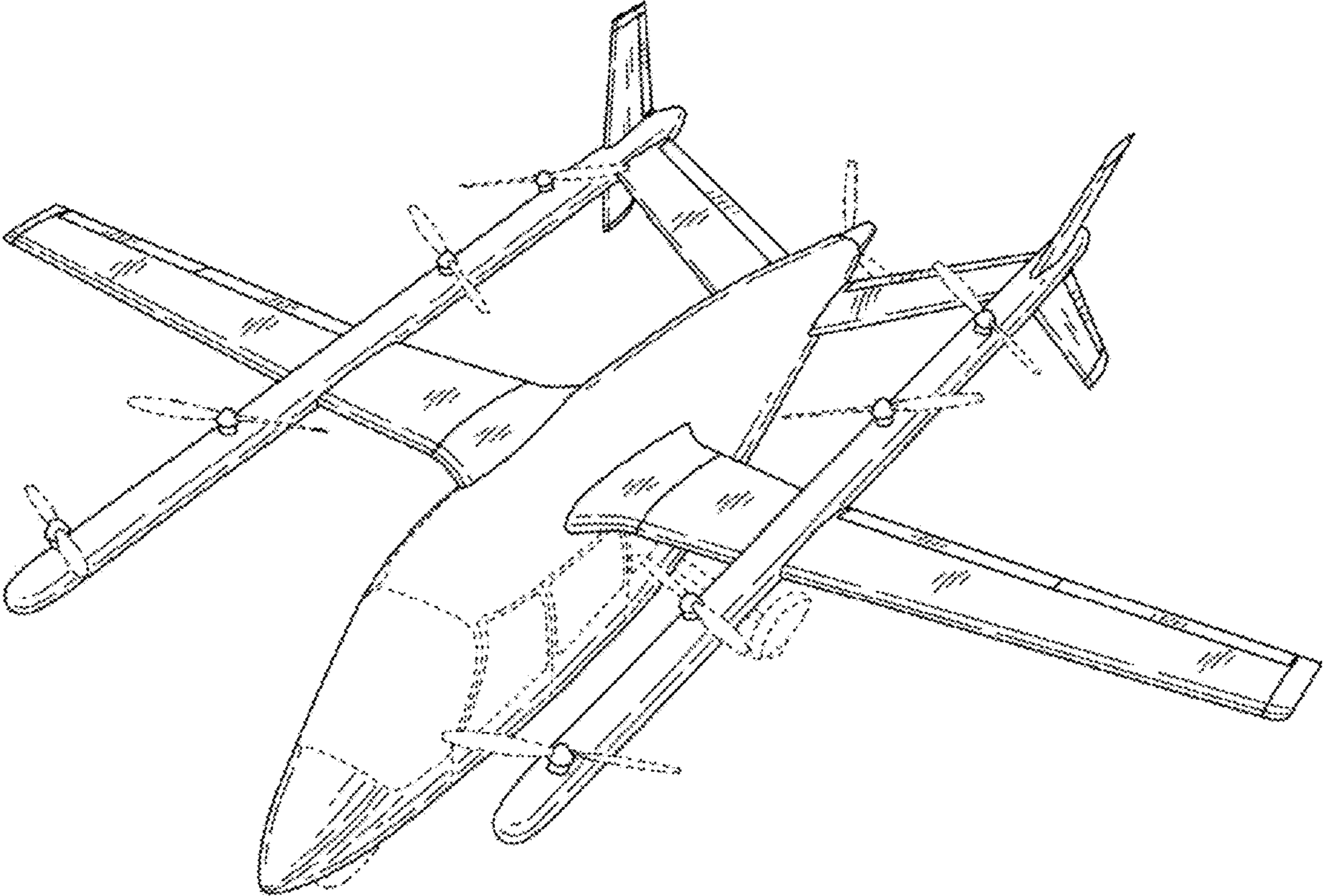


FIG. 1

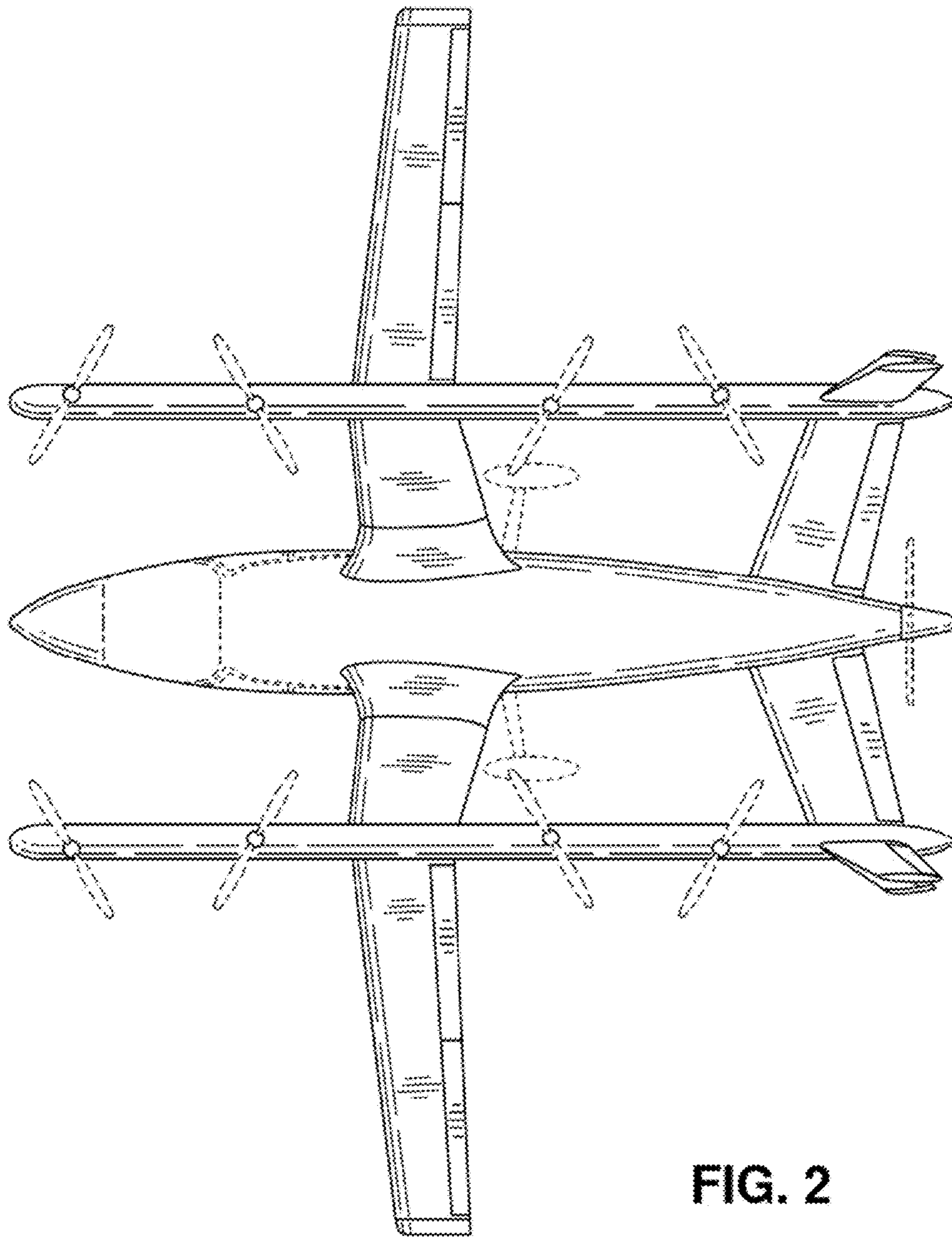


FIG. 2

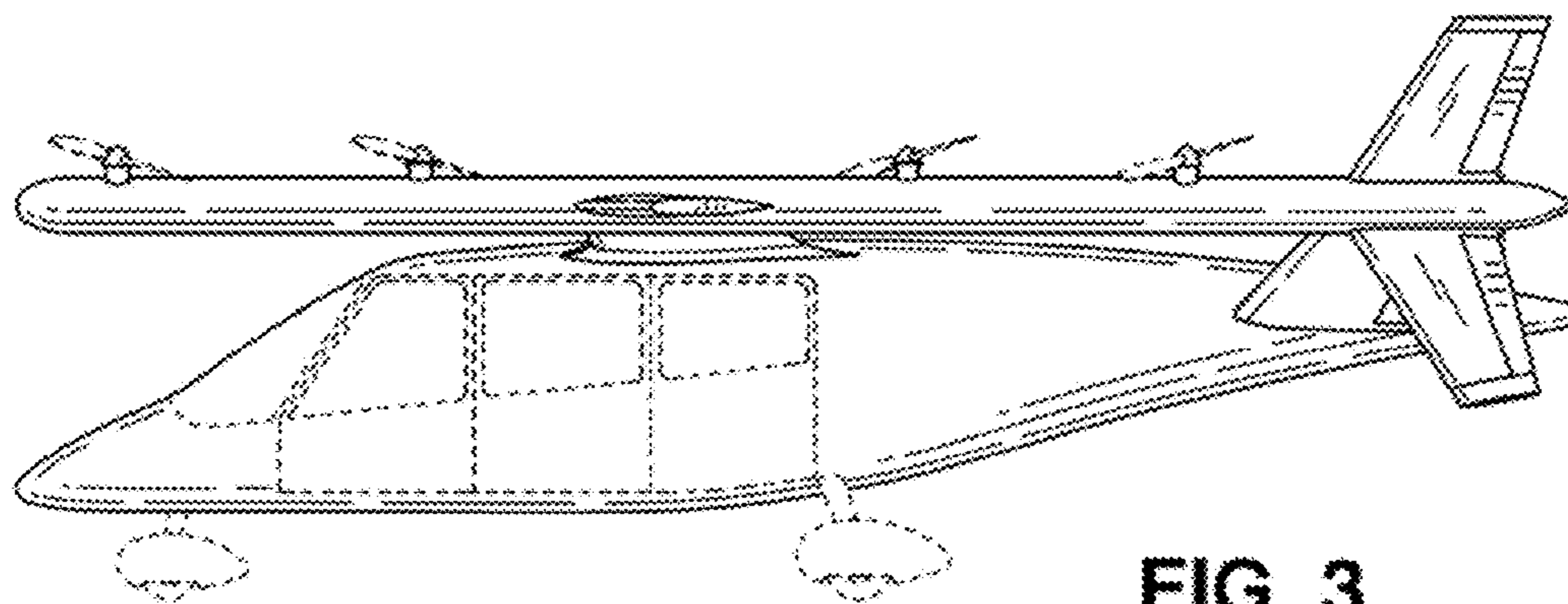


FIG. 3

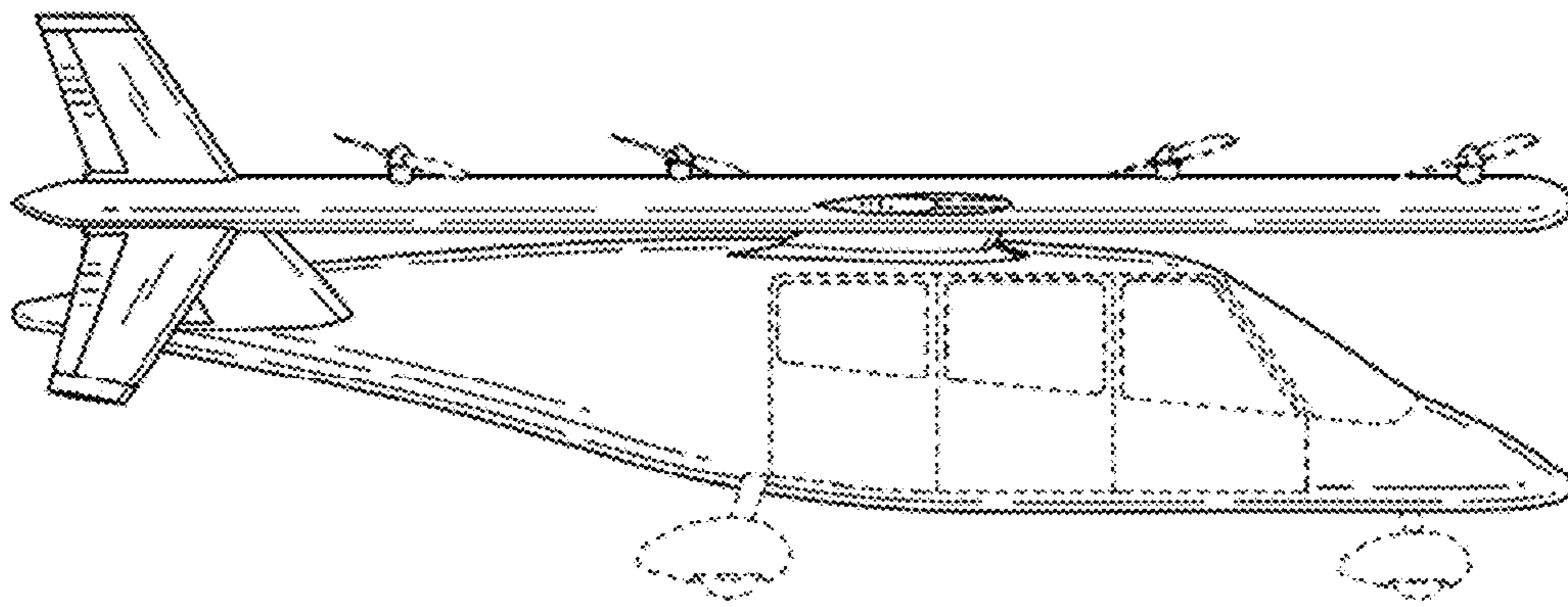


FIG. 4

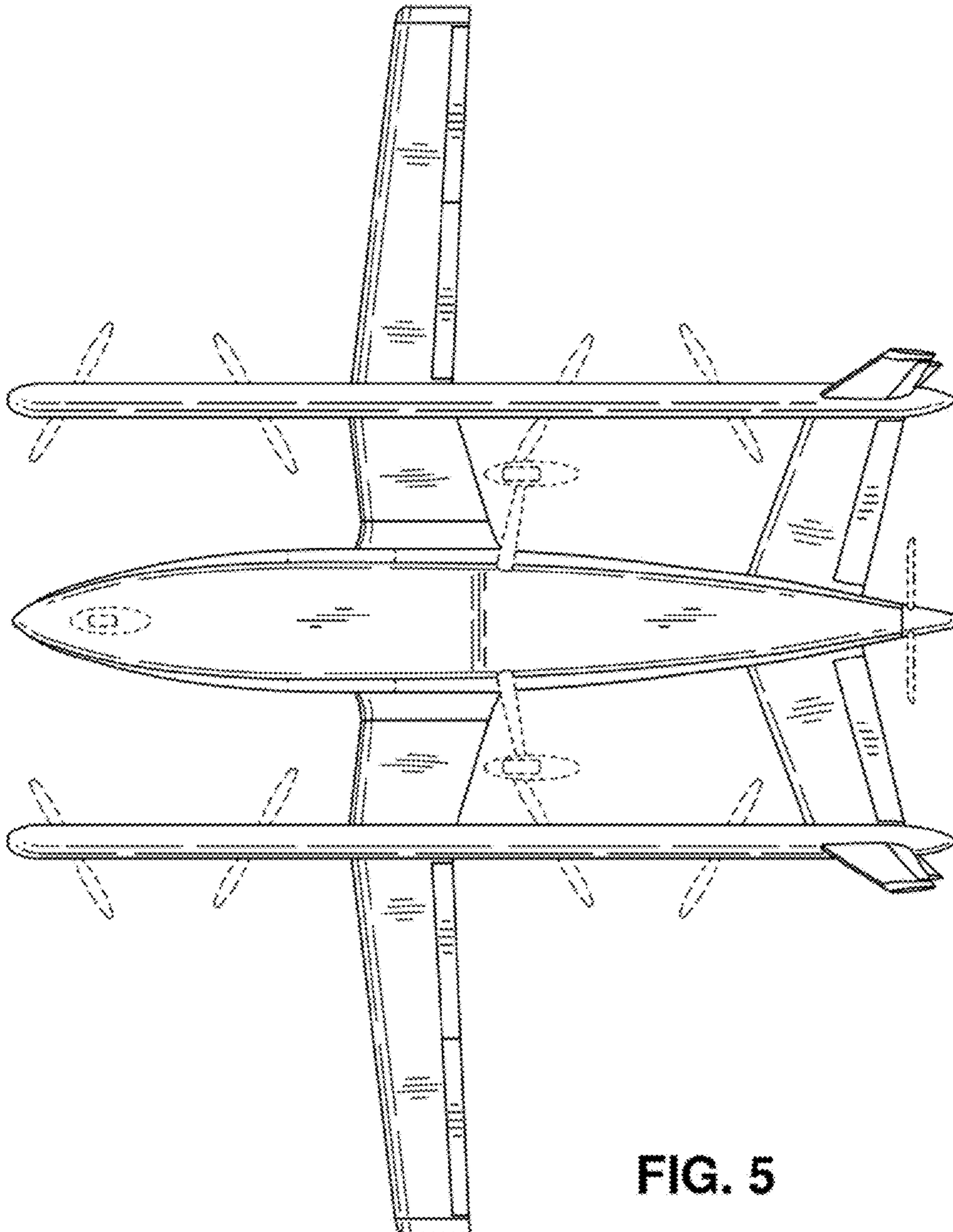


FIG. 5

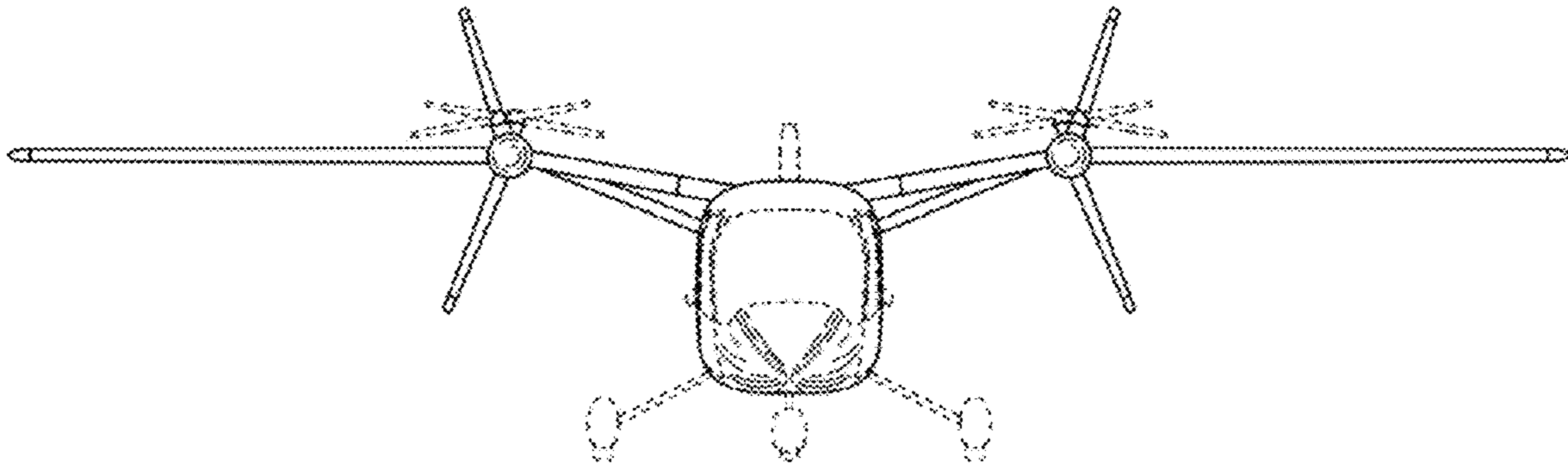


FIG. 6

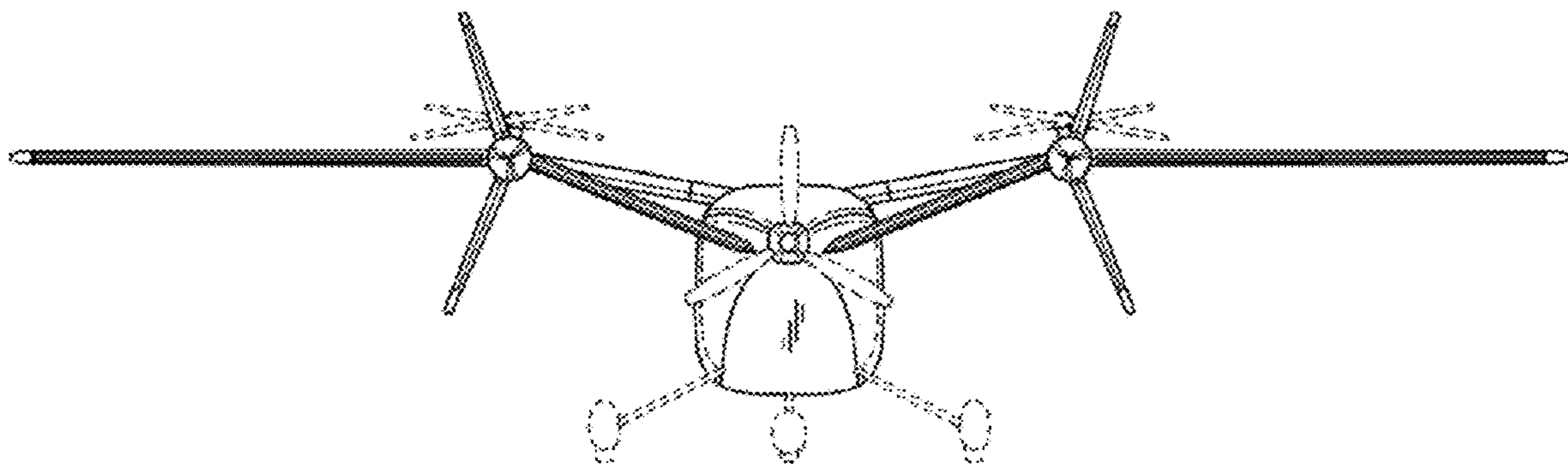


FIG. 7