



US00D985462S

(12) **United States Design Patent**
Tung

(10) **Patent No.:** **US D985,462 S**

(45) **Date of Patent:** **** May 9, 2023**

(54) **SCUPPER COVER**

(71) Applicant: **Marine Town Inc.**, New Taipei (TW)

(72) Inventor: **Chin-Chung Tung**, New Taipei (TW)

(73) Assignee: **MARINE TOWN INC.**, New Taipei (TW)

(**) Term: **15 Years**

(21) Appl. No.: **29/745,128**

(22) Filed: **Aug. 4, 2020**

(51) **LOC (14) Cl.** **12-06**

(52) **U.S. Cl.**
USPC **D12/317; D23/267**

(58) **Field of Classification Search**
USPC **D12/317; D23/267**
CPC **B63B 13/00; B63B 13/02; B63B 19/08;**
B63B 19/26; B63B 17/00; F16K 1/2064
See application file for complete search history.

(56) **References Cited**

U.S. PATENT DOCUMENTS

D320,644 S * 10/1991 Scaramucci D23/237
6,164,231 A * 12/2000 Shimmell B63B 13/02
114/182

D630,299 S * 1/2011 Boysel D23/267
8,146,951 B2 * 4/2012 Tung B63B 19/26
114/182
9,919,766 B2 * 3/2018 Daley B63B 13/00
10,625,823 B2 * 4/2020 Daley B63B 59/04
10,780,951 B2 * 9/2020 Daley B63B 13/00
11,208,182 B2 * 12/2021 Daley B63B 59/04
D941,443 S * 1/2022 Brown D23/267
11,225,303 B2 * 1/2022 Daley B63B 13/02
2022/0316600 A1 * 10/2022 Brown F16K 1/2064

* cited by examiner

Primary Examiner — Cynthia M. Chin
(74) *Attorney, Agent, or Firm* — WPAT, P.C.

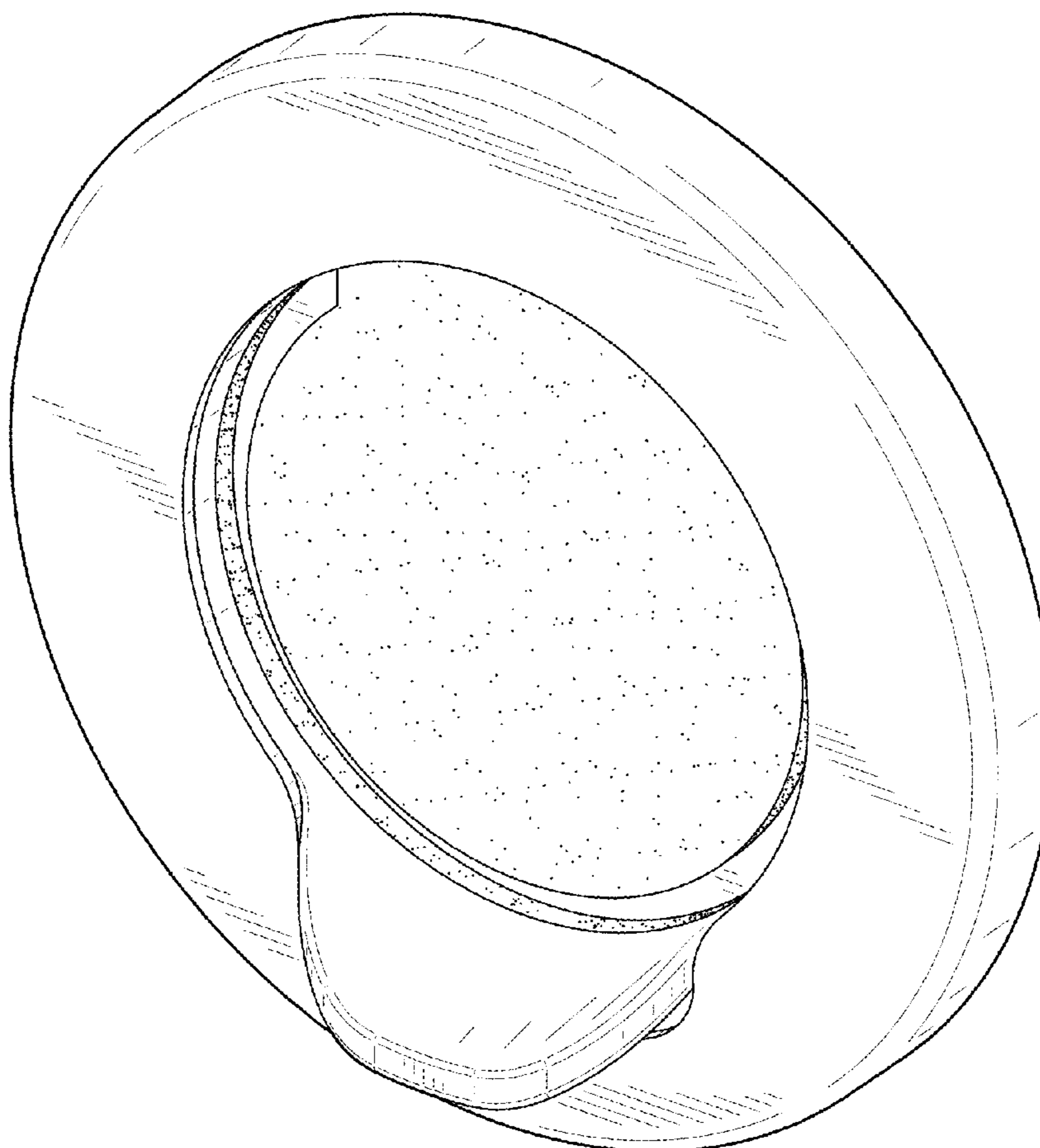
(57) **CLAIM**

The ornamental design for a scupper cover, as shown and described.

DESCRIPTION

FIG. 1 is a perspective view of a scupper cover showing my new design;
FIG. 2 is a front elevational view thereof;
FIG. 3 is a rear elevational view thereof;
FIG. 4 is a left side elevational view thereof;
FIG. 5 is a right side elevational view thereof;
FIG. 6 is a top plan view thereof;
FIG. 7 is a bottom plan view thereof; and,
FIG. 8 is another perspective view thereof.

1 Claim, 8 Drawing Sheets



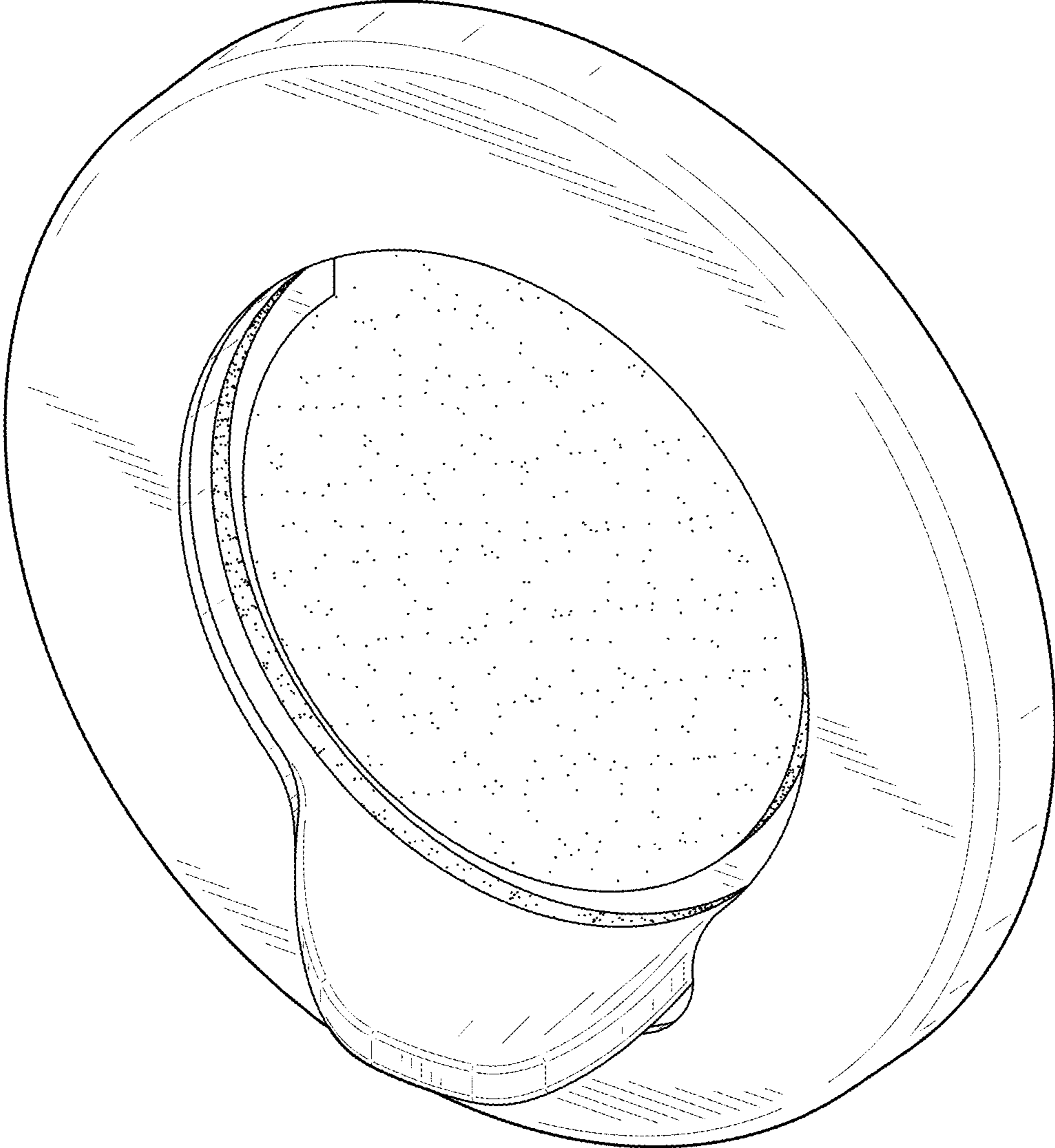


FIG. 1

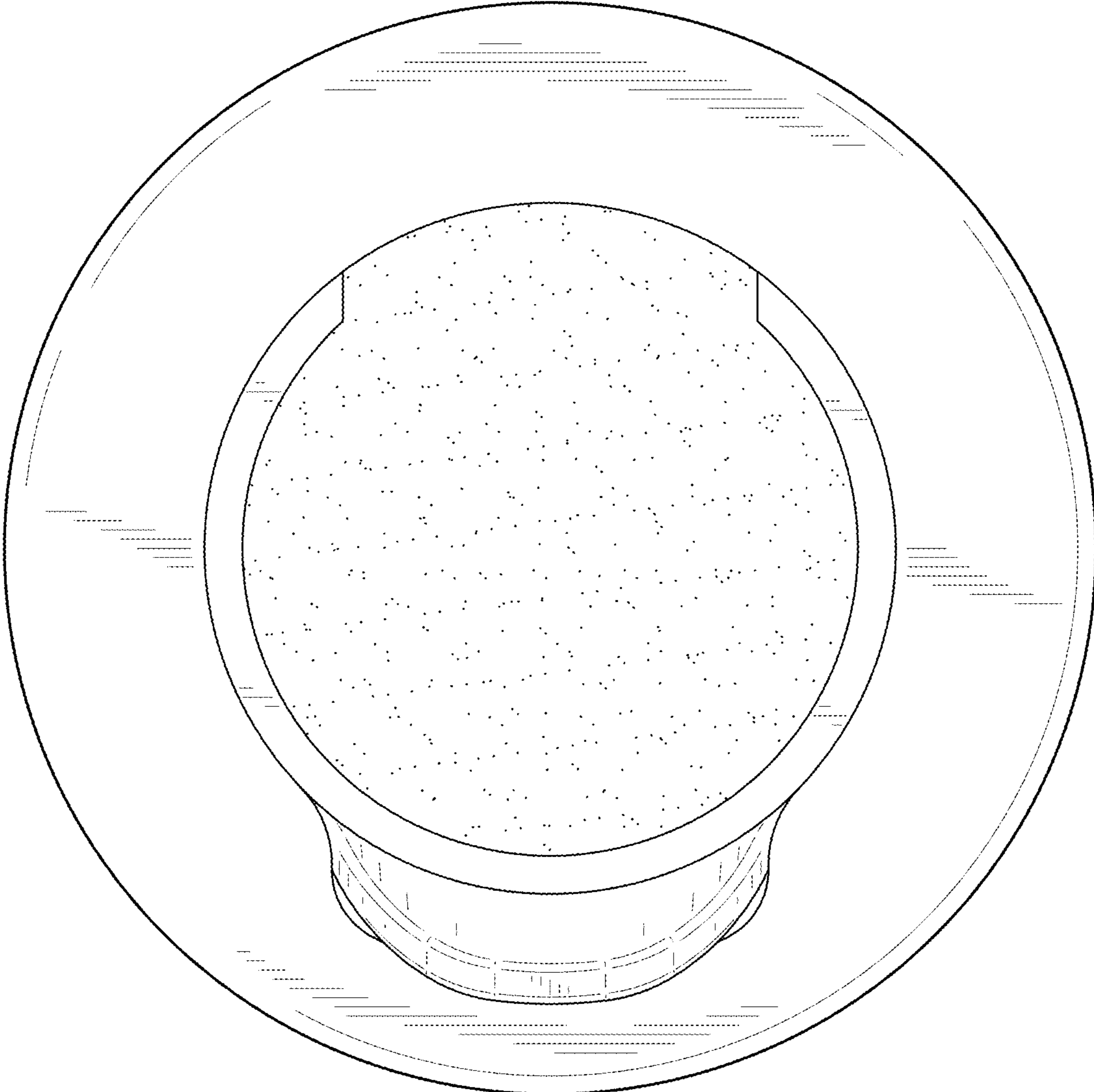


FIG. 2

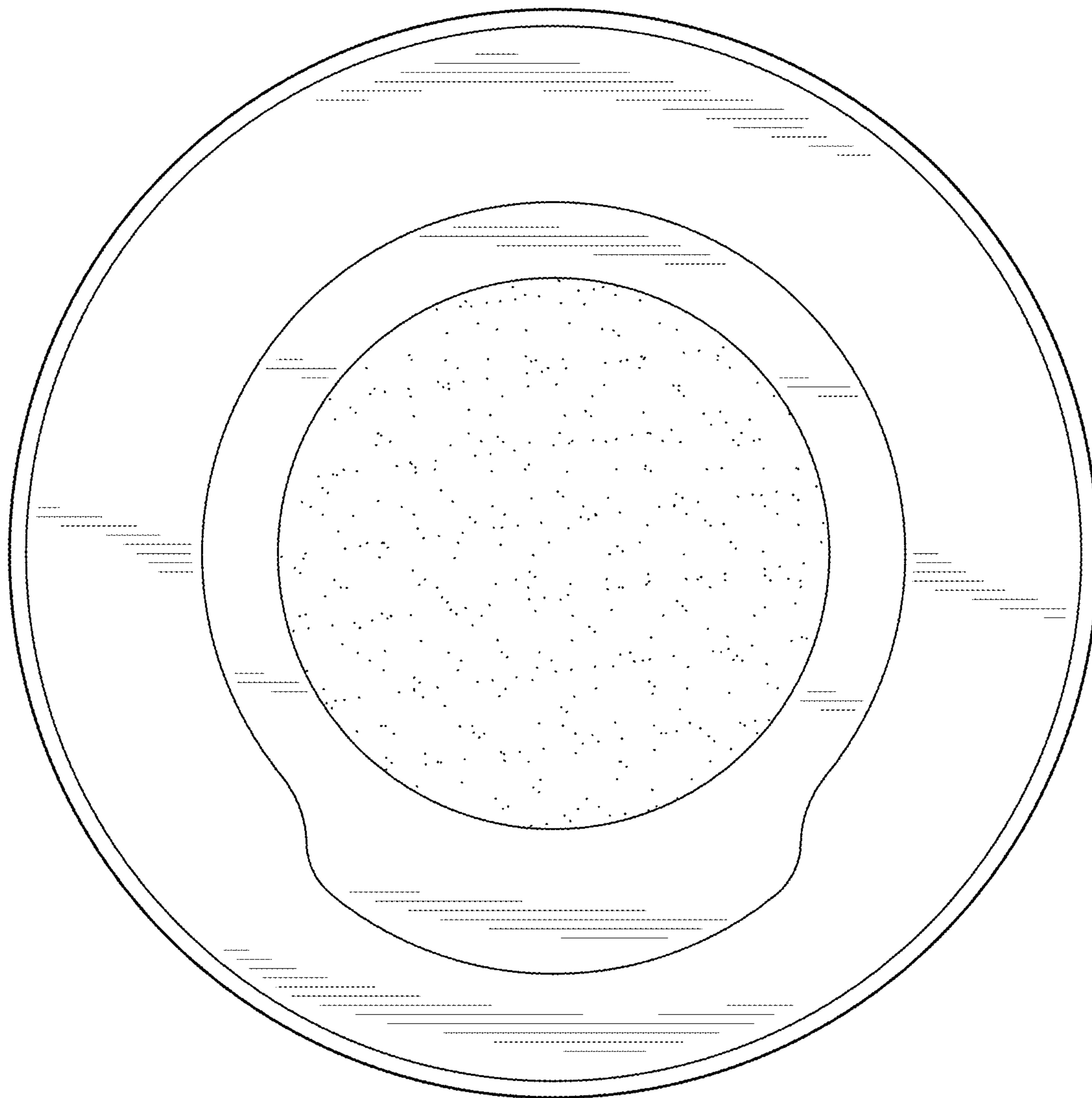


FIG. 3

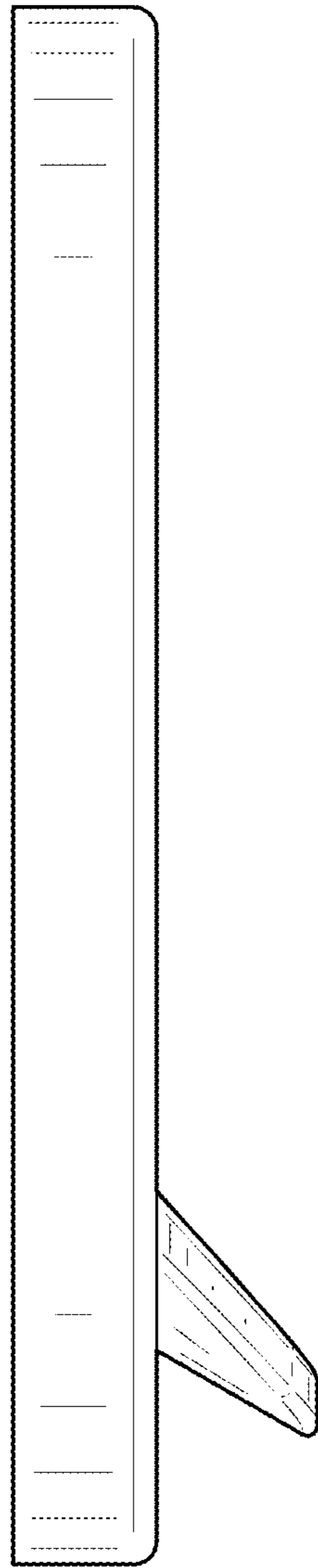


FIG. 4

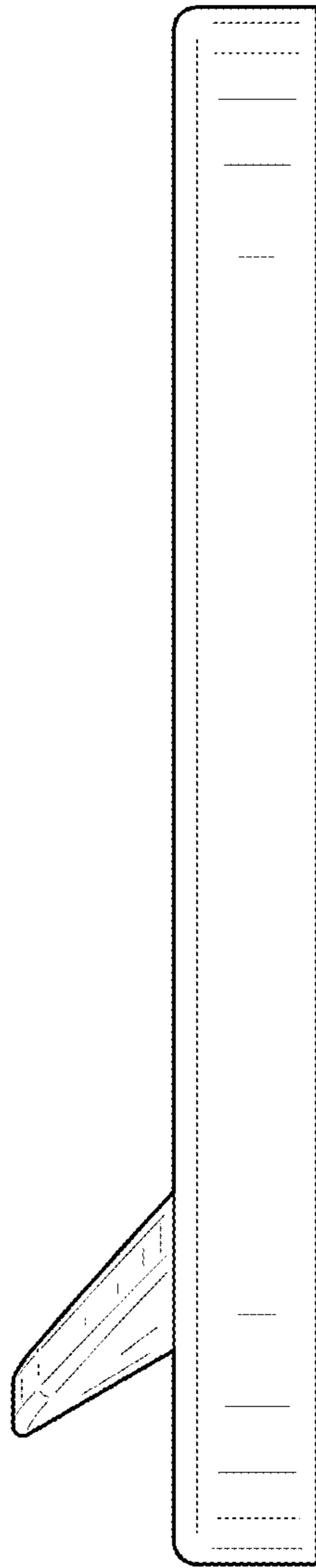


FIG. 5

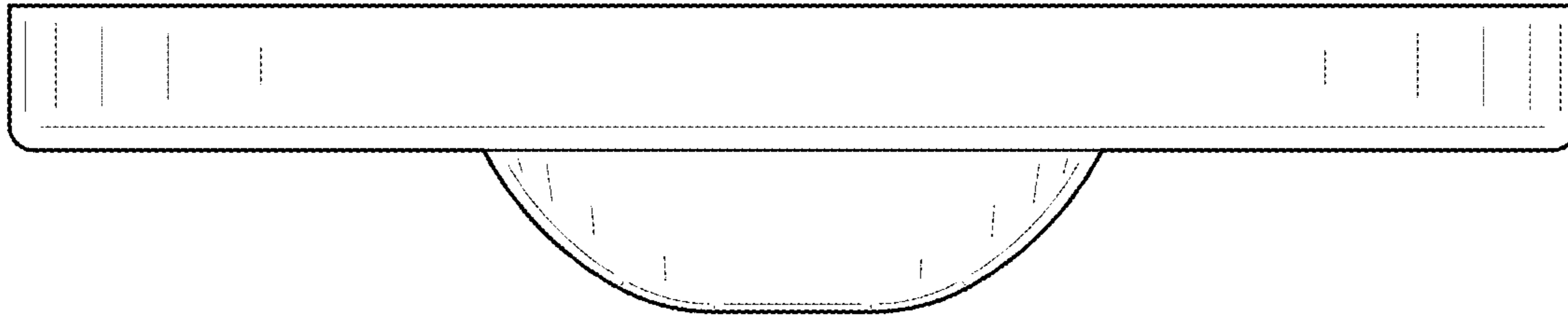


FIG. 6

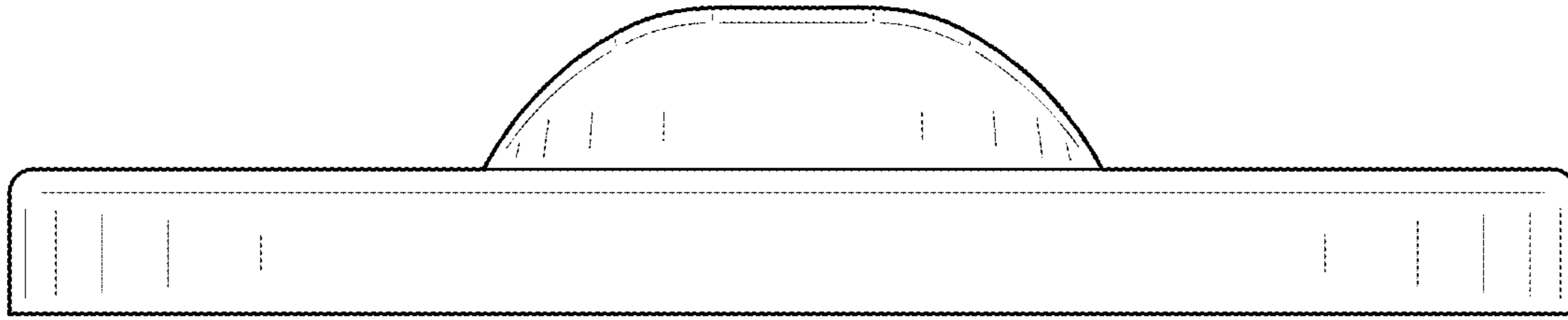


FIG. 7

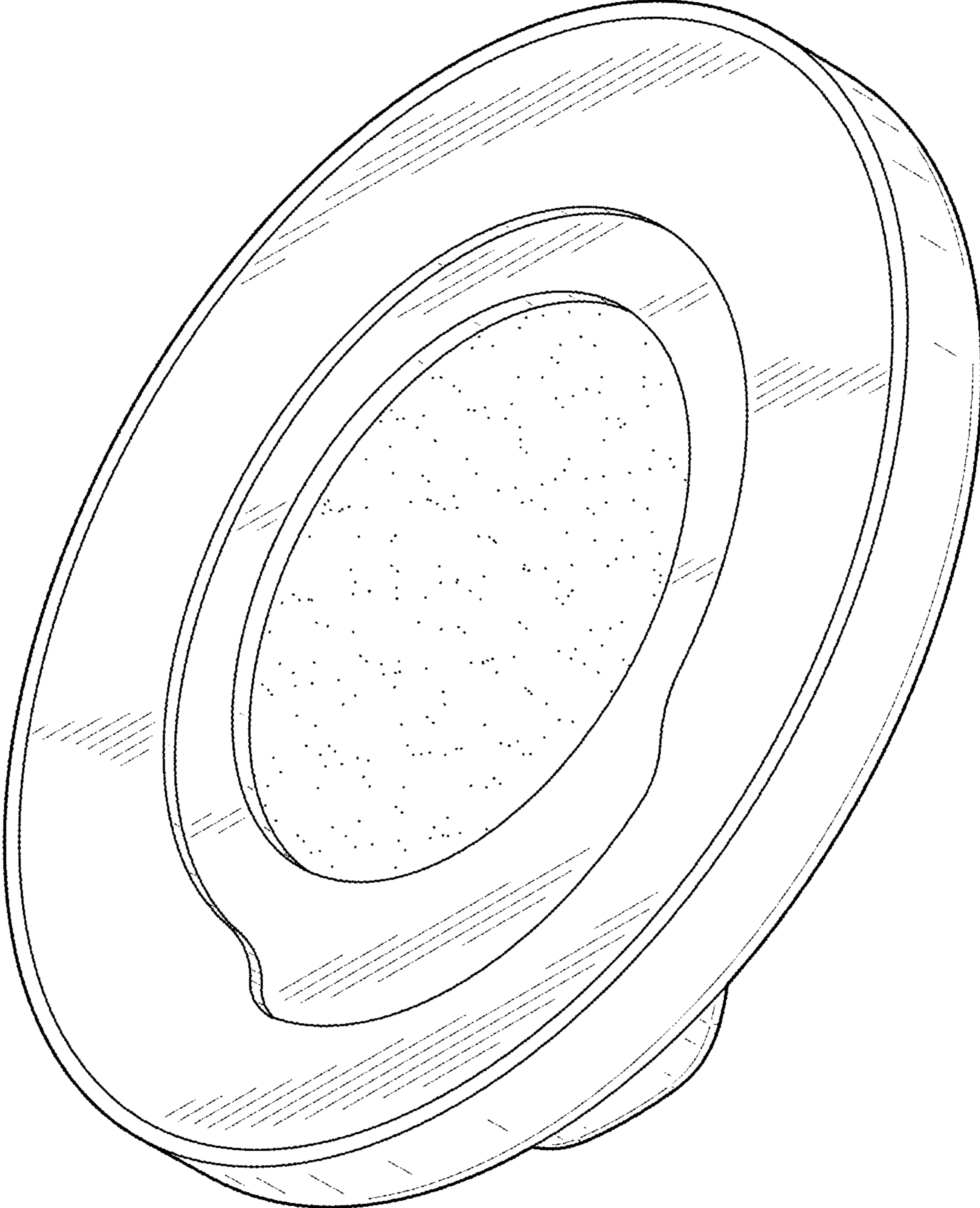


FIG. 8