



US00D985459S

(12) **United States Design Patent** (10) **Patent No.:** **US D985,459 S**
Shim (45) **Date of Patent:** **** May 9, 2023**

- (54) **FUEL TANK FOR DRONE**
- (71) Applicant: **DOOSAN MOBILITY INNOVATION INC.**, Yongin-si (KR)
- (72) Inventor: **Gyu Jung Shim**, Anyang-si (KR)
- (**) Term: **15 Years**
- (21) Appl. No.: **29/761,068**
- (22) Filed: **Dec. 7, 2020**

Related U.S. Application Data

- (62) Division of application No. 35/507,964, filed on Feb. 27, 2019 (U.S. filing date under 35 U.S.C. 384), and having an international filing date of Feb. 27, 2019, now Pat. No. Des. 934,957.

Foreign Application Priority Data

- (30)
 - Aug. 31, 2018 (KR) 30-2018-0040720
 - Aug. 31, 2018 (KR) 30-2018-0040721
 - Aug. 31, 2018 (KR) 30-2018-0040725
 - Aug. 31, 2018 (KR) 30-2018-0040726
 - Aug. 31, 2018 (KR) 30-2018-0040727
 - Sep. 4, 2018 (KR) 30-2018-0041212
- (51) **LOC (14) Cl.** **12-06**
- (52) **U.S. Cl.**
USPC **D12/218**
- (58) **Field of Classification Search**
USPC D12/110, 197, 218, 223; D9/435-454;
D15/1, 3, 5, 17, 28; D23/205, 211.2;
D27/141-160
CPC B60K 15/03; B60K 15/07; B62J 35/00;
B62K 11/00; B62K 11/04
See application file for complete search history.

(56) **References Cited**

U.S. PATENT DOCUMENTS

D213,235 S *	1/1969	Jacoby	D10/106.1
4,928,859 A *	5/1990	Krahn	F16L 37/0841
			285/317
D386,463 S *	11/1997	Garrard	D12/218
D530,854 S *	10/2006	Xu	D27/148
D532,359 S *	11/2006	Simpson	D12/218
D537,977 S *	3/2007	Chen	D23/205
D555,067 S *	11/2007	Kruger	D12/218
D563,229 S *	3/2008	Dowel	D9/534
7,490,864 B2 *	2/2009	Cheng	F16L 37/0847
			285/317
D623,575 S *	9/2010	Allmon	D12/218
9,423,077 B2 *	8/2016	Adelman	F17C 13/084
D788,013 S *	5/2017	Cover	D12/218
D788,014 S *	5/2017	Cover	D12/218
D934,957 S *	11/2021	Shim	D21/441

(Continued)

Primary Examiner — Darlington Ly

(74) Attorney, Agent, or Firm — Harvest IP Law LLP

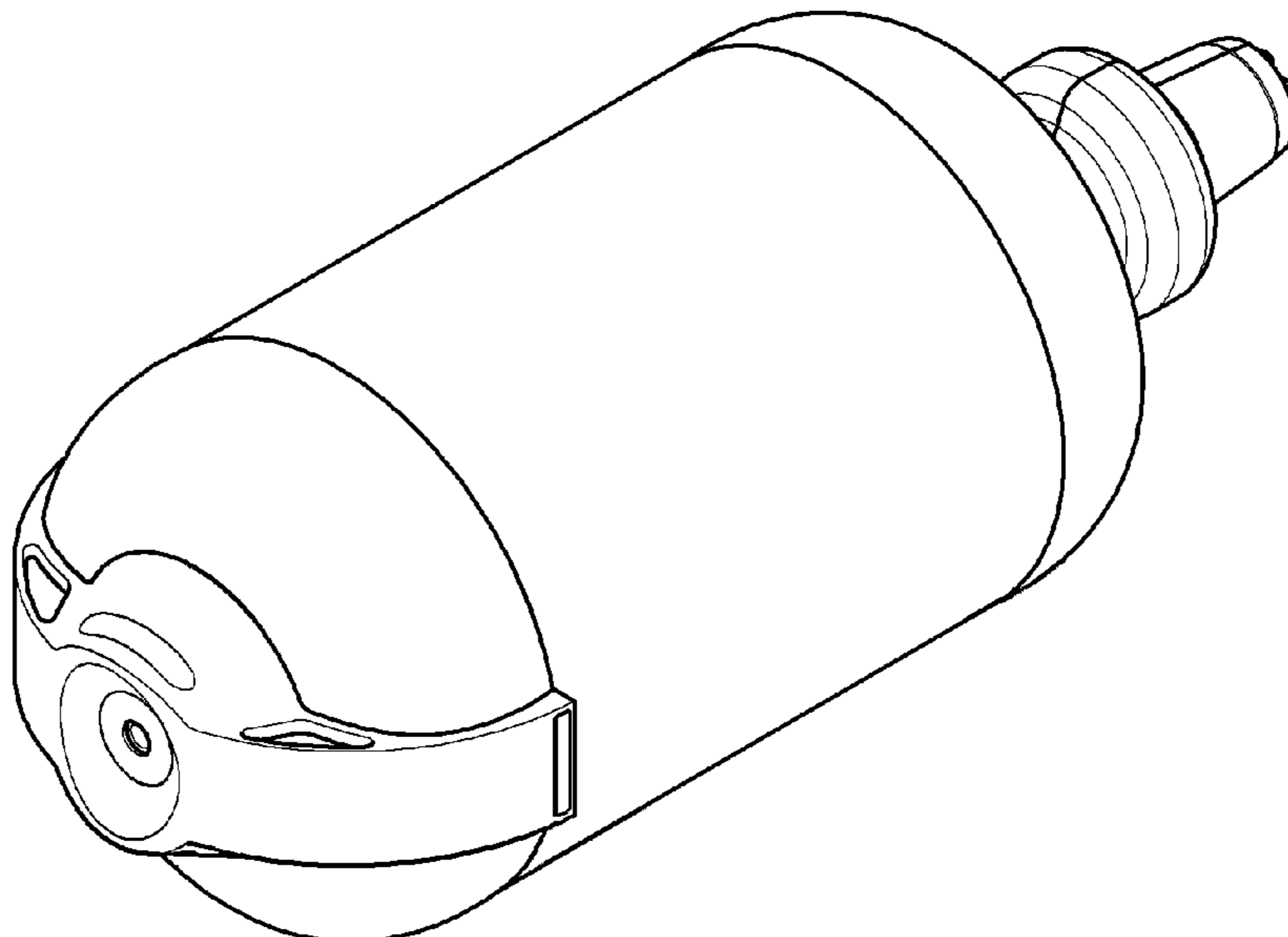
(57) **CLAIM**

The ornamental design for a fuel tank for drone, as shown and described.

DESCRIPTION

FIG. 1 is a perspective view of fuel tank for drone, showing my new design;
 FIG. 2 is a front view of the fuel tank for drone of FIG. 1;
 FIG. 3 is a rear view of the fuel tank for drone of FIG. 1;
 FIG. 4 is a left view of the fuel tank of drone of FIG. 1;
 FIG. 5 is a right view of the fuel tank of drone of FIG. 1;
 FIG. 6 is top view of the fuel tank of drone of FIG. 1;
 FIG. 7 is a bottom view of the fuel tank of drone of FIG. 1;
 FIG. 8 is a perspective view of the fuel tank of drone of FIG. 1; and,
 FIG. 9 is a reference view of the fuel tank for drone of FIG. 1, which merely shows the state in the use of the claimed designs and forms no part of the claimed designs.

1 Claim, 9 Drawing Sheets



(56)

References Cited

U.S. PATENT DOCUMENTS

D965,496 S * 10/2022 Proctor D12/218
2004/0084485 A1* 5/2004 Carlton B67D 7/005
222/527
2021/0249670 A1* 8/2021 Shim H01M 8/04201
2021/0323668 A1* 10/2021 Seung B64C 25/32

* cited by examiner

FIG. 1

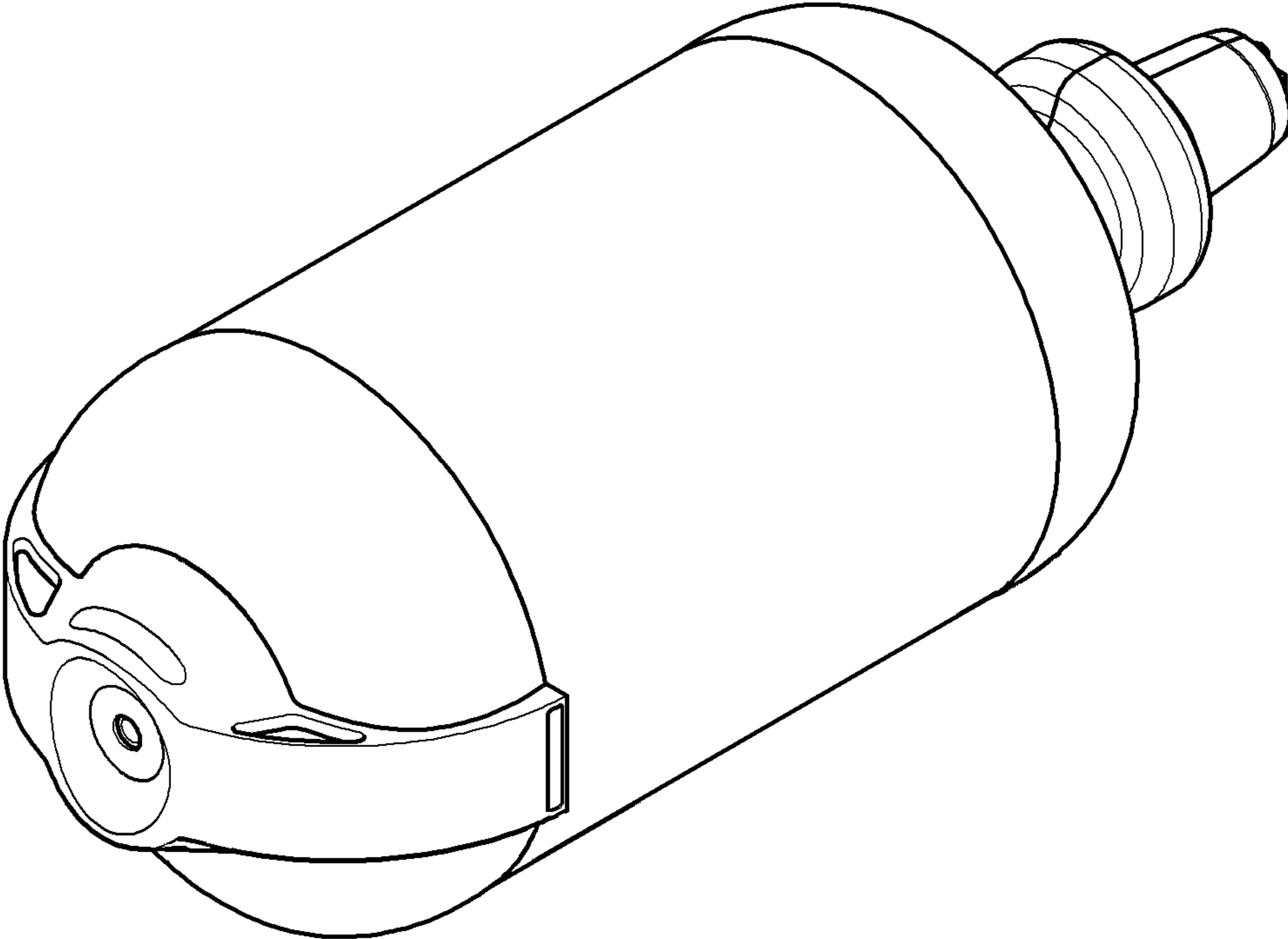


FIG. 2

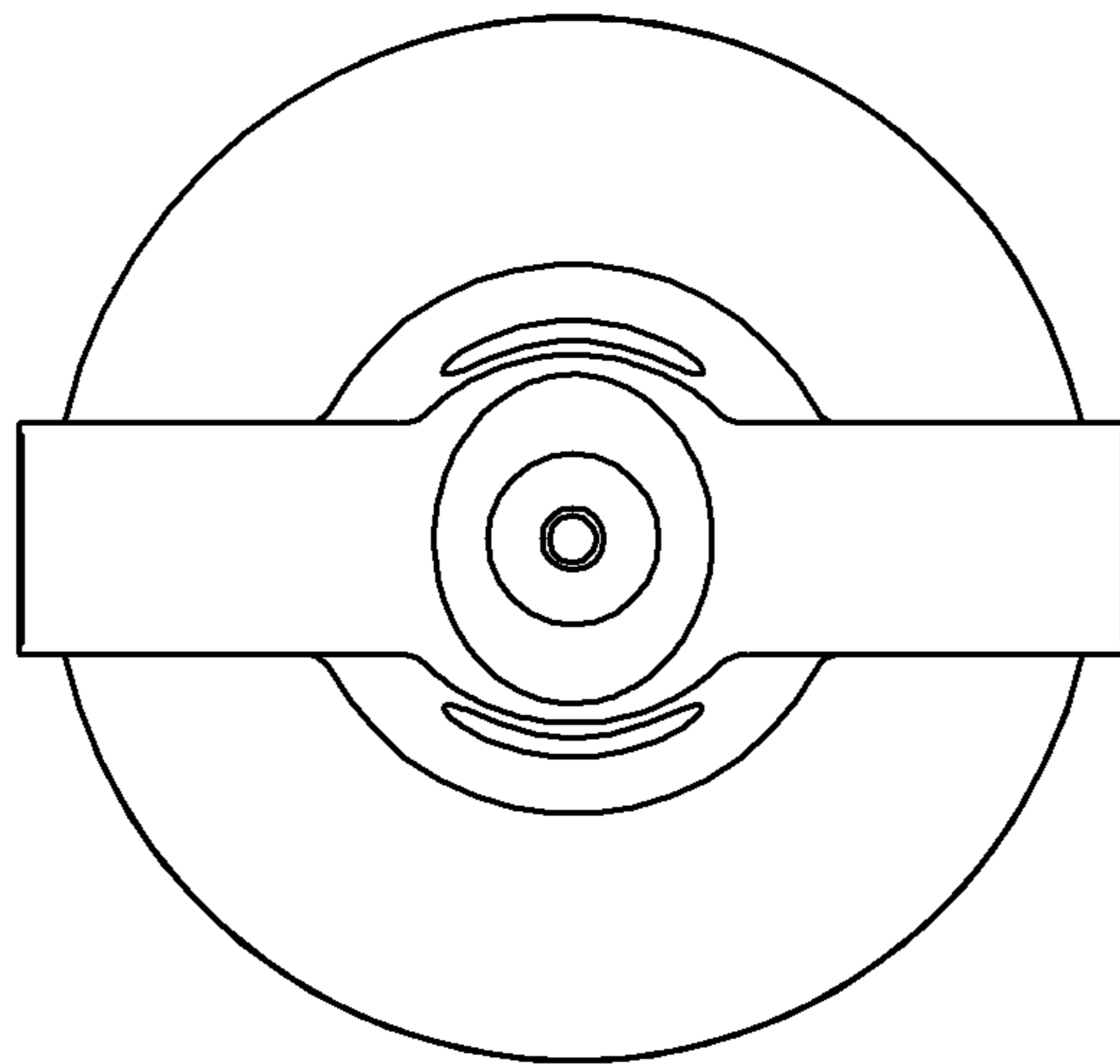


FIG. 3

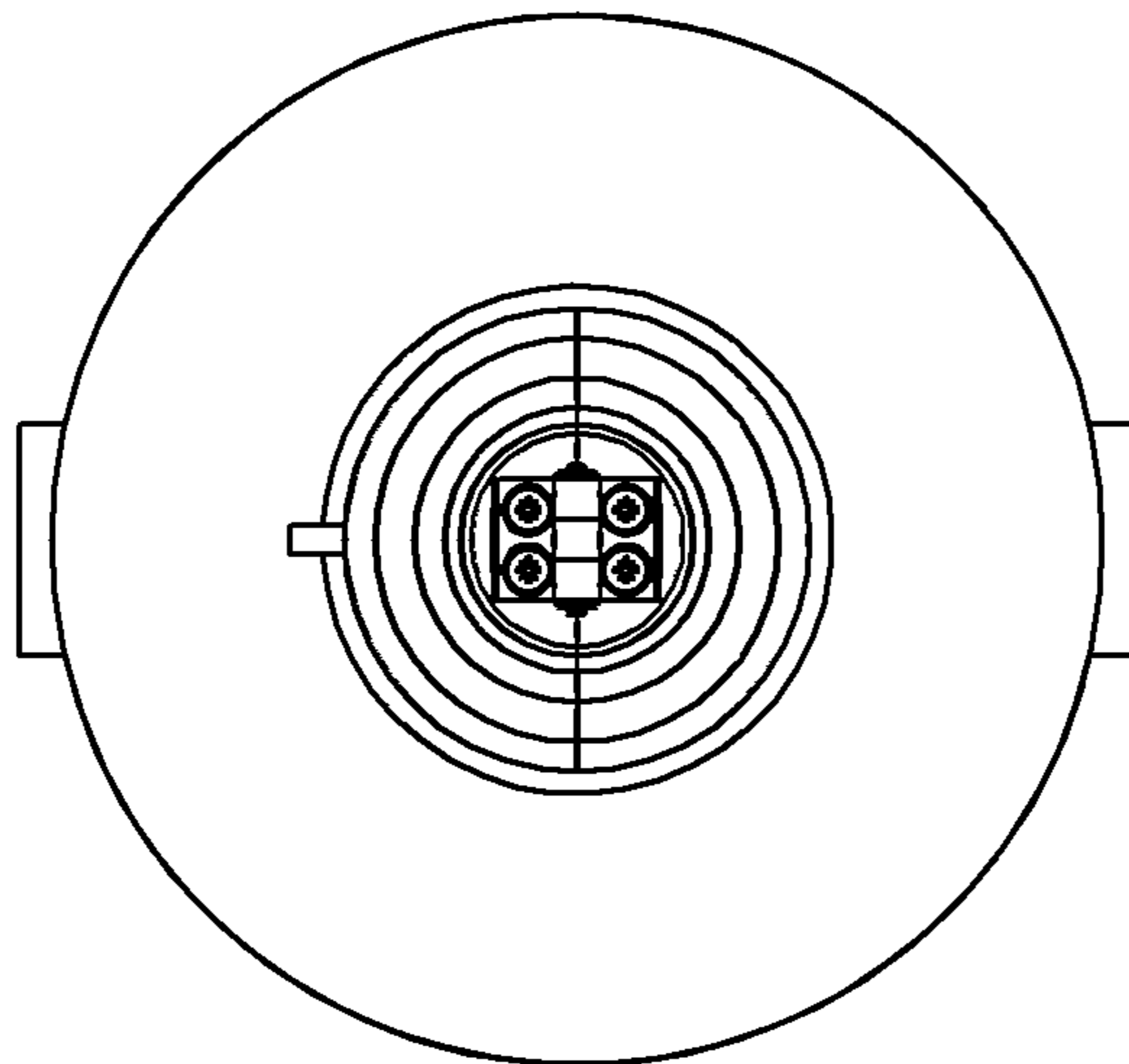


FIG. 4

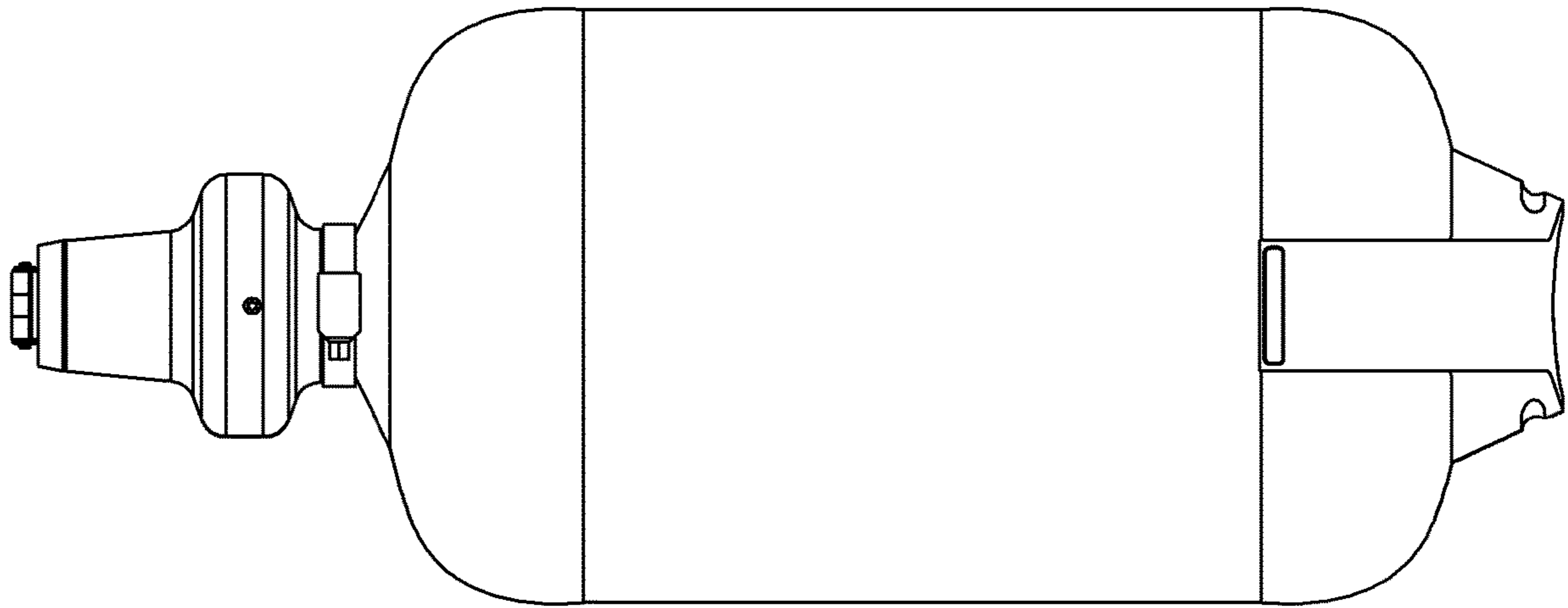


FIG. 5

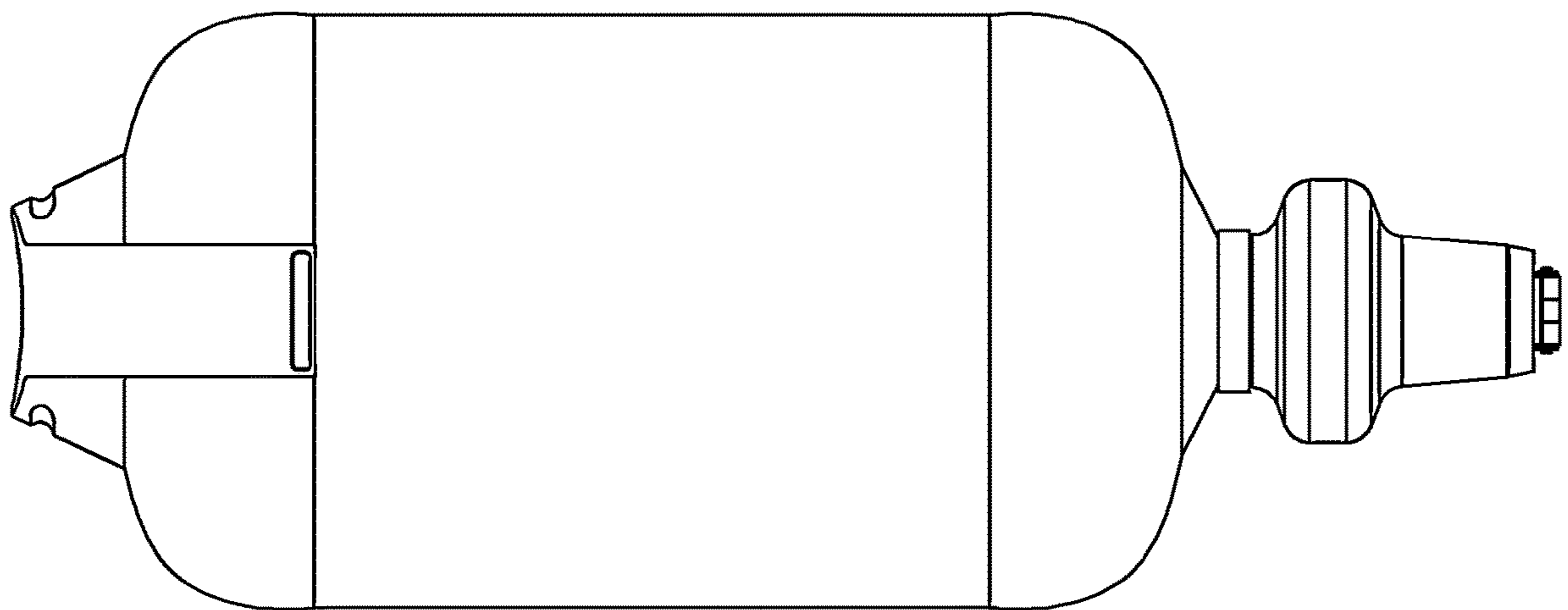


FIG. 6

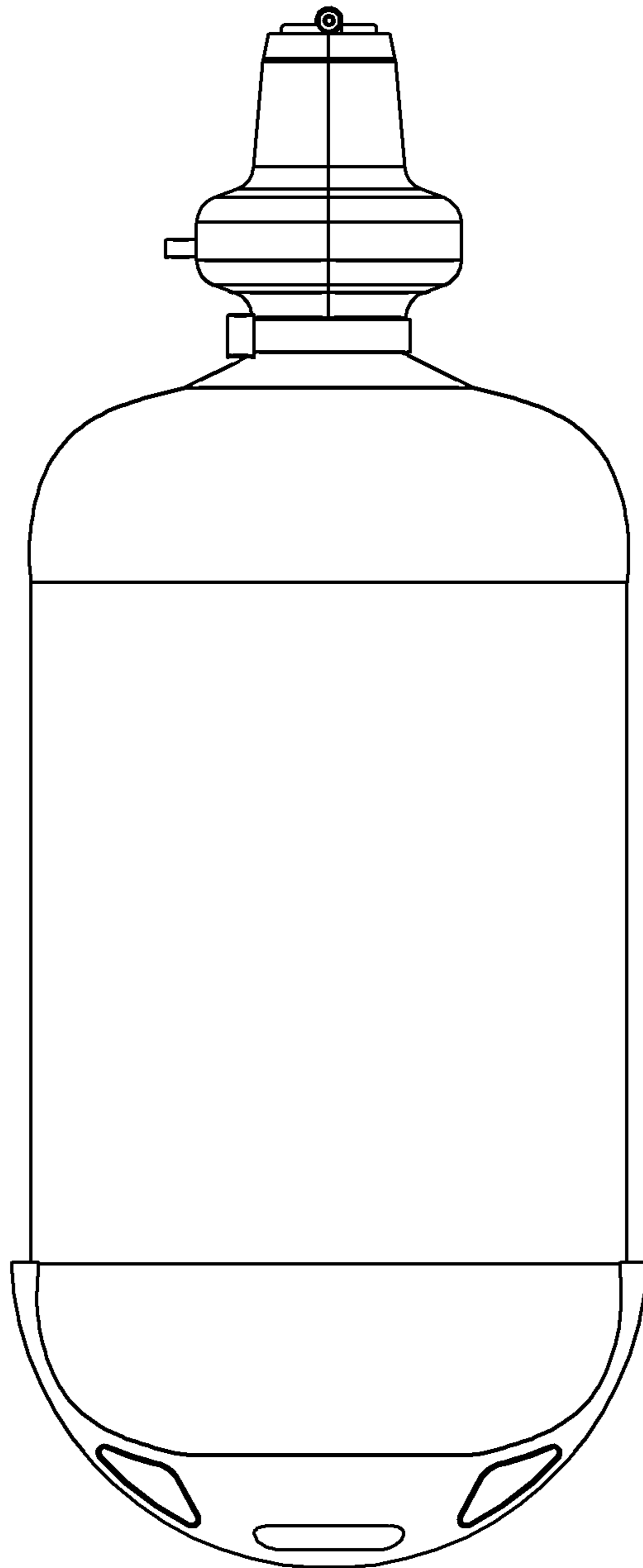


FIG. 7

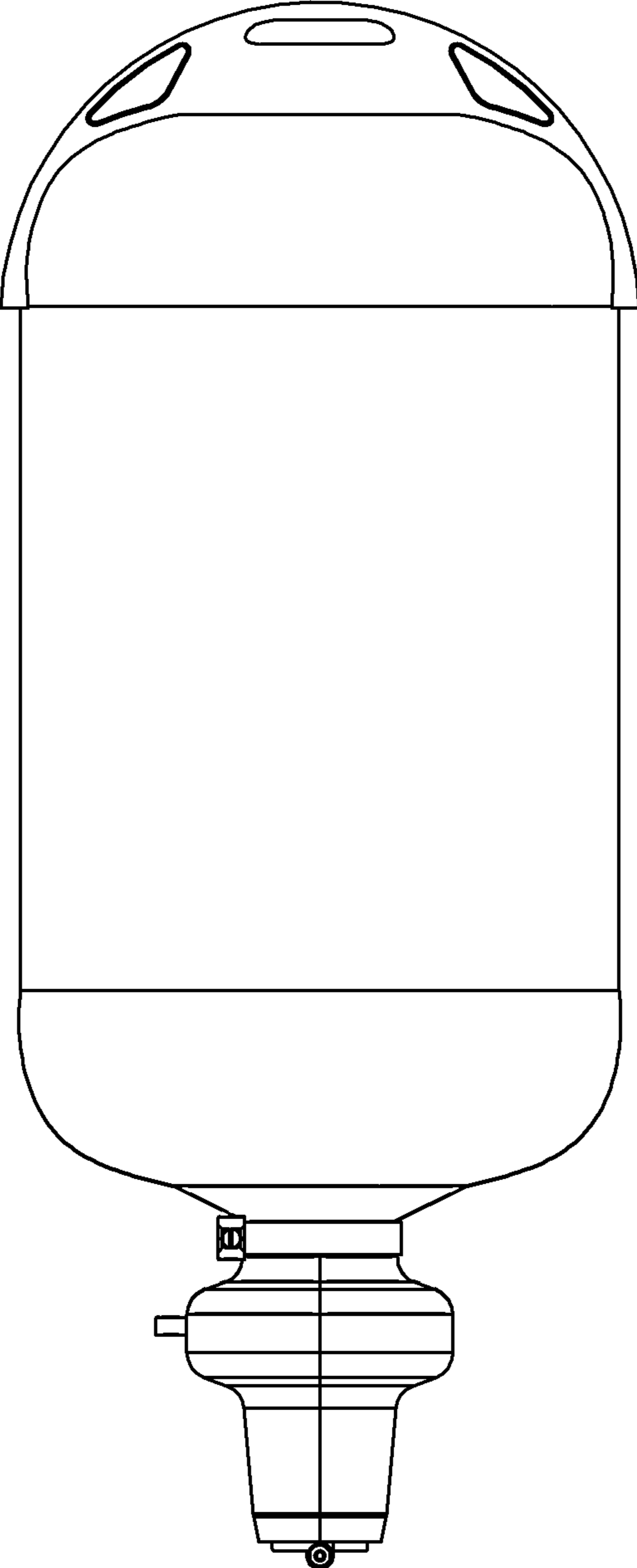


FIG. 8

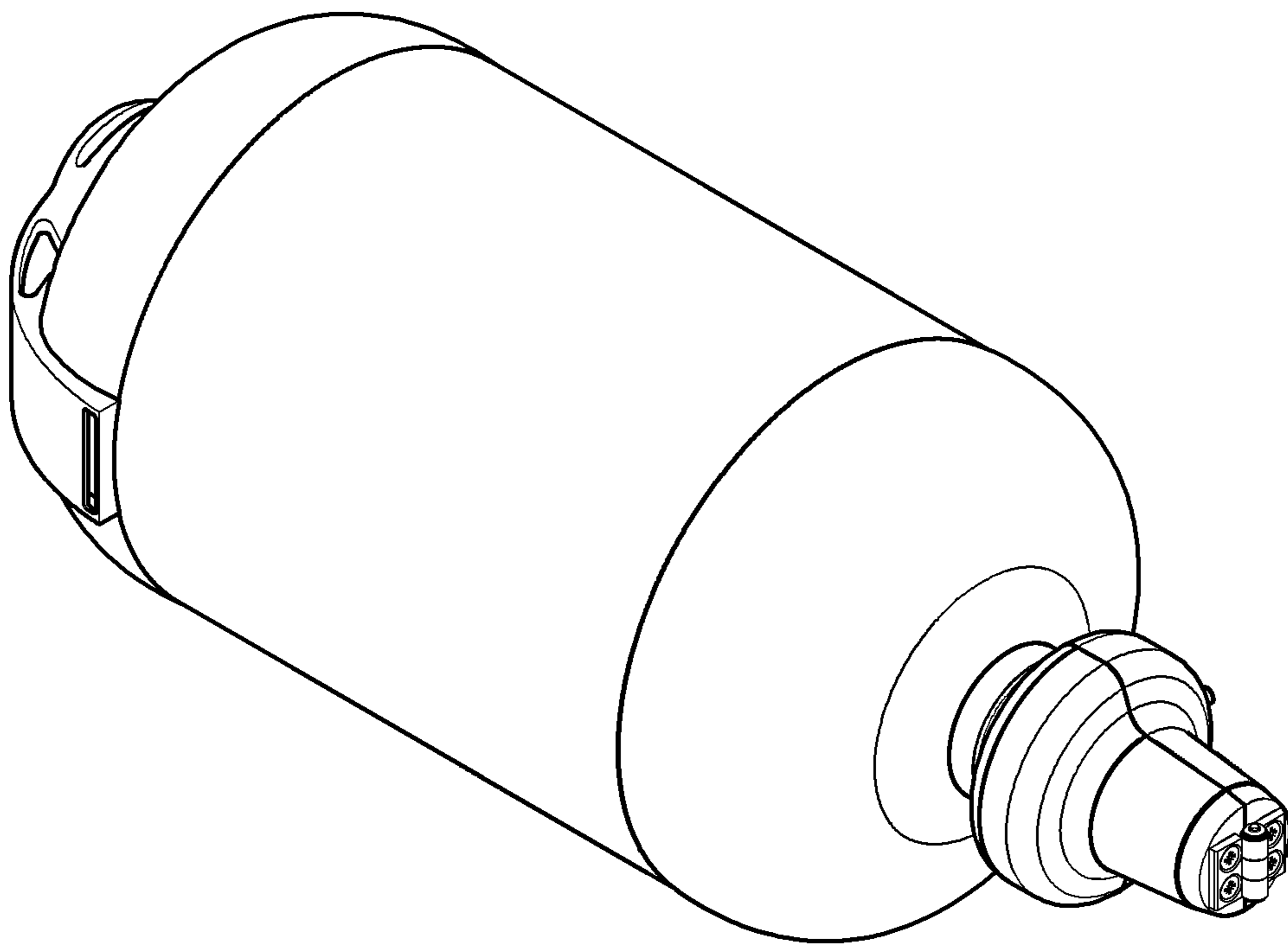


FIG. 9

