



US00D985458S

(12) **United States Design Patent** (10) **Patent No.:** **US D985,458 S**  
**Zhao** (45) **Date of Patent:** **\*\* May 9, 2023**

(54) **AUTOMOBILE WHEEL**  
(71) Applicant: **WAH HUNG GROUP INC.**, Monterey Park, CA (US)  
(72) Inventor: **John Zhao**, Monterey Park, CA (US)  
(73) Assignee: **Wah Hung Group, Inc.**, Monterey Park, CA (US)  
(\*\*) Term: **15 Years**

D855,003 S \* 7/2019 Zhang ..... D12/211  
D865,616 S \* 11/2019 Tran ..... D12/209  
D883,891 S \* 5/2020 Johnson ..... D12/209  
D934,769 S \* 11/2021 Sempek ..... D12/209  
D941,731 S \* 1/2022 Podlovits ..... D12/209  
D944,706 S \* 3/2022 Echazabal ..... D12/209

**FOREIGN PATENT DOCUMENTS**

CN 304967599 \* 12/2018  
CN 305260152 \* 7/2019  
CN 306010899 \* 8/2020  
CN 306560764 \* 5/2021

(21) Appl. No.: **29/767,143**  
(22) Filed: **Jan. 20, 2021**  
(51) **LOC (14) Cl.** ..... **12-16**  
(52) **U.S. Cl.**  
USPC ..... **D12/211**  
(58) **Field of Classification Search**  
USPC ..... D12/204–213; D21/563  
CPC .... B60B 7/00; B60B 7/02; B60B 7/04; B60B 7/06; B60B 3/02; B60B 3/04; B60B 3/06; B60B 3/10; B60B 1/00; B60B 1/08; B60B 1/10; B60B 1/12  
See application file for complete search history.

**OTHER PUBLICATIONS**

John Zhao's Patents, May 2018.  
Ernie Alfonso's Patents, May 2018.

\* cited by examiner

*Primary Examiner* — Darlington Ly  
*Assistant Examiner* — D. Ryan Tisdale  
(74) *Attorney, Agent, or Firm* — Payam Moradian

(57) **CLAIM**

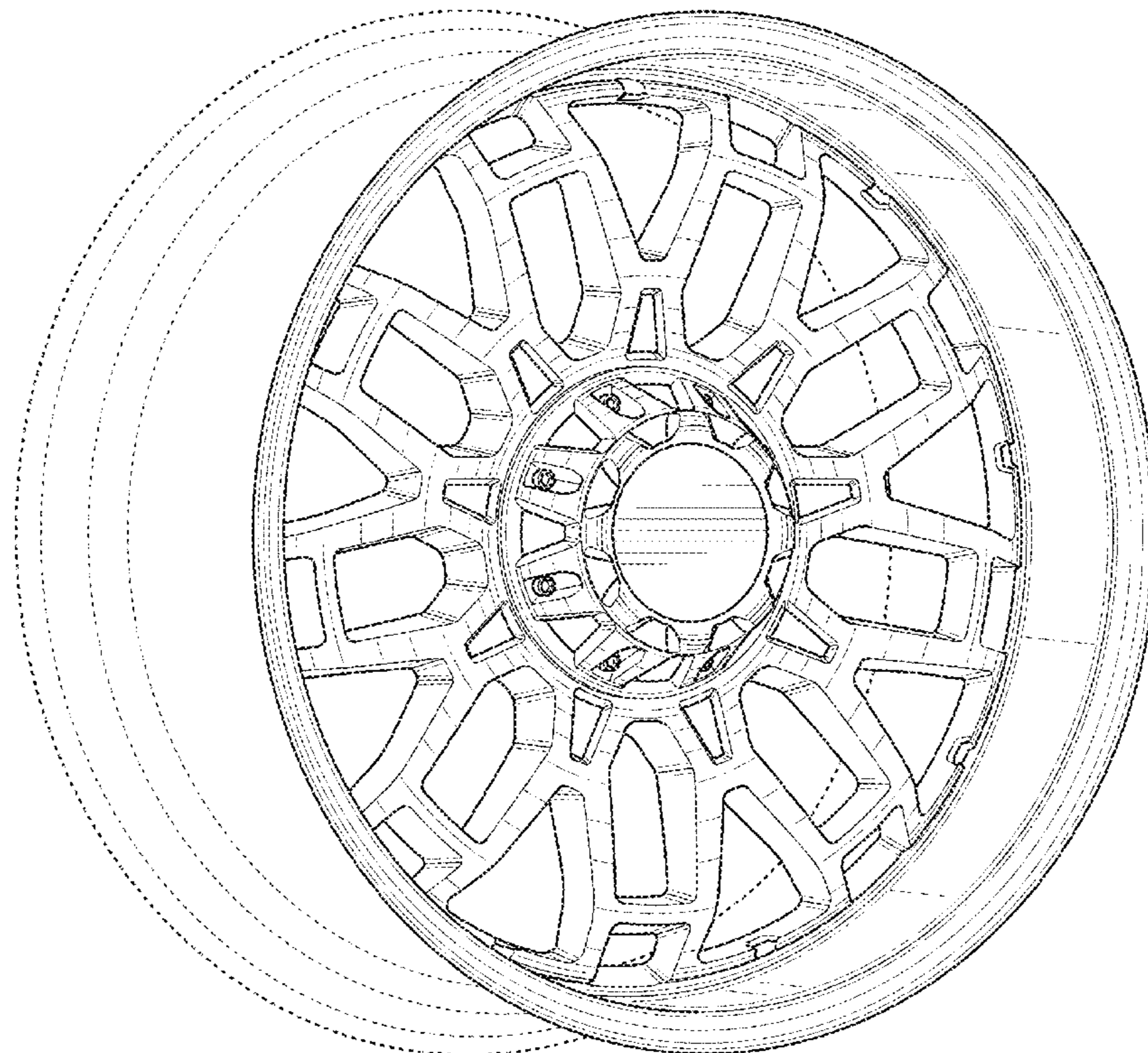
I claim the ornamental design for an automobile wheel, as shown and described.

**DESCRIPTION**

FIG. 1 is a front elevational view of an automobile wheel, showing my new design; and, FIG. 2 is a perspective view thereof. The broken lines in the drawings illustrate portions of the automobile wheel that form no part of the claimed design.

(56) **References Cited**  
**U.S. PATENT DOCUMENTS**  
3,915,502 A \* 10/1975 Connell ..... B60B 7/065  
301/37.11  
D825,423 S \* 8/2018 Henderson ..... D12/209  
D833,945 S \* 11/2018 Henderson ..... D12/209  
D848,926 S \* 5/2019 Tran ..... D12/209

**1 Claim, 2 Drawing Sheets**



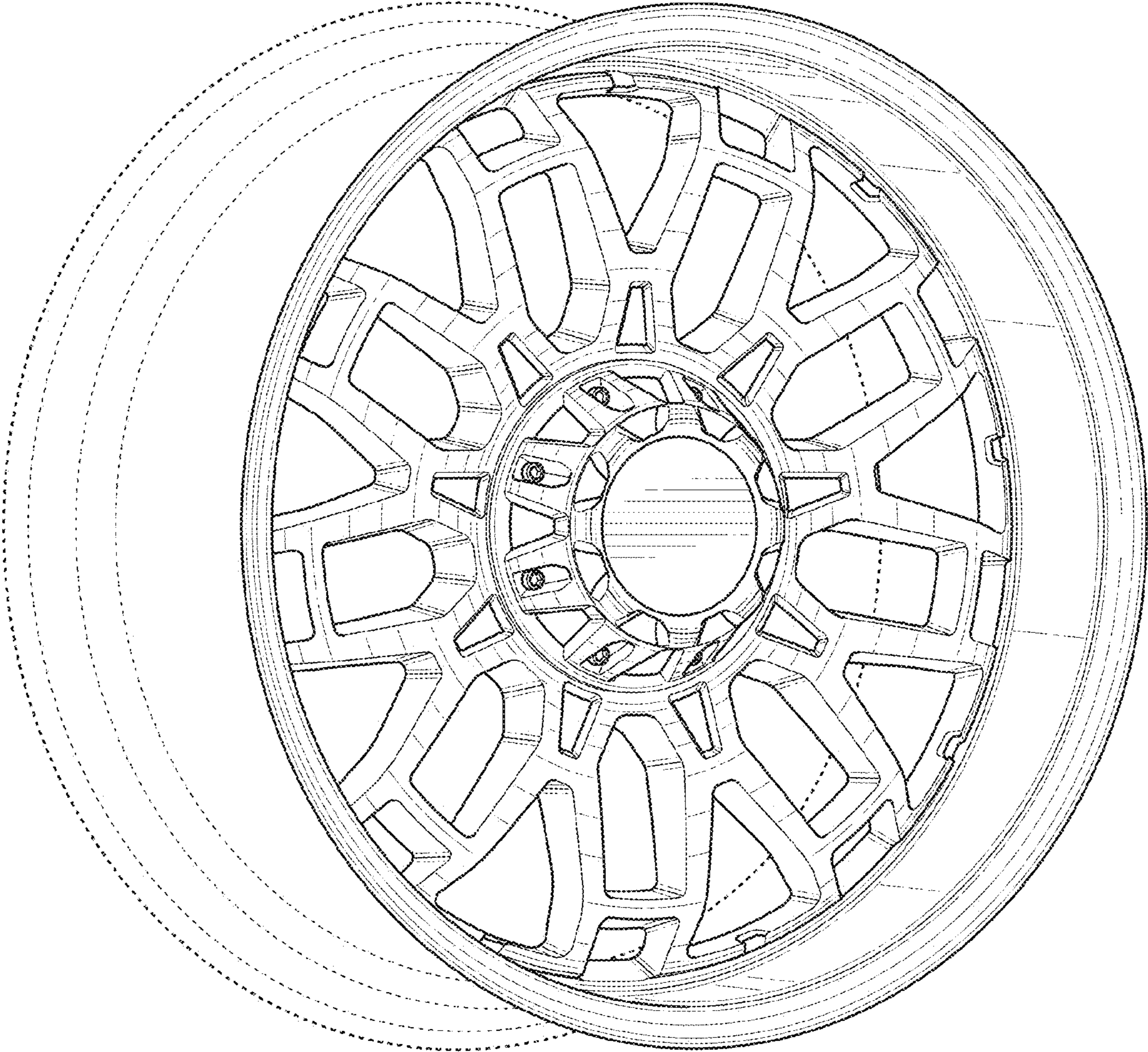


FIG. 1

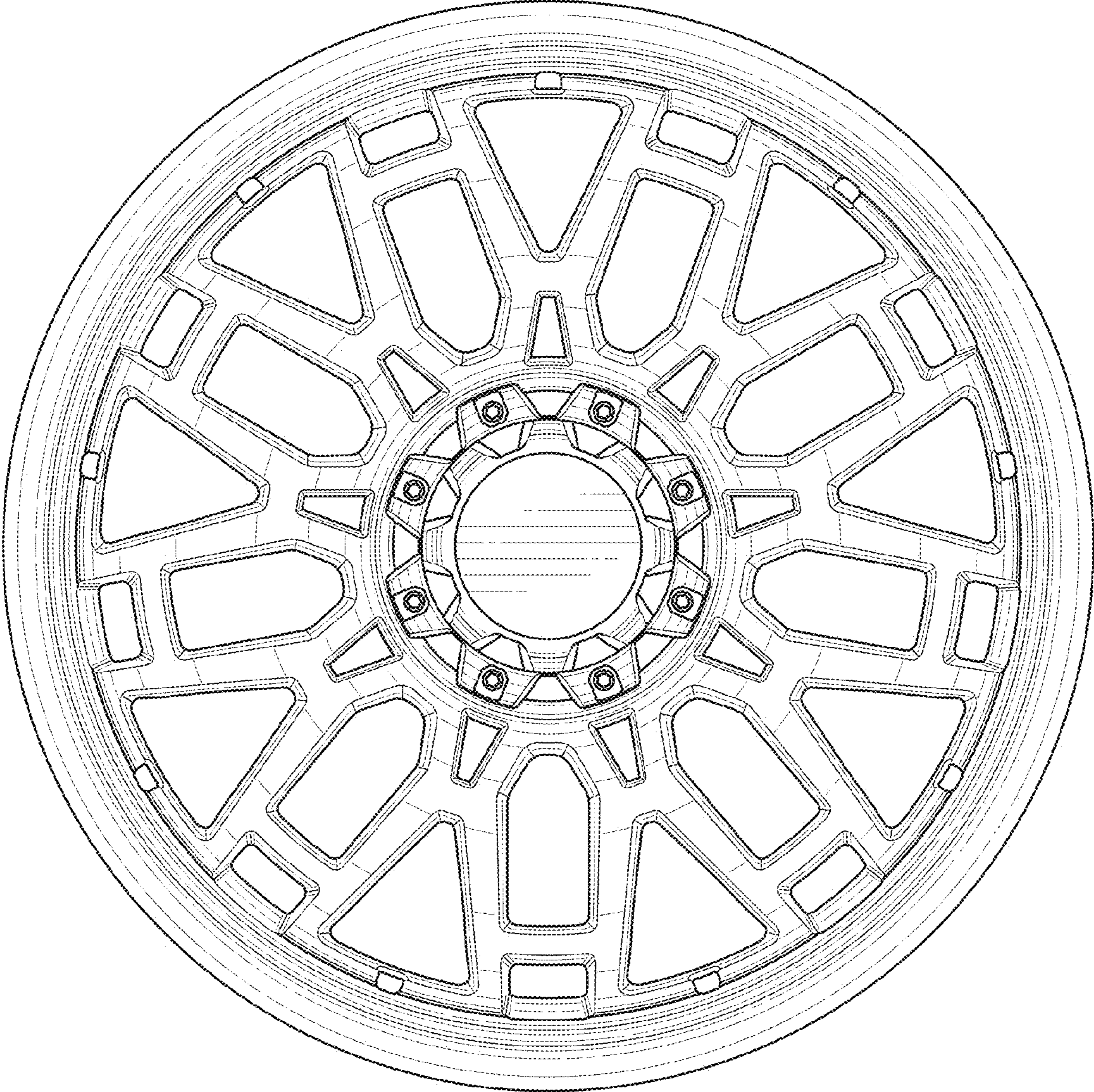


FIG. 2