



US00D985457S

(12) **United States Design Patent**
Hans et al.

(10) **Patent No.:** **US D985,457 S**

(45) **Date of Patent:** **** May 9, 2023**

(54) **WHEEL OR WHEEL COVER**

(71) Applicant: **Daimler AG**, Stuttgart (DE)

(72) Inventors: **Bernhard Hans**, Kirchberg (DE);
Markus Wachter, Ludwigsburg (DE)

(73) Assignee: **Mercedes-Benz Group AG**, Stuttgart (DE)

(**) Term: **15 Years**

(21) Appl. No.: **29/812,957**

(22) Filed: **Oct. 26, 2021**

(30) **Foreign Application Priority Data**

Apr. 27, 2021 (DE) 402021201882.8

(51) **LOC (14) Cl.** **12-16**

(52) **U.S. Cl.**
USPC **D12/211**

(58) **Field of Classification Search**
USPC D12/204–213; D21/563
CPC B60B 7/00; B60B 7/02; B60B 7/04; B60B 7/01; B60B 7/06; B60B 3/02; B60B 3/04; B60B 3/06; B60B 3/10; B60B 1/00; B60B 1/08; B60B 1/10; B60B 1/12
See application file for complete search history.

(56) **References Cited**

U.S. PATENT DOCUMENTS

D582,328 S * 12/2008 Hieke D12/209
D585,803 S * 2/2009 Hieke D12/209
D604,222 S * 11/2009 Krisch D12/211
D618,150 S * 6/2010 Hilpert D12/209
D638,772 S * 5/2011 Hans D12/211

D649,922 S * 12/2011 Hans D12/211
D666,956 S * 9/2012 Hermann D12/211
D671,063 S * 11/2012 Hilpert D12/211
D676,795 S * 2/2013 Wachter D12/211
D755,103 S * 5/2016 Hans D12/211
D758,277 S * 6/2016 Alfonso D12/211
D780,664 S * 3/2017 Gallert D12/211
D791,035 S * 7/2017 Palana D12/209
D803,748 S * 11/2017 English D12/209
D840,898 S * 2/2019 Wittinger D12/209
D850,346 S 6/2019 Hans et al.
D889,358 S * 7/2020 Williams D12/209
D908,579 S * 1/2021 Badstuebner D12/209
D918,116 S * 5/2021 Ma D12/209
D961,485 S * 8/2022 Hilpert B60B 3/02
D12/211
2014/0152079 A1 * 6/2014 Vickers B60B 7/06
301/37.102

* cited by examiner

Primary Examiner — Calvin E Vansant

(74) *Attorney, Agent, or Firm* — Crowell & Moring LLP

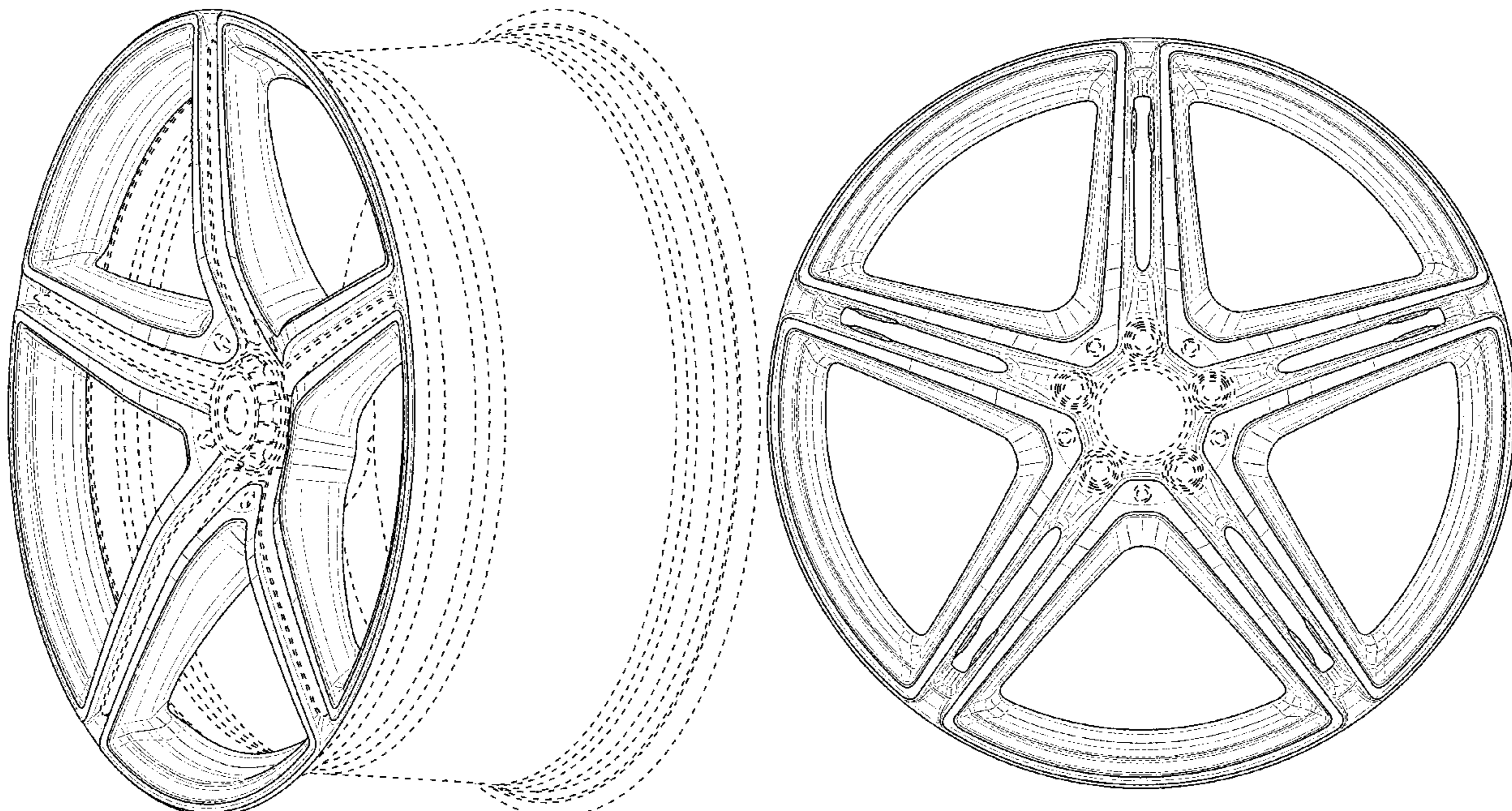
(57) **CLAIM**

The ornamental design for a wheel or wheel cover, as shown and described.

DESCRIPTION

FIG. 1 is a perspective view of a wheel or wheel cover according to the design;
FIG. 2 is a front view thereof; and,
FIG. 3 is a front view thereof, with the wheel hub cover shown in broken lines in FIGS. 1 and 2, removed.
The broken lines in the drawings illustrate environmental subject matter only and form no part of the claimed design.
Also enclosed is a set of photographs of an embodiment of the design.

1 Claim, 3 Drawing Sheets



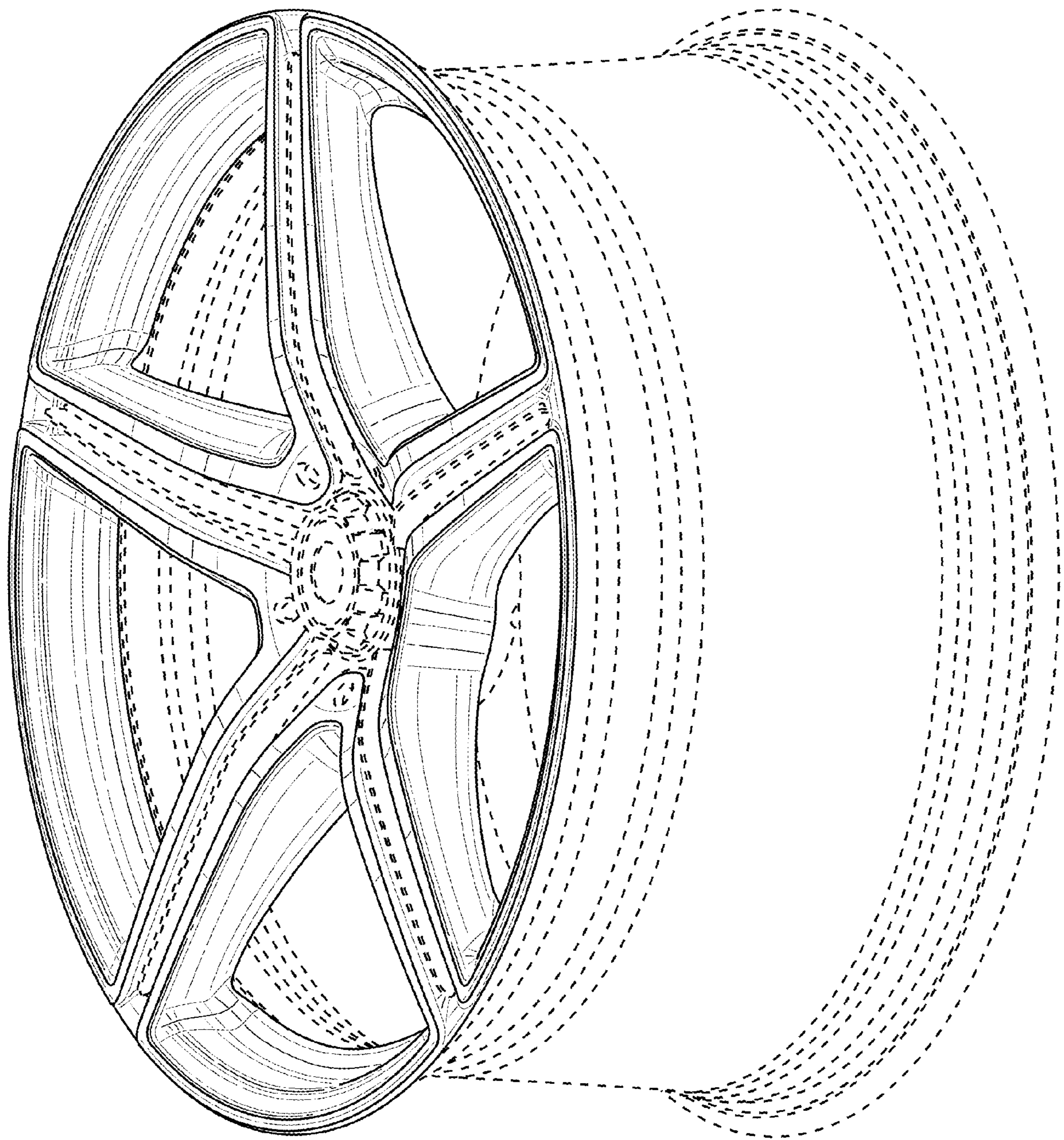


FIG. 1

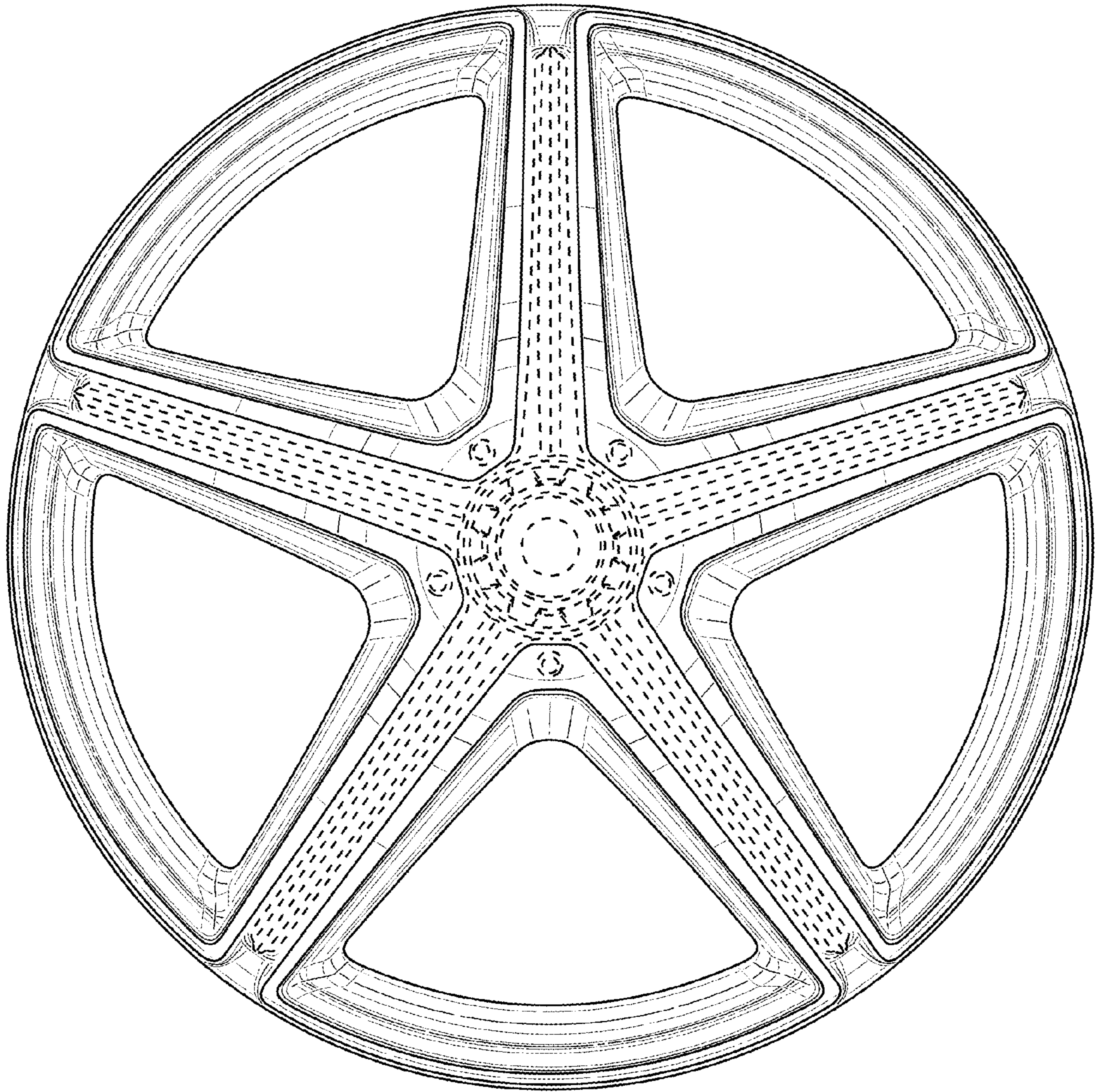


FIG. 2

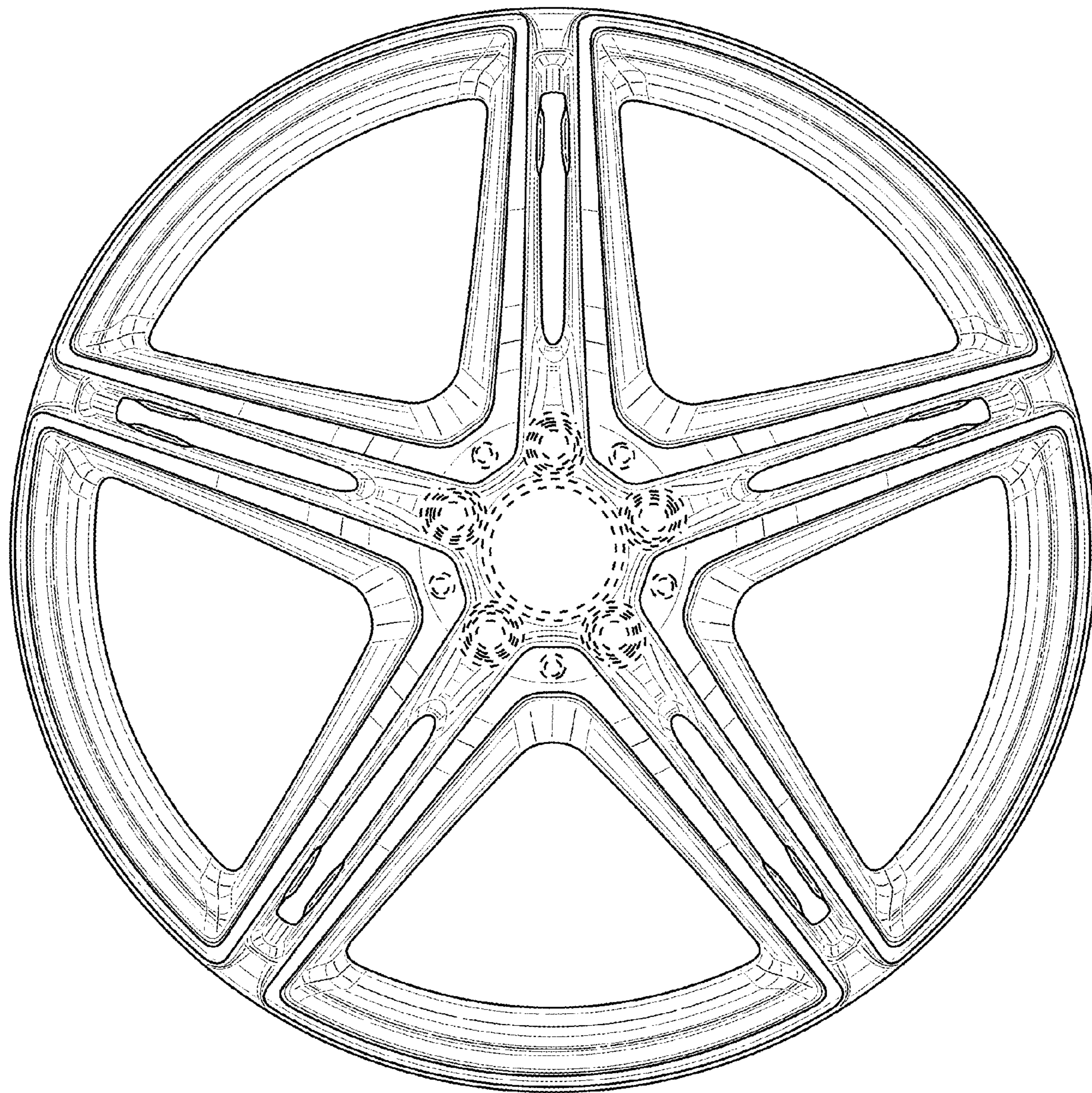


FIG. 3